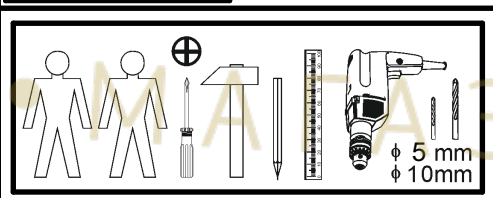
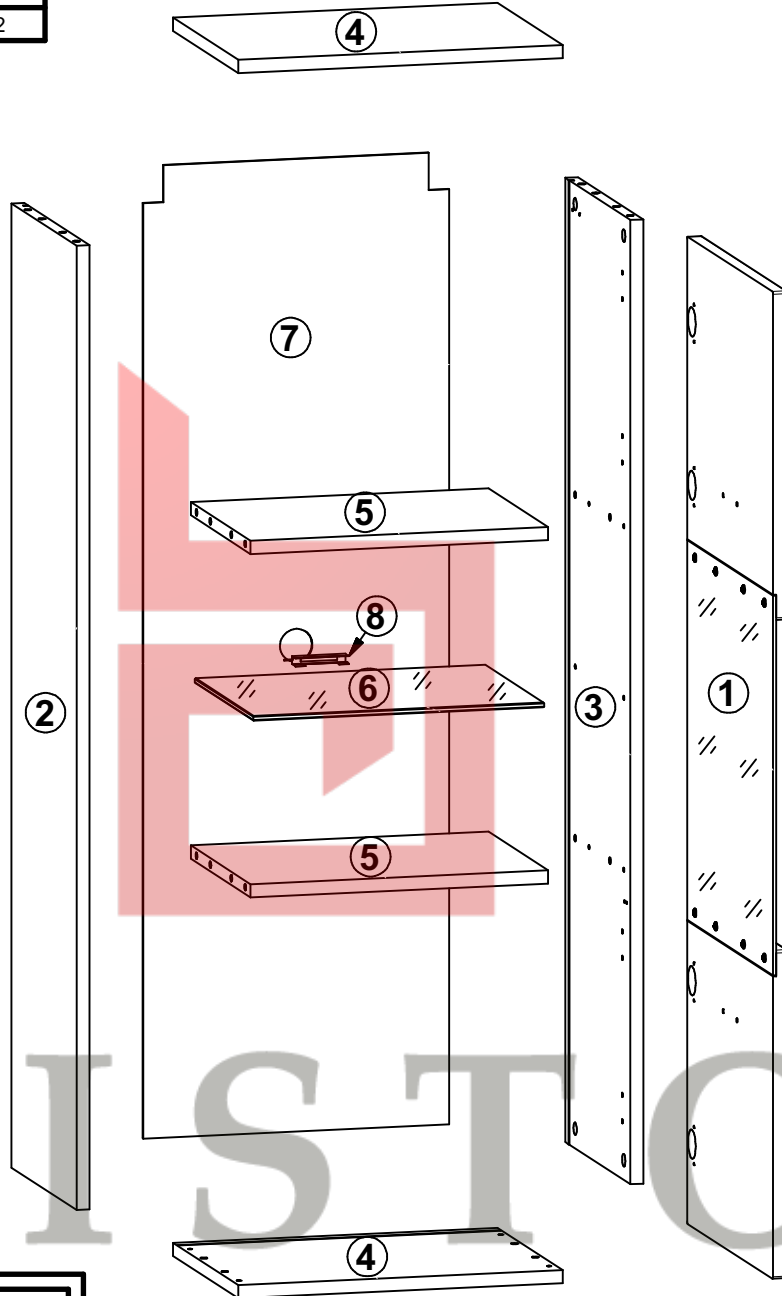
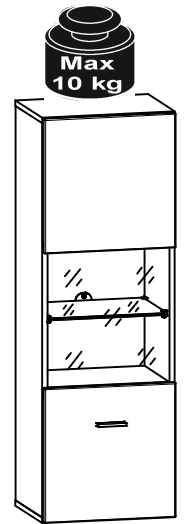
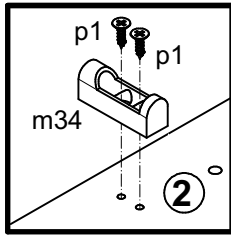
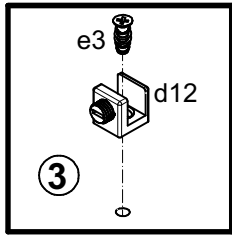
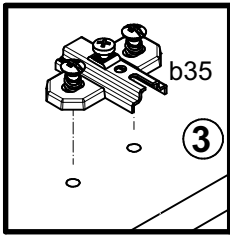
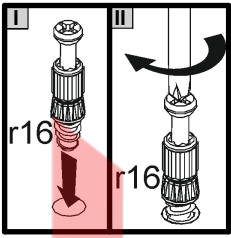
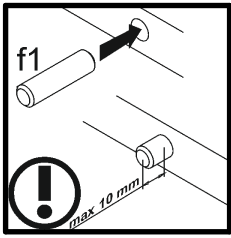
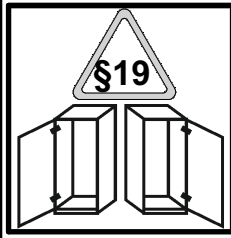
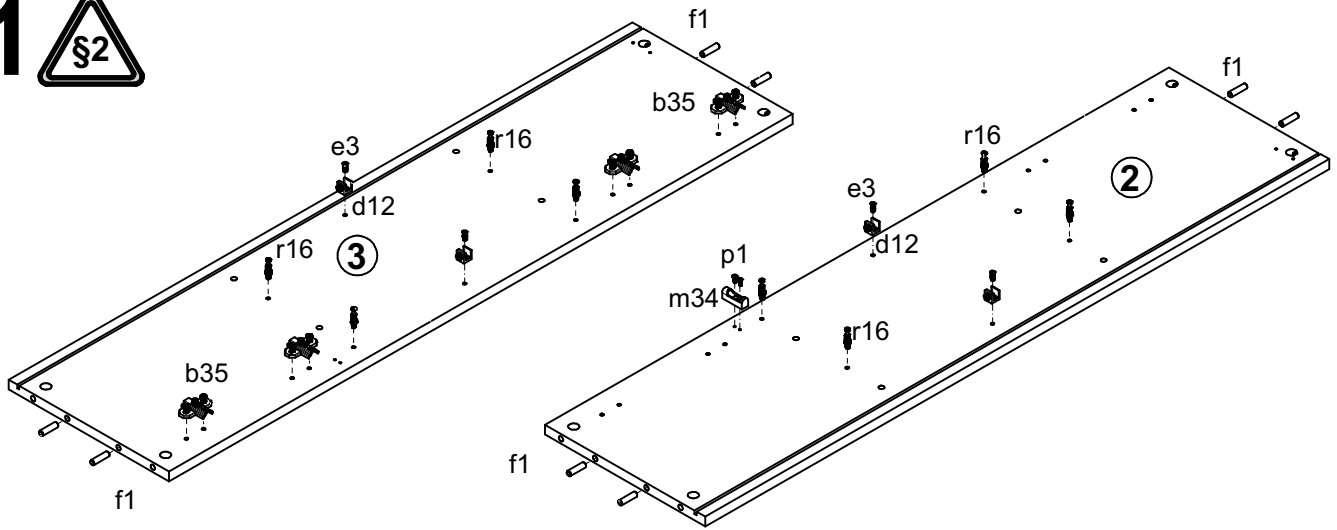


A	B	C		D
1	S92-001	1196	396	2/2
2	S92-1103	1168	300	1/2
3	S92-1104	1168	300	1/2
4	S92-203B	400	300	1/2
5	S92-301A	367	275	1/2
6	S92-302A	359	269	1/2
7	S92-901A	1178	377	2/2
8	qa70\1	LED		1/2

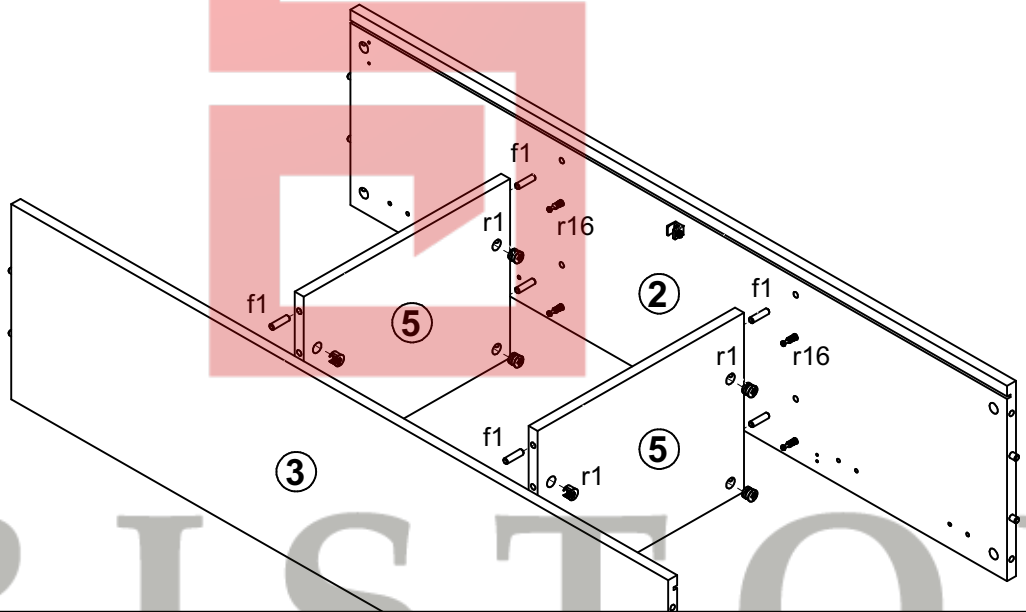
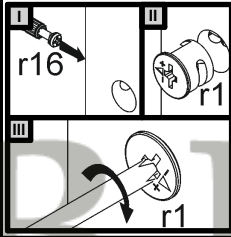
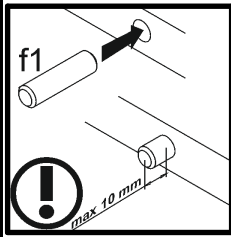


4x a44	4x b35	1x L-84mm c253\2	4x d12	4x φ6x13 mm e3	16x φ8x30 mm f1	4x φ10x50 mm f35	10x I1	8x I2
1x m32	1x m34	2x n122	2x n10	2x φ3,5x13 mm p1	4x φ4x30 mm p21	8x φ3,5x15 mm p51	4x φ5x60 mm p17	2x φ4x30 mm p9
16x φ1,5x12mm #16 r1	16x r16	14x ø16 s2	1x s53					

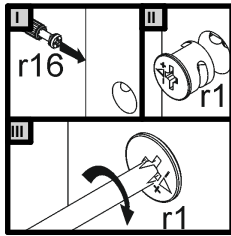
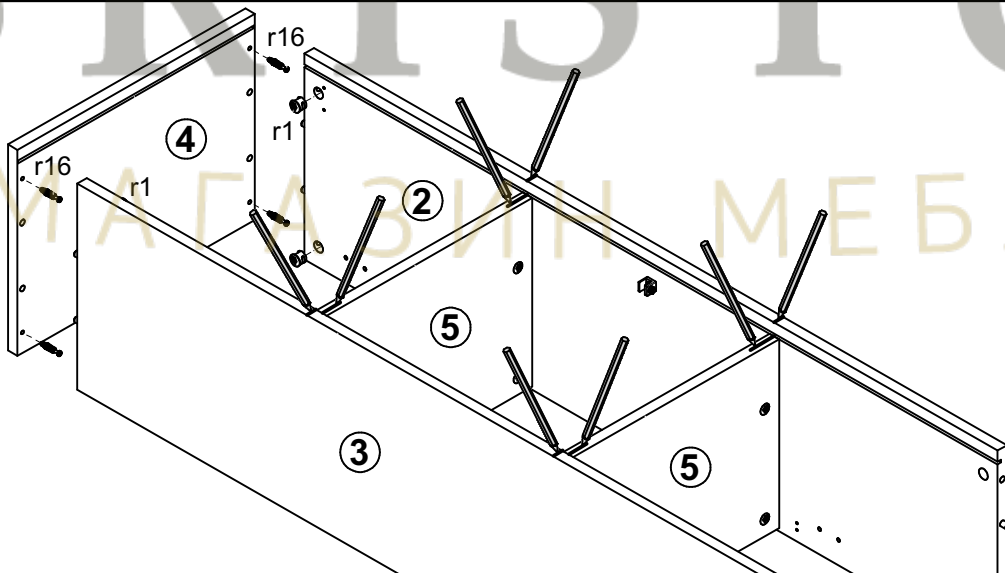
1



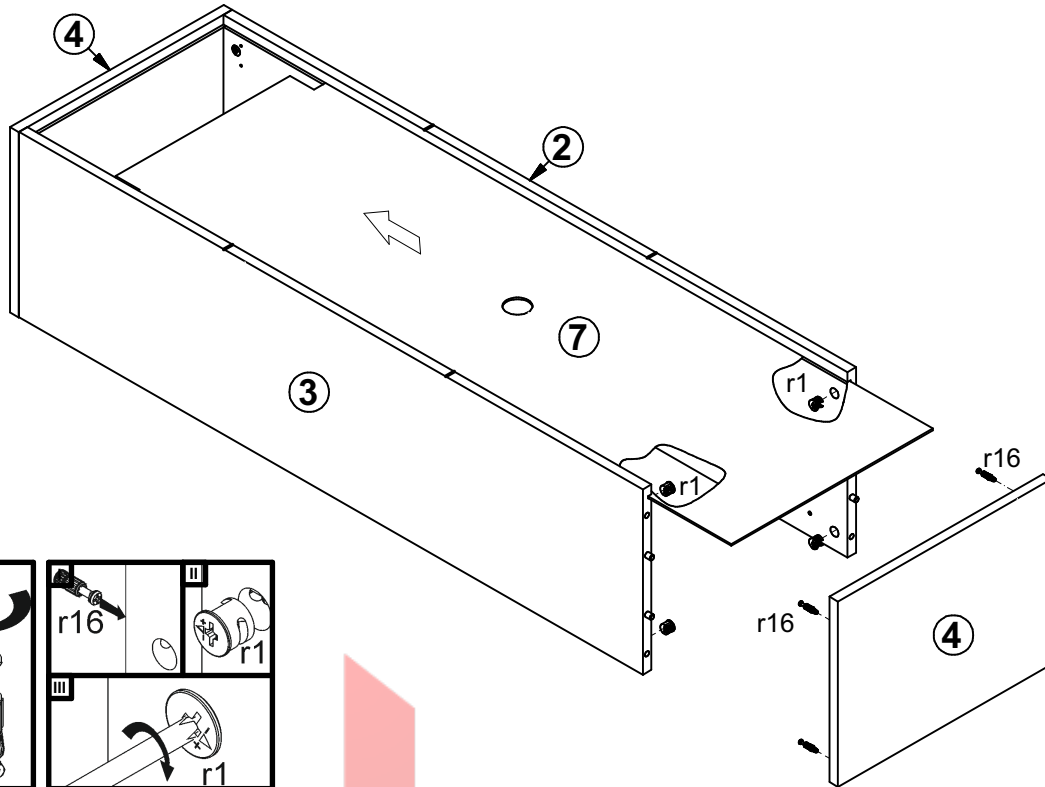
2



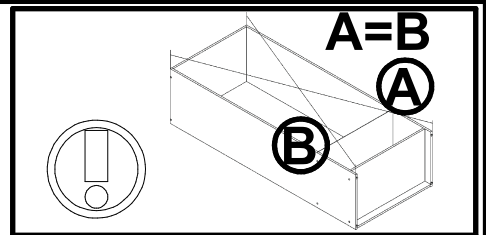
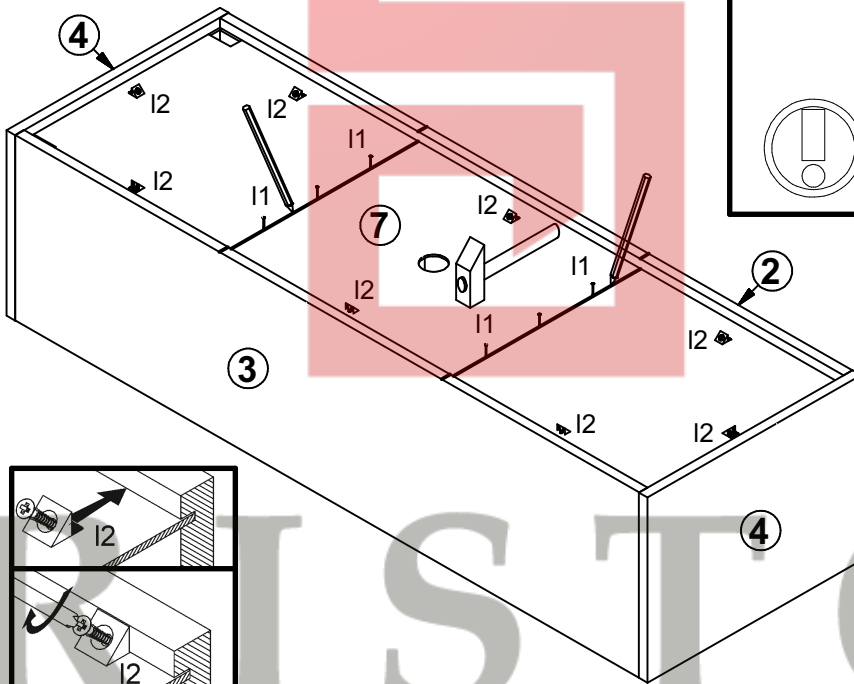
3



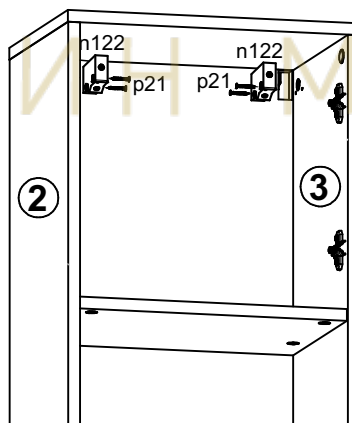
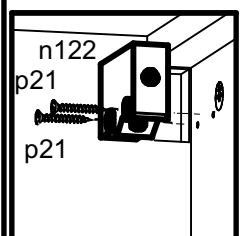
4



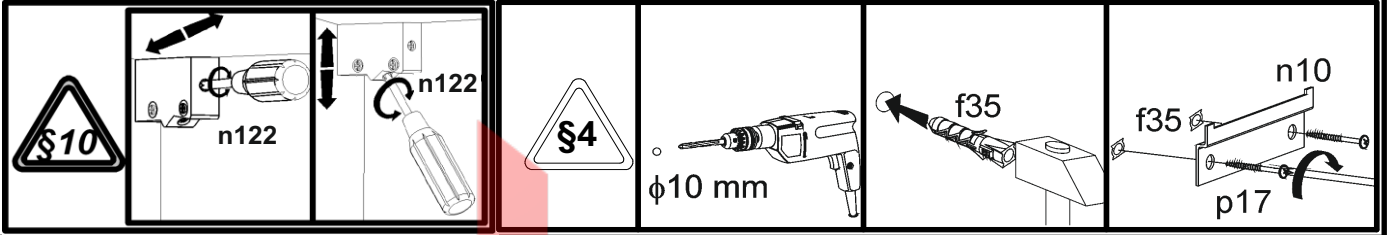
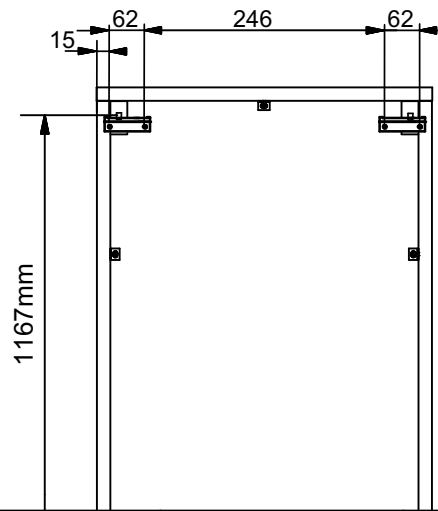
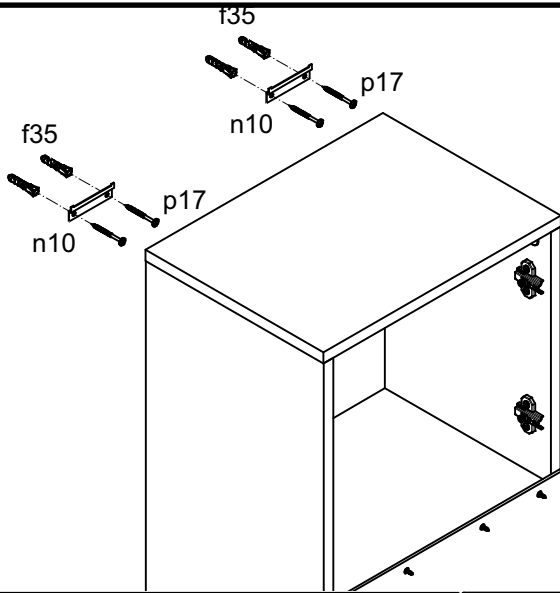
5



6



7



8

§11

