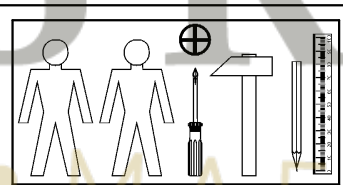
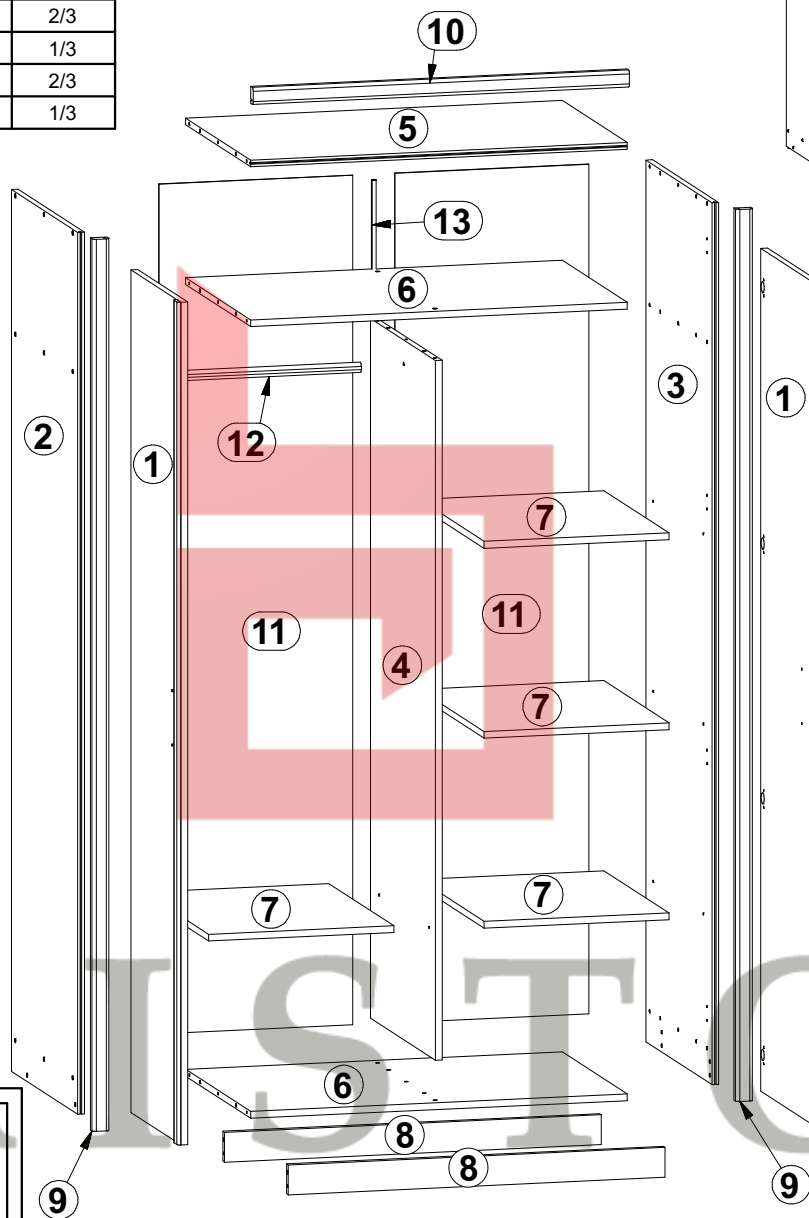
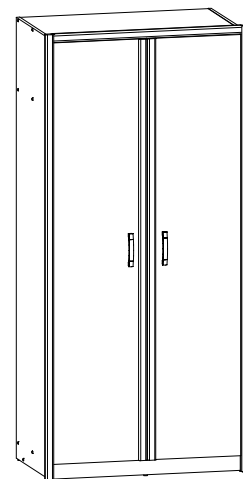


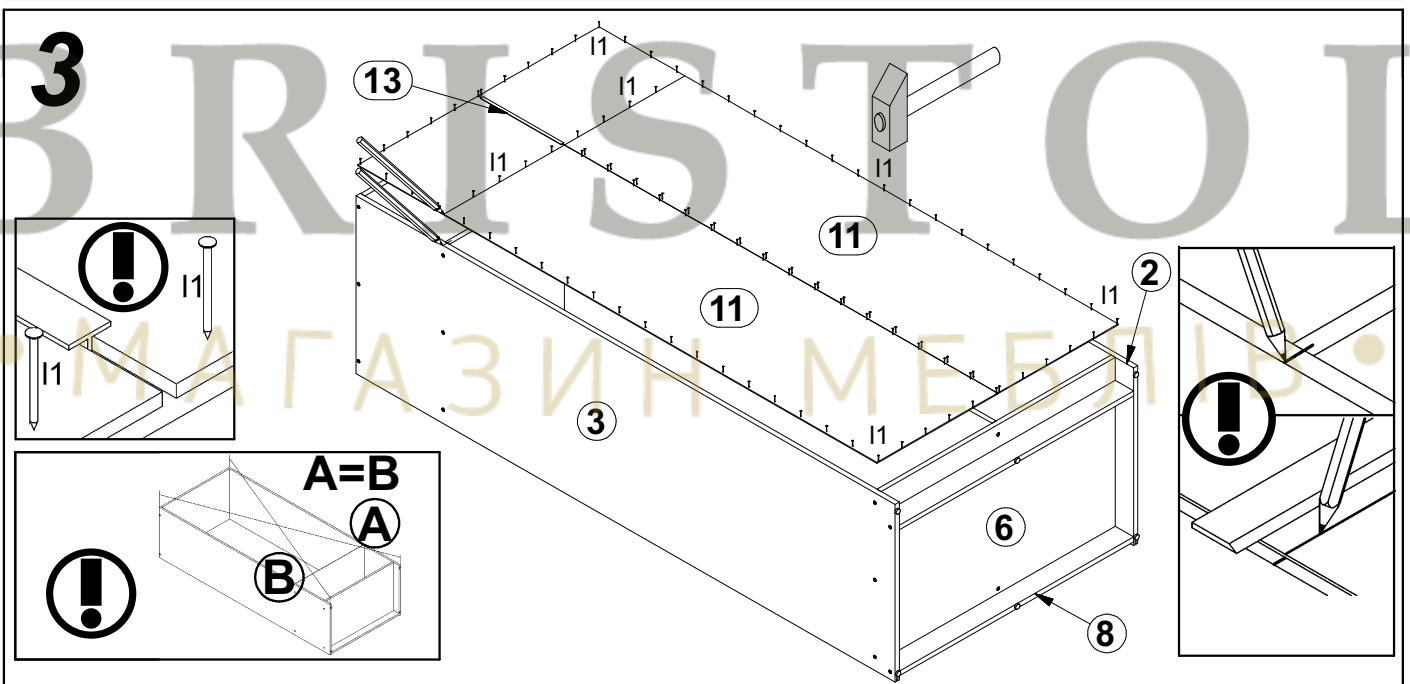
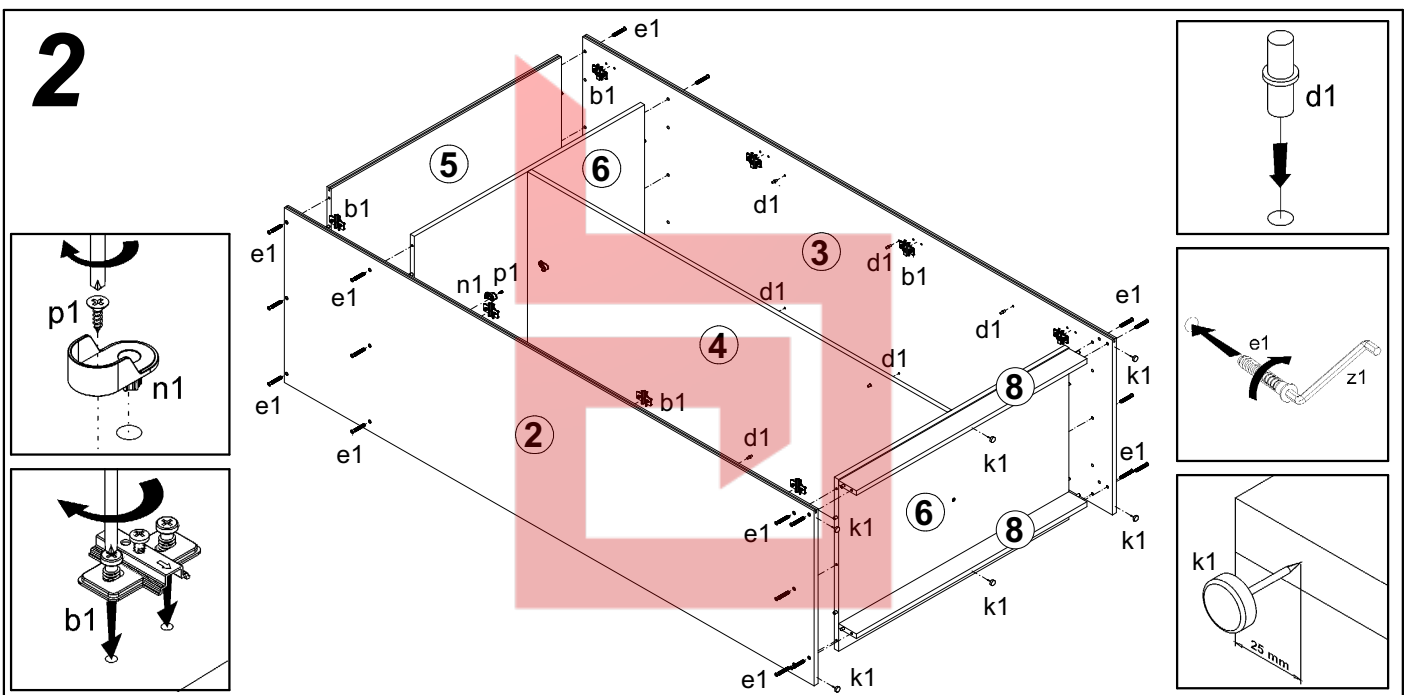
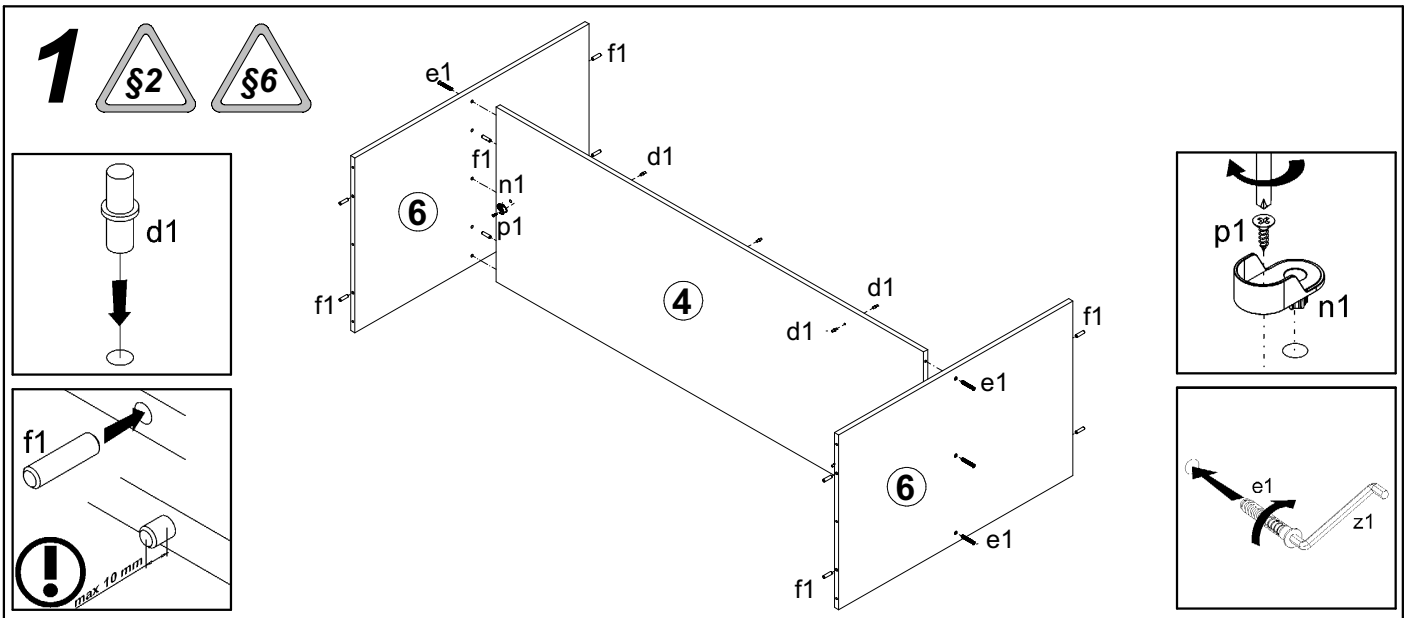
# ВАЛЕРІЯ / ВАЛЕРИЯ

Шафа / Шкаф 2d - V\_06

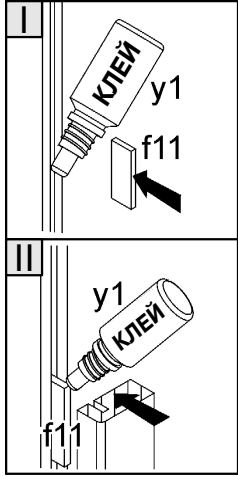
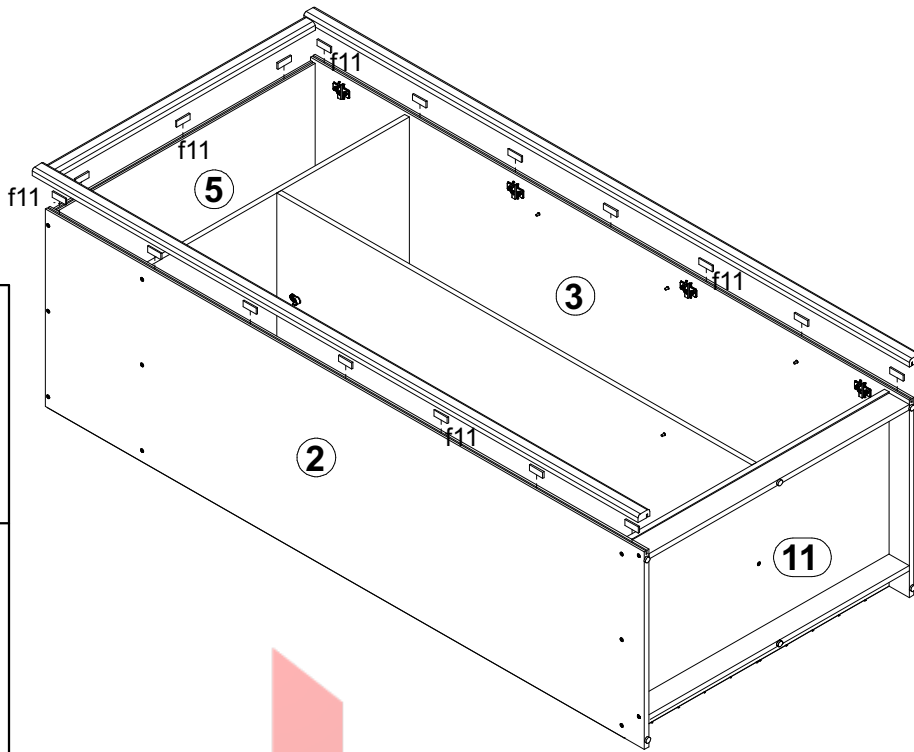
| A  | B       | C    |     | D   |
|----|---------|------|-----|-----|
| 1  | V90-005 | 2098 | 445 | 3/3 |
| 2  | V90-101 | 2190 | 590 | 1/3 |
| 3  | V90-105 | 2190 | 590 | 1/3 |
| 4  | V90-124 | 1762 | 580 | 1/3 |
| 5  | V90-301 | 900  | 580 | 2/3 |
| 6  | V90-303 | 900  | 580 | 2/3 |
| 7  | V90-318 | 442  | 580 | 2/3 |
| 8  | V90-401 | 900  | 70  | 2/3 |
| 9  | V90-507 | 2214 | 40  | 1/3 |
| 10 | V90-508 | 899  | 40  | 2/3 |
| 11 | V90-901 | 2114 | 463 | 1/3 |
| 12 | dr-437  | 437  | 24  | 2/3 |
| 13 | lh-309  | 309  | 14  | 1/3 |



|            |                 |                  |                  |                 |                           |              |                |
|------------|-----------------|------------------|------------------|-----------------|---------------------------|--------------|----------------|
| 8x         | 8x              | 16x<br>φ5x17 mm  | 28x<br>φ7x50 mm  | 20x<br>φ8x30 mm | 22x<br>46x18x4 mm         | 6x           | 105x           |
| 2x         | 1x              | 2x<br>φ3,5x13 mm | 1x<br>φ3,5x16 mm | 25x             | 4x<br>φ5                  | 12x<br>φ8    | 1x             |
| 1x<br>Клей | Каштан / Талшын |                  | 2x               | 4x<br>φ4x30 mm  | Вільха / Ольха<br>Қарағаш | 2x<br>128 mm | 4x<br>M4x22 mm |



# 4



# 5

