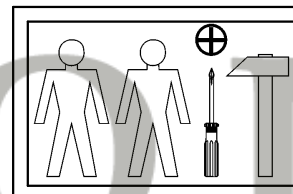
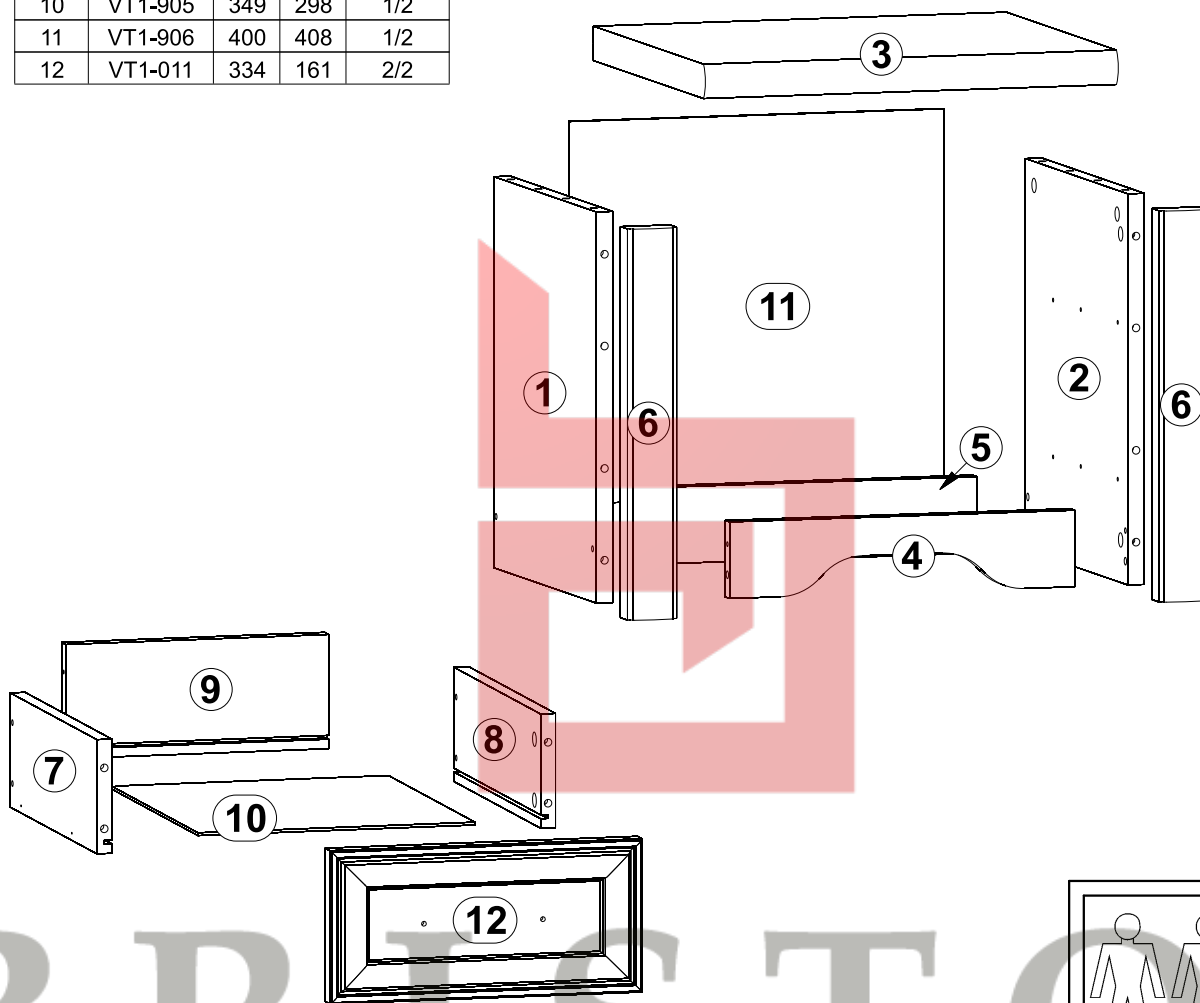
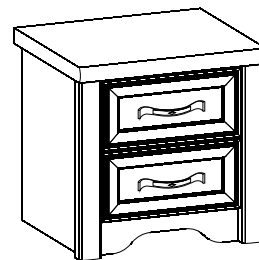
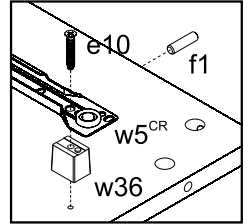
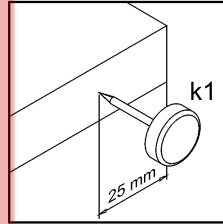
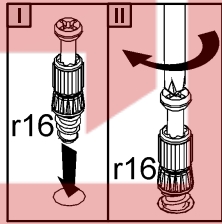
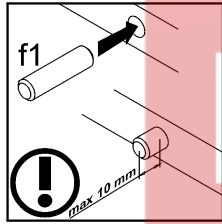
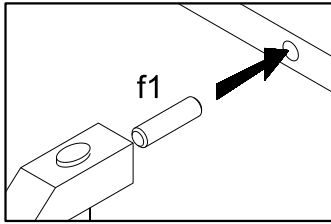
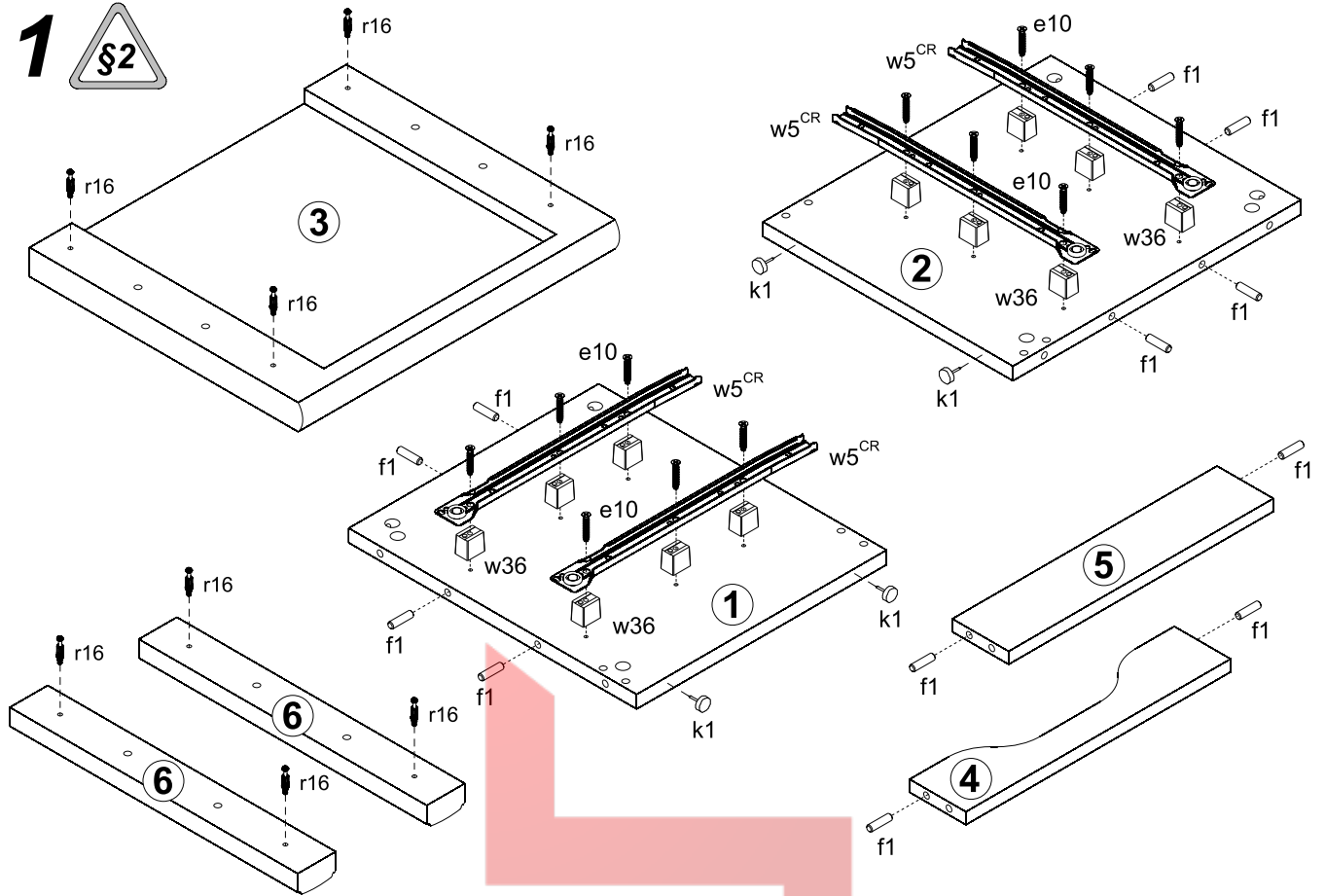


| A | B | C | | D |
|----|---------|-----|-----|-----|
| 1 | VT1-106 | 409 | 355 | 1/2 |
| 2 | VT1-107 | 409 | 355 | 1/2 |
| 3 | VT1-204 | 450 | 395 | 1/2 |
| 4 | VT1-411 | 376 | 80 | 1/2 |
| 5 | VT1-410 | 376 | 80 | 1/2 |
| 6 | VT1-517 | 409 | 54 | 1/2 |
| 7 | VT1-512 | 350 | 120 | 1/2 |
| 8 | VT1-513 | 350 | 120 | 1/2 |
| 9 | VT1-514 | 283 | 120 | 1/2 |
| 10 | VT1-905 | 349 | 298 | 1/2 |
| 11 | VT1-906 | 400 | 408 | 1/2 |
| 12 | VT1-011 | 334 | 161 | 2/2 |

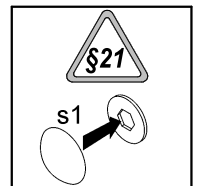
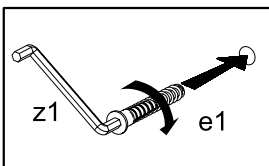
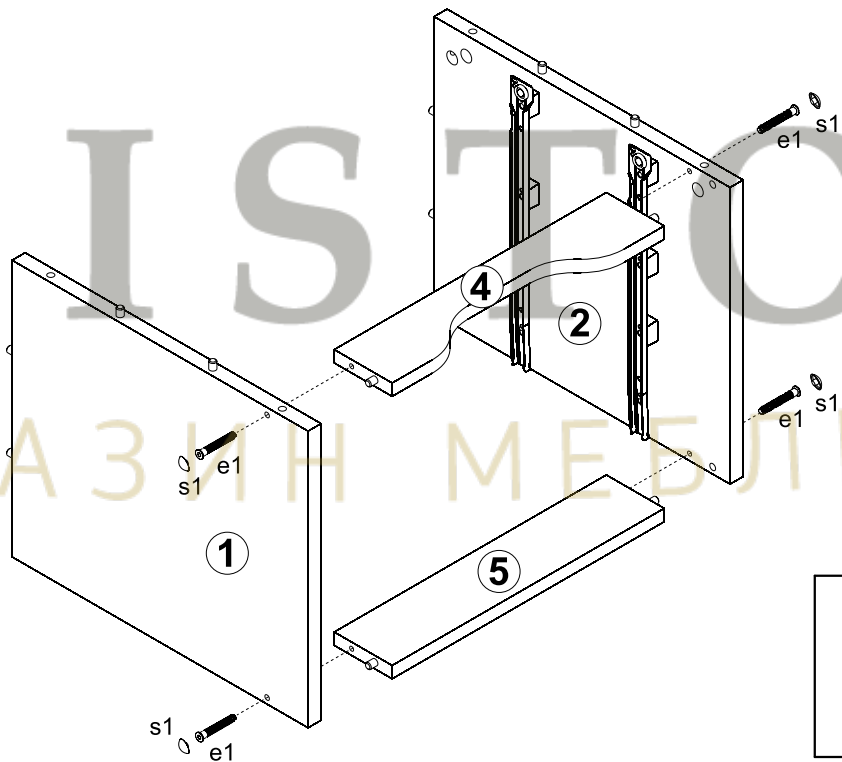


| | | | | | |
|--|---------------------------------|-------------------------------------|--|--|--|
| 2x c400 | 4x Ø7x50 mm e1 | 12x Ø6,0x33 mm e10 | 8x Ø5x50 mm e32 | 12x Ø8x30mm f1 | 4x M4x14 mm j29 |
| 4x k1 | 15x l1 | 3x Ø3,5x16 mm p38 | 8x Ø3x12 mm p54 | 16x Ø15 #16 r1 | 16x r16 |
| 4x s1 | 10x s2 | 12x w36 | 2x 350mm w45^{DR} | 2x 350mm w45^{CR} | 2x 350mm w45^{DL} |
| 2x 350mm w45^{CL} | 1x z1 | | | | |

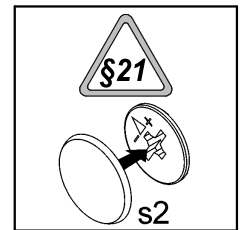
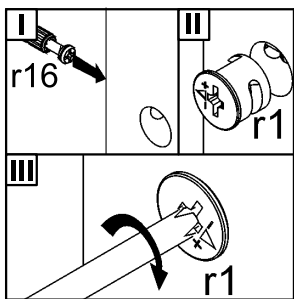
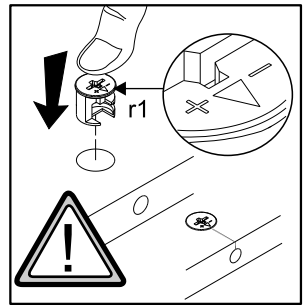
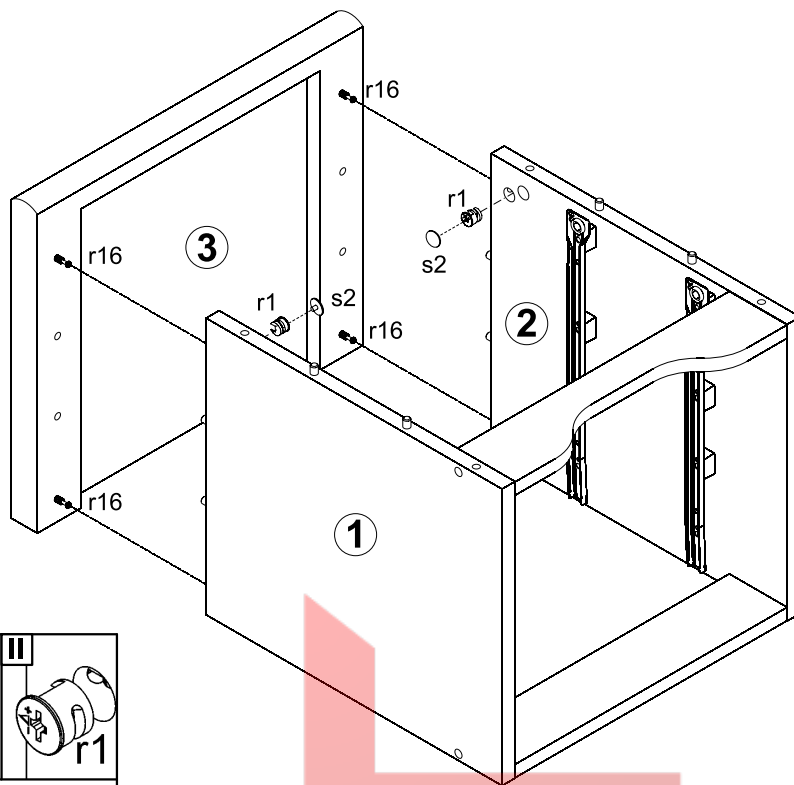
1



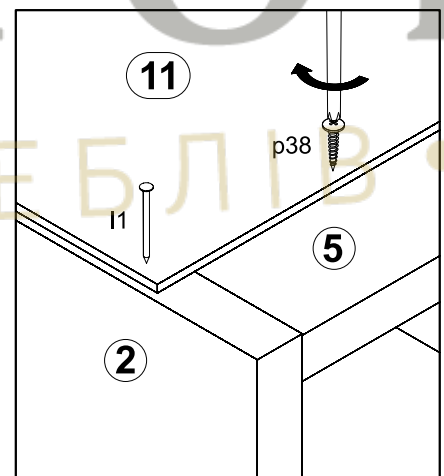
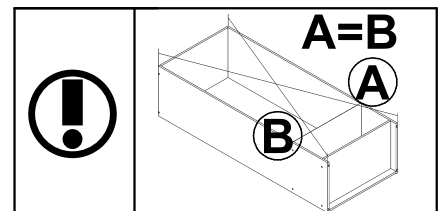
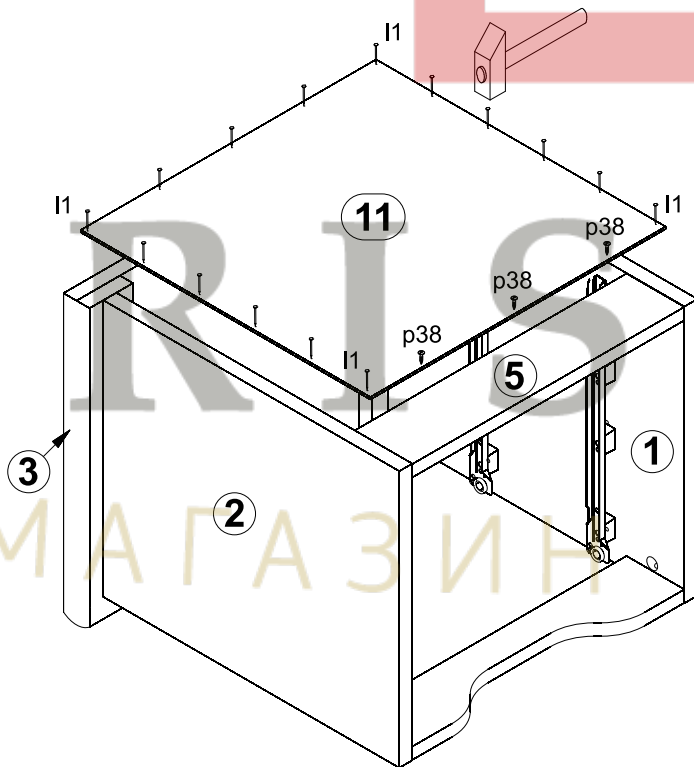
2



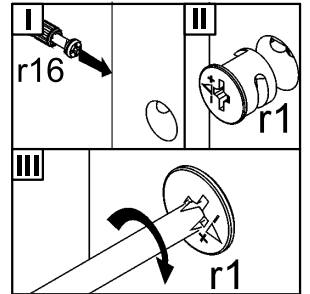
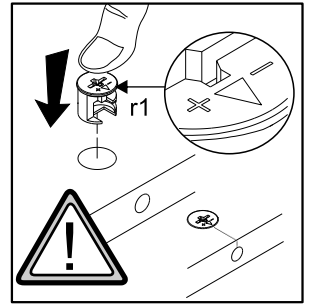
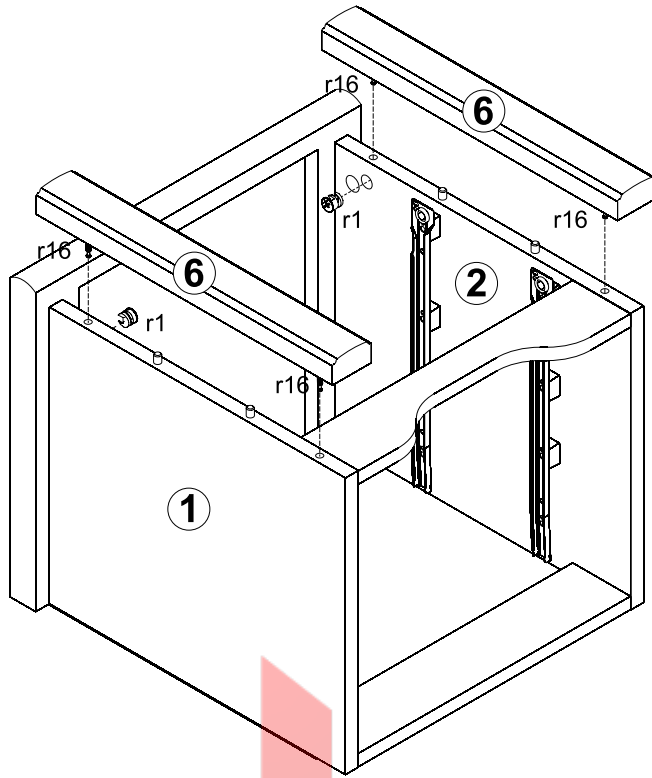
3



4



5



6

