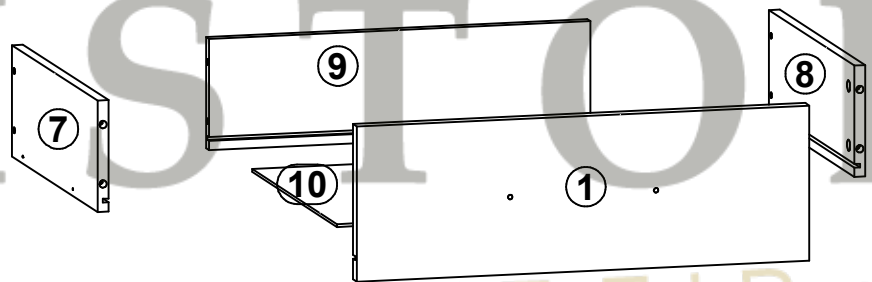
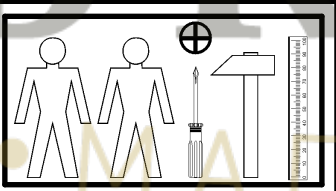
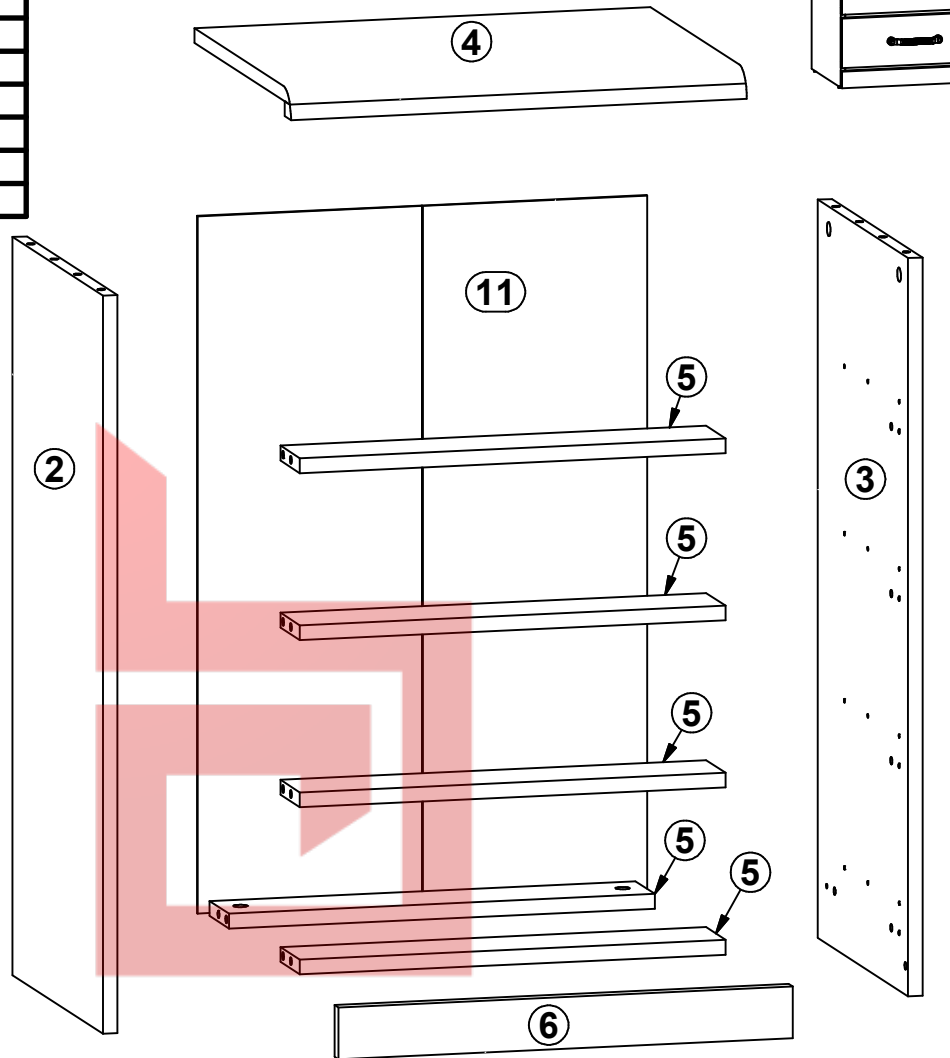
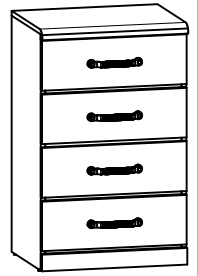
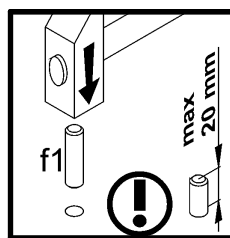
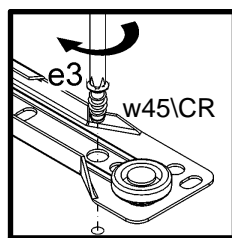
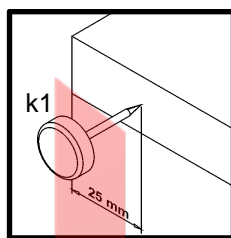
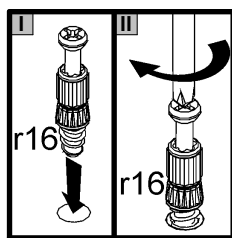
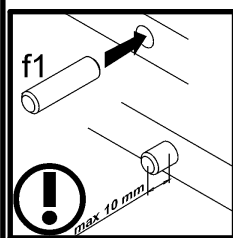
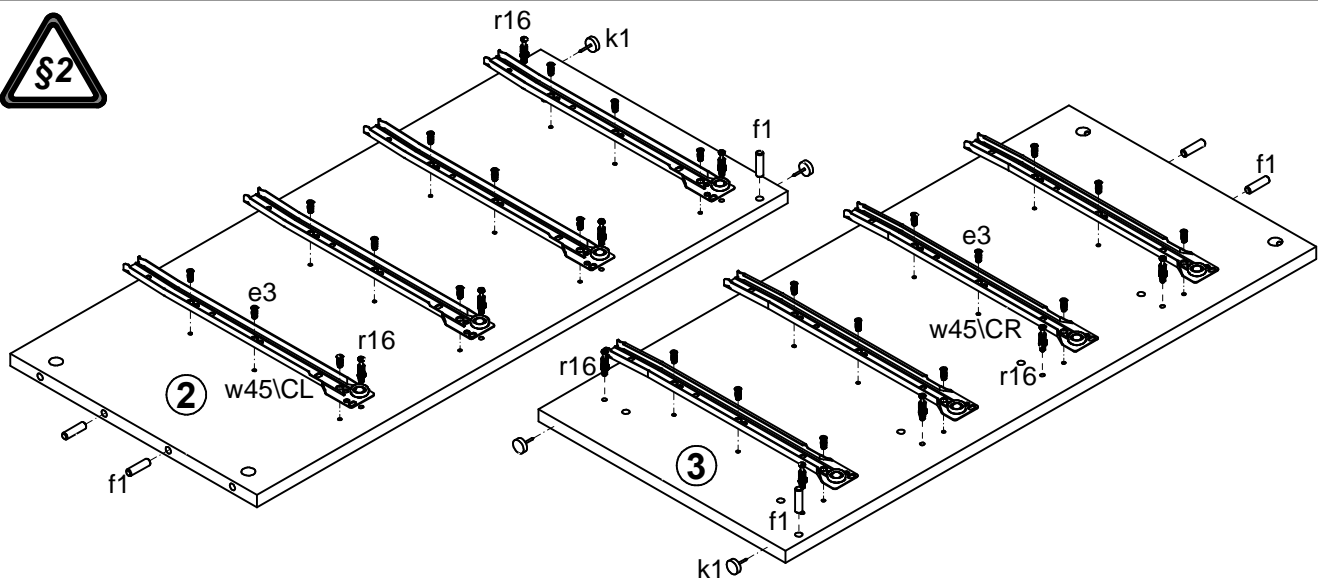


A	B	C	D	
1	S52-011A	496	167	2/2
2	S52-116	795	370	1/2
3	S52-117	795	370	1/2
4	S52-206	500	395	1/2
5	S52-408	467	80	1/2
6	S52-409	498	56	1/2
7	S52-503	350	120	1/2
8	S52-504	350	120	1/2
9	S52-508	418	120	1/2
10	S52-907	428	348	1/2
11	S52-9903	751	493	1/2

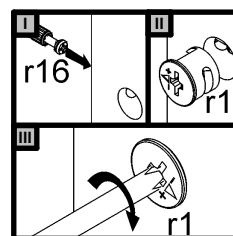
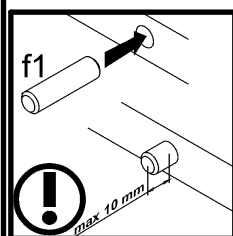
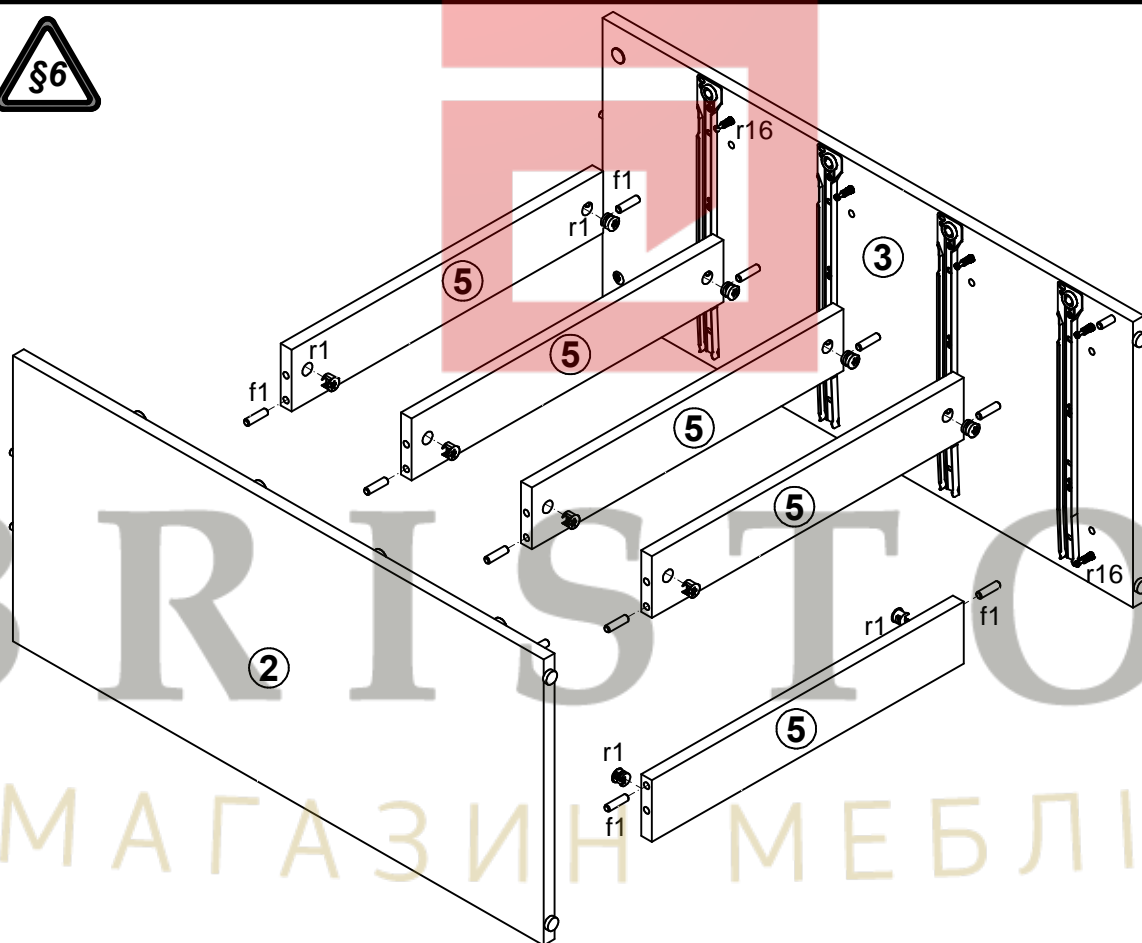


4x 160 mm c128	24x φ6x13 mm e3	16x φ8x30 mm f1	16x φ6.5x40 mm f25	4x k1	24x l1	2x l37	8x φ4x30 mm p9	16x φ3x12 mm p54
14x φ15x12mm #16 r1	16x φ12x10.5mm #12 r15	30x r16	2x ø16 s2	4x 350 mm w45\CL	4x 350 mm w45\CR	4x 350 mm w45\DL	4x 350 mm w45\DR	1x n26\1
1x φ3,5x16 mm p38								

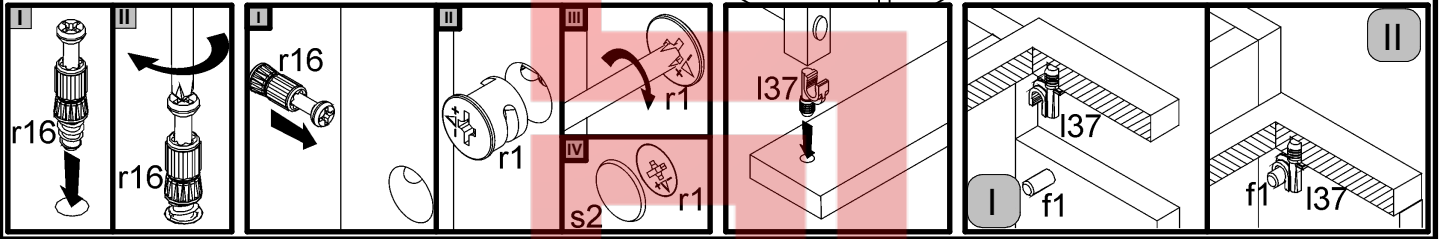
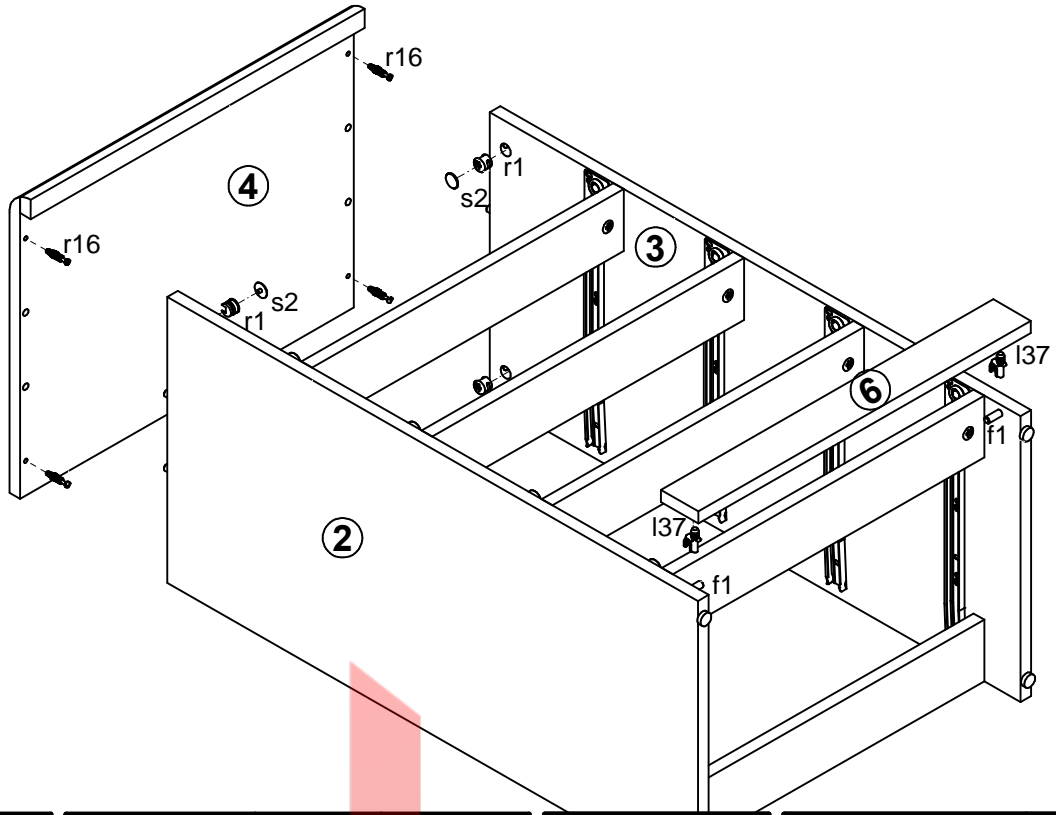
1 



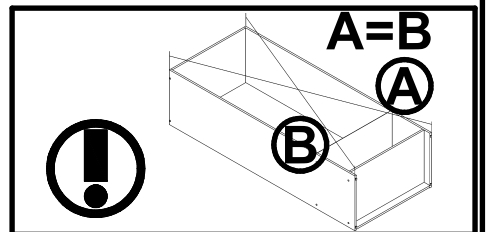
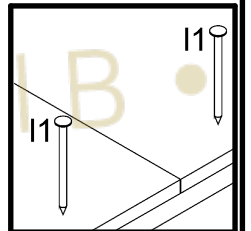
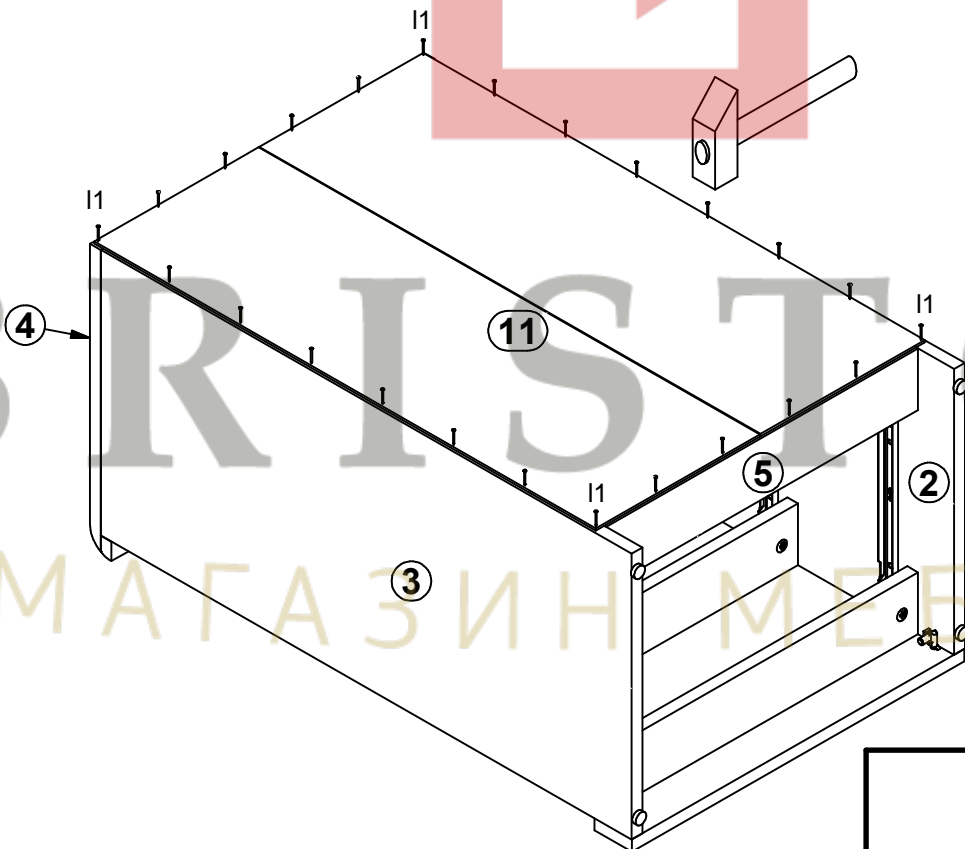
2 



3



4



5

