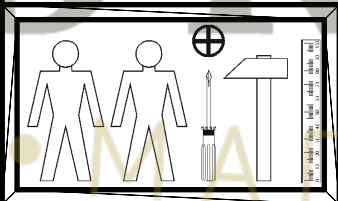
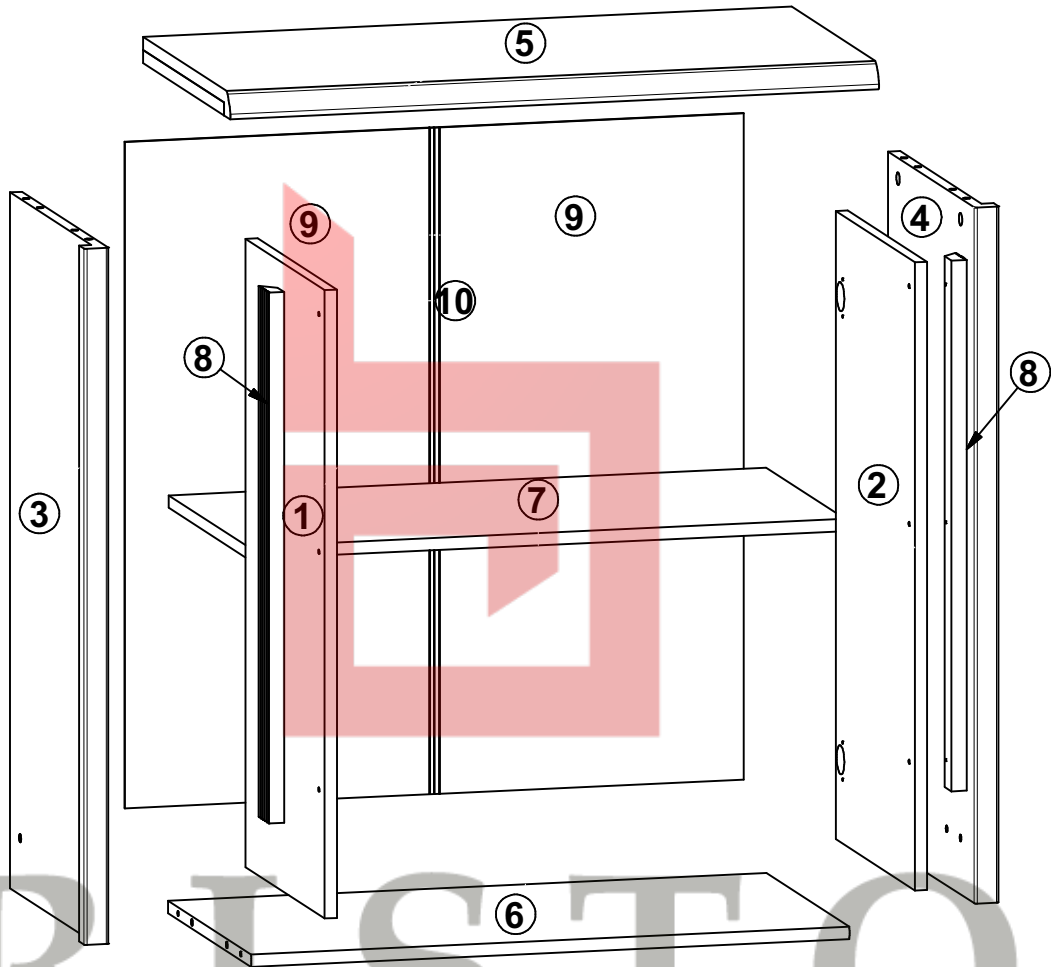
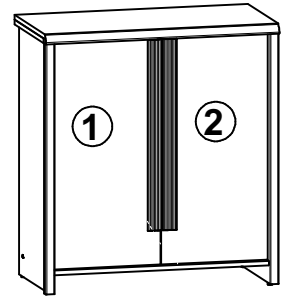


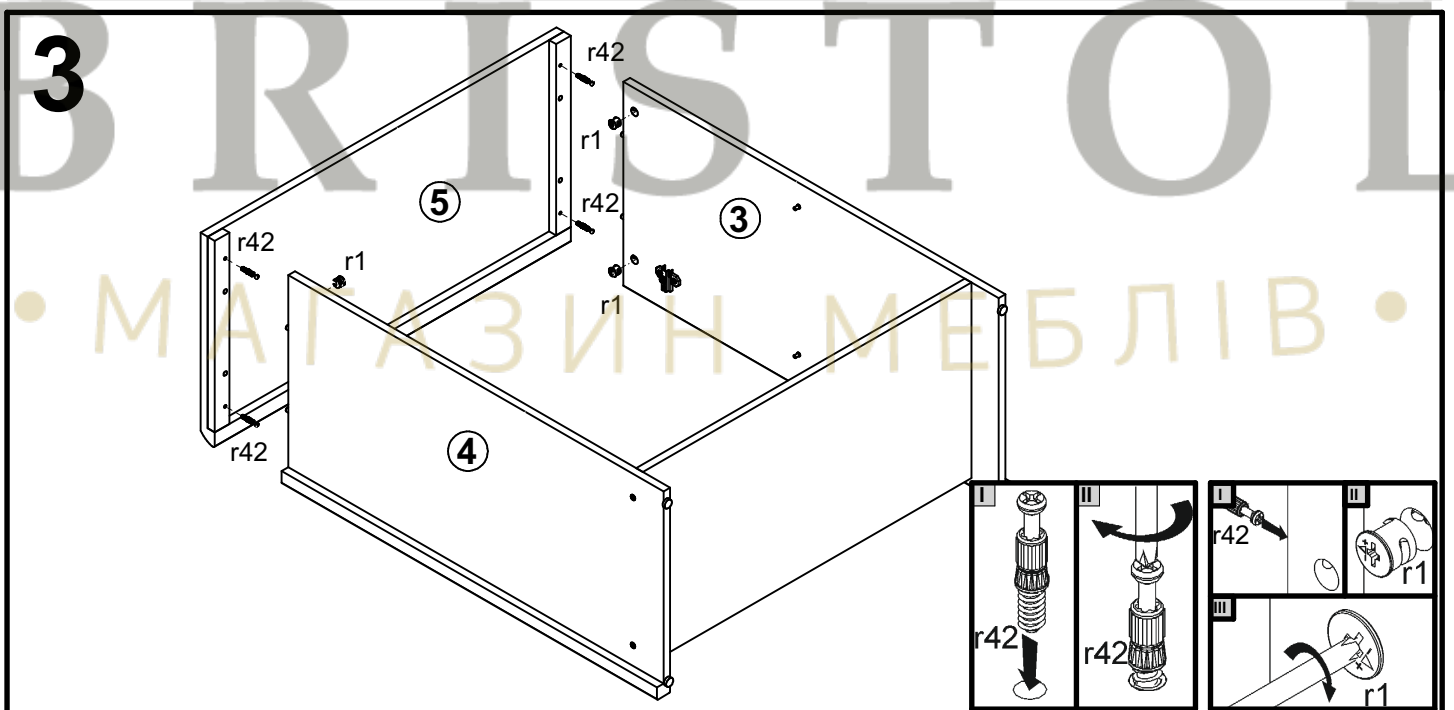
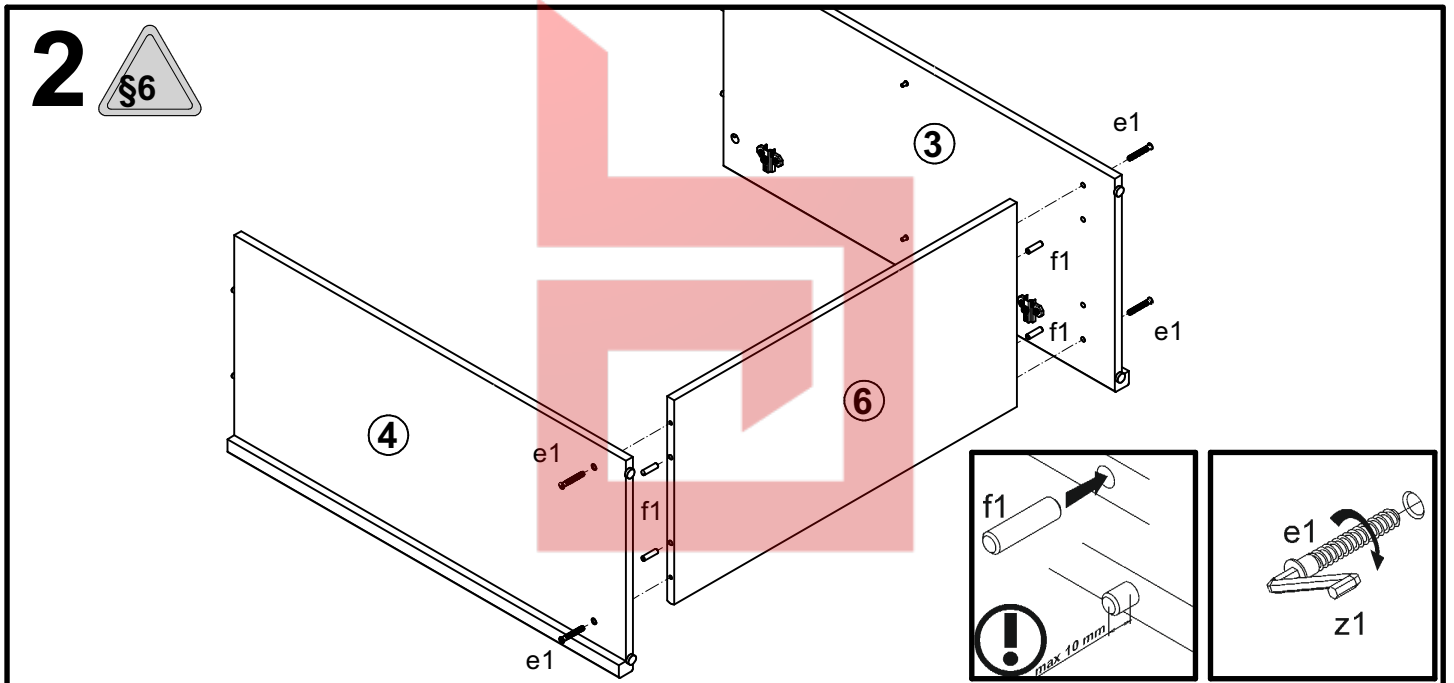
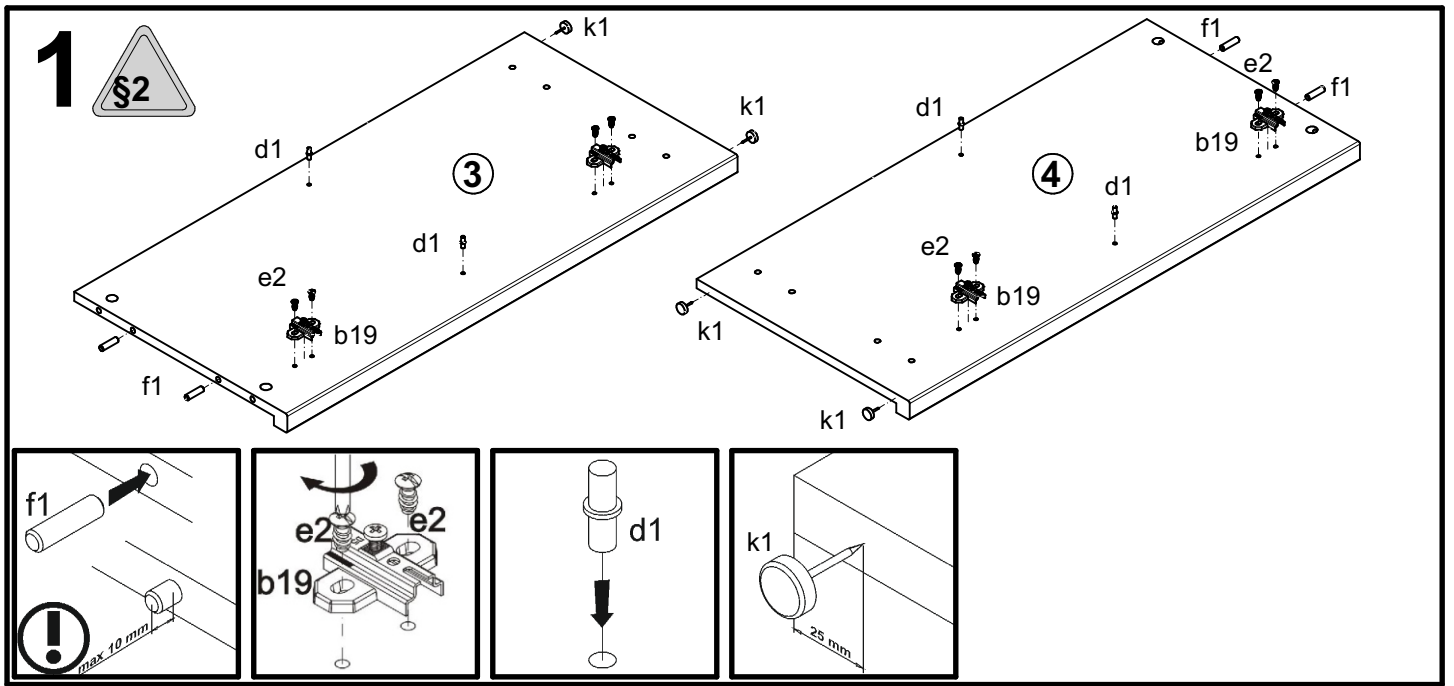
CAPS

S153-KOM2D

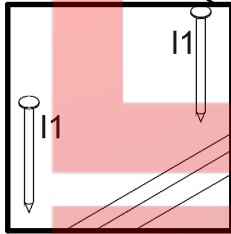
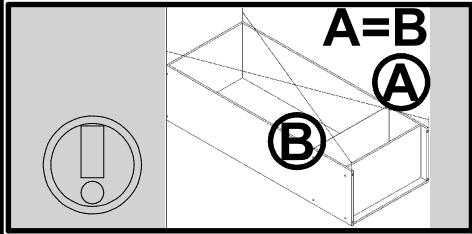
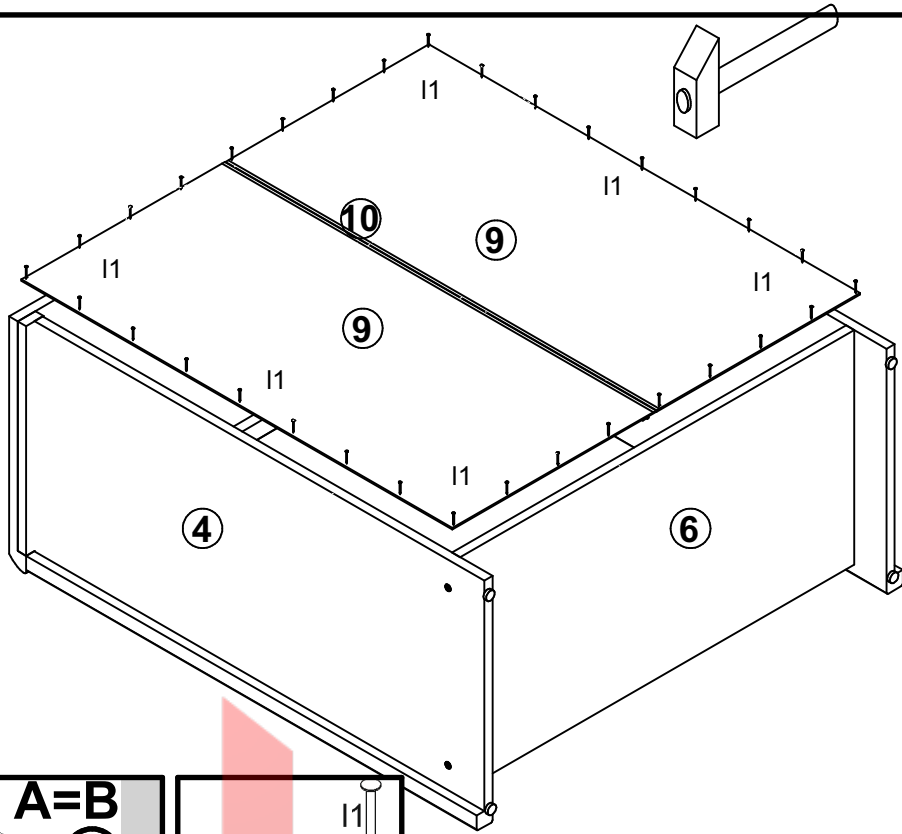
A	B	C	D
1	S153-0015	761	365 1/2
2	S153-0016	761	365 1/2
3	S153-1122	843	399 1/2
4	S153-1123	843	399 1/2
5	S153-2201	804	403 1/2
6	S153-3301	738	383 1/2
7	S153-3318	737	364 1/2
8	S153-582	643	49 2/2
9	S153-9901	807	381 1/2
10	Lh-777	777	14 1/2



4x K16 a43	4x D5 b19	4x φ5x17 mm d1	4x φ7x50 mm e1	8x φ6,3x13 mm e2	8x φ8x30 mm f1	4x k1	35x l1	8x φ3,5x15 mm p51
6x φ4x22 mm p60	4x φ15x12mm #16 r1	4x r42	1x z1	1x n26\1	1x φ3,5x16 mm p38	4x s1	4x φ16 s2	



4



5

