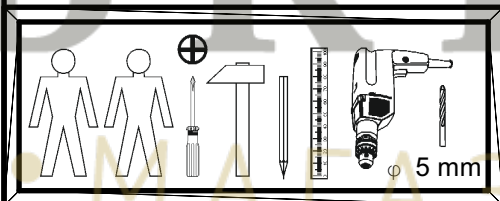
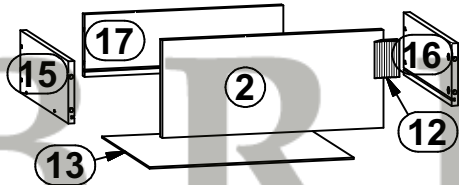
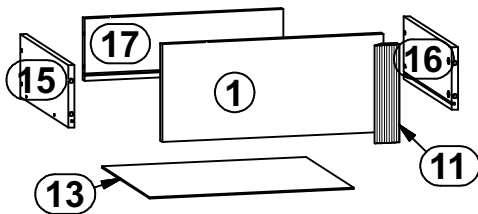
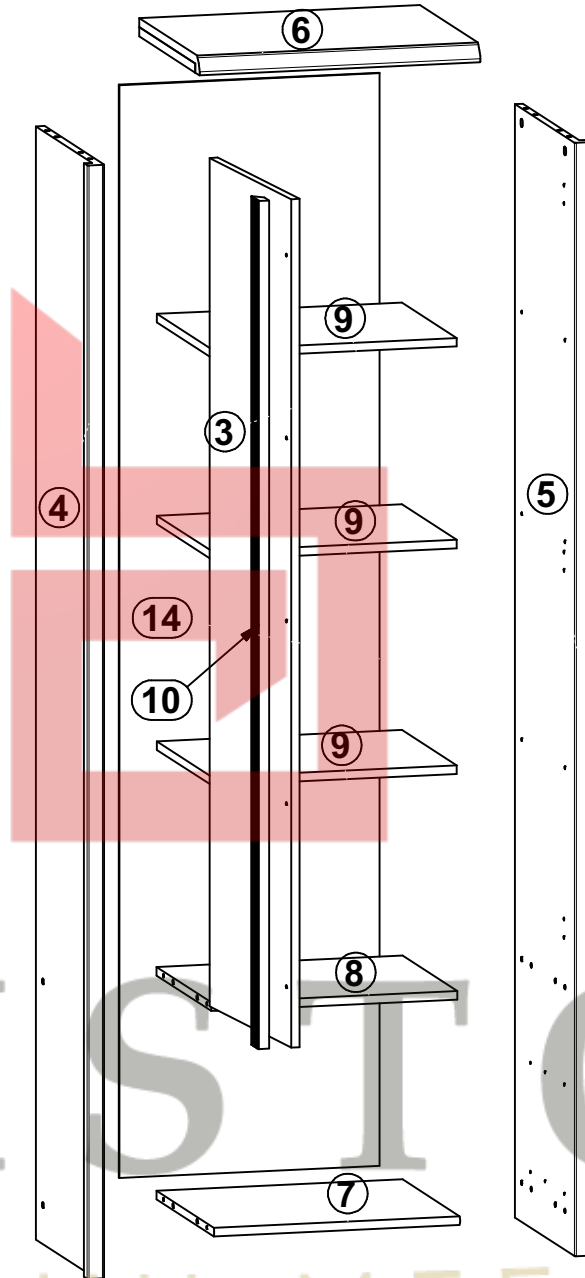
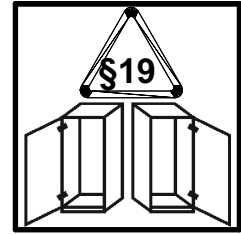
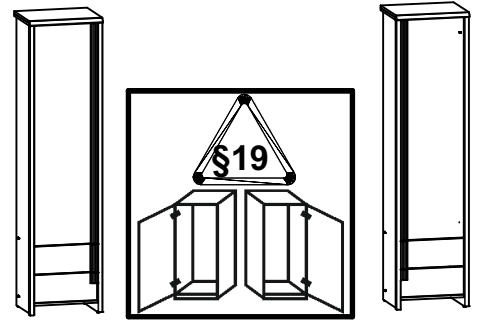


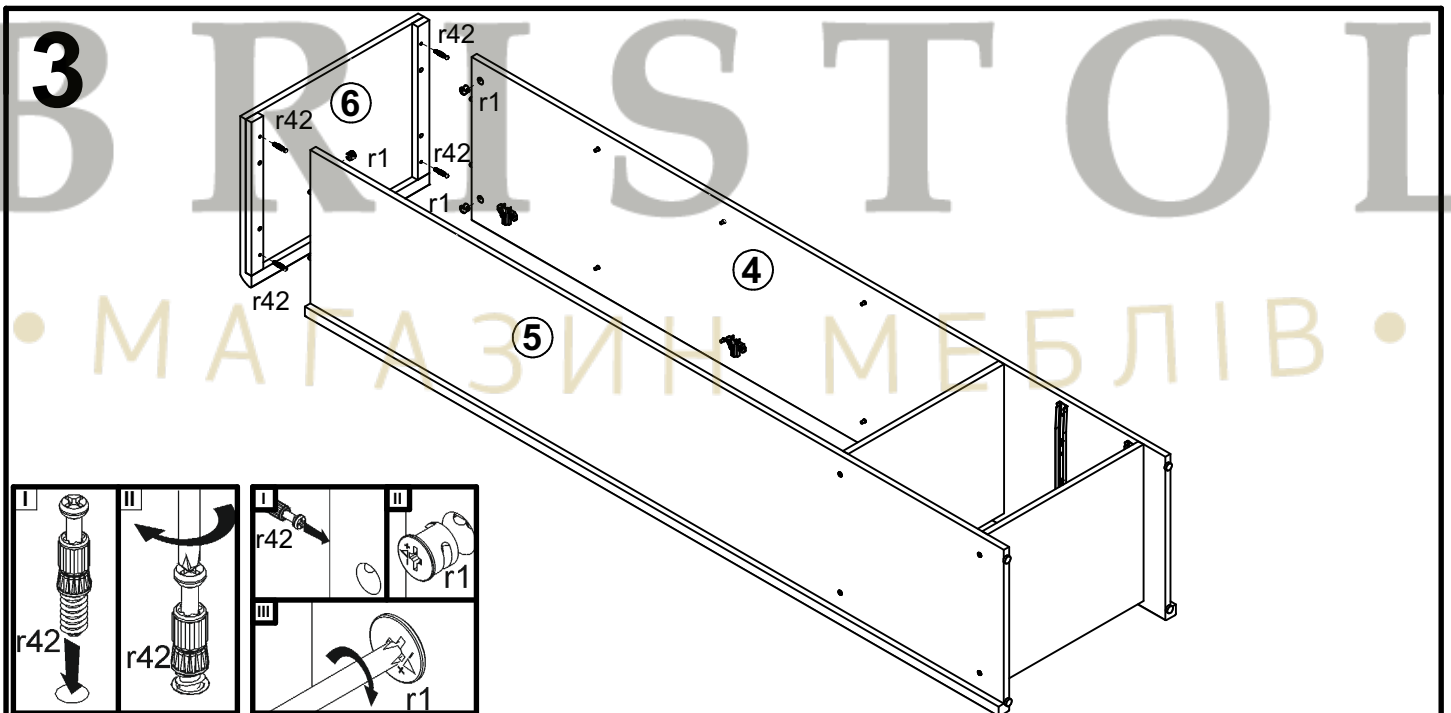
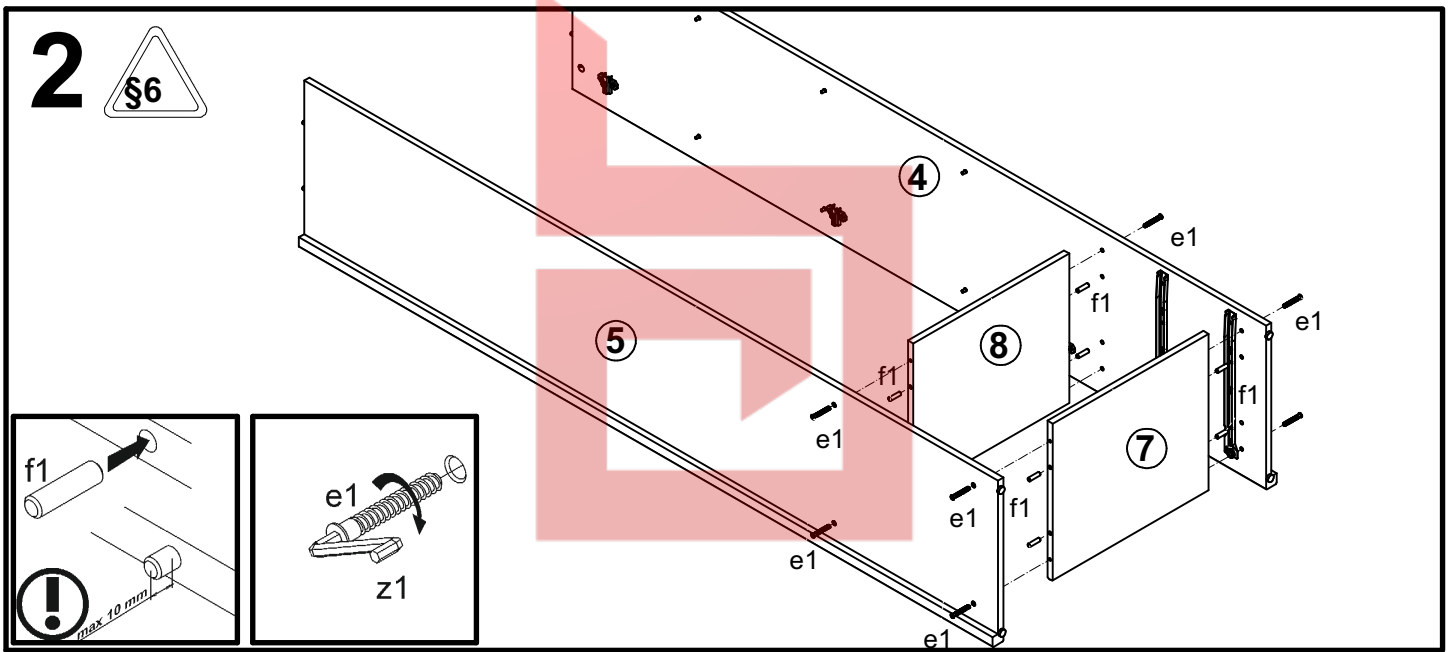
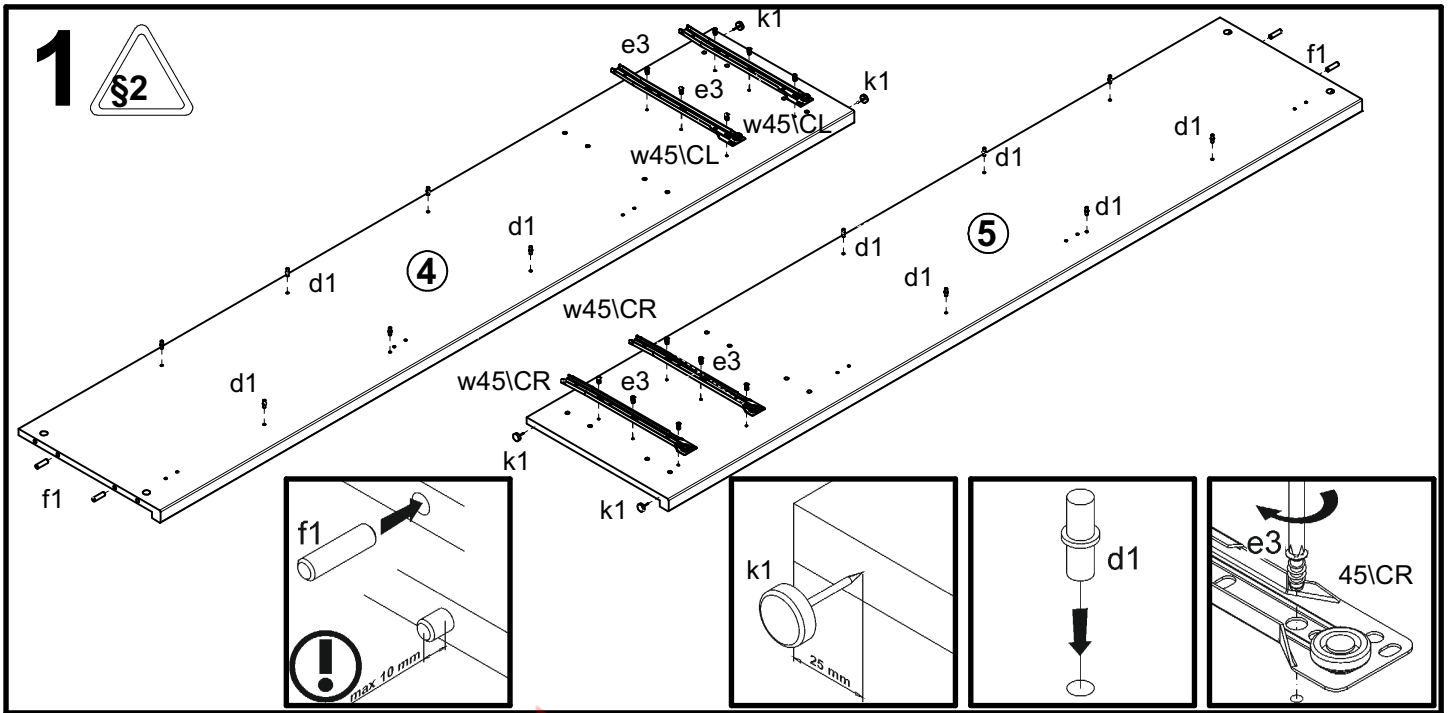
CAPS

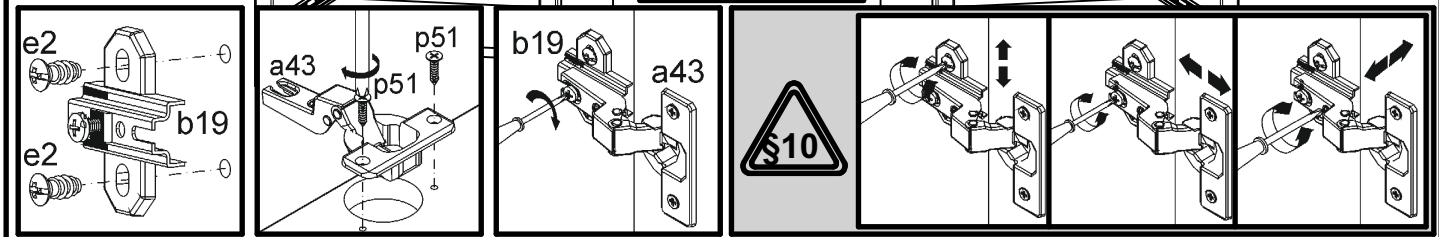
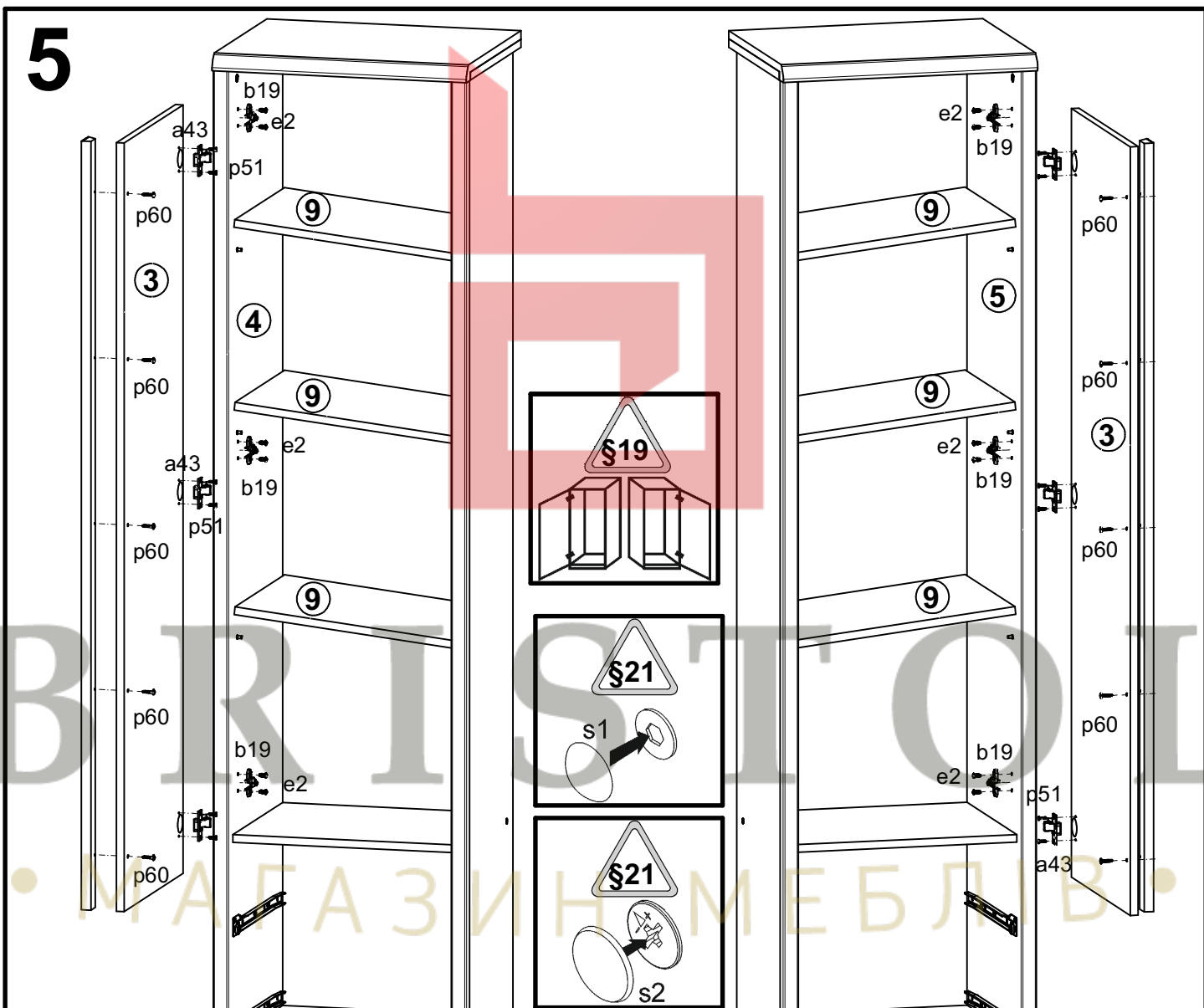
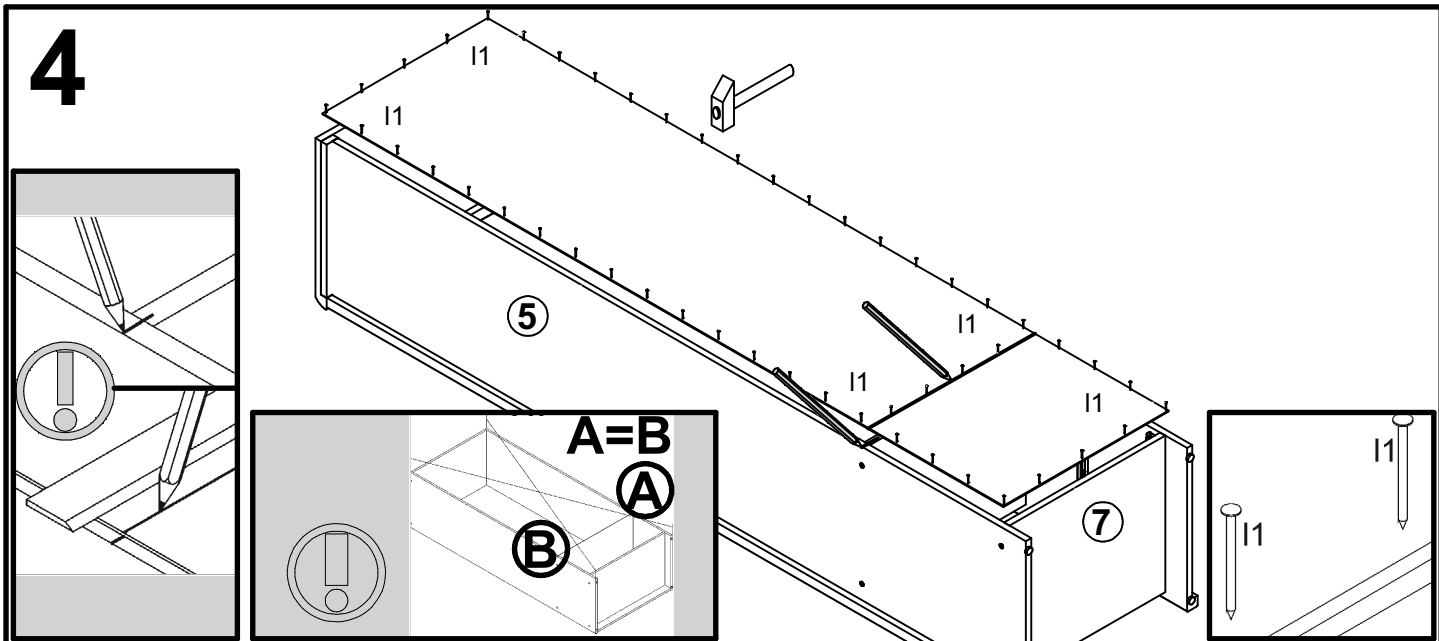
S153-REG1D2S

A	B	C	D	
1	S153-0011	433	188	1/3
2	S153-0012	433	188	1/3
3	S153-0013	1484	433	1/3
4	S153-1117	1948	399	1/3
5	S153-1118	1948	399	1/3
6	S153-2202	504	403	2/3
7	S153-3302	438	383	2/3
8	S153-3315	438	364	2/3
9	S153-3316	437	364	3/3
10	S153-573	1484	49	3/3
11	S153-578	188	49	3/3
12	S153-580	70	49	3/3
13	S153-9904	400	348	3/3
14	S153-9910	1912	464	1/3
15	ZS2-511	350	120	3/3
16	ZS2-512	350	120	3/3
17	ZS2-5582	389	120	3/3



3x k16	3x D5	12x φ5x17 mm	8x φ7x50 mm	8x φ5x9 mm	6x φ6,3x13 mm	12x φ8x13 mm	12x φ8x30 mm	8x φ6,5x40 mm
a43	b19	d1	e1	e19	e2	e3	f1	f25
4x	55x	6x	9x	4x	8x	12x	2x	2x
k1	l1	φ3,5x15 mm	φ4x22 mm	φ1,5x12mm #16	φ12x10,5mm #12	r42	350 mm	350 mm
w45\DL	w45\DR	p51	p60	r1	r15	r2	w45\CL	w45\CR
2x	2x	1x	1x	1x	8x	4x		
350 mm	350 mm	z1	n26\1	φ3,5x16 mm	s1	s2		
w45\DL	w45\DR							





6

