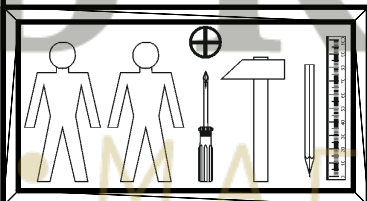
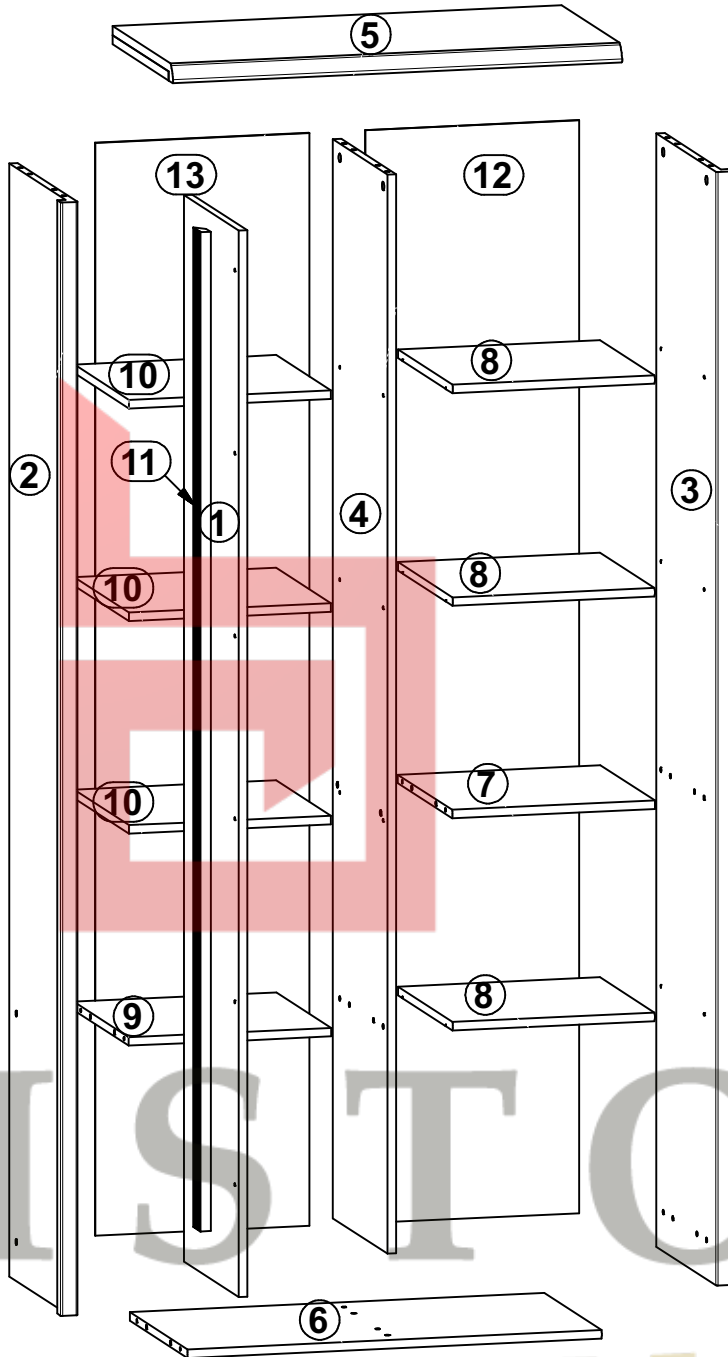
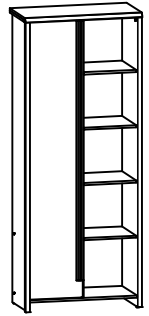


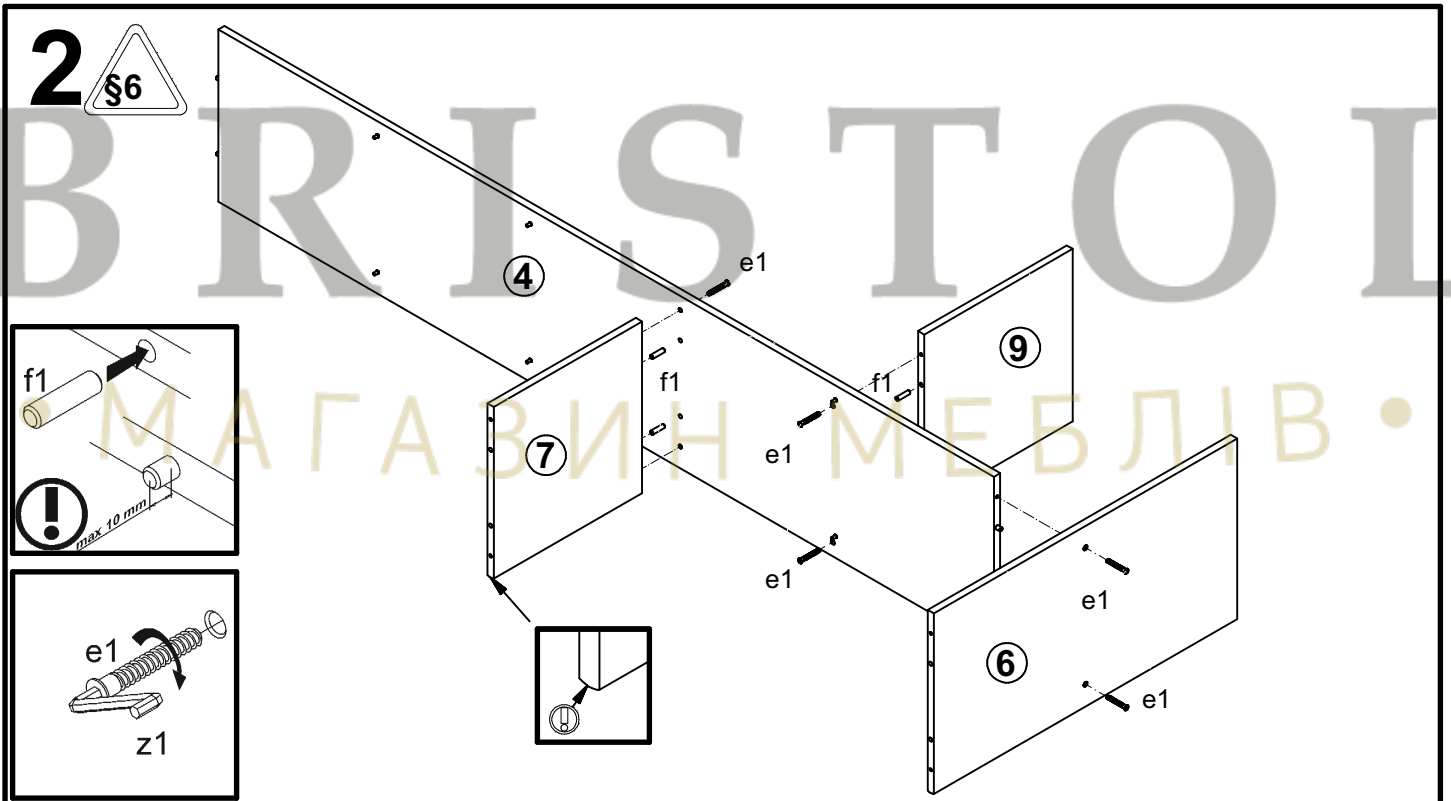
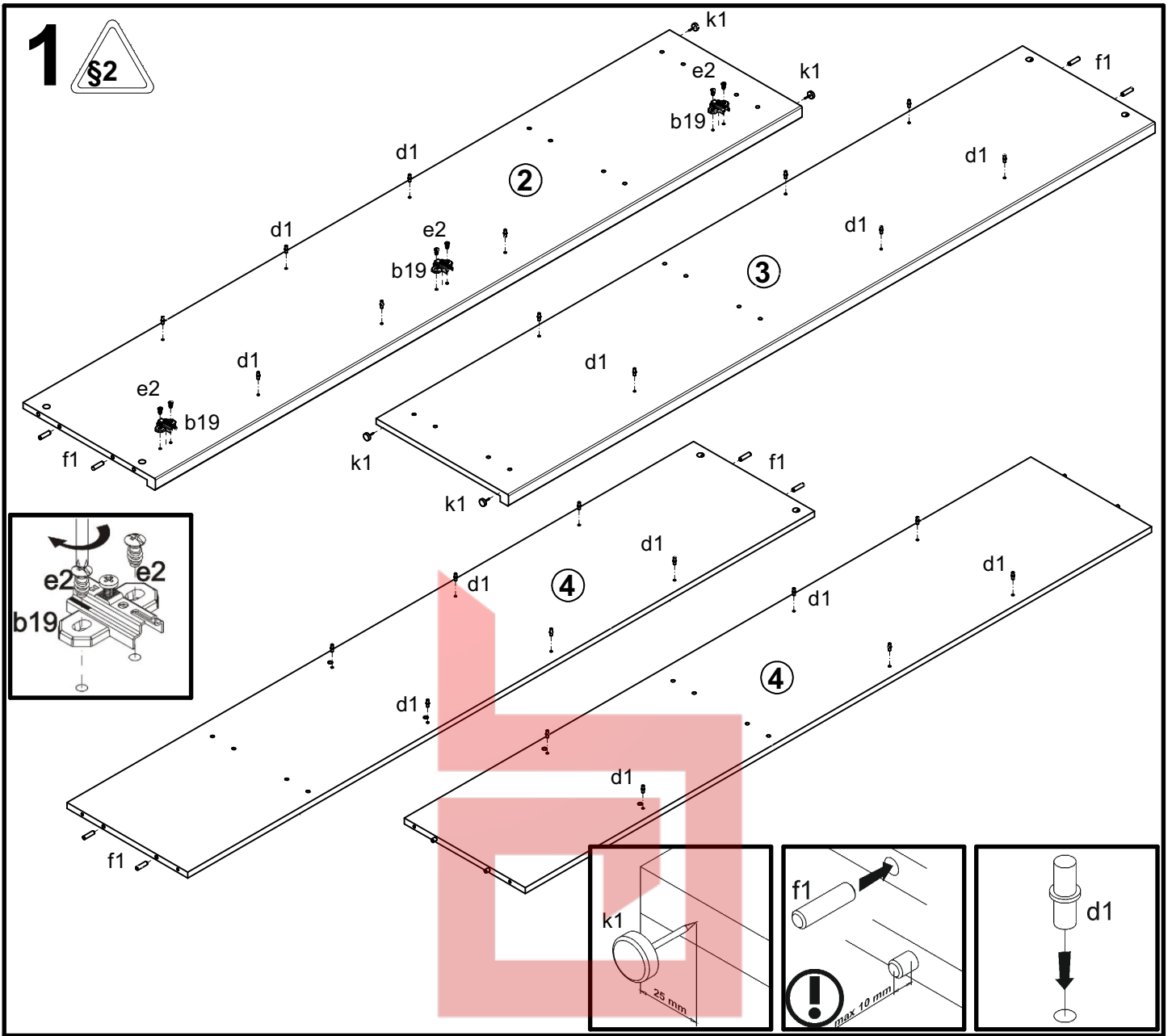
# CAPS

S153-REG1D/80

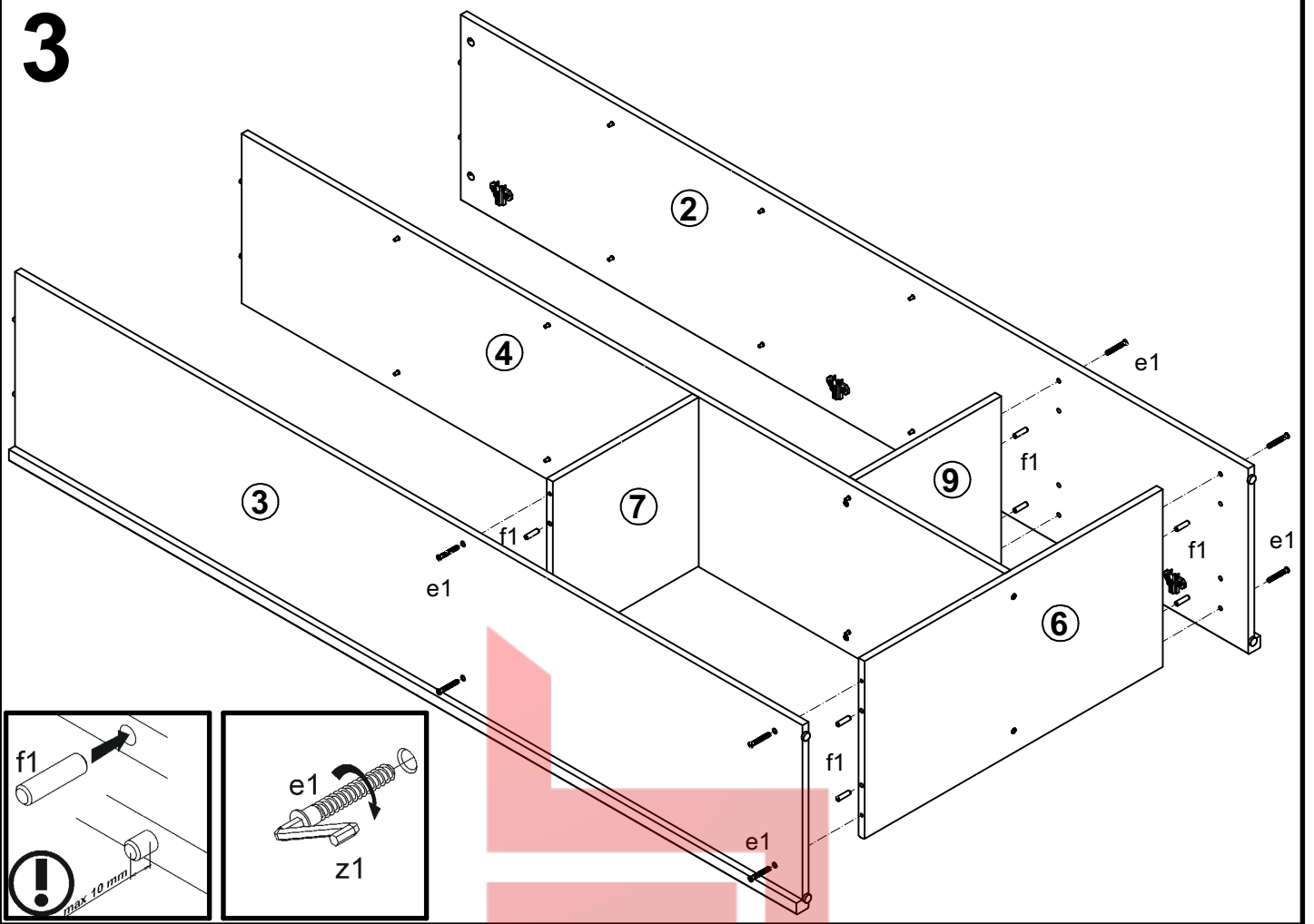
A	B	C	D
1	S153-0009	1866	365
2	S153-1111	1948	399
3	S153-1112	1948	399
4	S153-1113	1888	364
5	S153-2104	804	403
6	S153-3308	738	383
7	S153-3309	361	364
8	S153-3310	360	364
9	S153-3312	361	364
10	S153-3313	360	364
11	S153-577	1748	49
12	S153-909	1912	381
13	S153-9915	1912	381



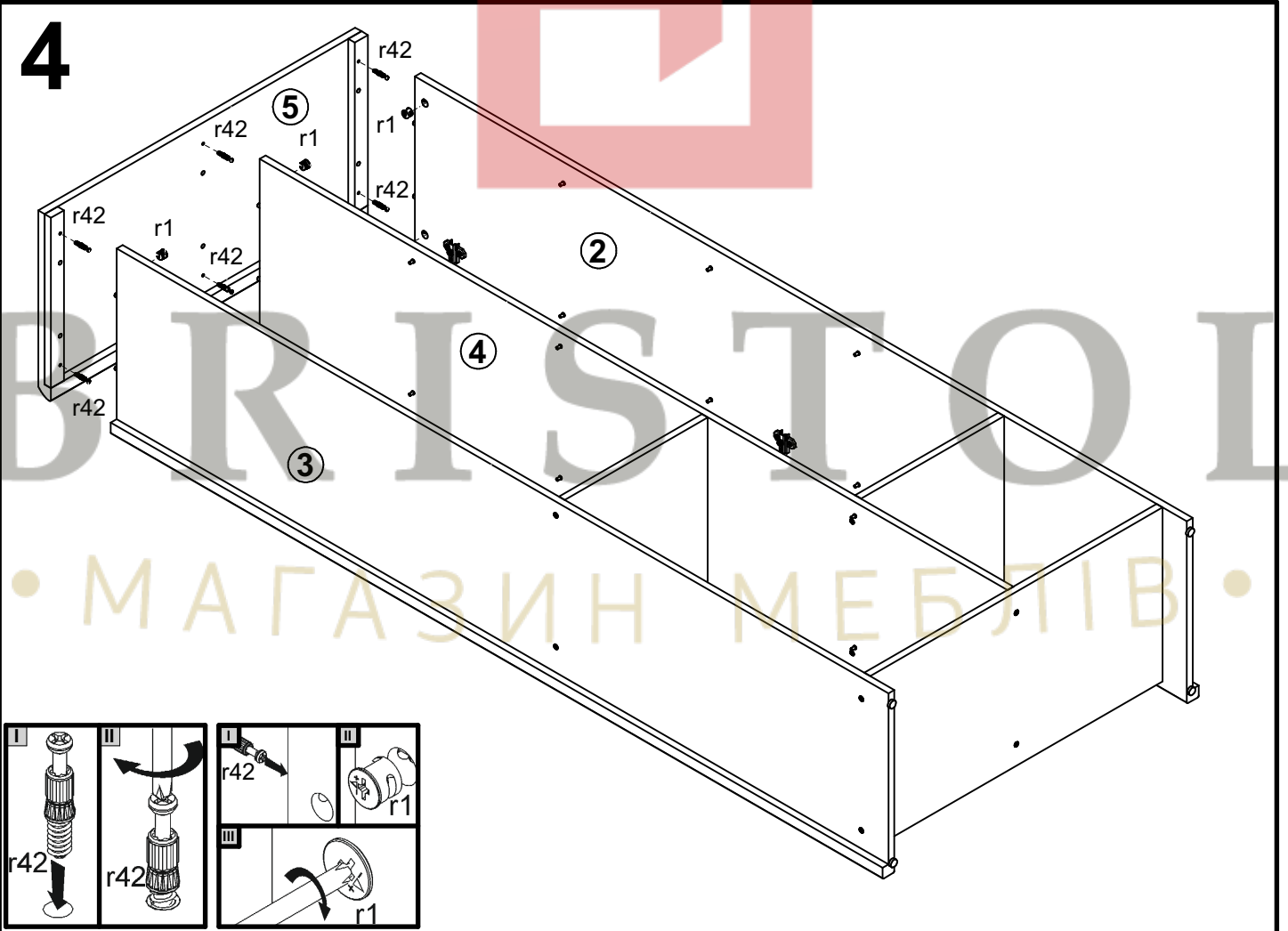
3x K16  a43	3x D5  b19	24x  φ5x17 mm d1	14x  φ7x50 mm e1	6x  φ6,5x13 mm e2	20x  φ8x30 mm f1	4x  k1	110x  l1	6x  φ3,5x15 mm p51
6x  φ4x22 mm p60	6x  φ1,5x12mm #16 r1	6x  r42	1x  z1	1x  n2611	1x  φ3,5x16 mm p38	8x  s1	6x  φ16 s2	



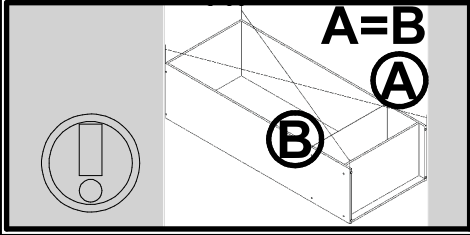
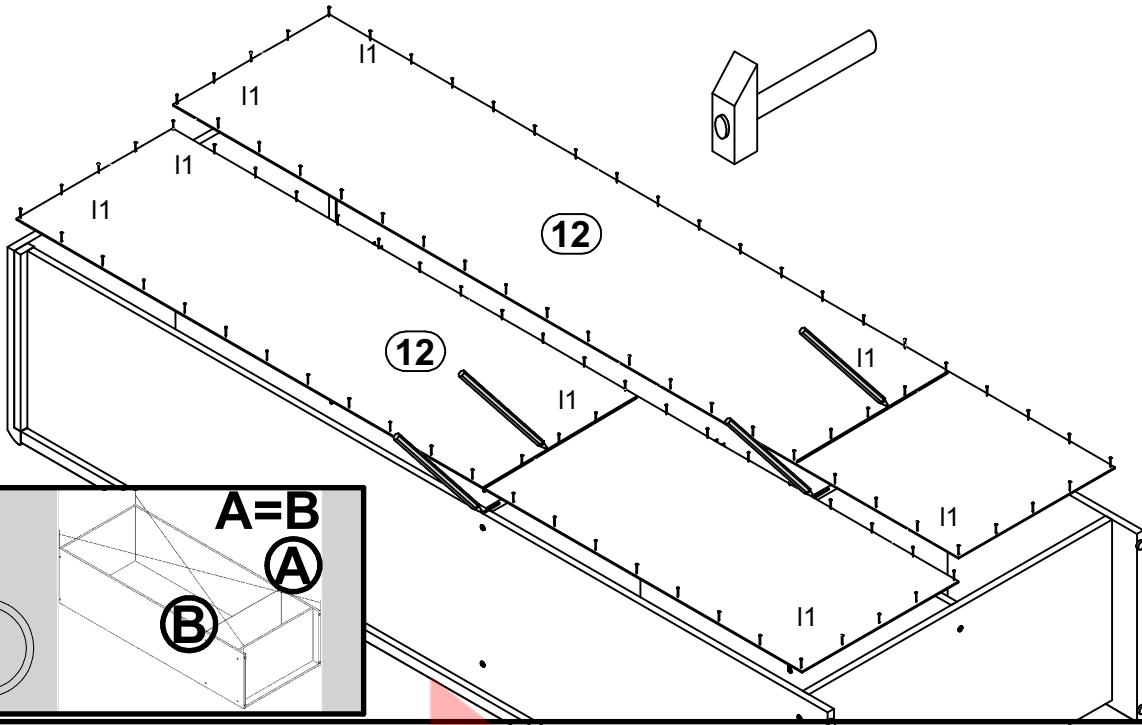
# 3



# 4



5



6

