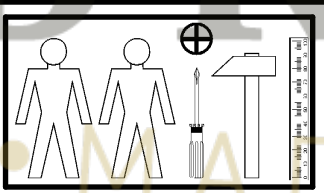
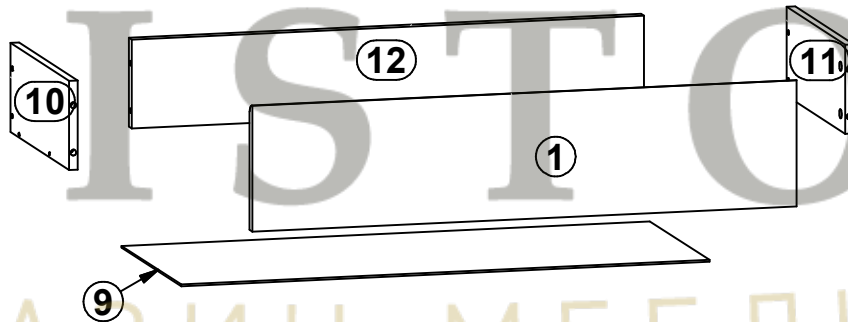
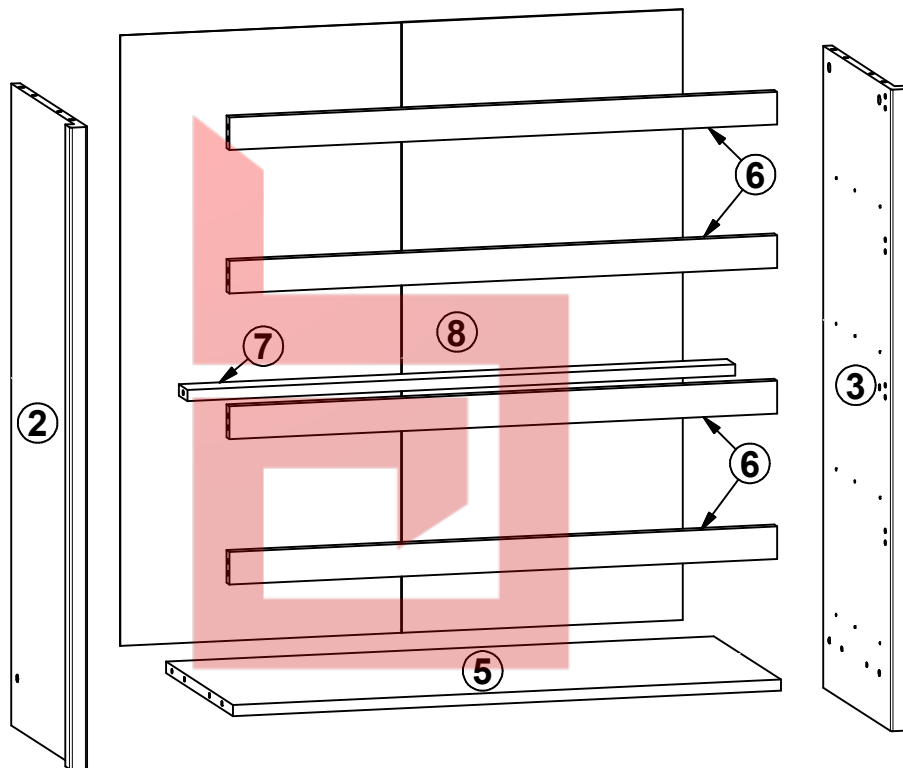
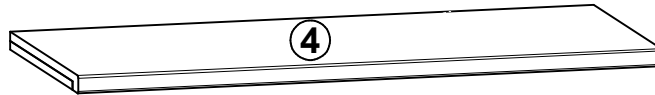
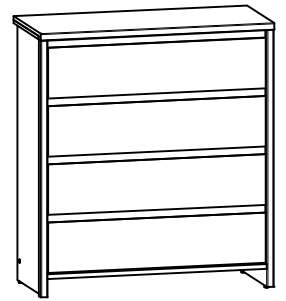


NUMLOCK

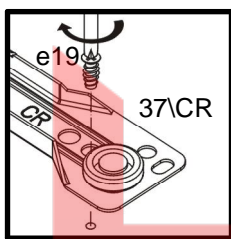
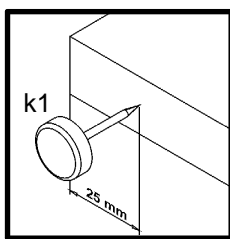
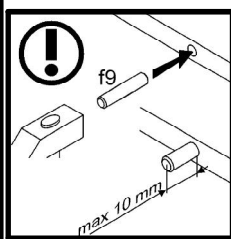
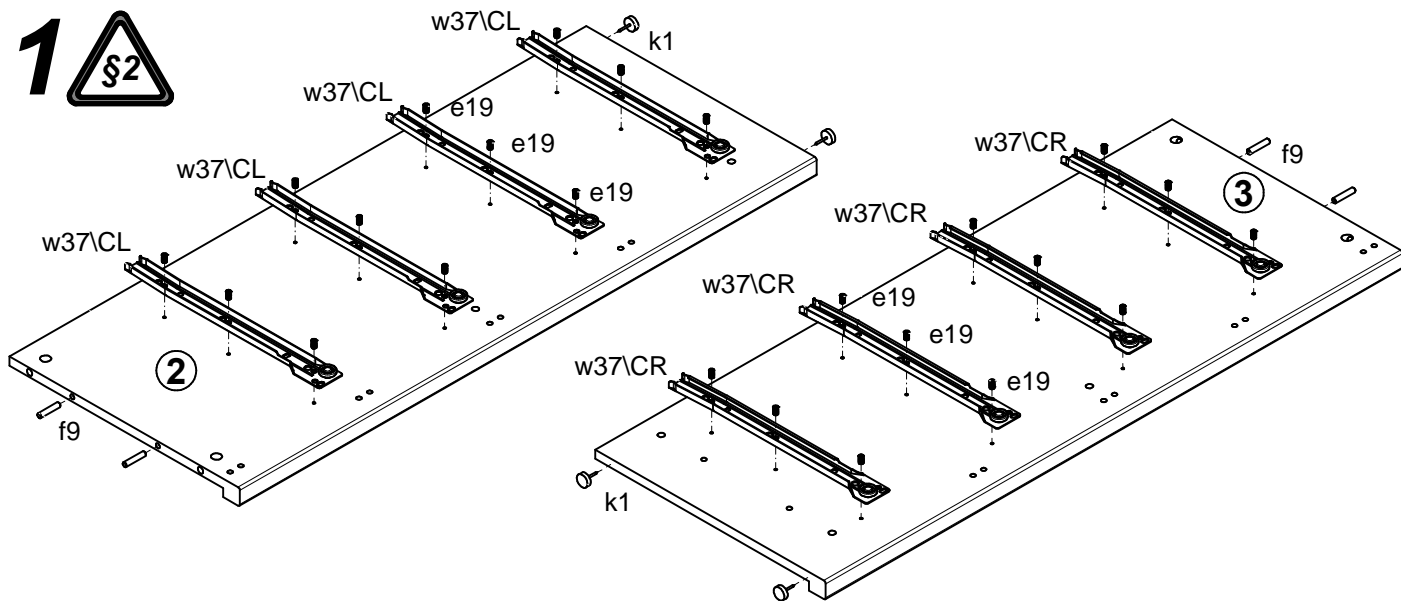
S161-KOM4S/80

A	B	C	D	
1	S161-001	746	170	2/2
2	S161-101	864	345	1/2
3	S161-102	864	345	1/2
4	S161-201	800	348	1/2
5	S161-301	751	342	1/2
6	S161-401	751	44	1/2
7	S161-414	751	44	1/2
8	S161-901	822	771	1/2
9	S161-902	724	305	1/2
10	ZS3-501	300	120	1/2
11	ZS3-502	300	120	1/2
12	ZS3-5501	702	120	1/2

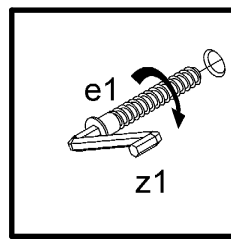
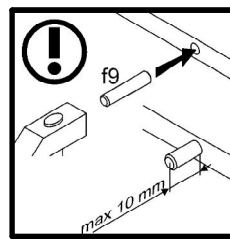
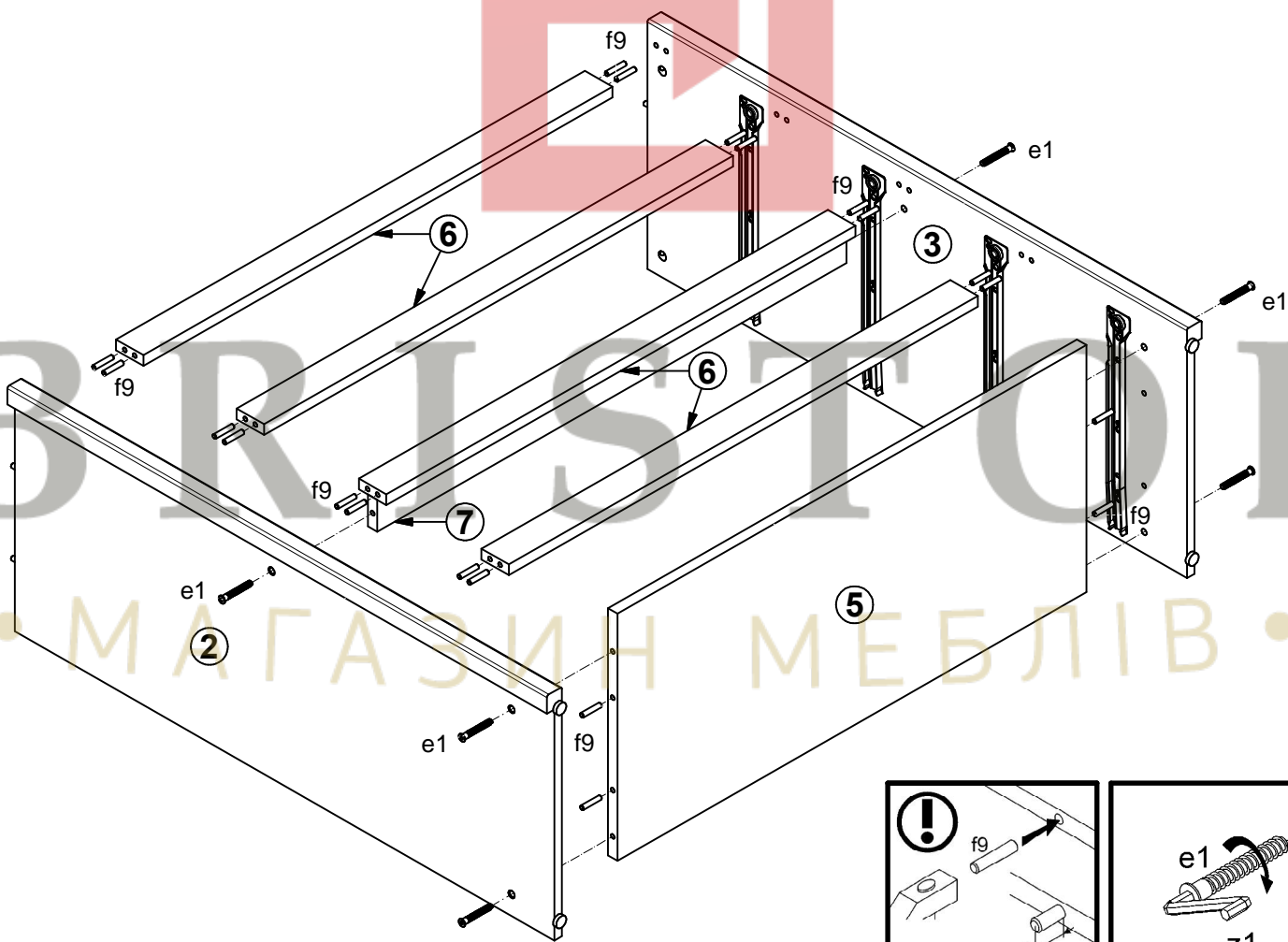


6x Ø7x50 mm e1	40x Ø5x9 mm e19	16x Ø6.5x40 mm f25	24x Ø6x30 mm f9	4x k1	35x l1	4x Ø3.5x16 mm p25	4x Ø3.5x10 mm p35	20x Ø3.5x16 mm p38
20x Ø12x10.5 mm #12 r15	20x r42	4x 300 mm t25	4x 300 mm w37ICL	4x 300 mm w37ICR	4x 300 mm w37IDL	4x 300 mm w37IDR	6x s1	1x z1
1x n26\1	1x Ø3.5x16 mm p38							

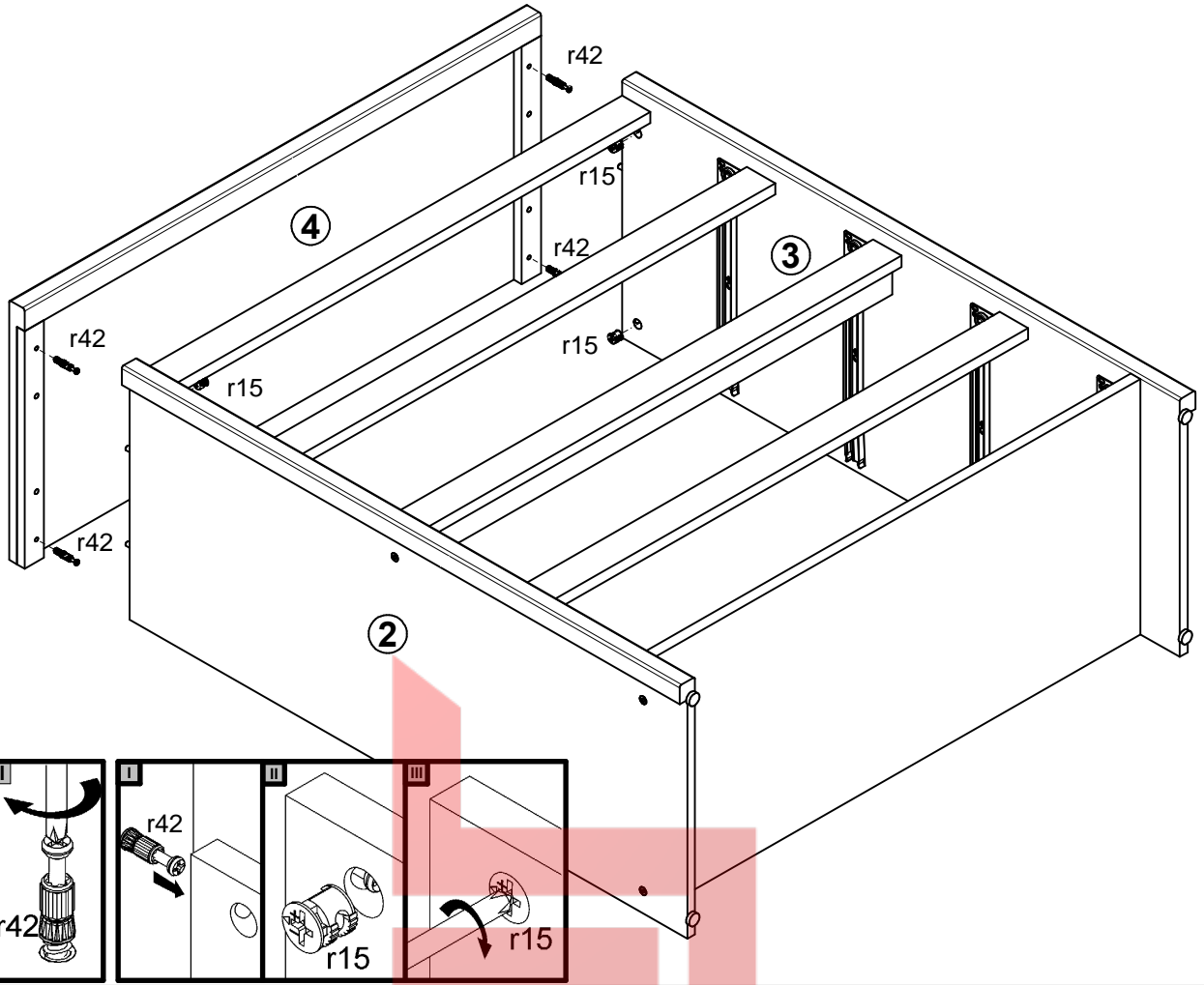
1  §2



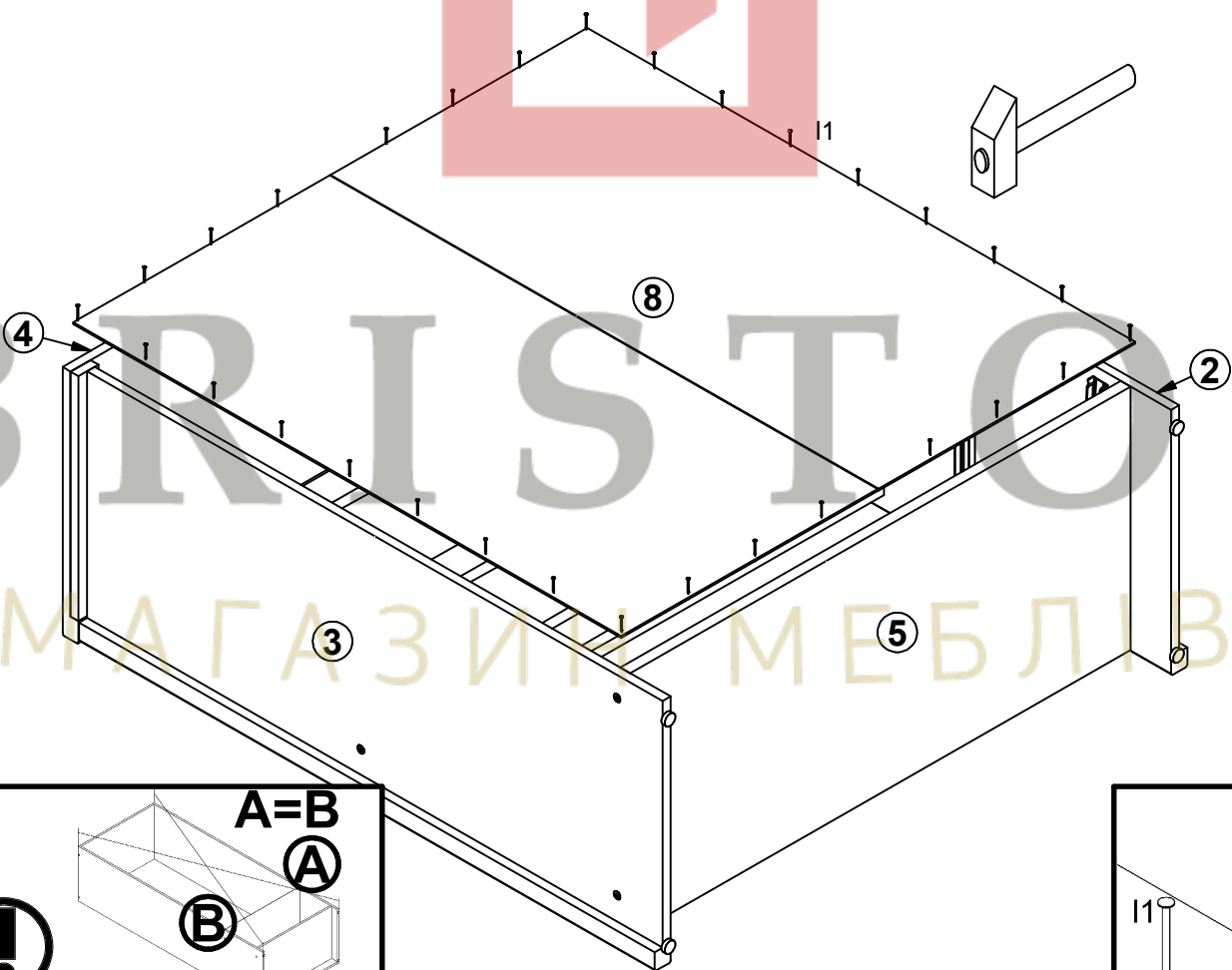
2  §6



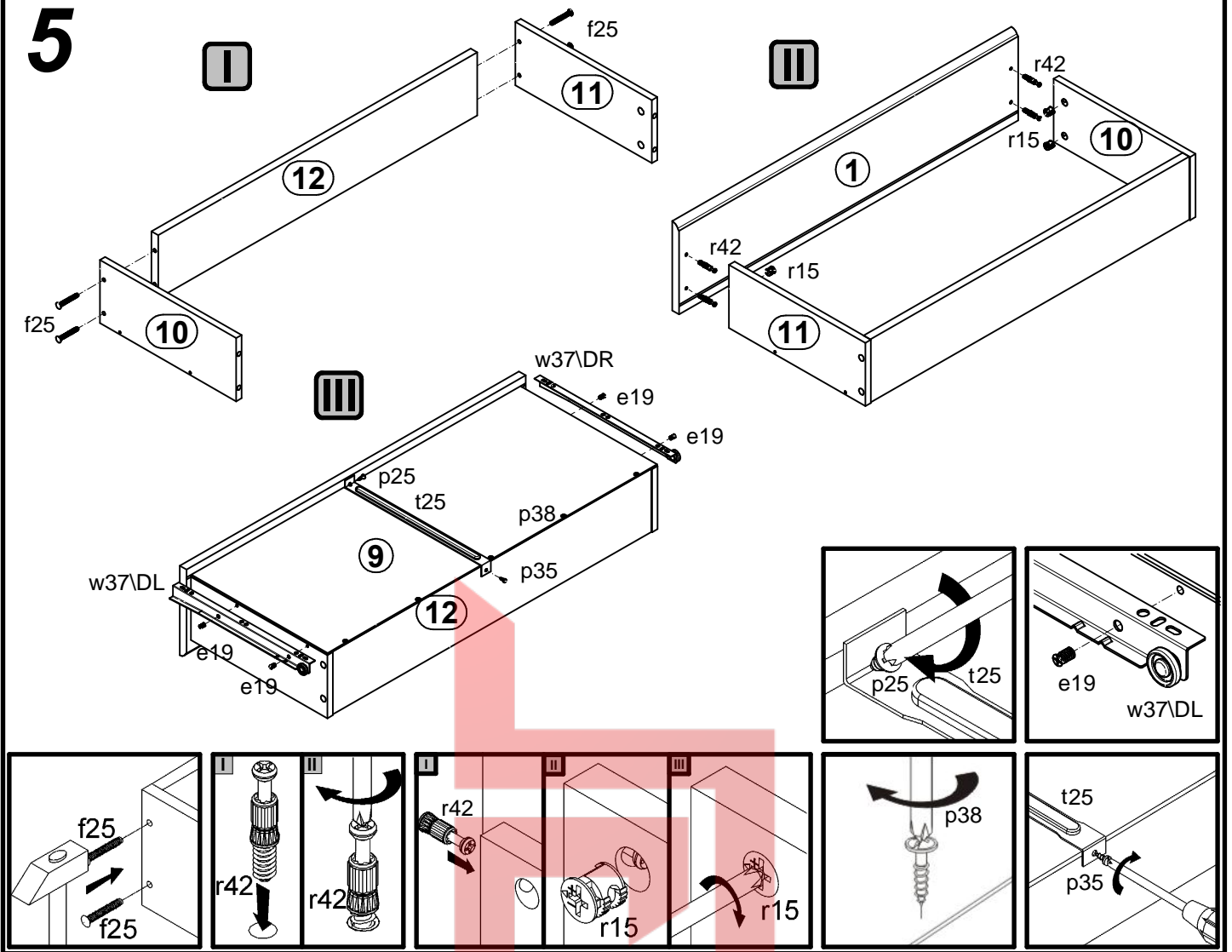
3



4



5



6

