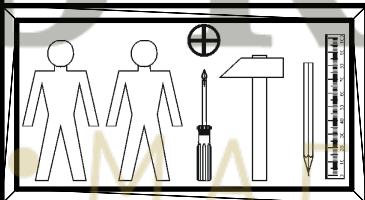
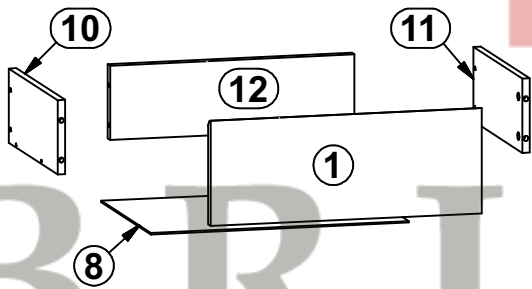
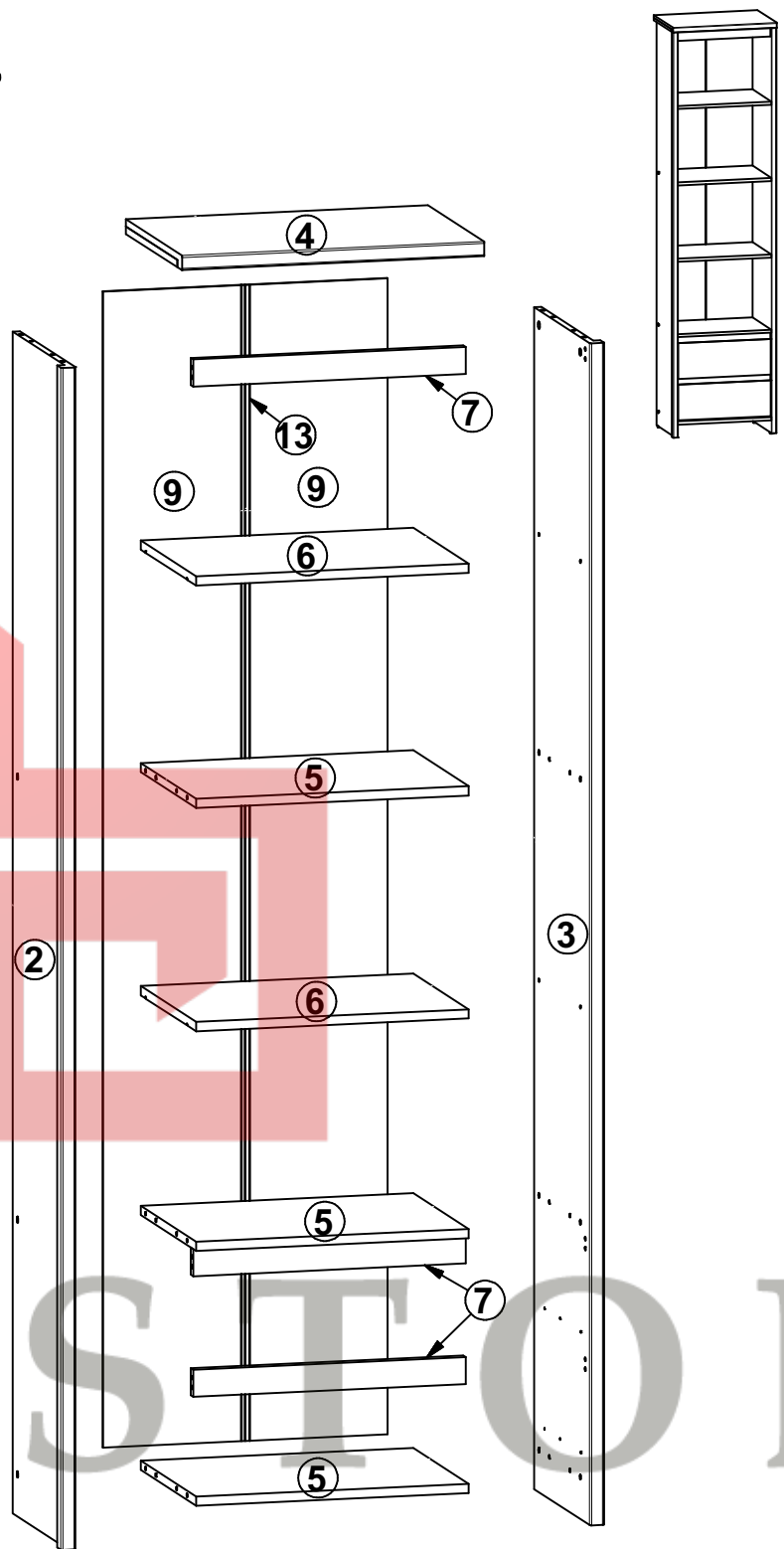


# NUMLOCK

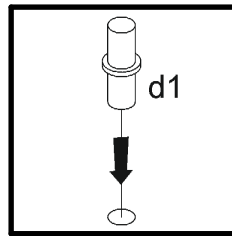
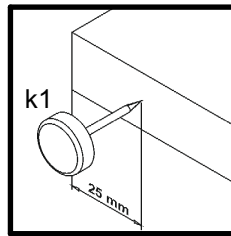
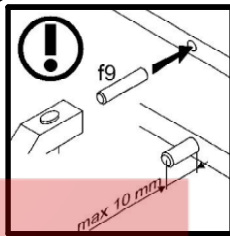
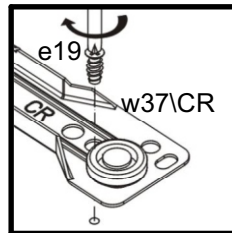
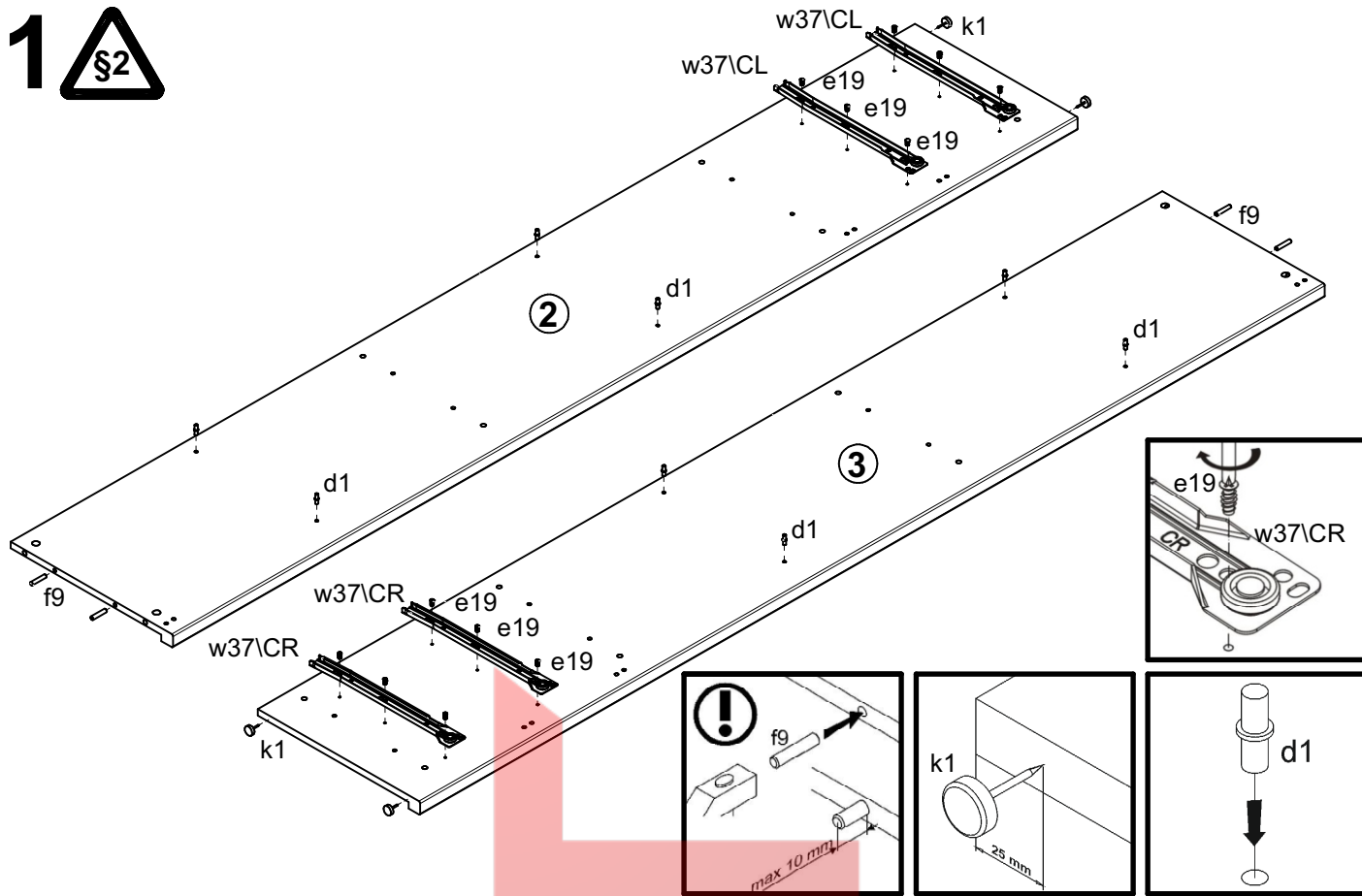
## S161-REG2S/50

A	B	C	D	
1	S161-0004	446	170	3/3
2	S161-1113	1920	345	1/3
3	S161-1114	1920	345	1/3
4	S161-202	500	348	2/3
5	S161-3302	451	342	2/3
6	S161-3307	451	342	2/3
7	S161-4402	451	44	2/3
8	S161-9903	424	305	2/3
9	S161-9910	1878	235	1/3
10	ZS3-501	300	120	2/3
11	ZS3-502	300	120	2/3
12	ZS3-5502	402	120	2/3
13	Lh-1848	1848	16	1/3

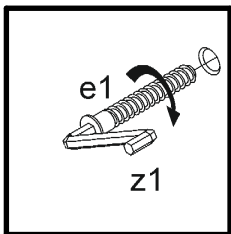
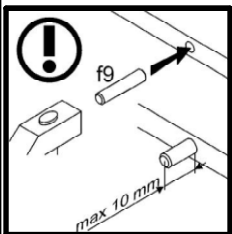
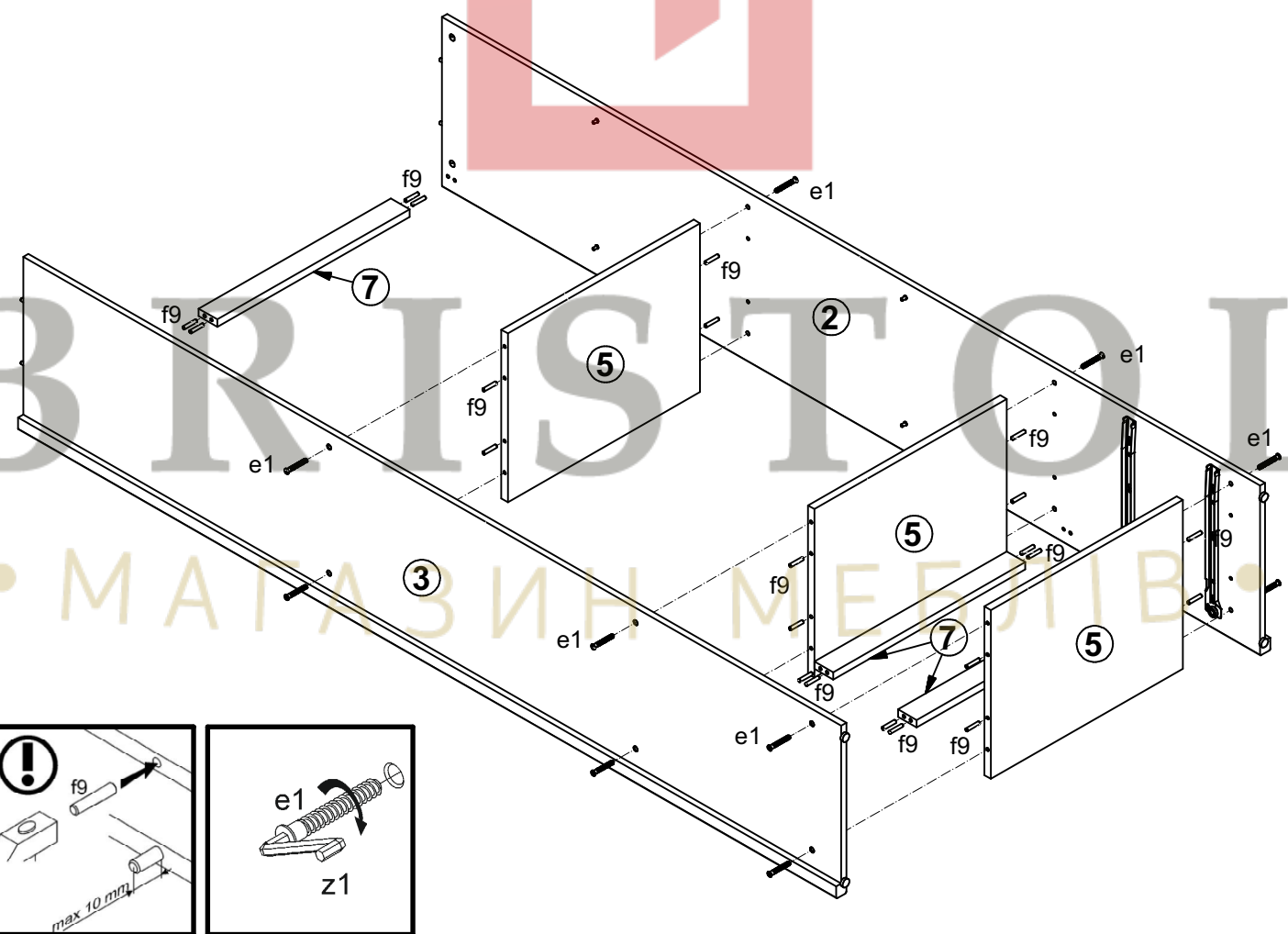


8x 5x17 mm d1	12x Ш7x50 mm e1	20x Ш5x9 mm e19	8x Ш6,5x40 mm f25	28x Ш6x30 mm f9	4x k1	55x l1	6x Ш8,5x16 mm p38	12x Ш12x10,5 mm #12 r15
12x r42	2x 300 mm w37\CL	2x 300 mm w37\CR	2x 300 mm w37\DL	2x 300 mm w37\DR	12x s1	4x Ш12 s34	1x z1	1x n26\1
1x Ш8,5x16 mm p38								

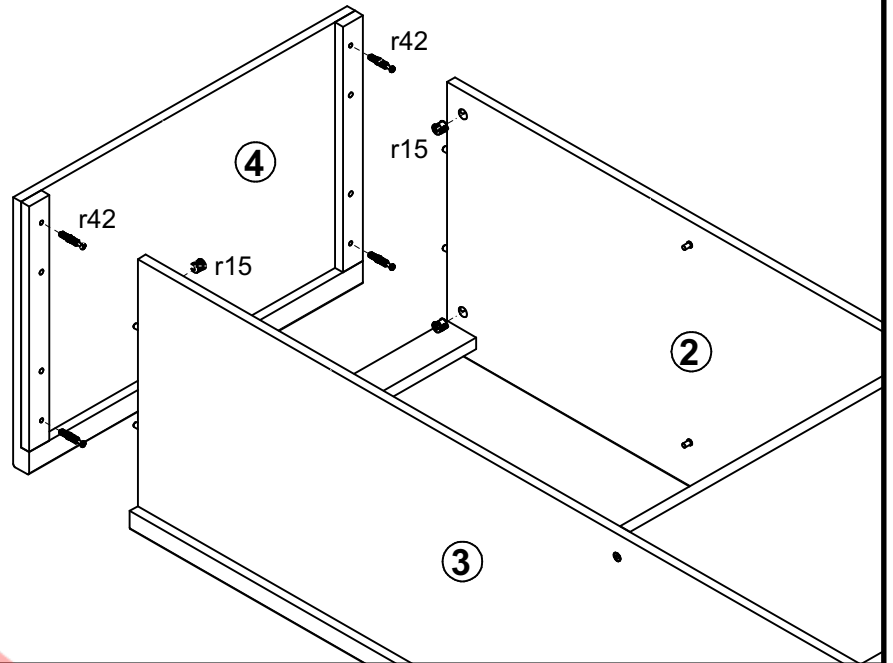
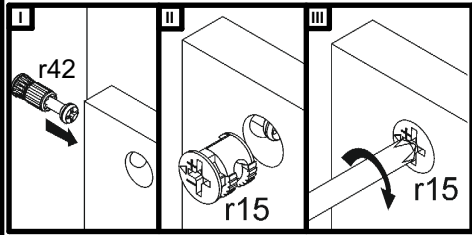
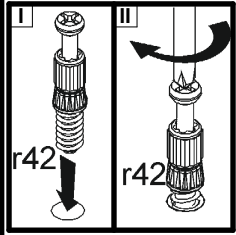
# 1



# 2



# 3



# 4

