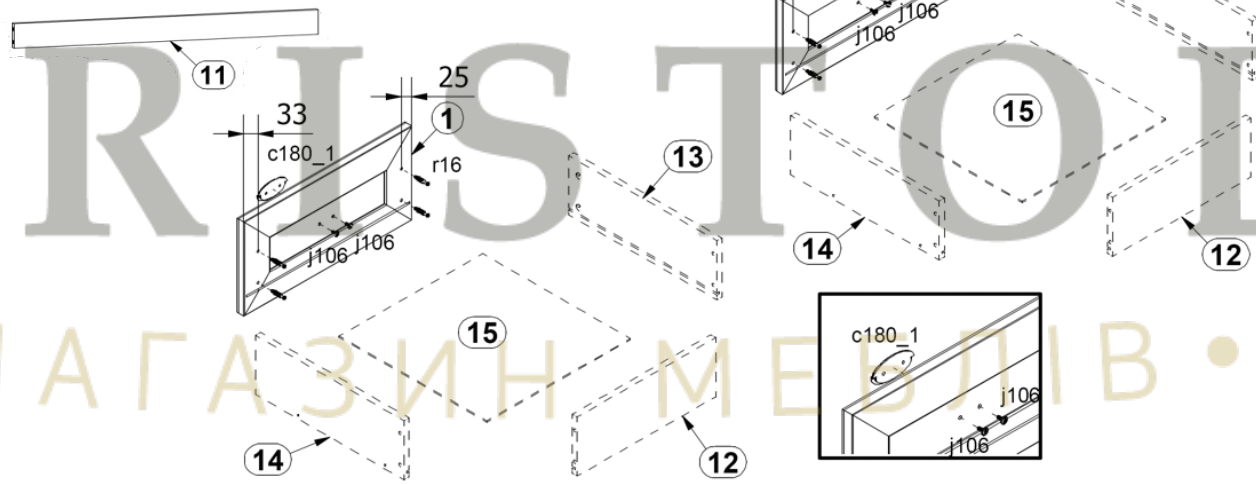
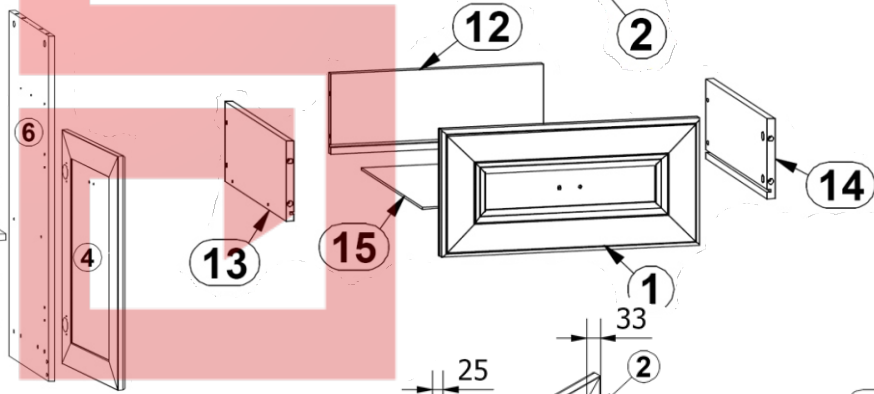
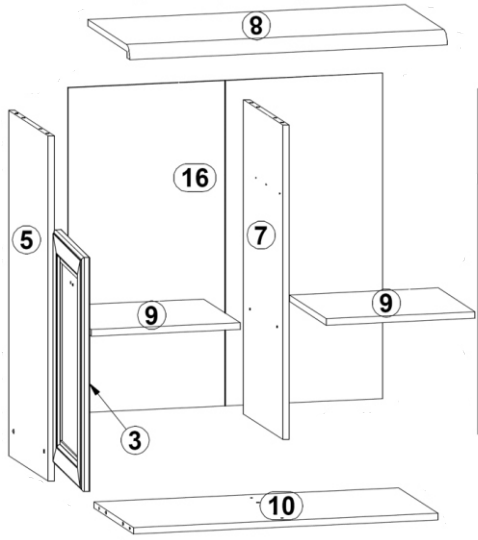
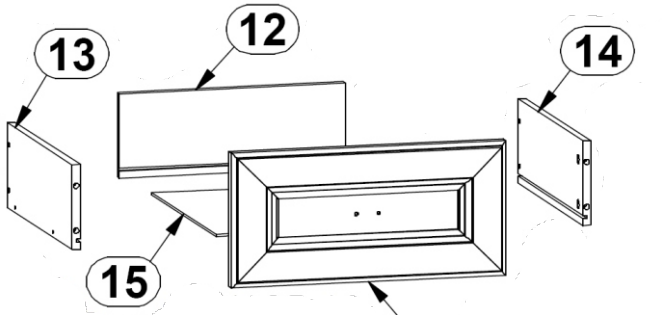
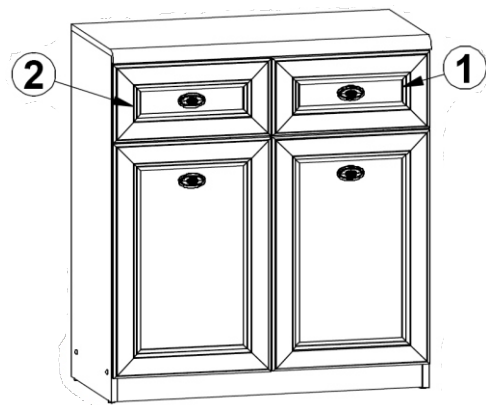


SEVILLA

KOM2D2S

A	B	C	D	
1	S48-003	396	191	3/3
2	S48-019	396	191	3/3
3	S48-020	578	396	3/3
4	S48-021	578	396	3/3
5	S48-115	853	370	1/3
6	S48-116	853	370	1/3
7	S48-117	777	370	1/3
8	S48-210	800	395	2/3
9	S48-308	375	345	1/3
10	S48-314	767	370	2/3
11	S48-405	767	60	1/3
12	S48-506	326	120	1/3
13	S48-507	350	120	1/3
14	S48-508	350	120	1/3
15	S48-908	338	348	1/3
16	S48-912	804	793	1/3



4x a44	4x b19	4x c180	8x d1	4x e1	8x e19	8x e2	9x e3	16x f1
8x f25	8x j106	4x k1	50x l1	3x p54	8x p51	8x r1	8x r15	16x r16
4x s1	5x s2	2x w45 ^{CL}	2x w45 ^{CR}	2x w45 ^{DL}	2x w45 ^{DR}	1x z1	1x n26	1x p38



BRISTOL

МАГАЗИН МЕБЕЛ

