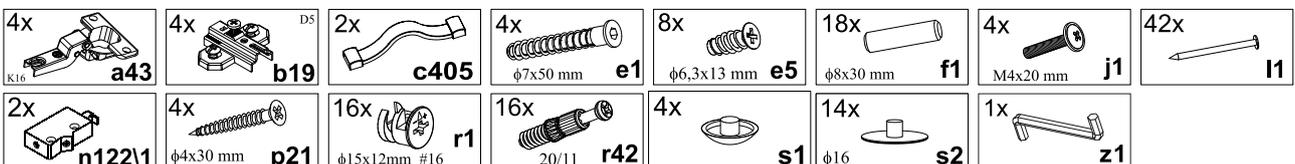
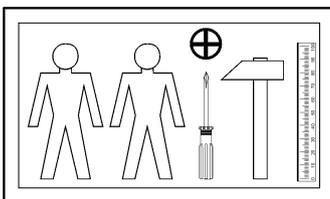
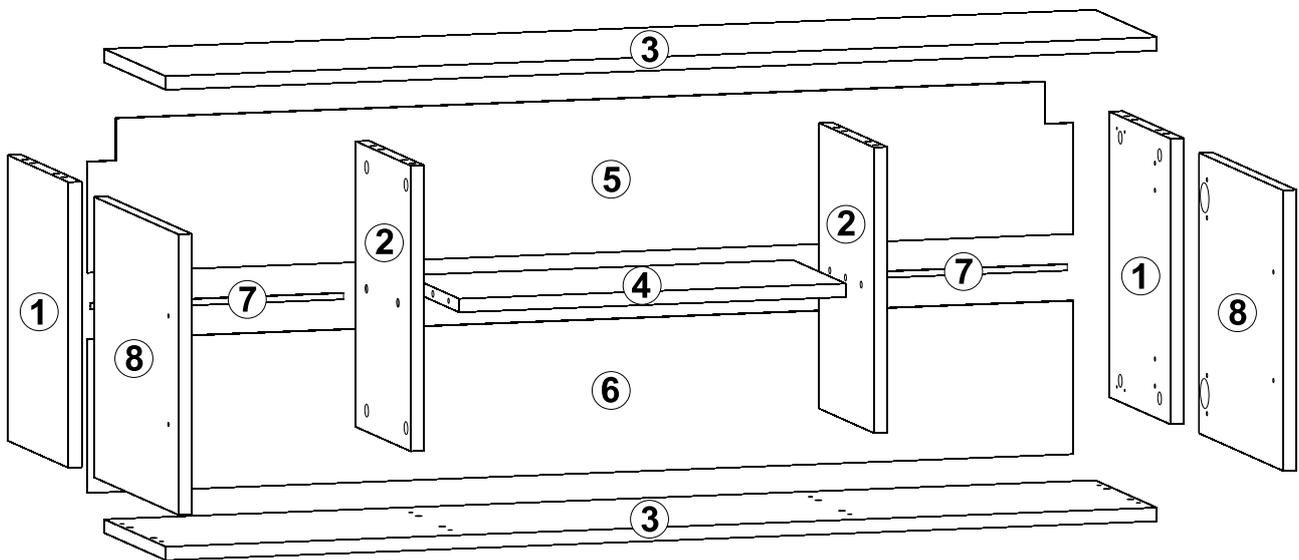
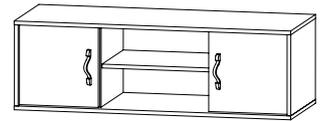
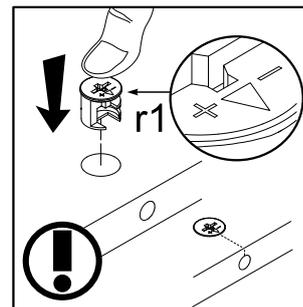
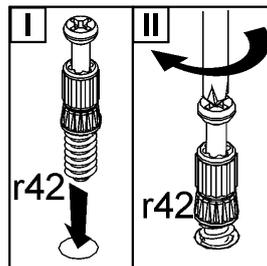
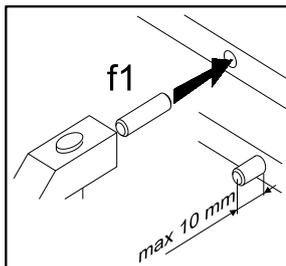
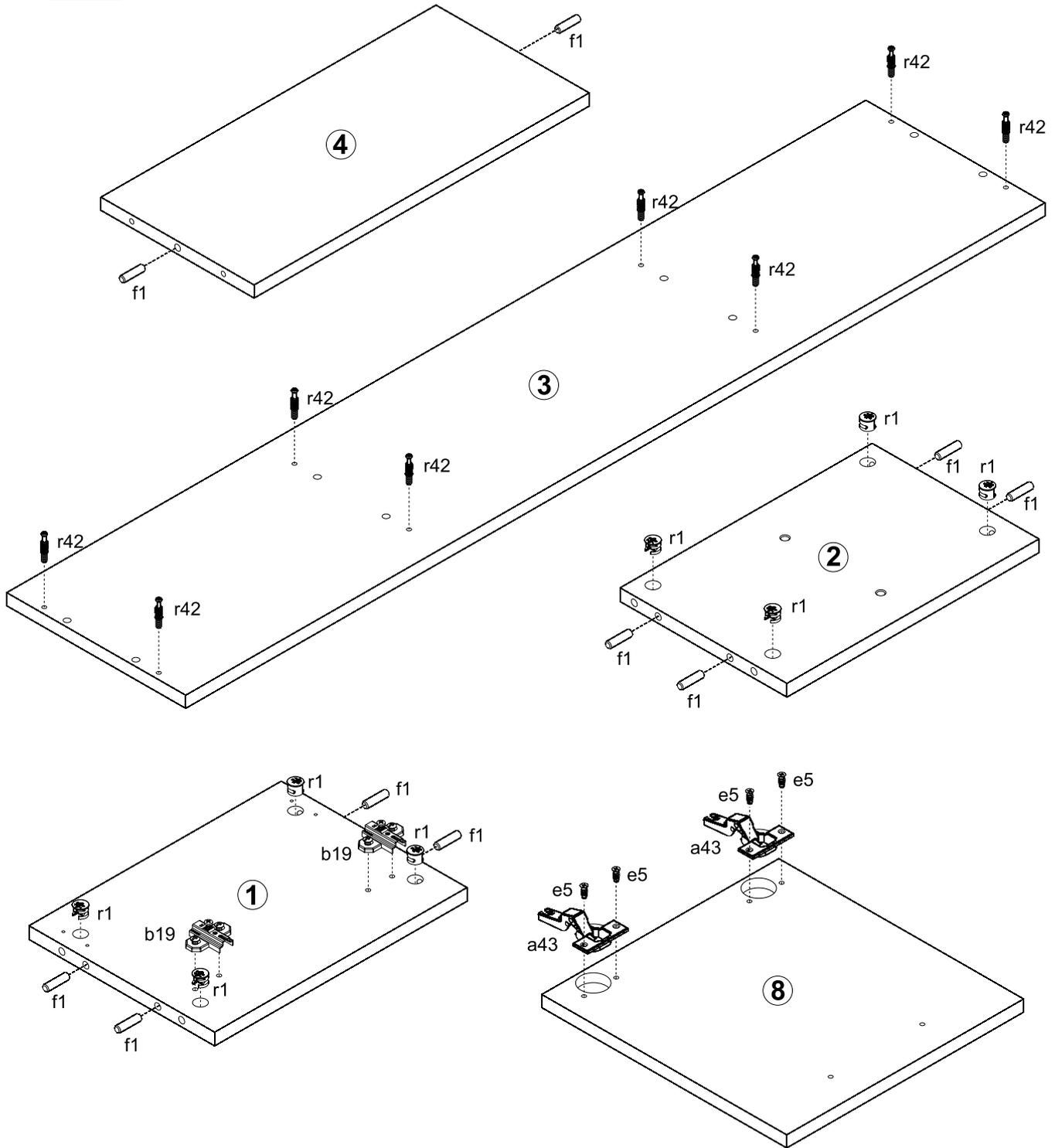


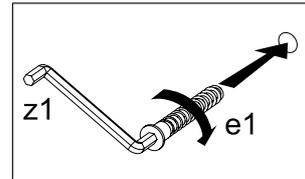
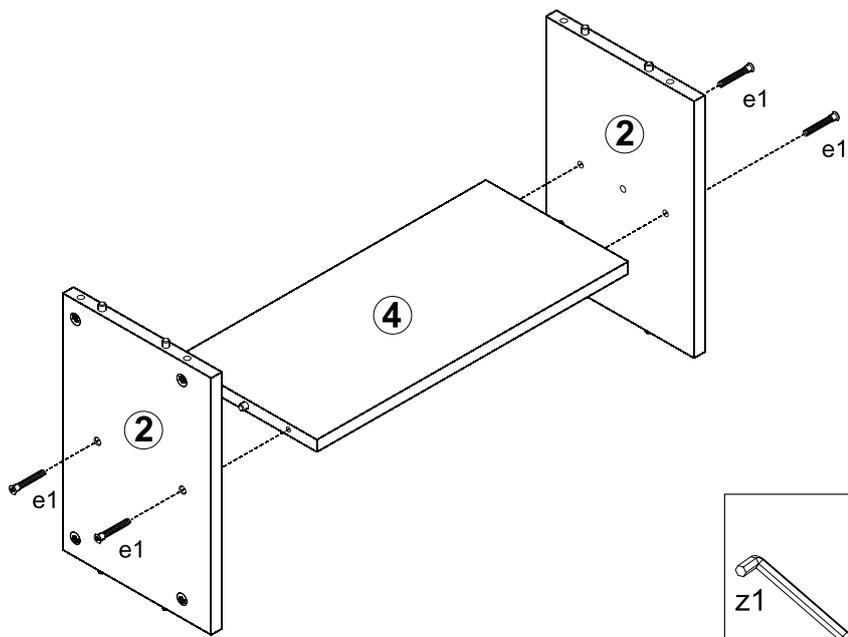
A	B	C	D	
1	FL1-125-01	337	248	1/2
2	FL1-126	337	223	1/2
3	FL1-210	1200	250	1/2
4	FL1-306	468	214	1/2
5	FL1-909-01	1194	181	1/2
6	FL1-908	1194	181	1/2
7	LH-332	332	14	1/2
8	FL1-008	331	342	2/2



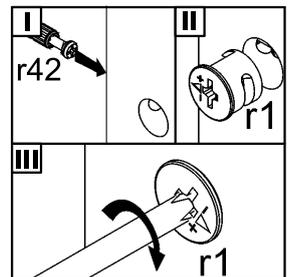
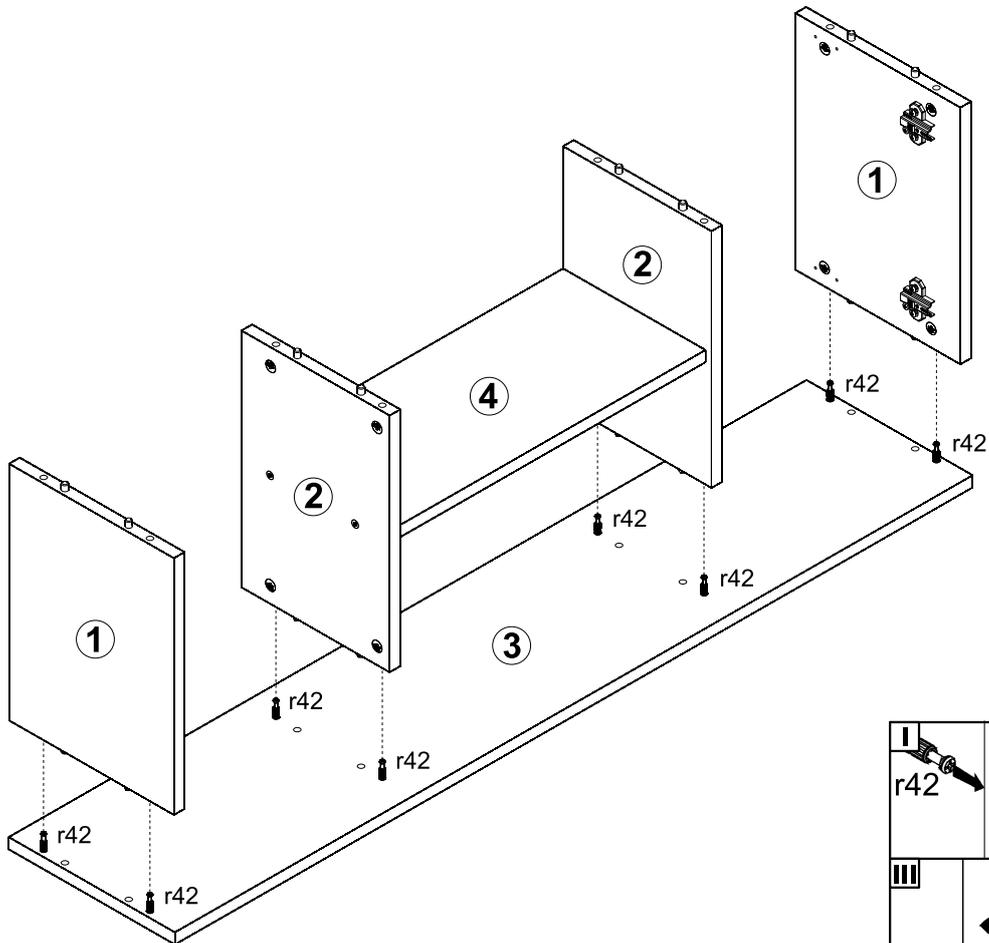
1



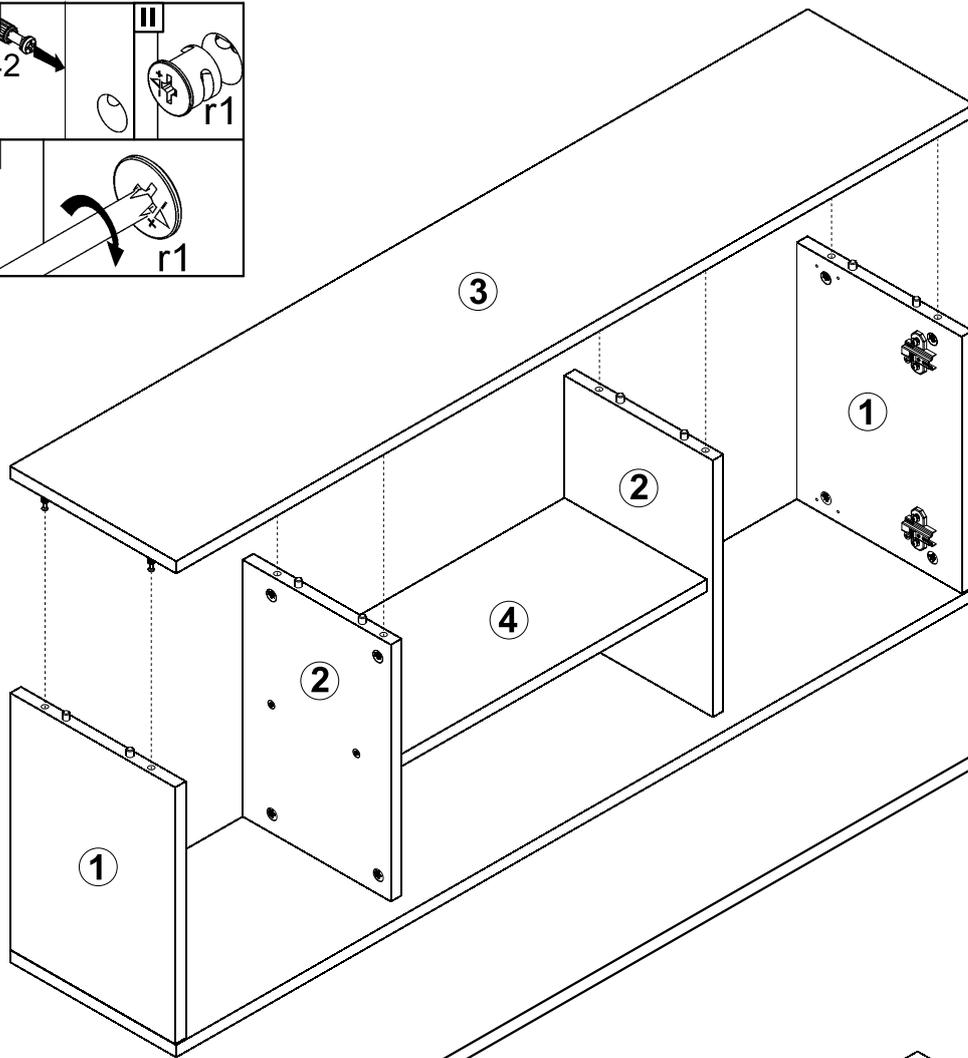
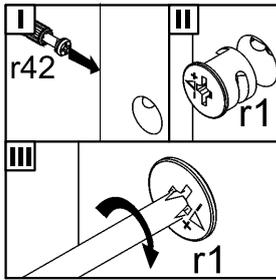
2



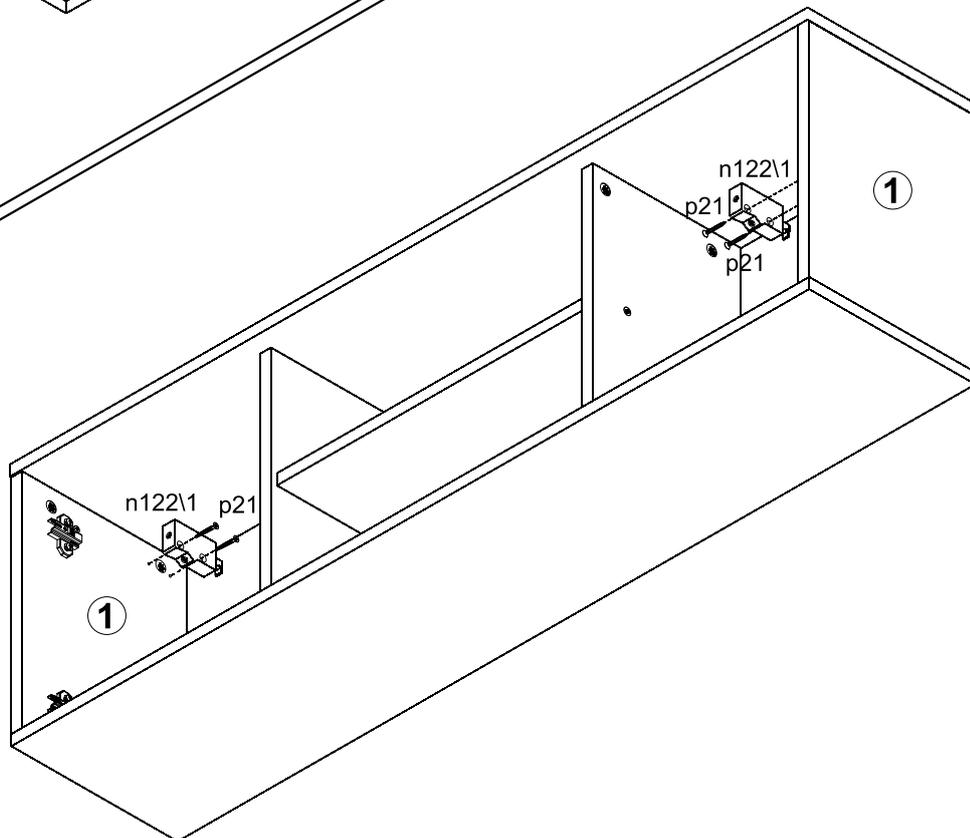
3



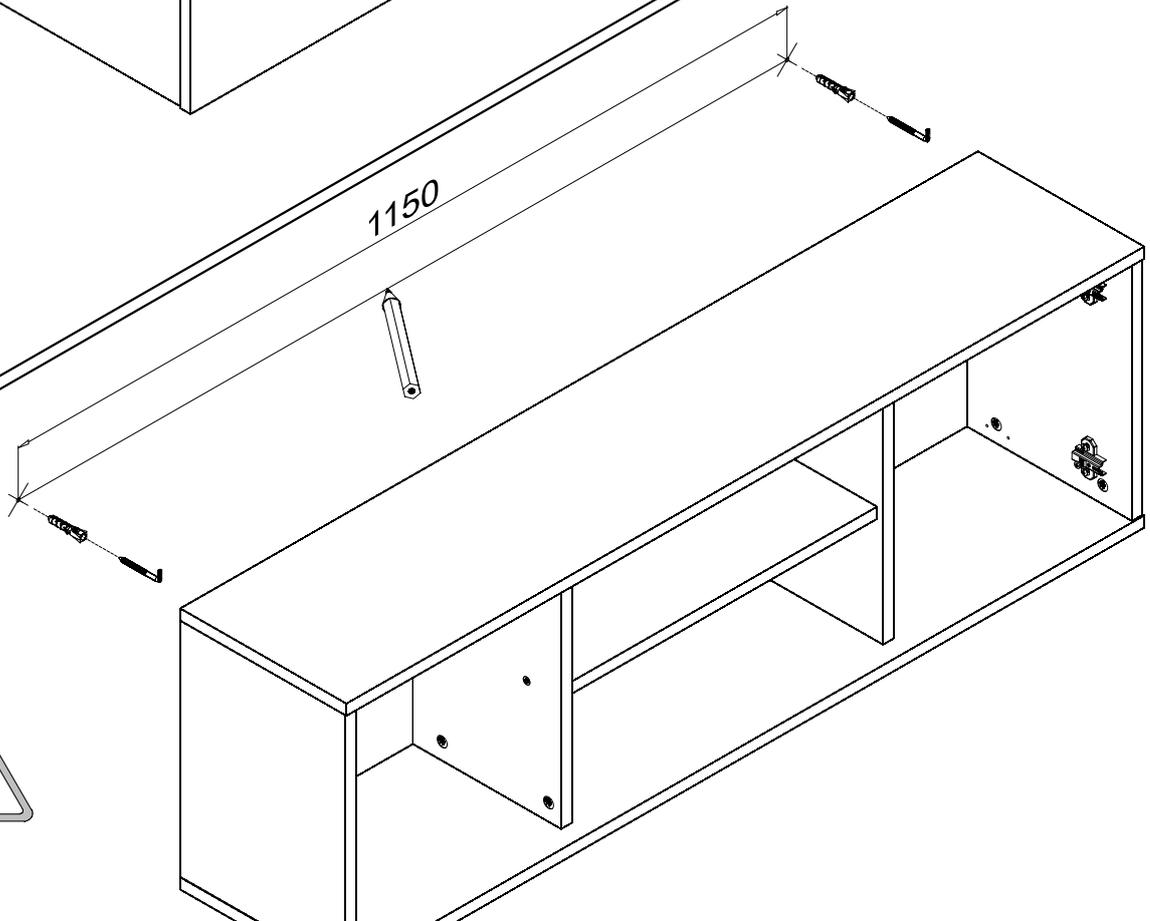
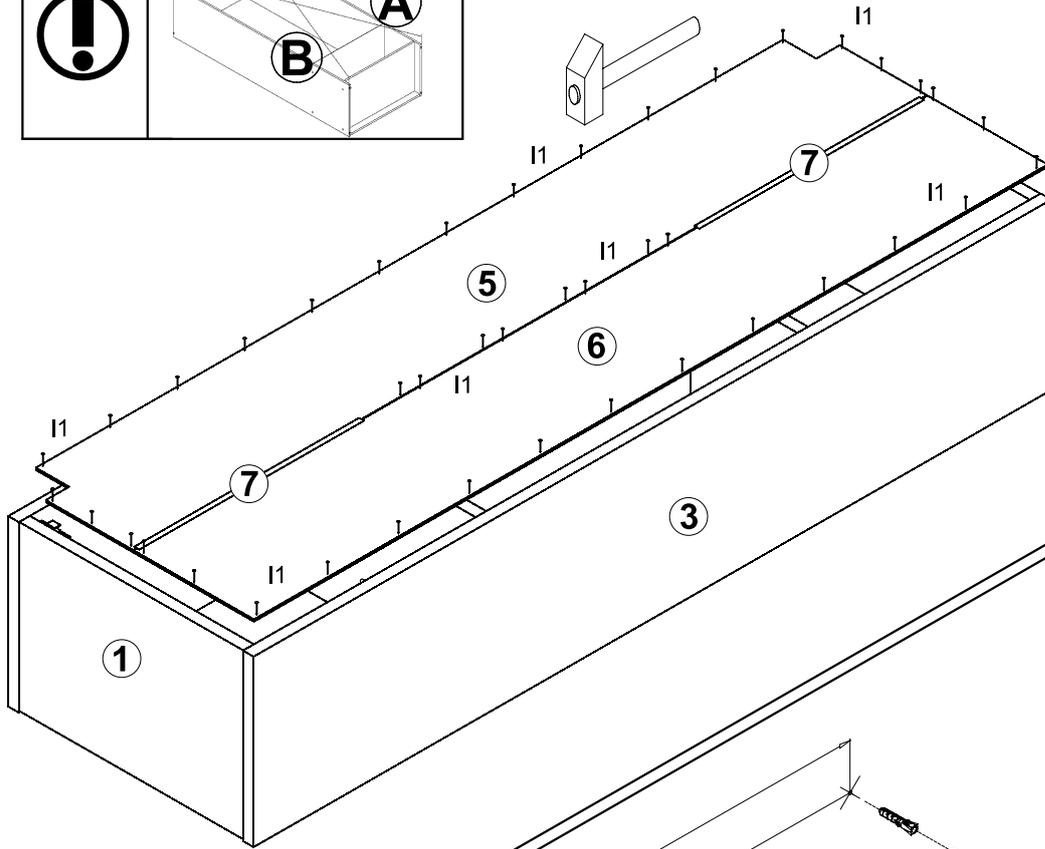
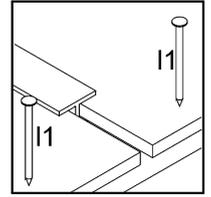
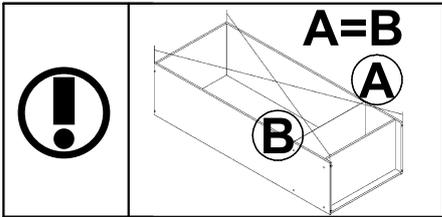
4



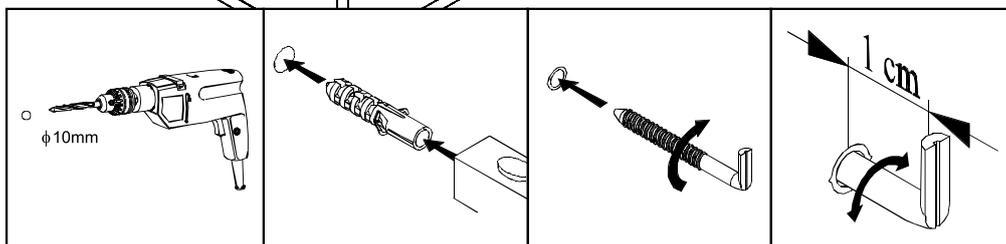
5



6



7



8

