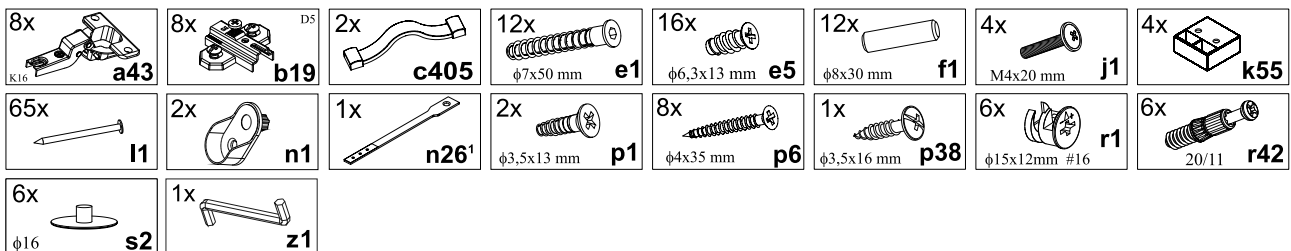
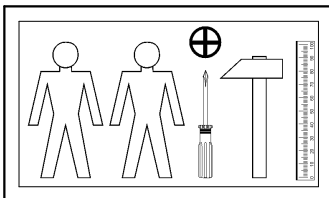
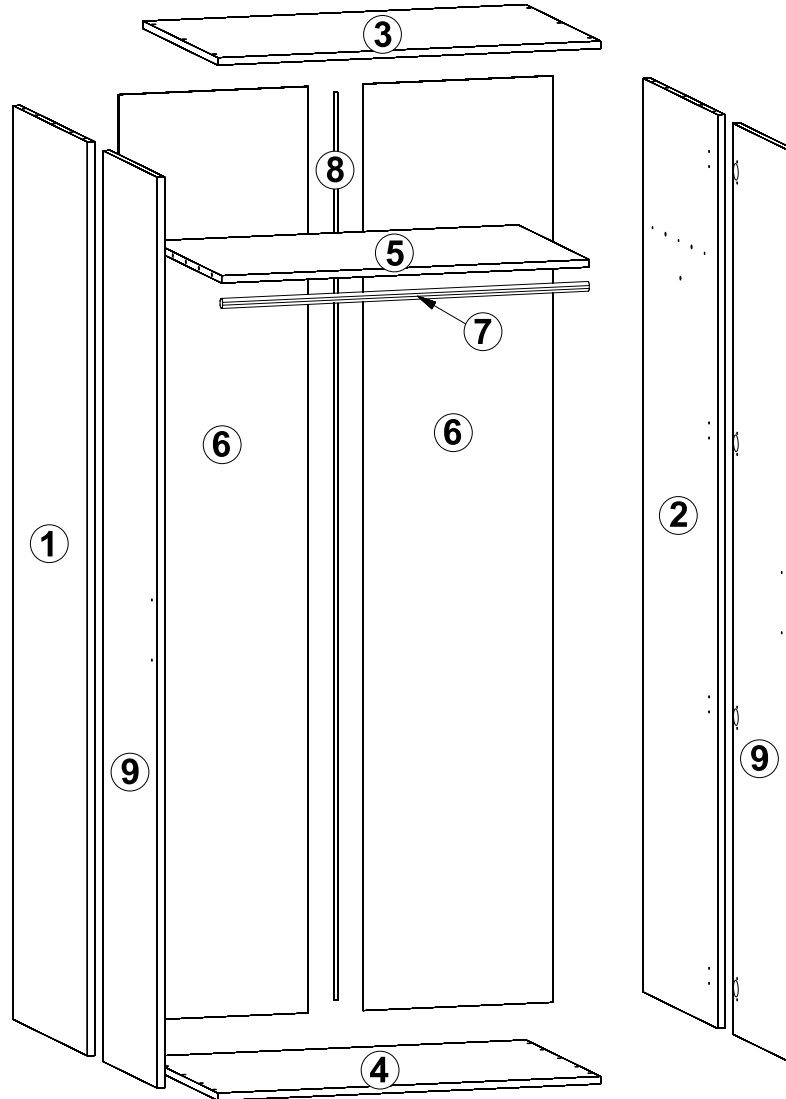
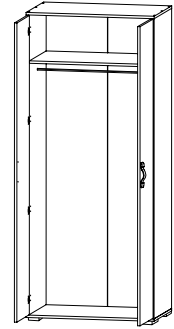
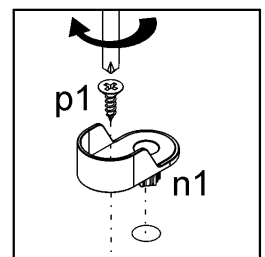
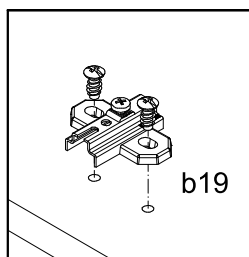
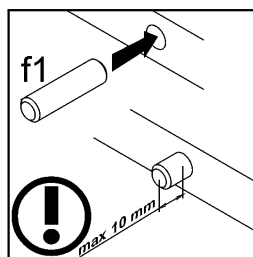
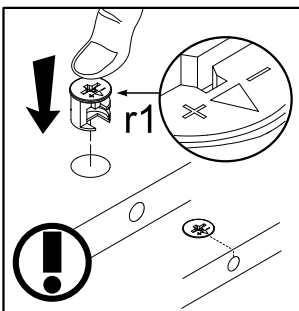
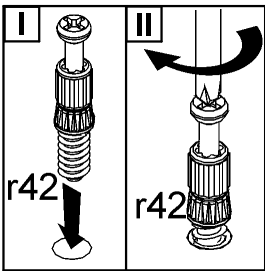
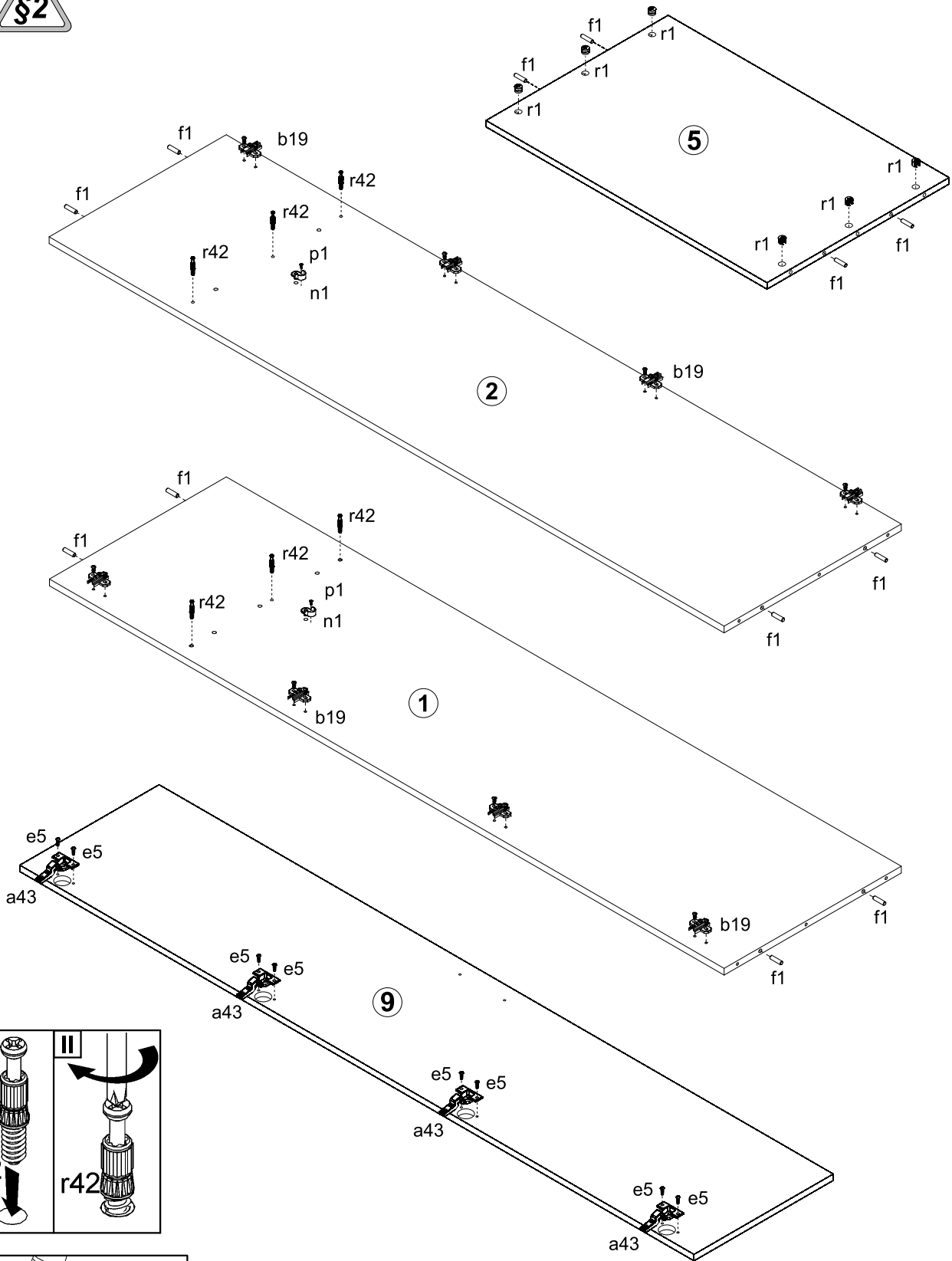


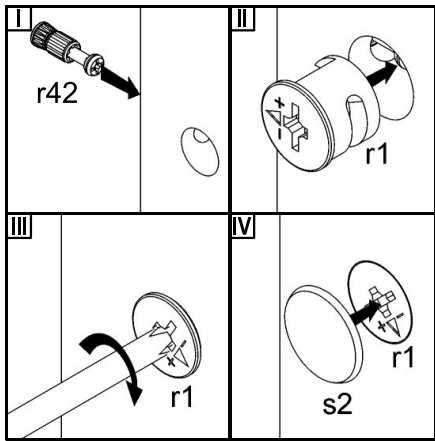
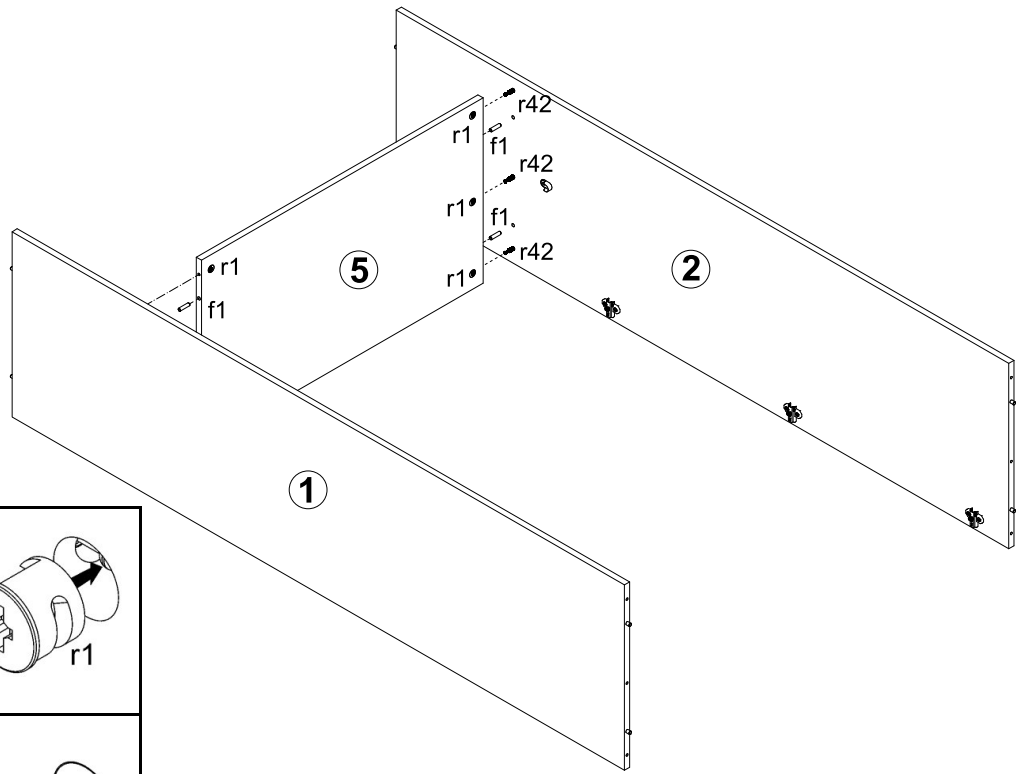
| A | B       | C    | D       |
|---|---------|------|---------|
| 1 | FL1-114 | 1942 | 548 1/2 |
| 2 | FL1-115 | 1942 | 548 1/2 |
| 3 | FL1-201 | 840  | 550 1/2 |
| 4 | FL1-202 | 840  | 550 1/2 |
| 5 | FL1-301 | 807  | 523 1/2 |
| 6 | FL1-902 | 1969 | 416 1/2 |
| 7 | DR-802  | 802  | 26 1/2  |
| 8 | LH-1941 | 1941 | 14 1/2  |
| 9 | FL1-002 | 1936 | 400 2/2 |



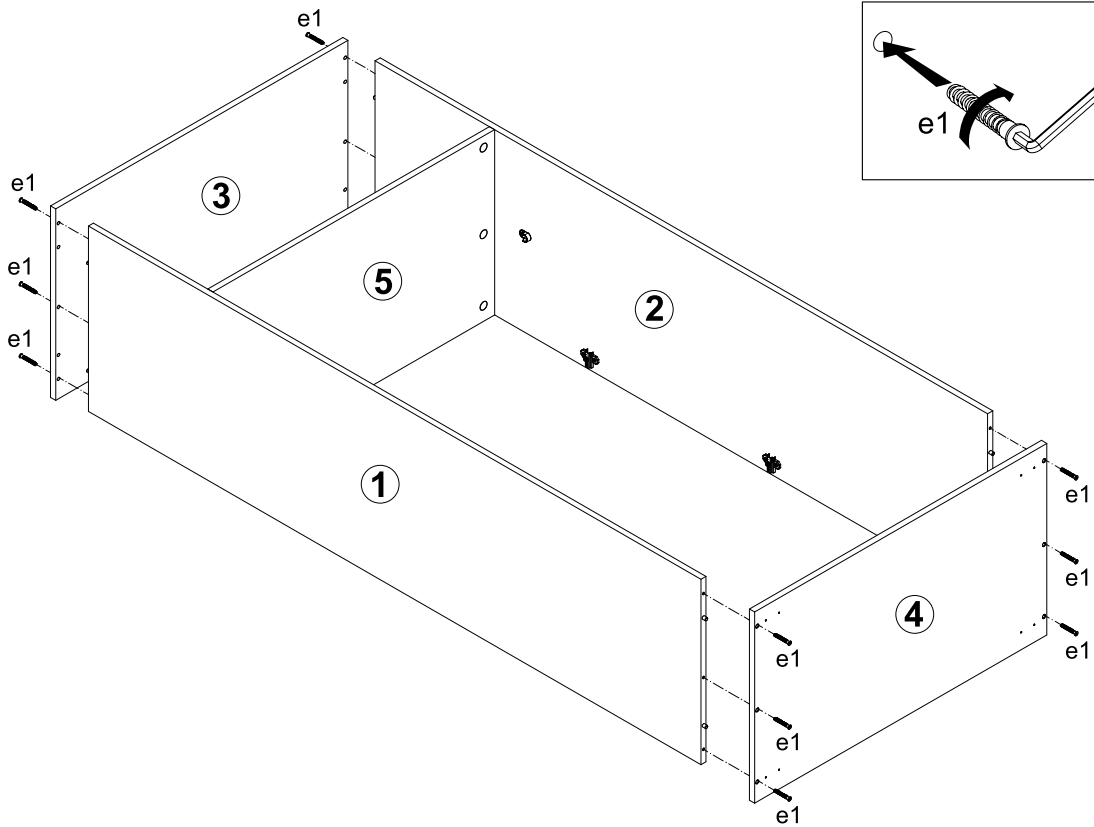
# 1



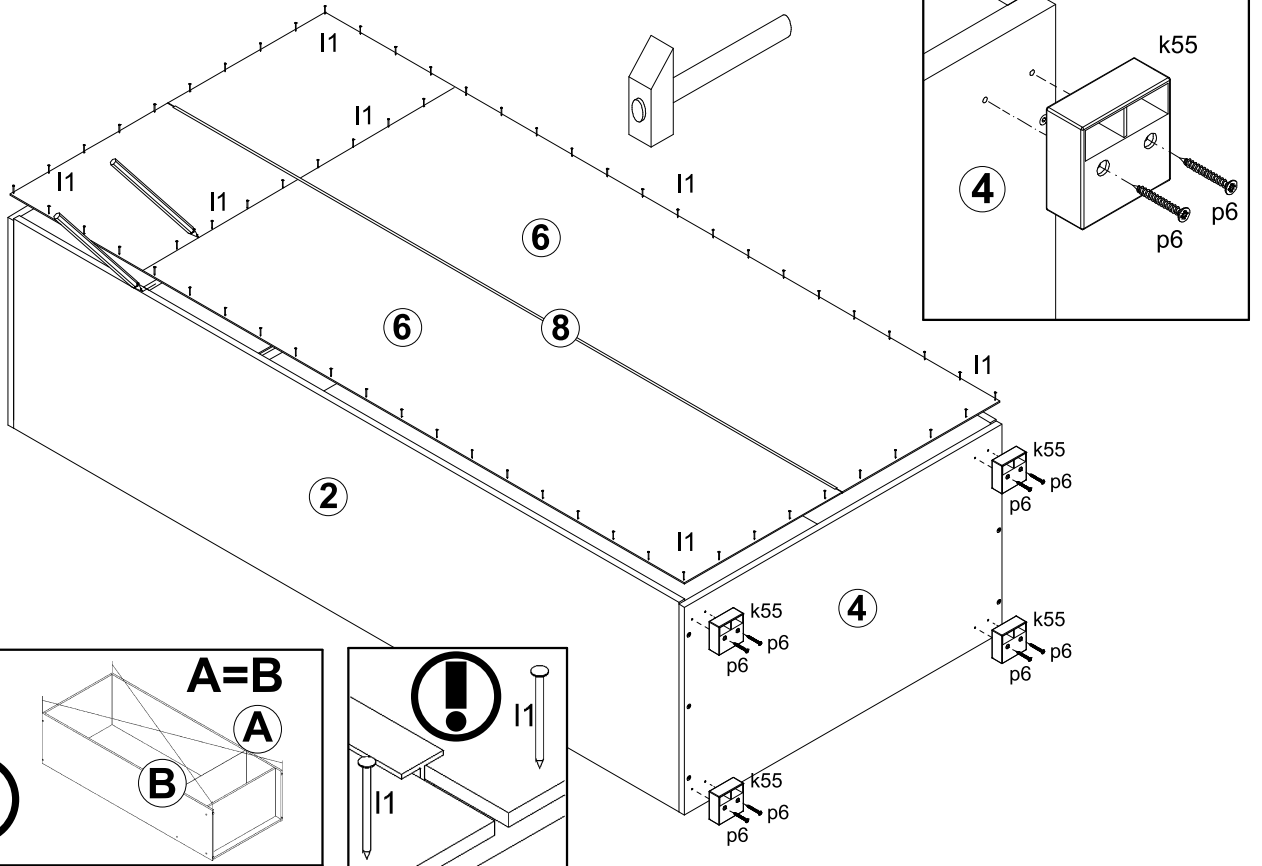
# 2



# 3



# 4



# 5

