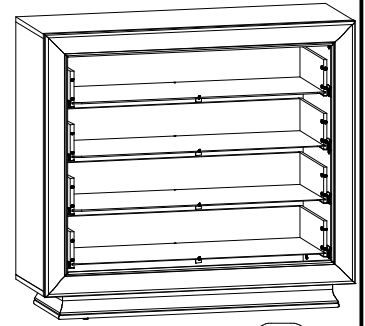
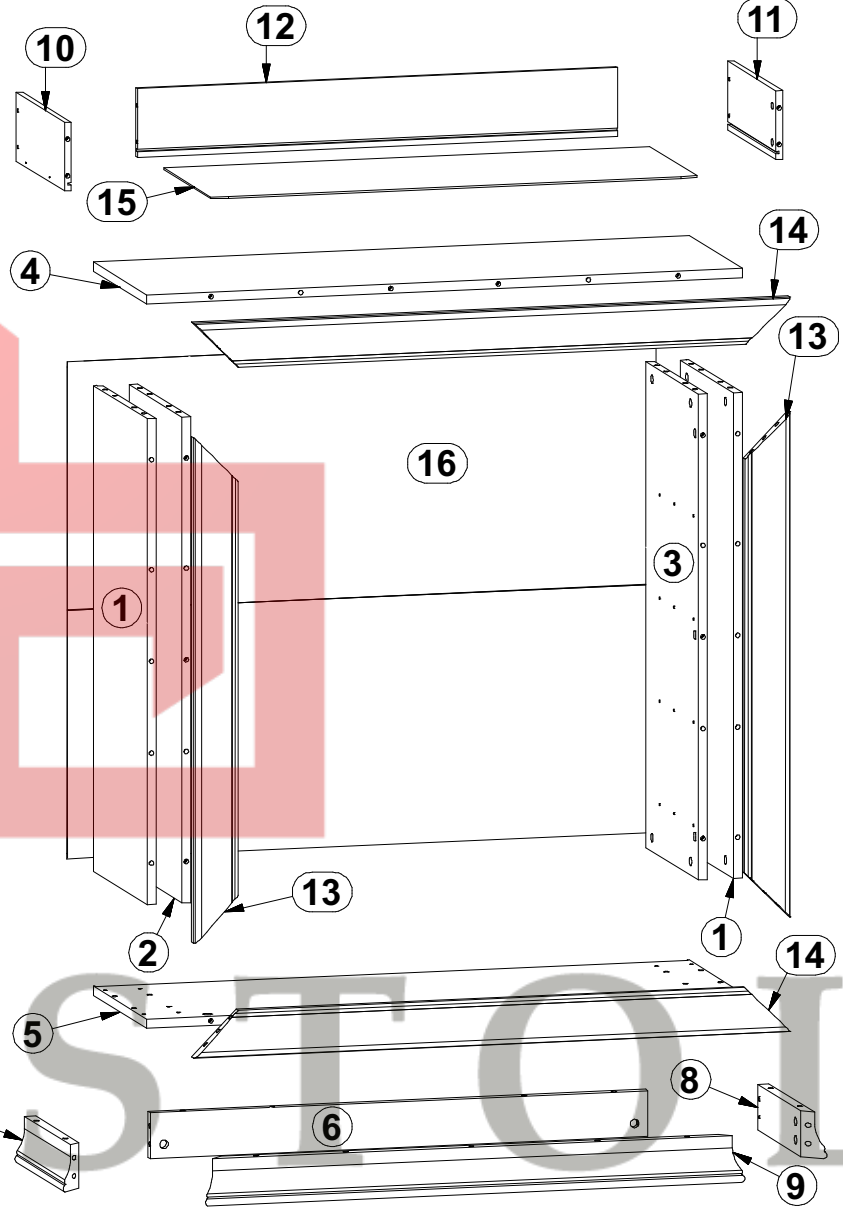


# LARGO Classic

# KOM4S/11



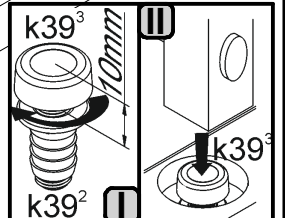
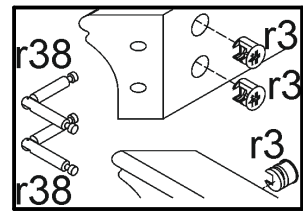
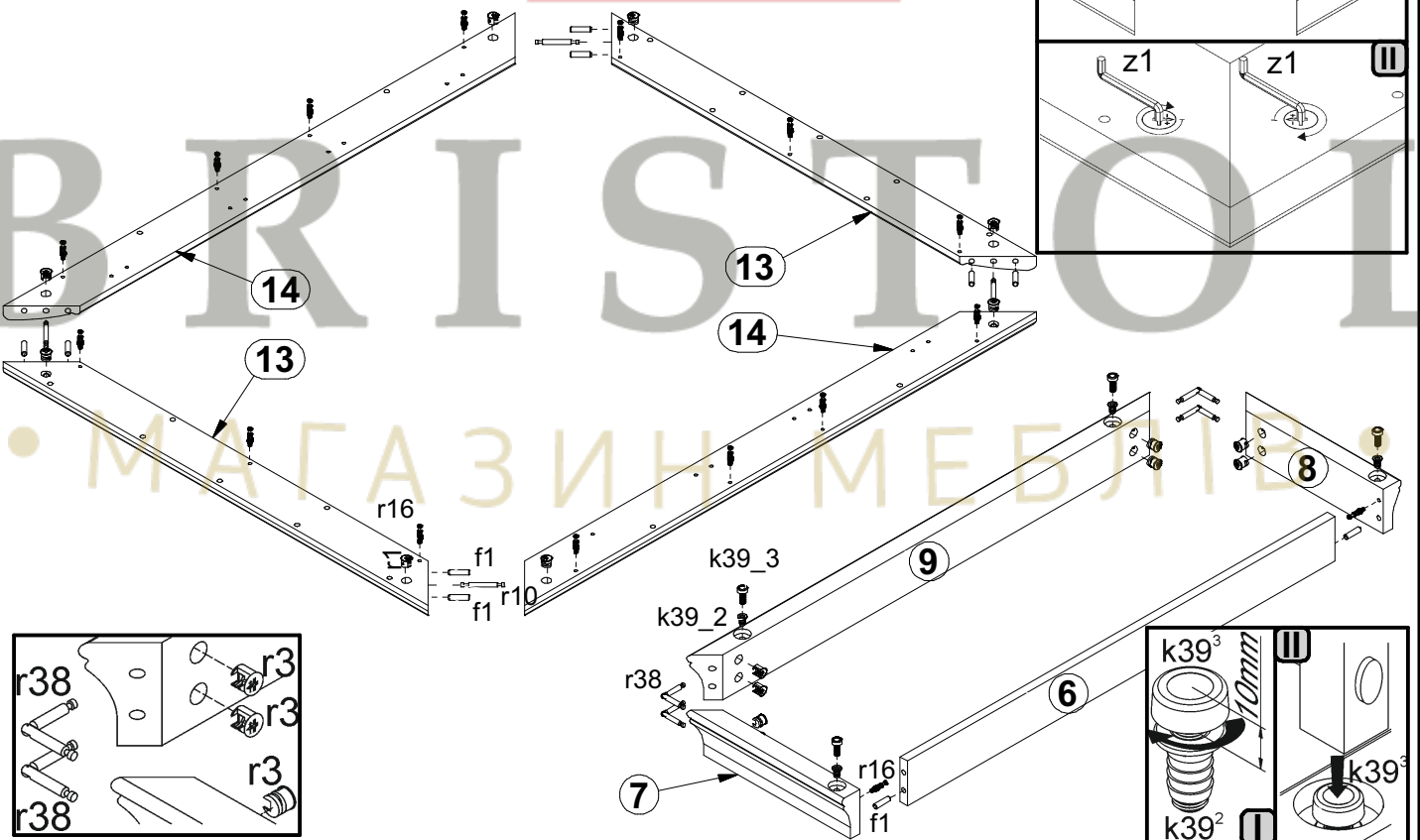
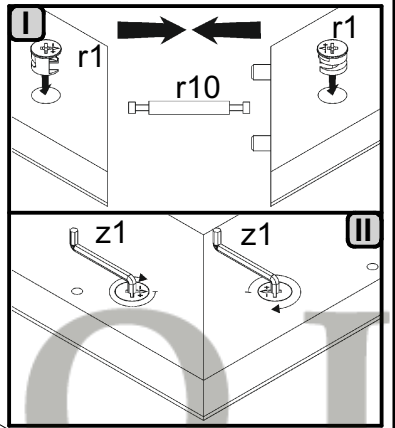
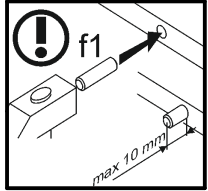
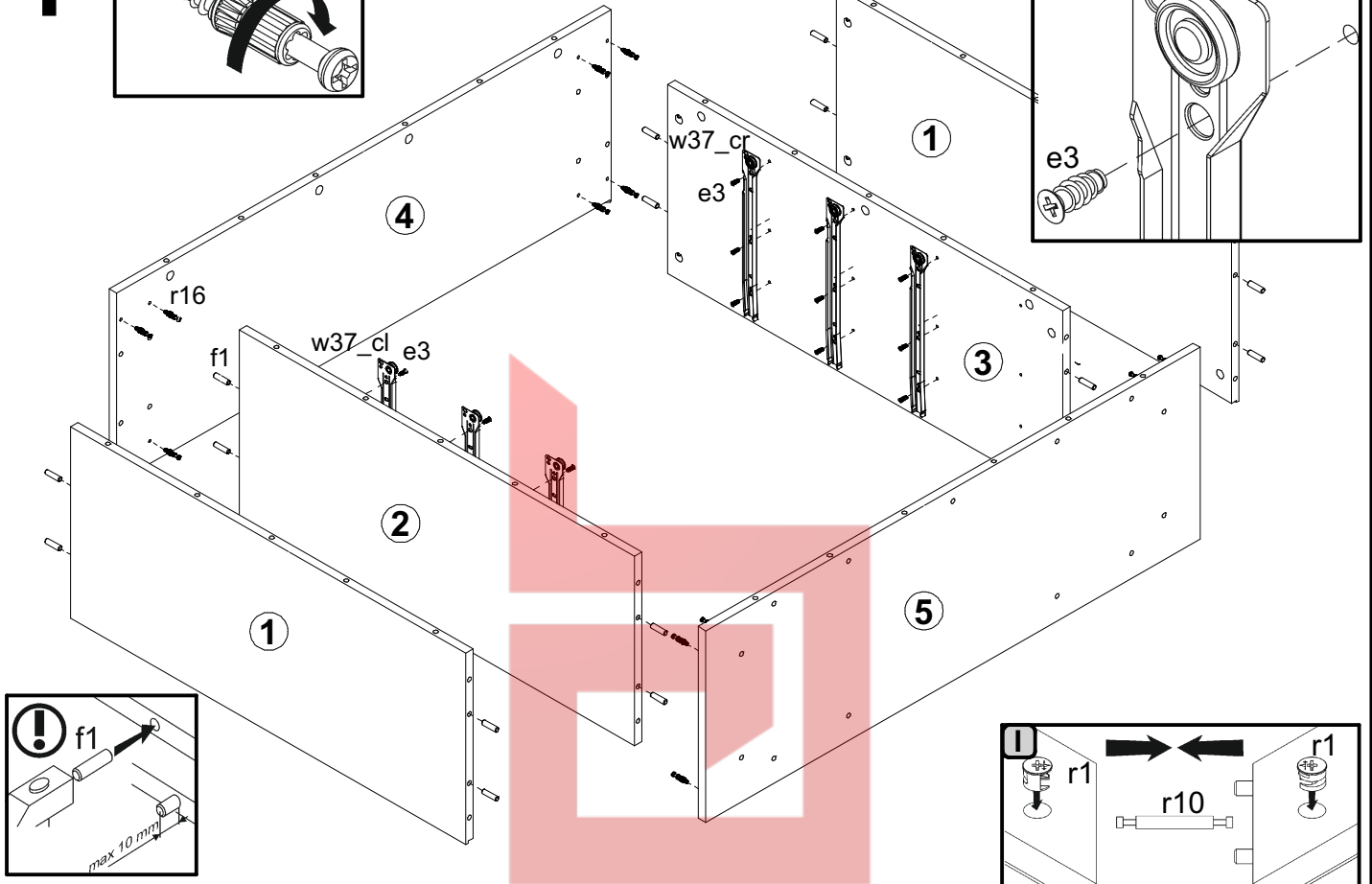
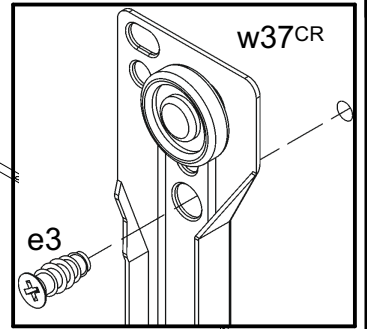
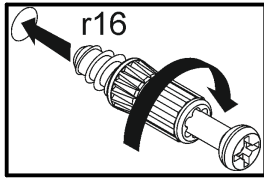
A	B	C	D	
1	S56-1101	848	351	1/5
2	S56-102	848	351	1/5
3	S56-103	848	351	1/5
4	S56-2203	1061	351	2/5
5	S56-2204	1061	351	2/5
6	S56-401	886	80	2/5
7	S56-452	322	80	4/5
8	S56-453	322	80	4/5
9	S56-454	960	80	4/5
10	S56-501	320	120	1/5
11	S56-502	320	120	1/5
12	S56-503	855	120	1/5
13	S56-570	882	80	3/5
14	S56-572	1062	80	3/5
15	S56-903	866	318	2/5
16	S56-9951	1048	867	2/5



24x φ6x13 mm e3	57x φ8x30 mm f1	16x φ6.5x40 mm f25	4x M6/φ9x14 mm k39 <sup>2</sup>	4x M6/22mm k39 <sup>3</sup>	40x l1	8x φ3.5x16 mm p25	16x φ3x12 mm p54	40x φ1.5x12mm #16 r1
8x φ1.5x15mm #22 r3	4x r10	16x φ12x10.5mm #12 r15	48x r16	4x r38	4x 303 mm t15	4x 300 mm w37 <sup>CL</sup>	4x 300 mm w37 <sup>CR</sup>	4x 300 mm w37 <sup>DL</sup>
4x 300 mm w37 <sup>DR</sup>	1x GLUE y1	1x z1	1x n26 <sup>1</sup>	1x φ3.5x16 mm p38				

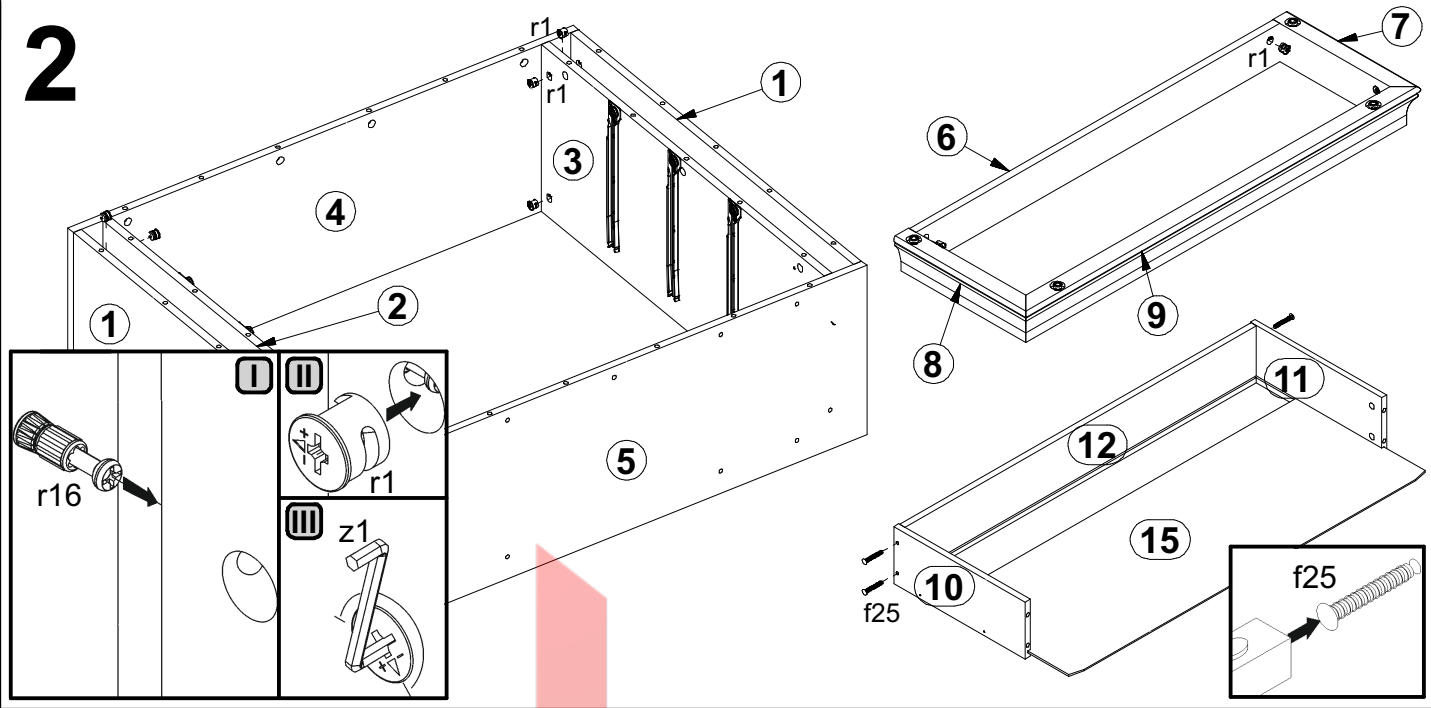


1

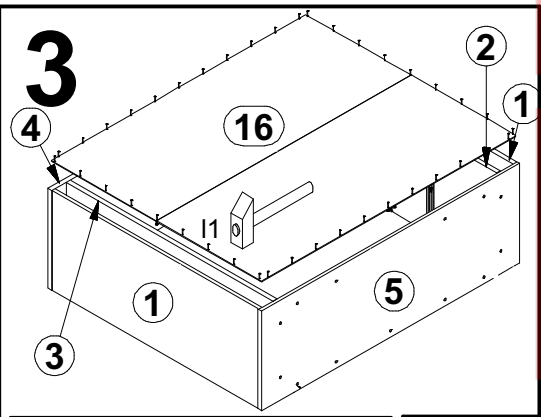




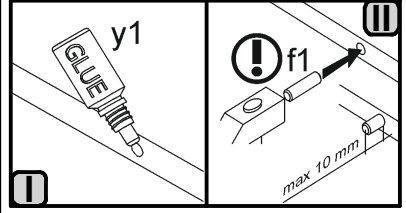
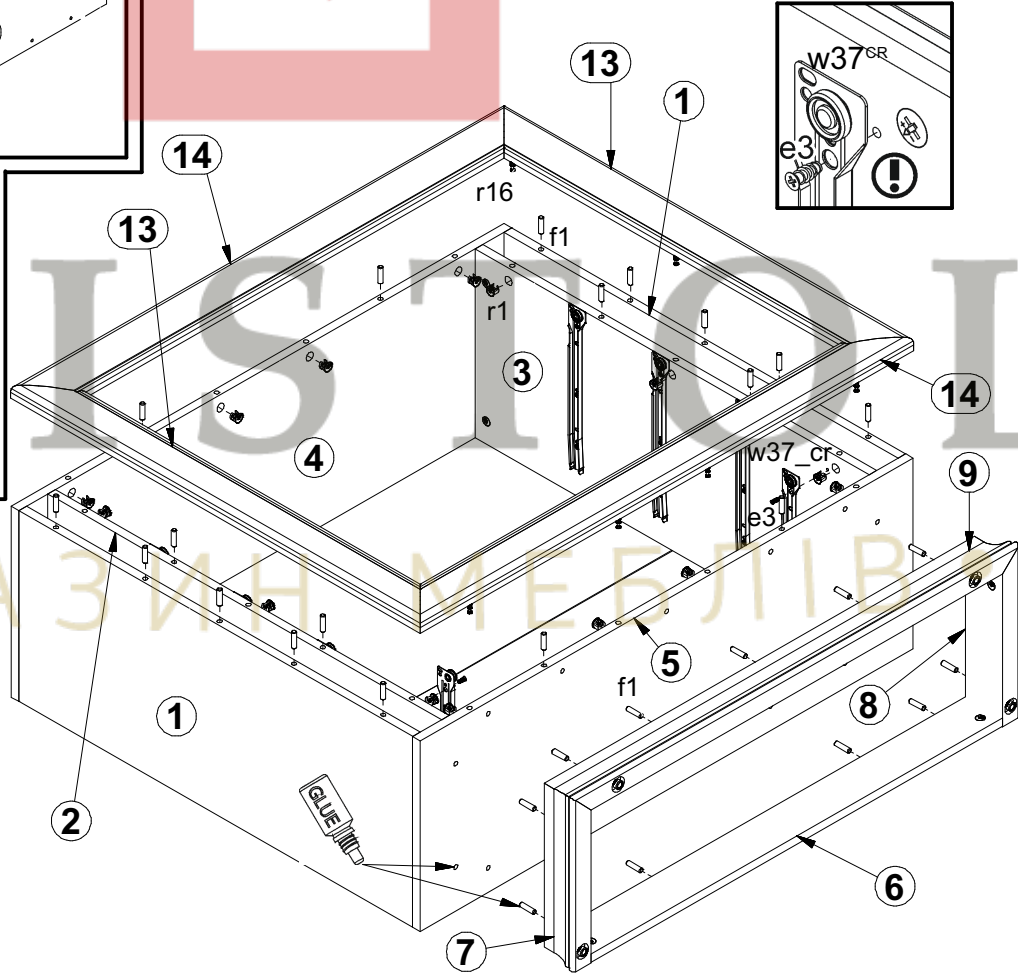
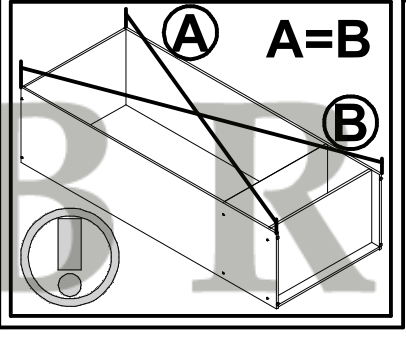
2



3



4



# LARGO Classic

## KOM4S/11

A	B	C	D	
1	S56-013	896	176	5/5
2	S56-014	896	176	5/5
3	S56-015	896	176	5/5

