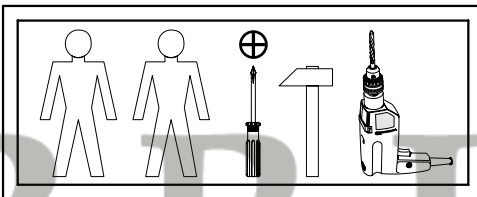
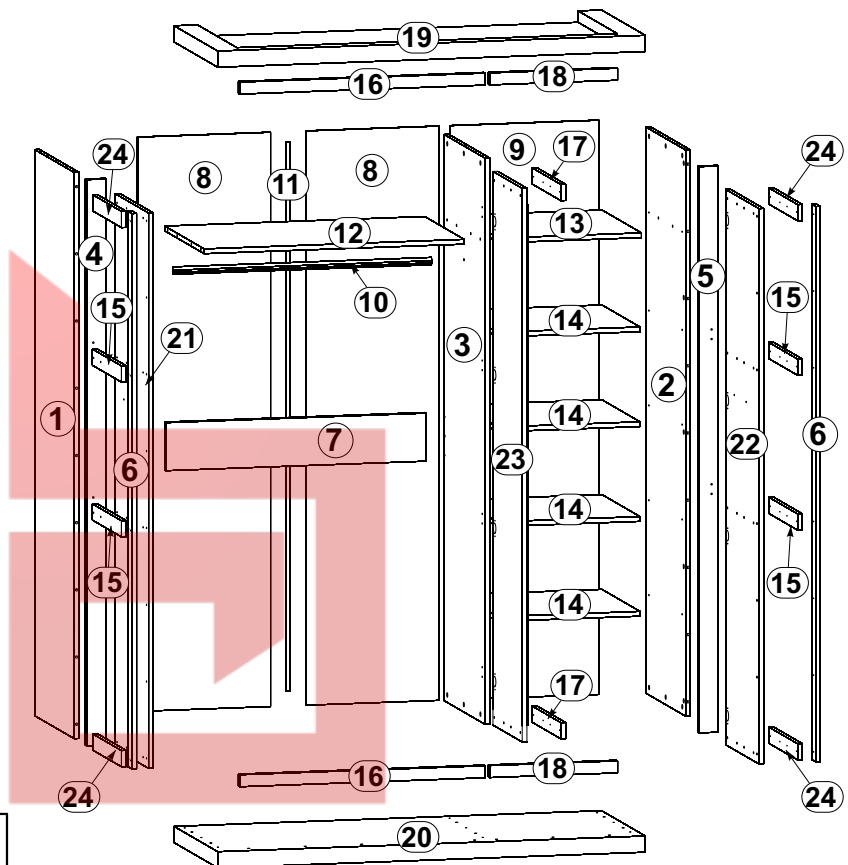
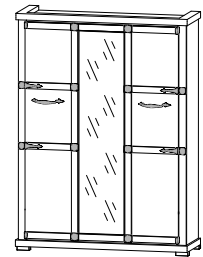
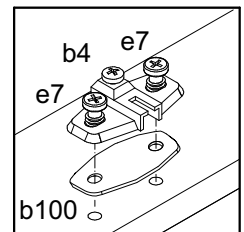
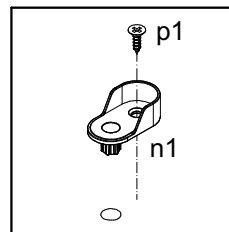
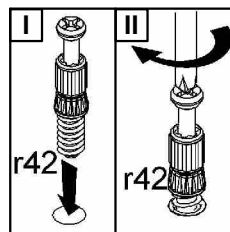
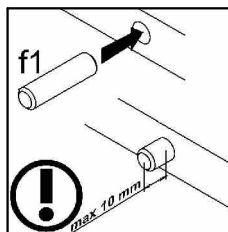
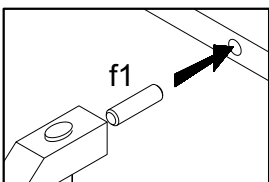
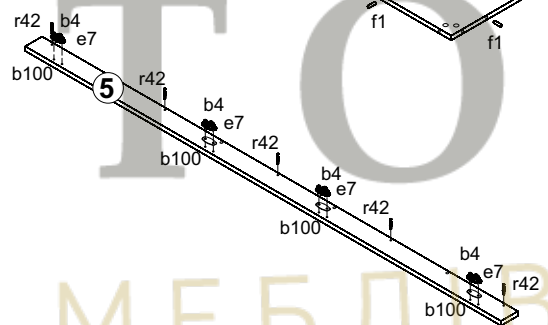
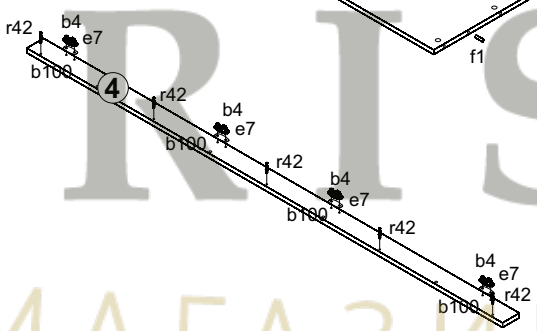
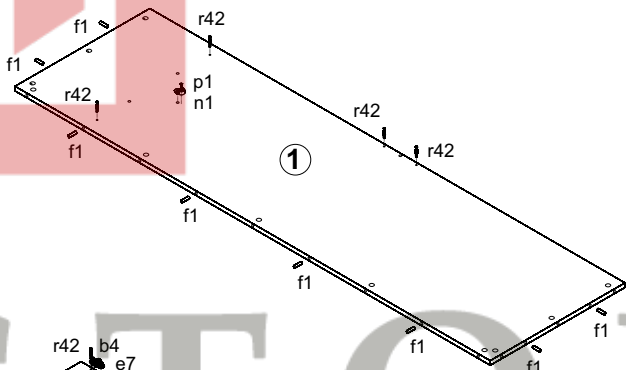
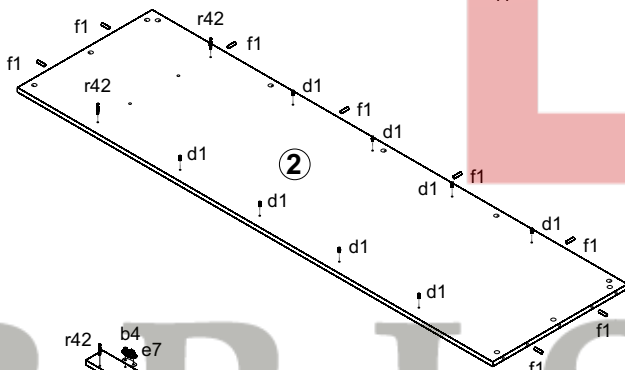
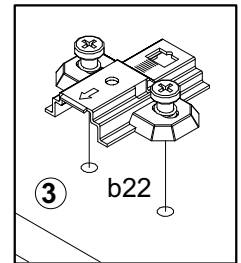
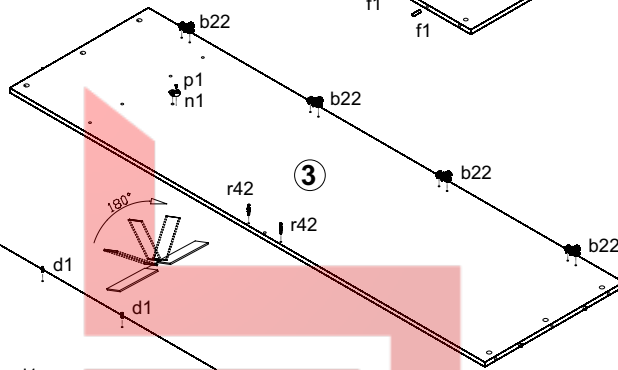
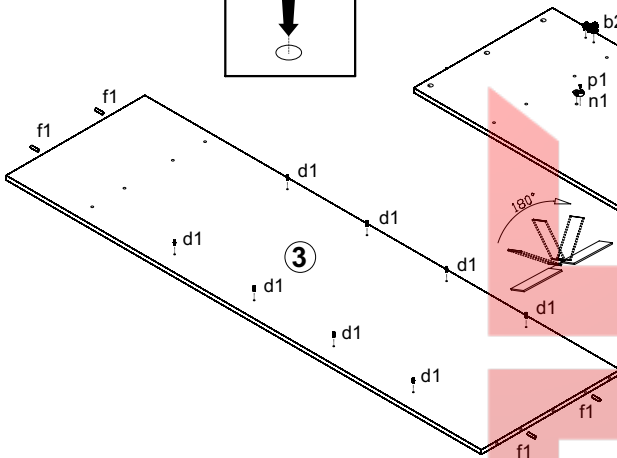
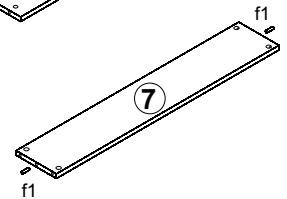
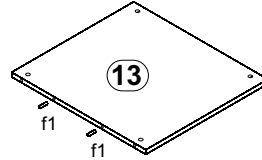
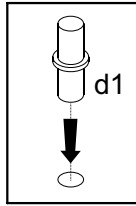
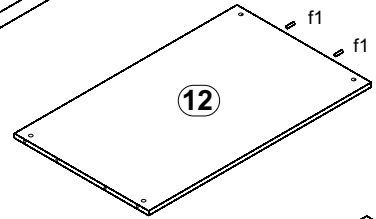
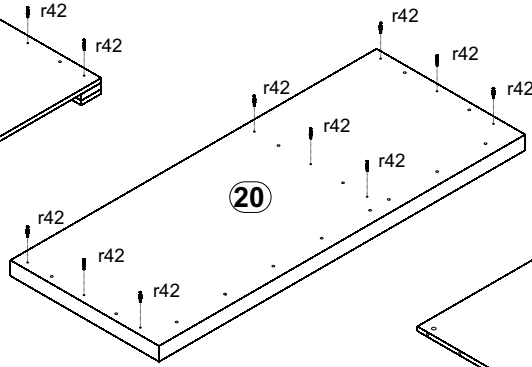
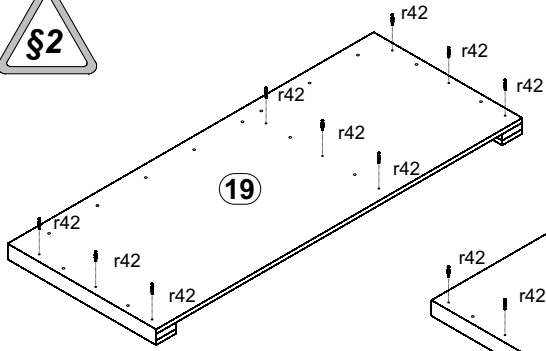


A	B	C	D	
1	RD1-105	1887	535	1/4
2	RD1-123	1887	535	1/4
3	RD1-124	1887	551	1/4
4	RD1-417	1887	67	1/4
5	RD1-469	1887	67	1/4
6	RD1-490	1851	54	1/4
7	RD1-4403	884	160	1/4
8	RD1-913	1914	452	1/4
9	RD1-912	1914	506	1/4
10	DR-879	879	26	1/4
11	LH-1886	1886	14	1/4
12	RD1-323	884	533	2/4
13	RD1-324	485	533	2/4
14	RD1-325	485	513	2/4
15	RD1-412	392	54	2/4
16	RD1-4462	833	40	2/4
17	RD1-4463	395	54	2/4
18	RD1-493	434	40	2/4
19	RD1-227	1454	590	3/4
20	RD1-228	1454	590	3/4
21	RD1-020	1851	449	4/4
22	RD1-021	1851	449	4/4
23	RD1-047	1851	395	4/4
24	RD1-419	390	54	4/4

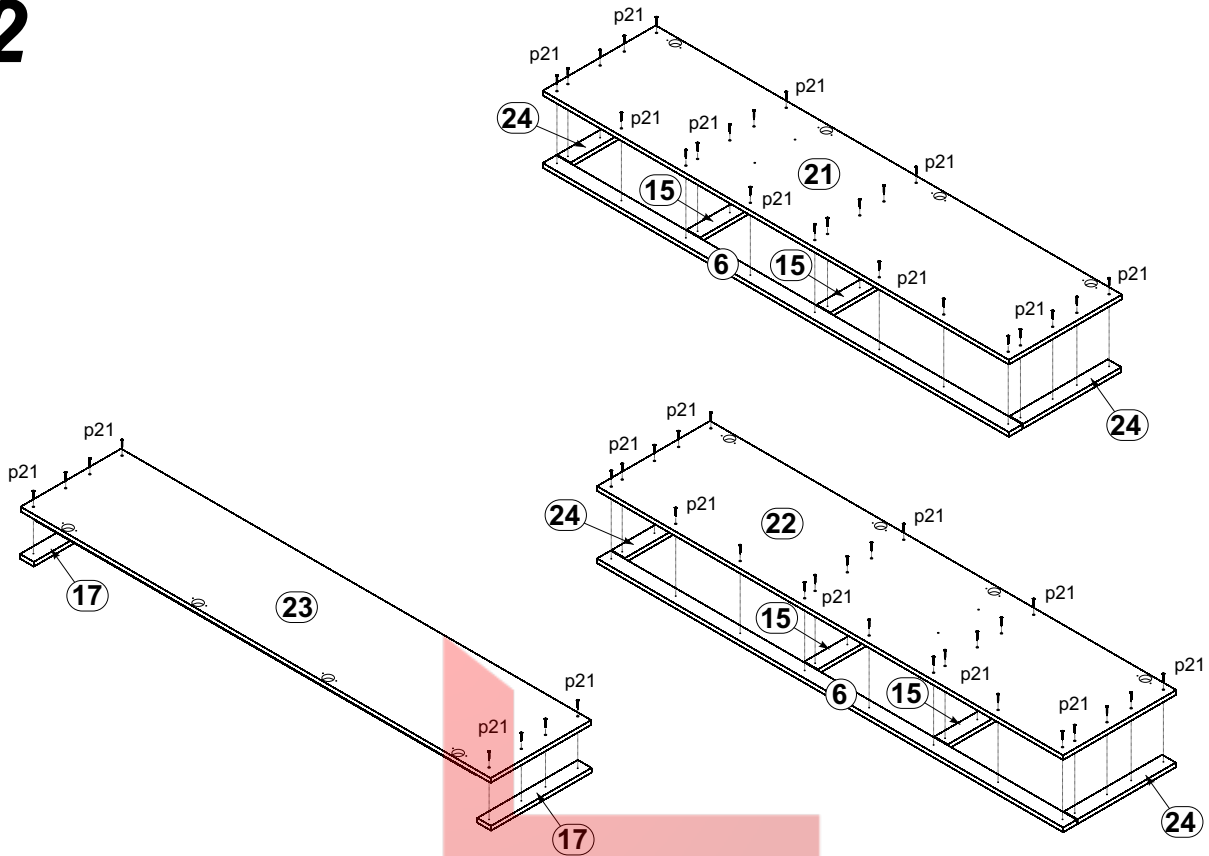


8x  <b>a200</b>	4x  <b>a202</b>	8x  <b>b4</b>	4x  <b>b22</b>	8x  <b>b100</b>	2x  <b>c410</b> 270,7x34x34,5	16x  <b>d1</b> Ø5x17 mm
16x  <b>e7</b> Ø6,3x16 mm	42x  <b>f1</b> Ø8x30 mm	2x  <b>f6</b> Ø8x50 mm	4x  <b>j30</b> M4x22 mm	5x  <b>k55</b>	115x  <b>l1</b>	8x  <b>l50</b> 55x59,5 mm
4x  <b>l51</b> 55x18x18 mm	4x  <b>l52</b> 55x45 mm	4x  <b>l53</b> 143,5x55 mm	2x  <b>n1</b>	1x  <b>n26\1</b>	2x  <b>p1</b> Ø3,5x13mm	10x  <b>p6</b> Ø4x35 mm
56x  <b>p21</b> Ø4x30 mm	7x  <b>p38</b> Ø3,5x16 mm	24x  <b>p51</b> Ø3,5x15 mm	40x  <b>r1</b> Ø15x12 mm #16	2x  <b>r10</b>	36x  <b>r42</b> 20/11	36x  <b>s2</b> Ø16
1x  <b>y1</b> Клей						

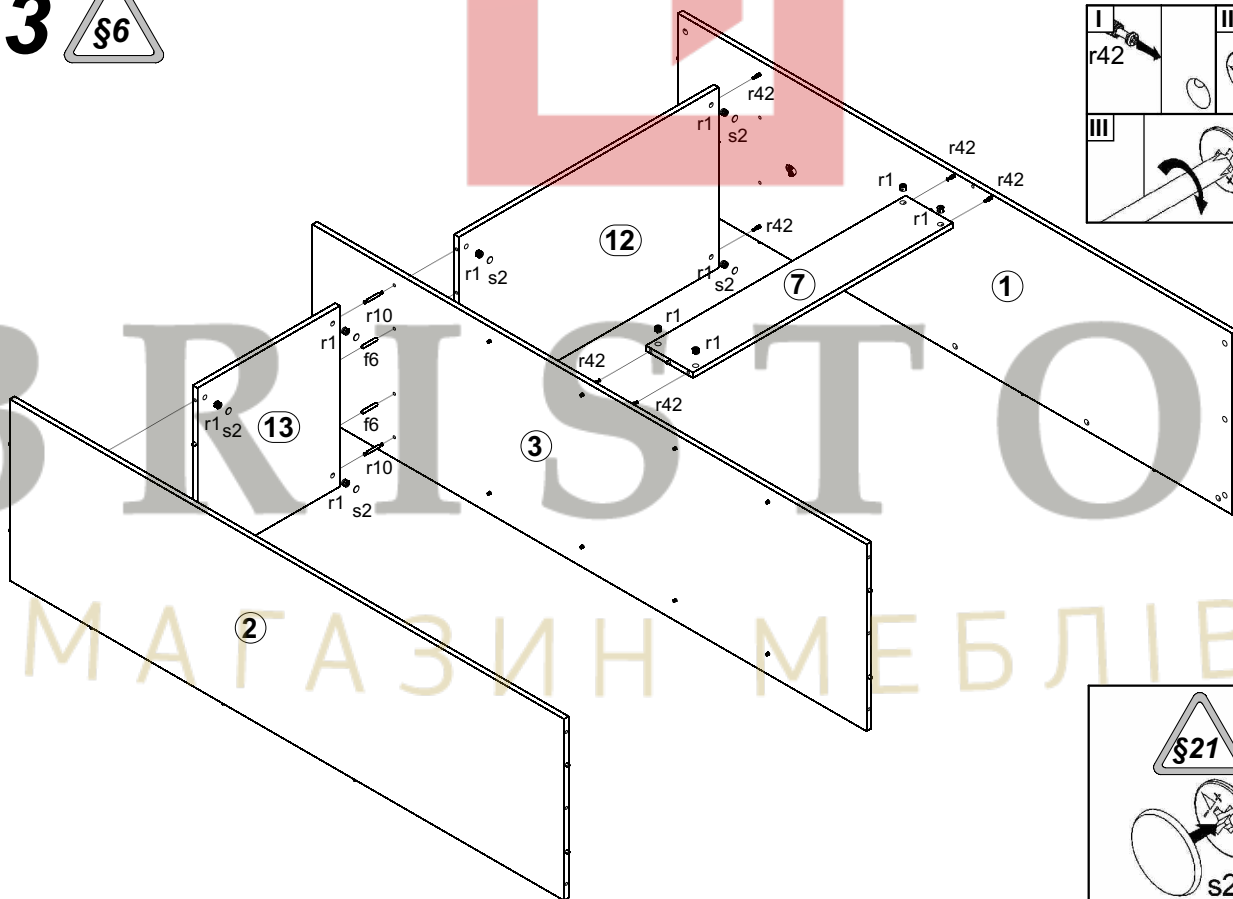
1



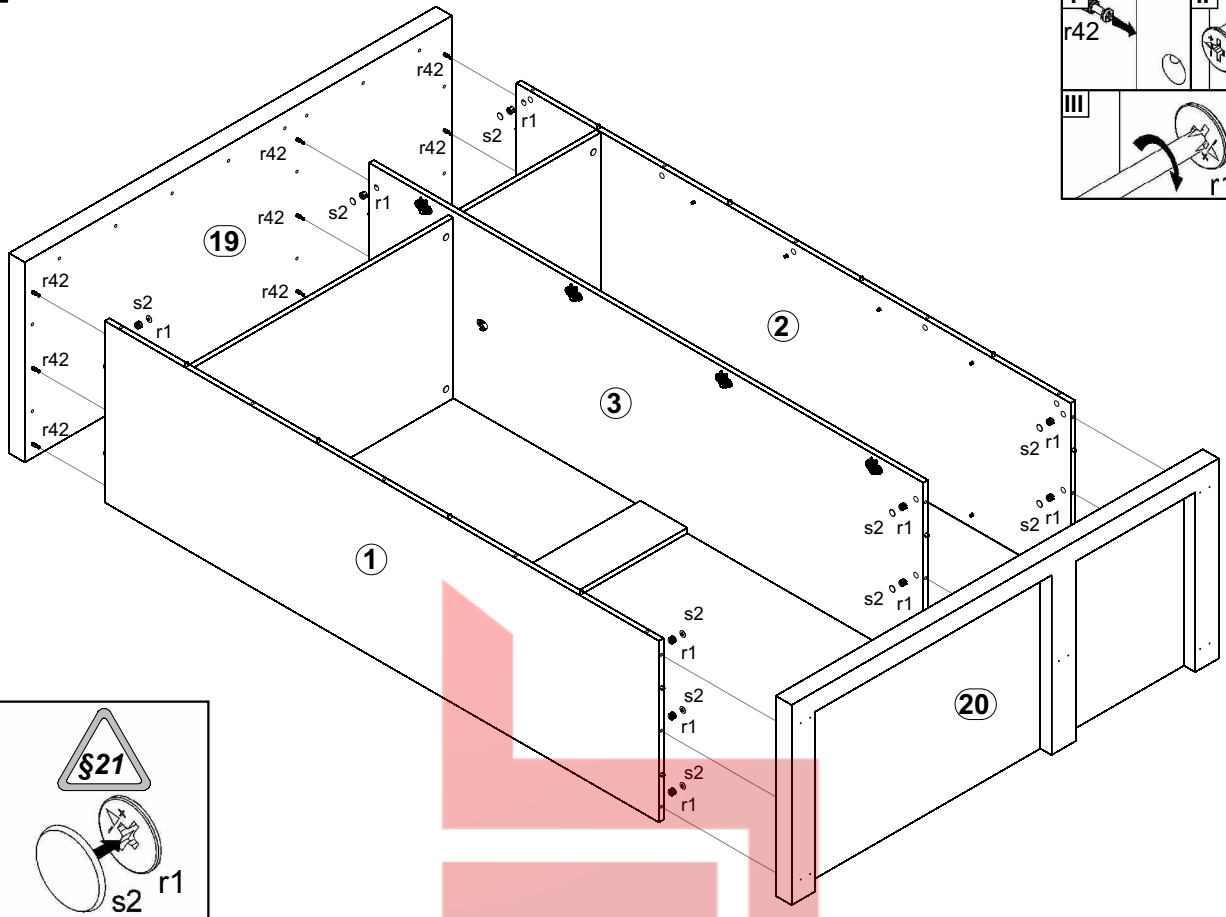
# 2



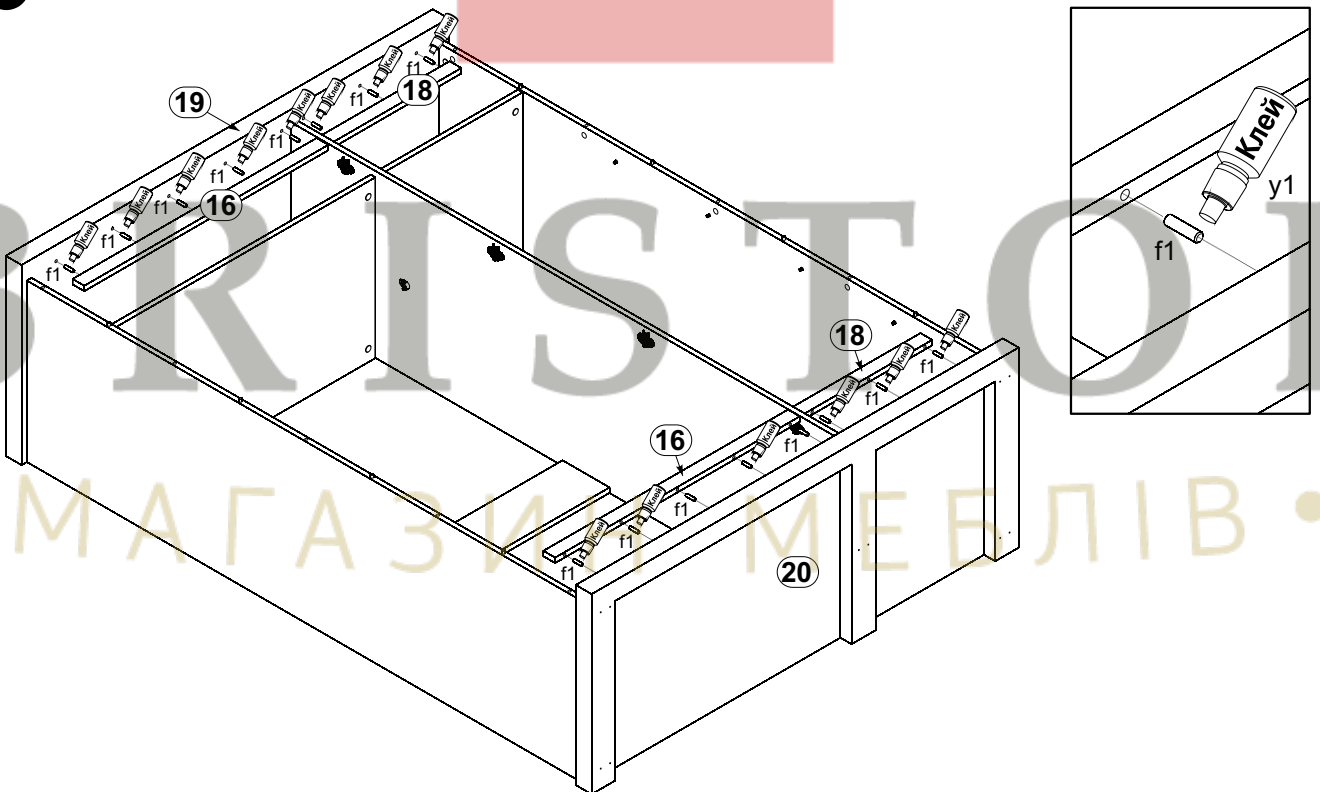
# 3



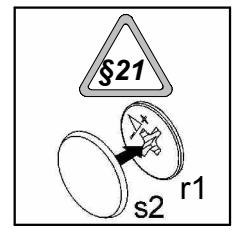
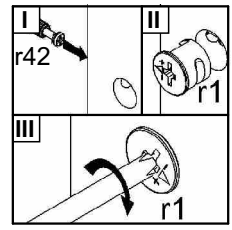
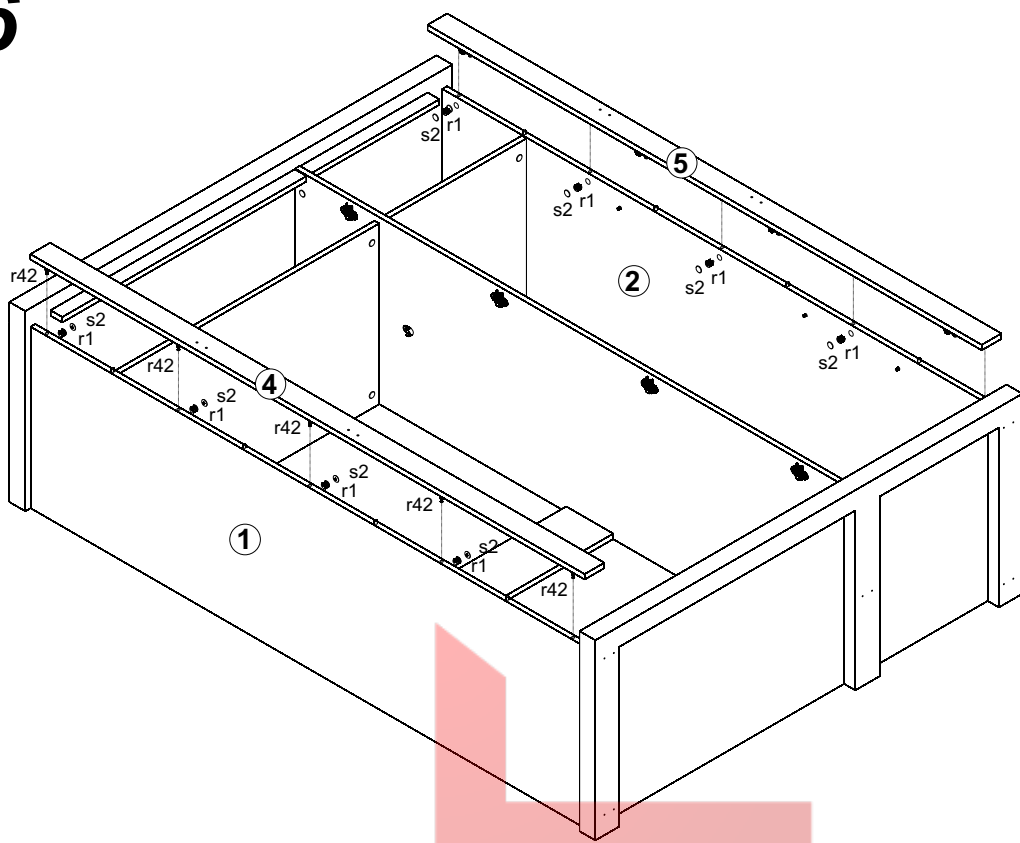
# 4



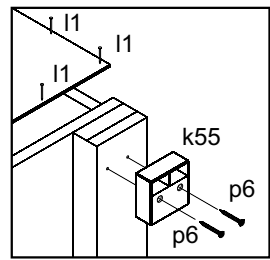
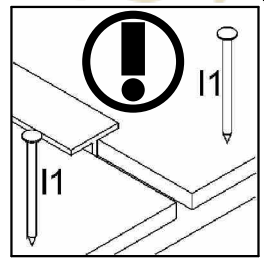
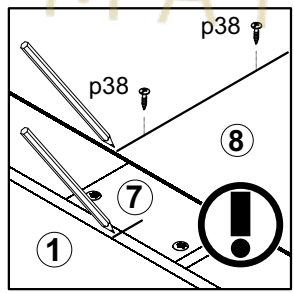
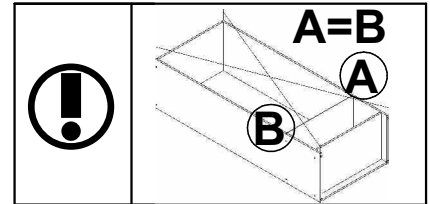
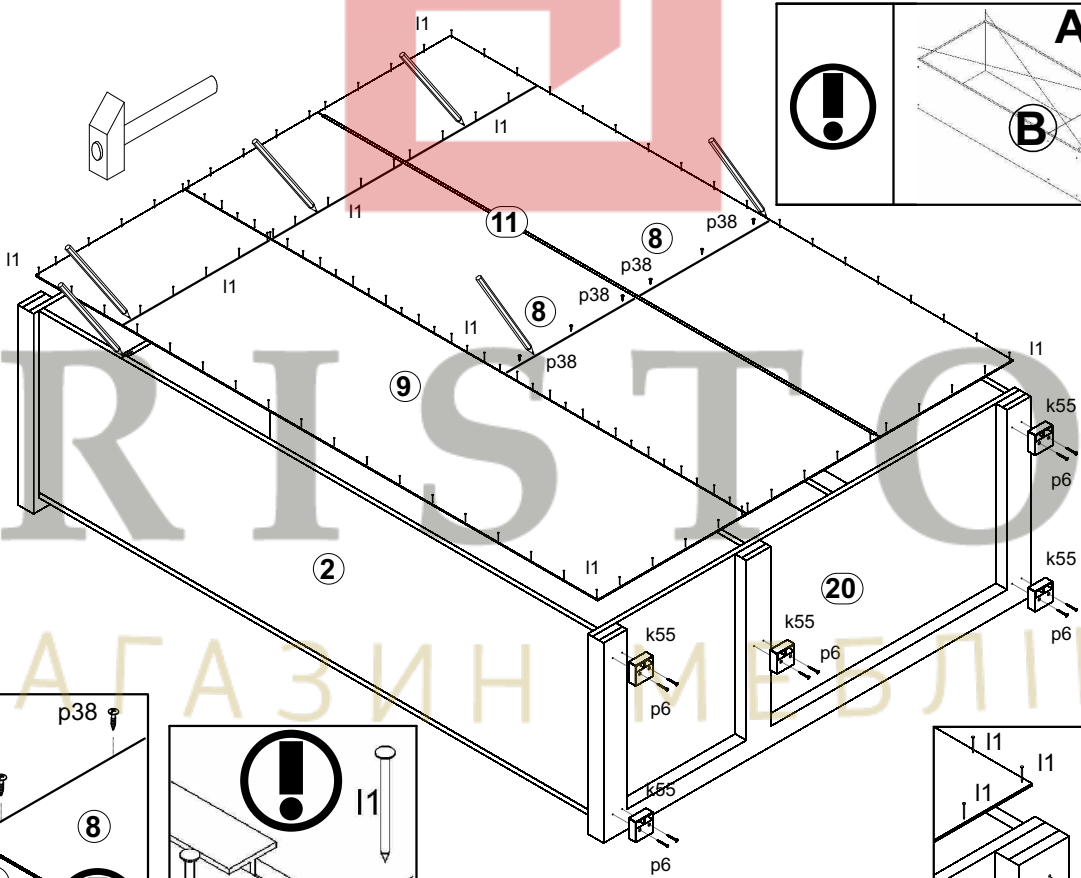
# 5



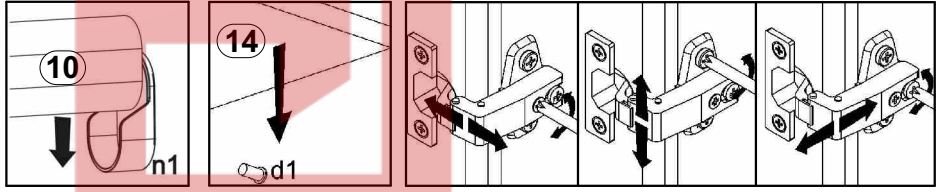
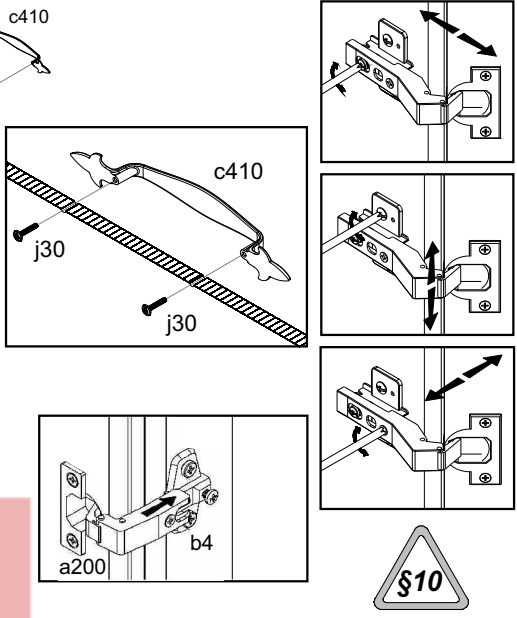
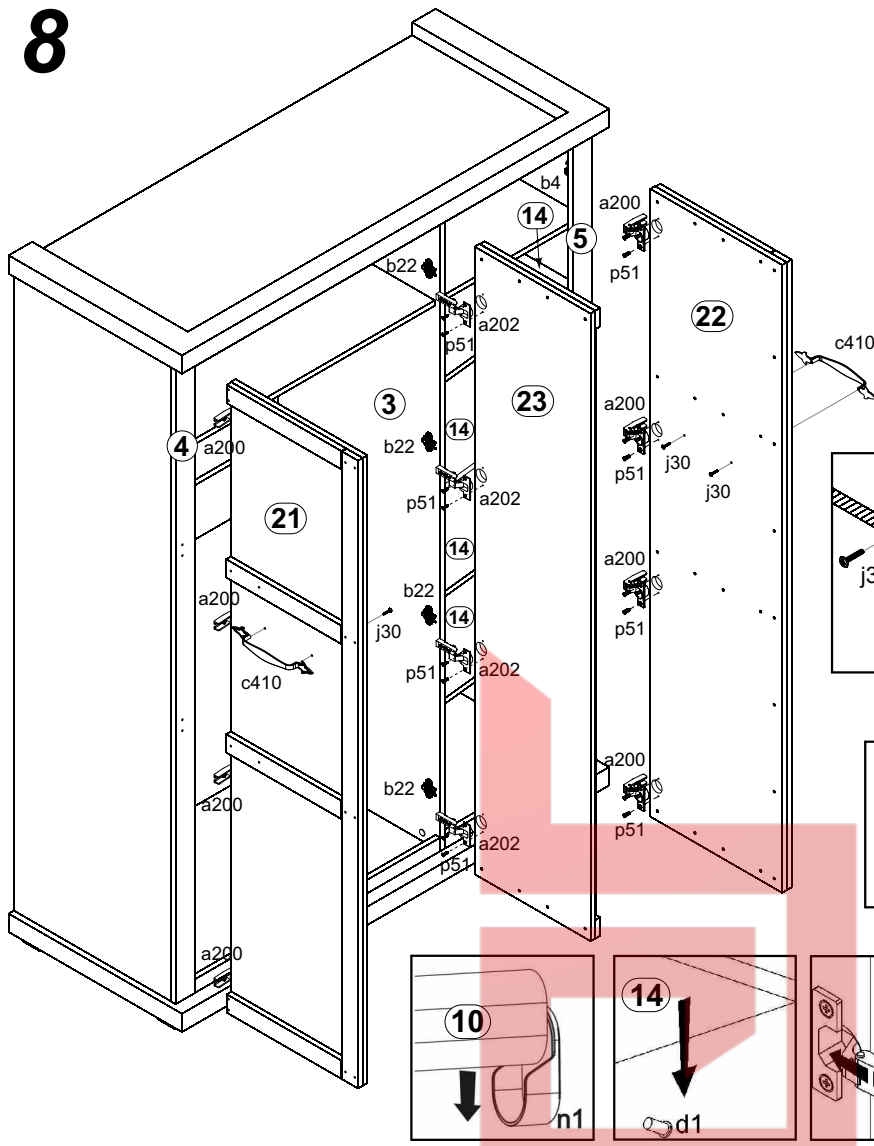
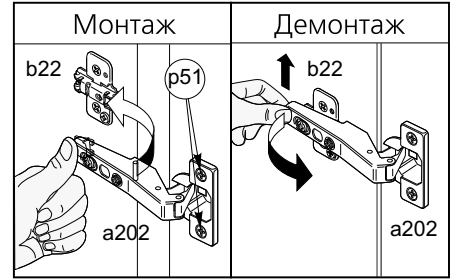
# 6



# 7



# 8



# 9

