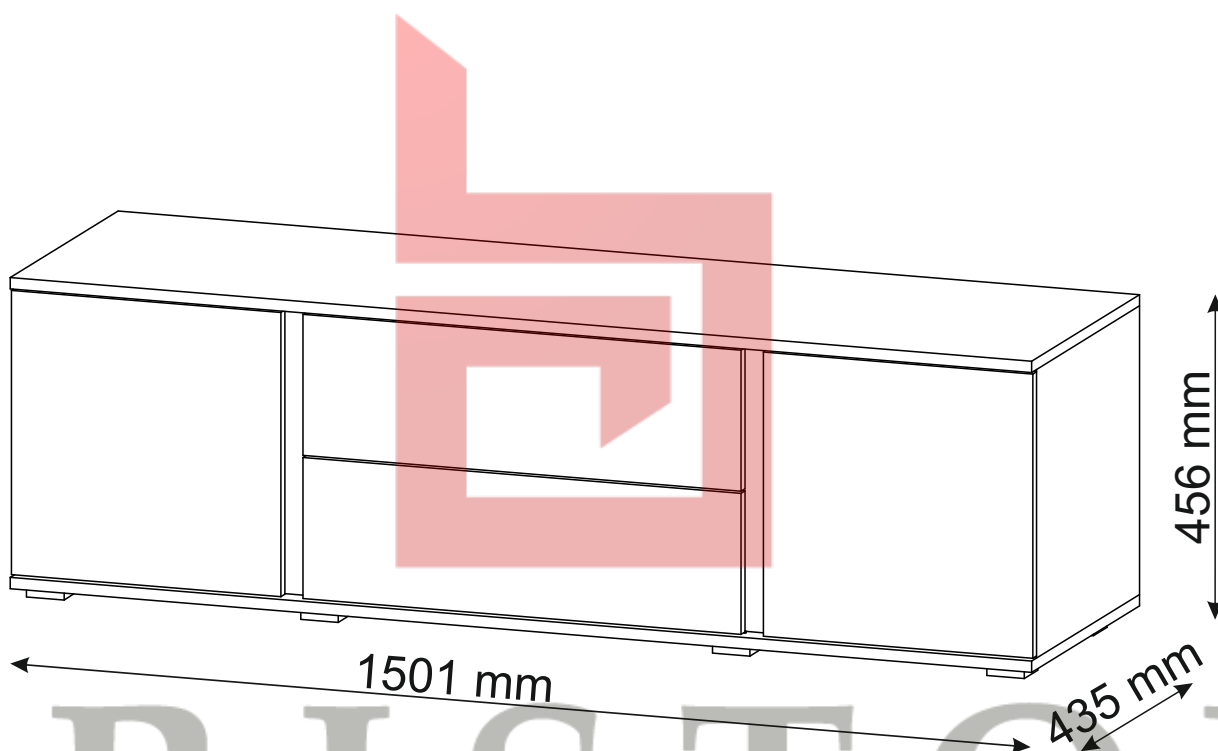
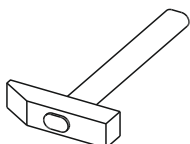
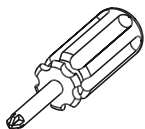
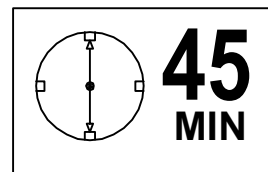
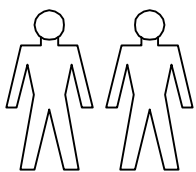
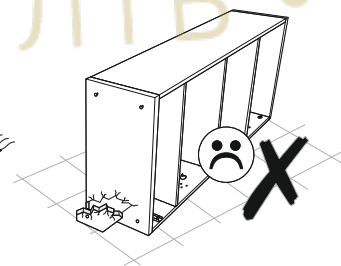
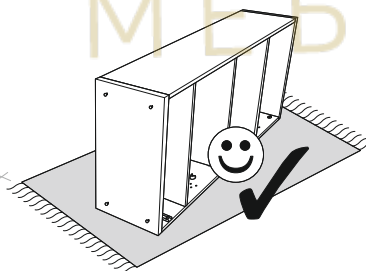
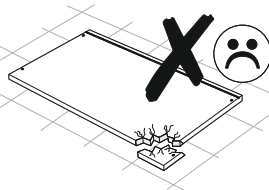
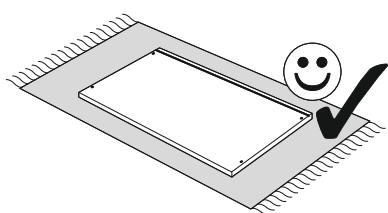


GERDA TV-ELEMENT 2D 2DR



BRISTOL

• МАГАЗИН МЕБЛІВ •



GERDA TV-ELEMENT 2D 2DR

MM

260

250

240

230

220

210

200

190

180

170

160

150

140

130

120

110

100

90

80

70

60

50







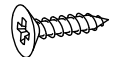


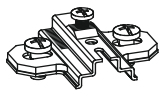
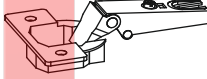


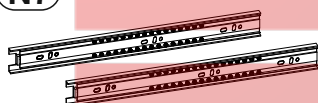
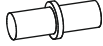
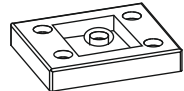

40

30

20

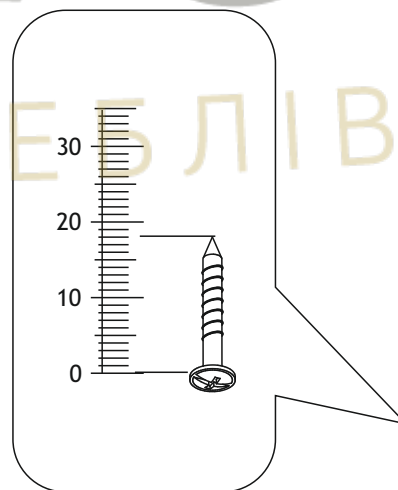
10

0

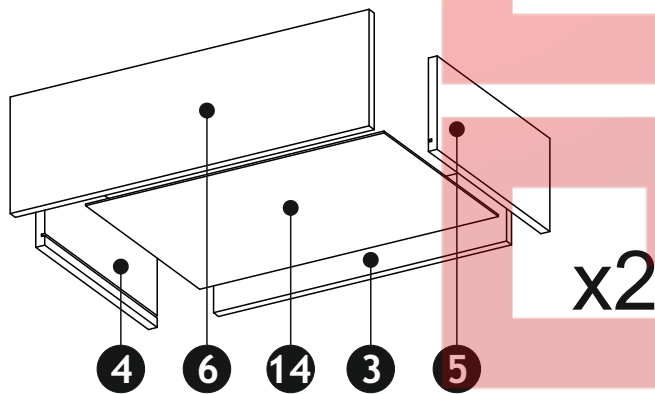
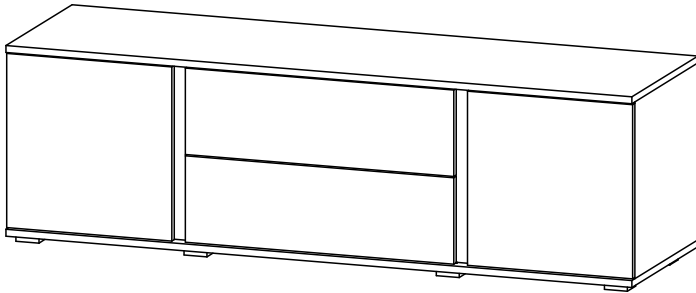
A0 8 x 30mm x28 	B1 f 7 x 50 mm x16 	C0 x16 
C2 x20 	C7 x20 16mm 	D0 3 x 15 mm x28 
D10 4 x 16 mm x8 	D12 4 x 25 mm x32 	D21 5 x 13 mm x28 
J6 x4 	J8 x4 	K 4mm x1 
M1 x28 	N7 L-350 x2 	Q0 x8 
T5 x8 	T8 x12 	


BRISTOL

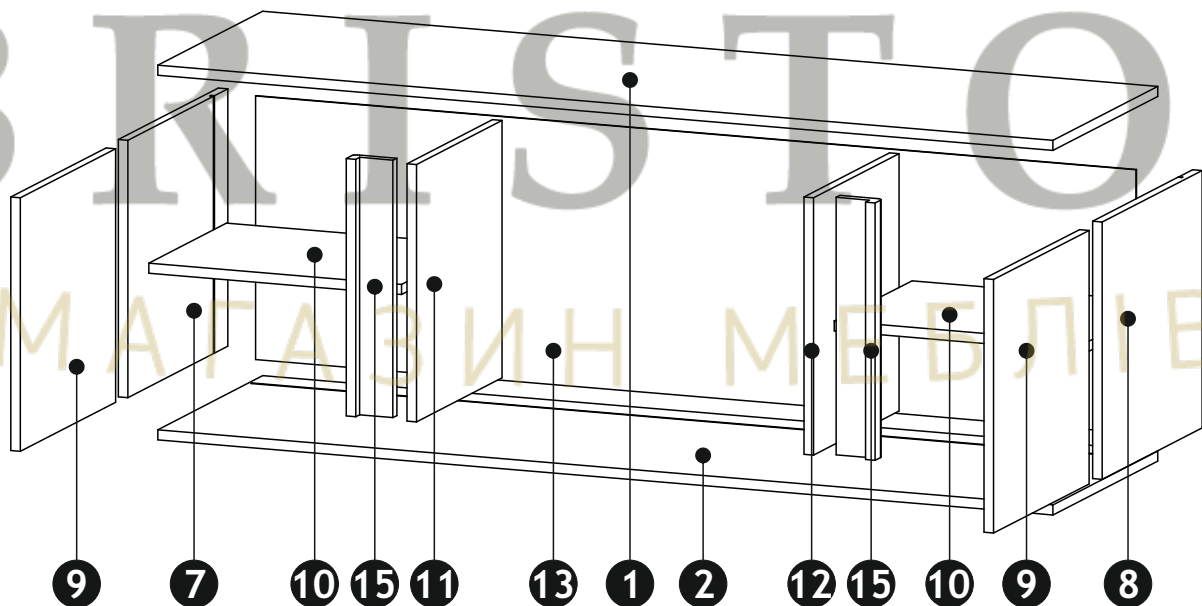
• МАГАЗИН МЕБЛІВ

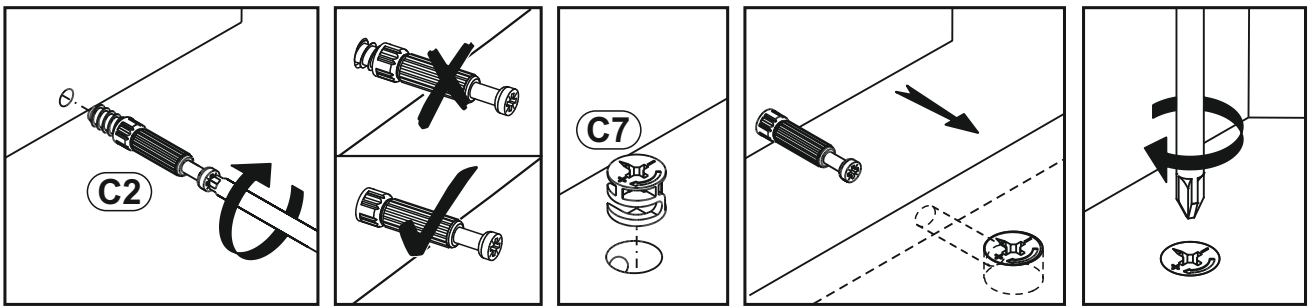


GERDA TV-ELEMENT 2D 2DR



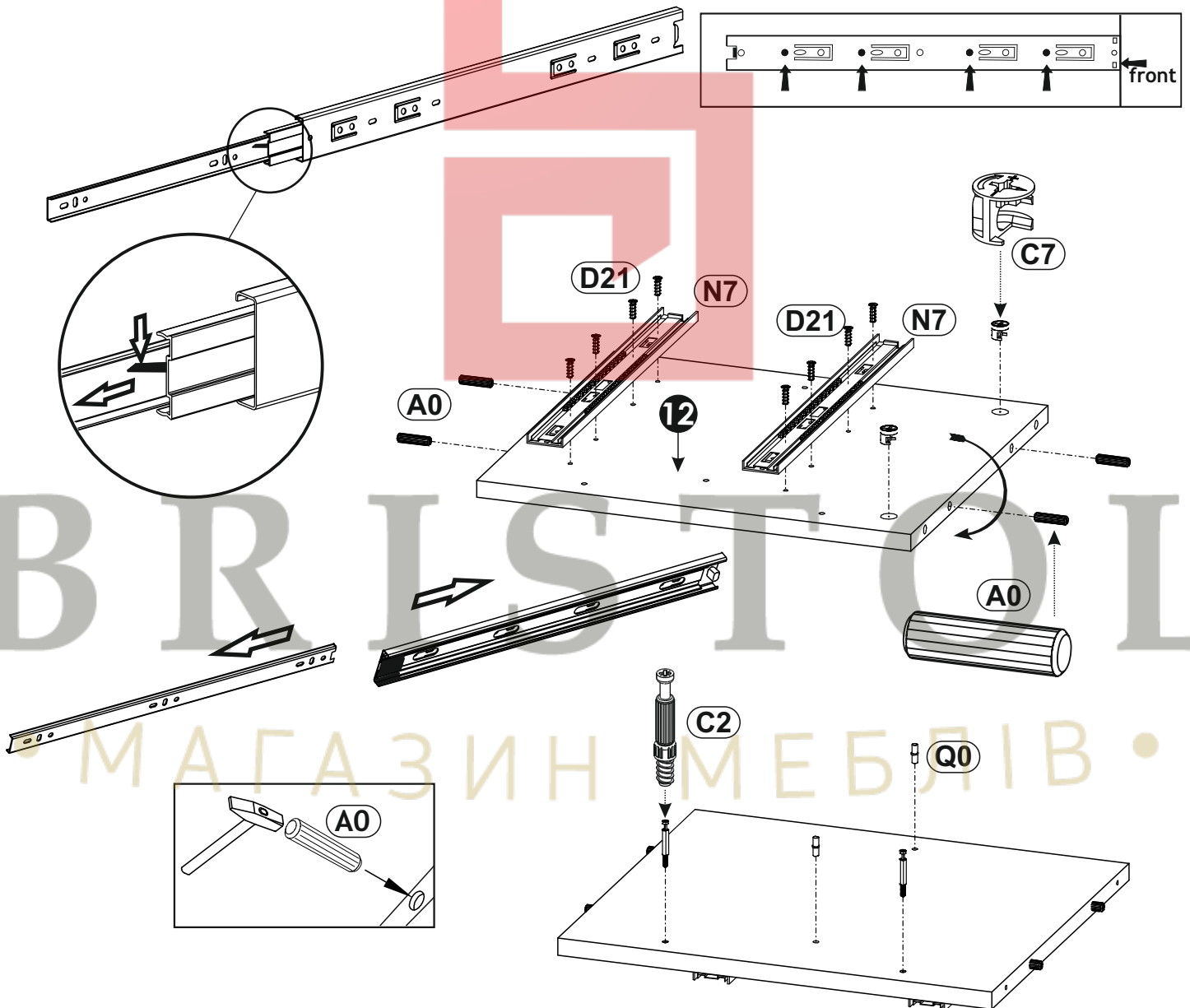
1	1501	435	16	x1	2/2
2	1501	435	16	x1	2/2
3	526	137	16	x2	2/2
4	350	160	16	x2	2/2
5	350	160	16	x2	2/2
6	644	200	16	x2	2/2
7	409	415	16	x1	1/2
8	409	415	16	x1	1/2
9	403	396	16	x2	1/2
10	424	323	16	x2	1/2
11	409	355	16	x1	1/2
12	409	355	16	x1	1/2
13	1476	419	3	x1	2/2
14	536	355	3	x2	2/2
15	409	72	32	x2	2/2
					1/2





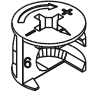

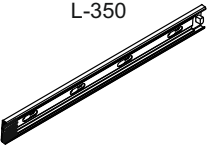
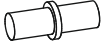


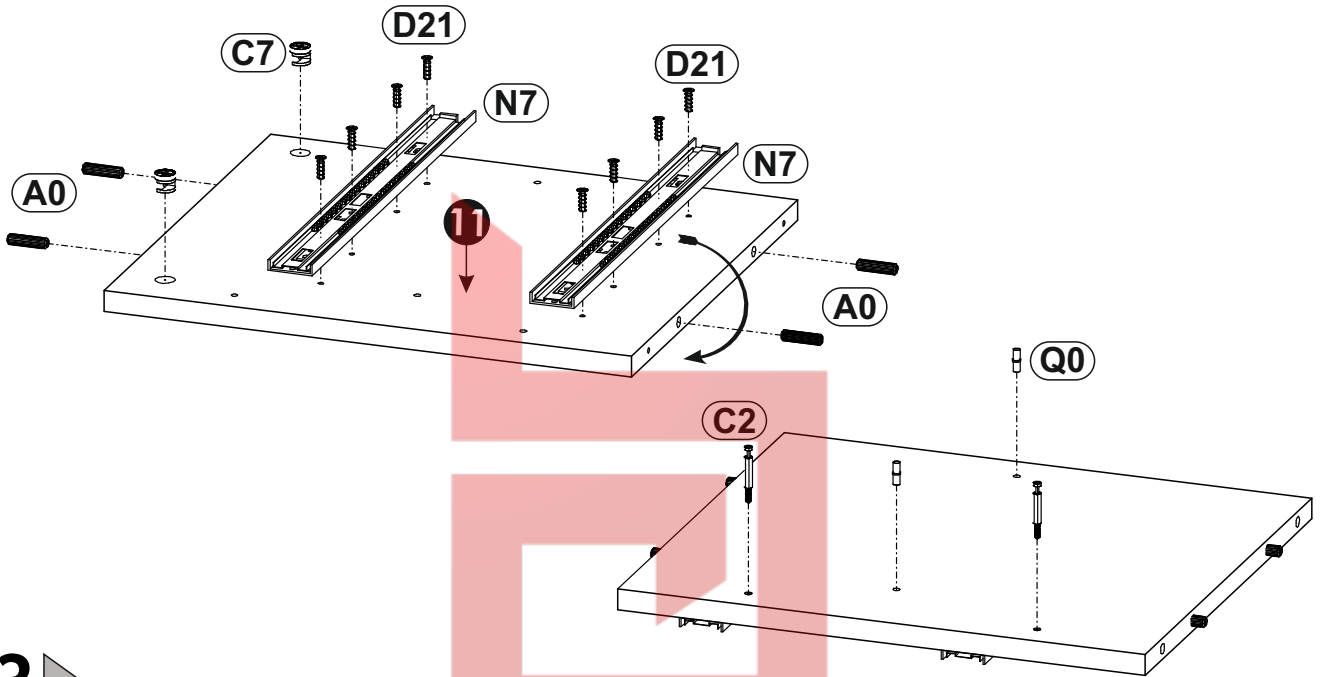
1 ▶

A0	8 x 30mm	x4	C2		x2	C7		x2
						16mm		
D21	5 x 13 mm	x8	N7	L-350	x2	Q0		x2



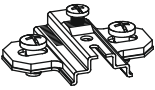
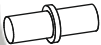


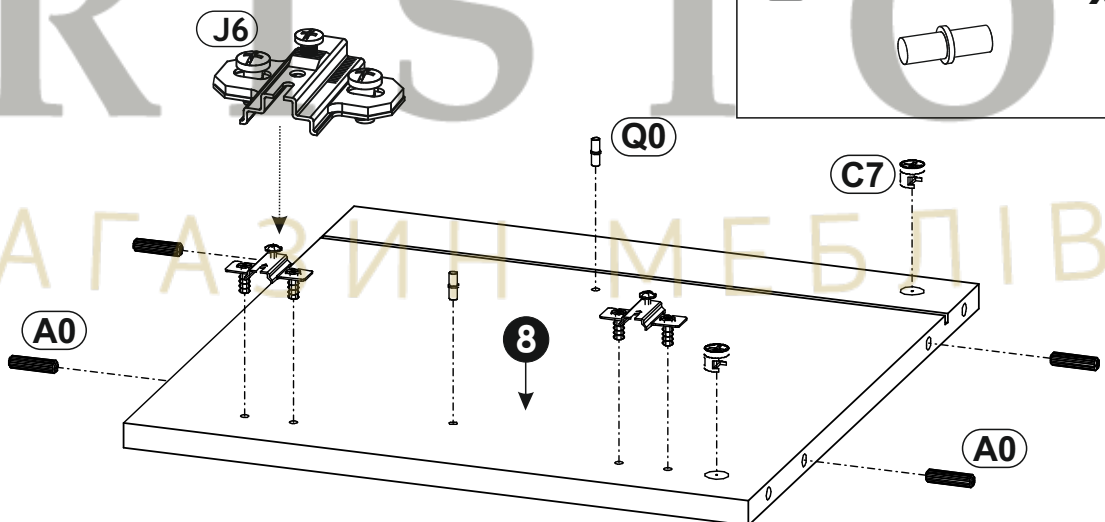
2 ▶

(A0) 8 x 30mm  x4	(C2)  x2	(C7) 16mm  x2
(D21) 5 x 13 mm  x8	(N7) L-350  x2	(Q0)  x2



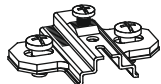
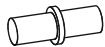


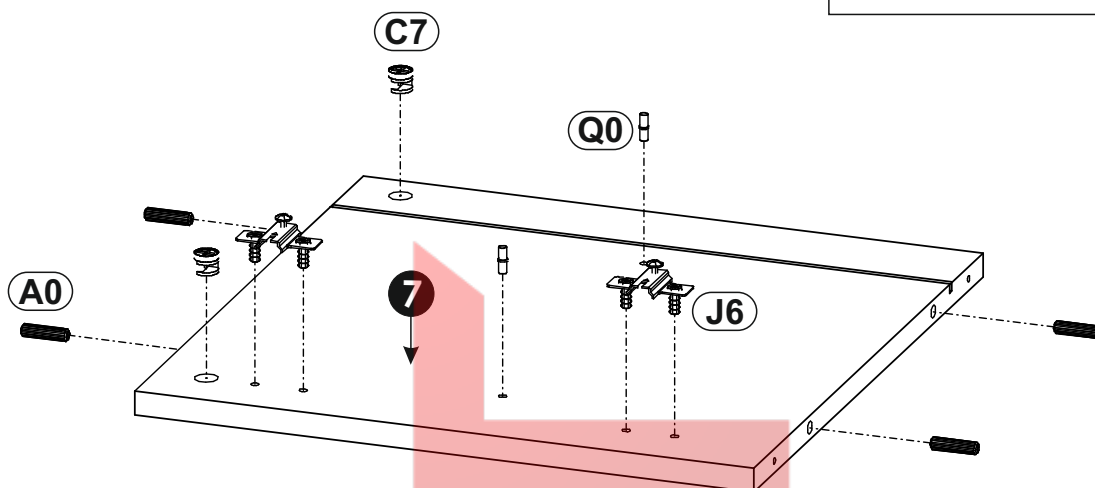
3 ▶

(A0) 8 x 30mm  x4	(C7) 16mm  x2	(J6)  x2
		(Q0)  x2




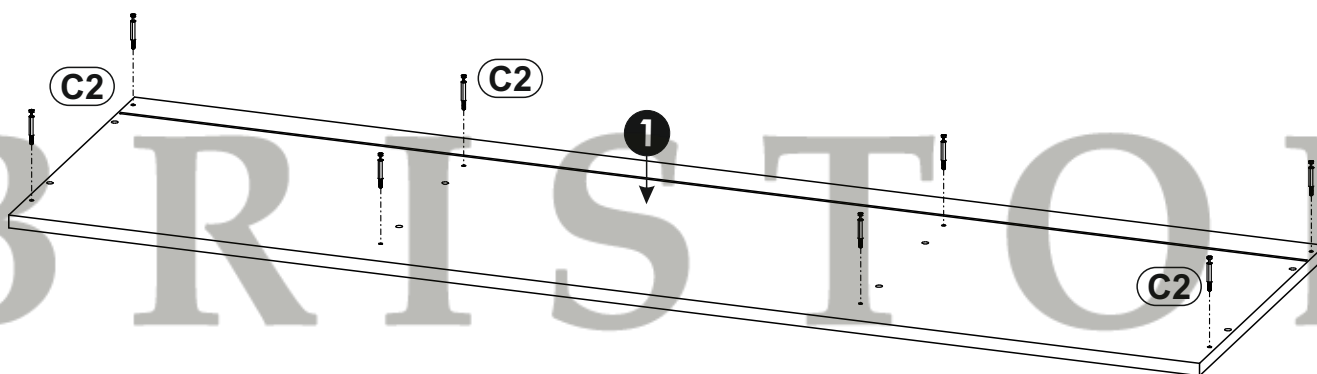
4 ▶

A0 8 x 30mm 	x4	C7 16mm 	x2	J6 	x2
				Q0 	x2




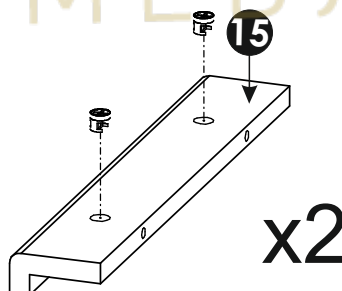
5 ▶

C2 	x8
--	-----------

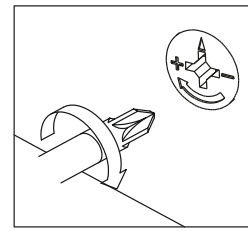
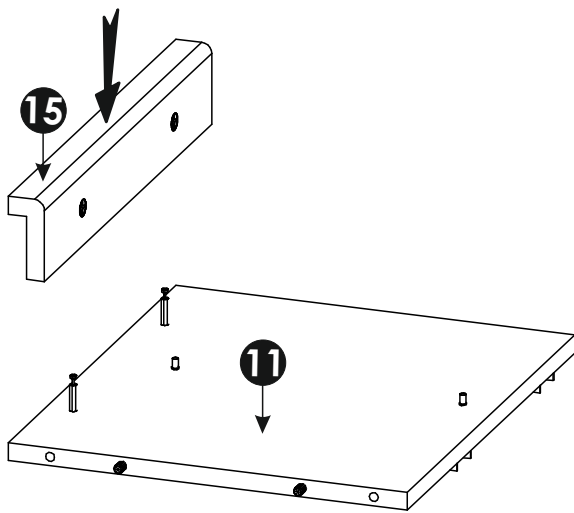


6 ▶

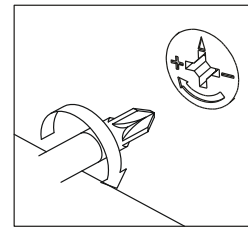
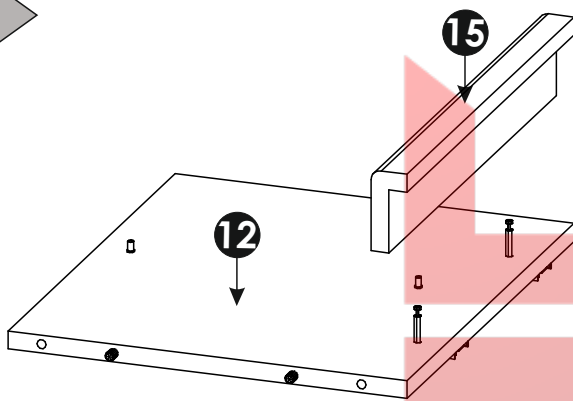
C7 16mm 	x4
--	-----------



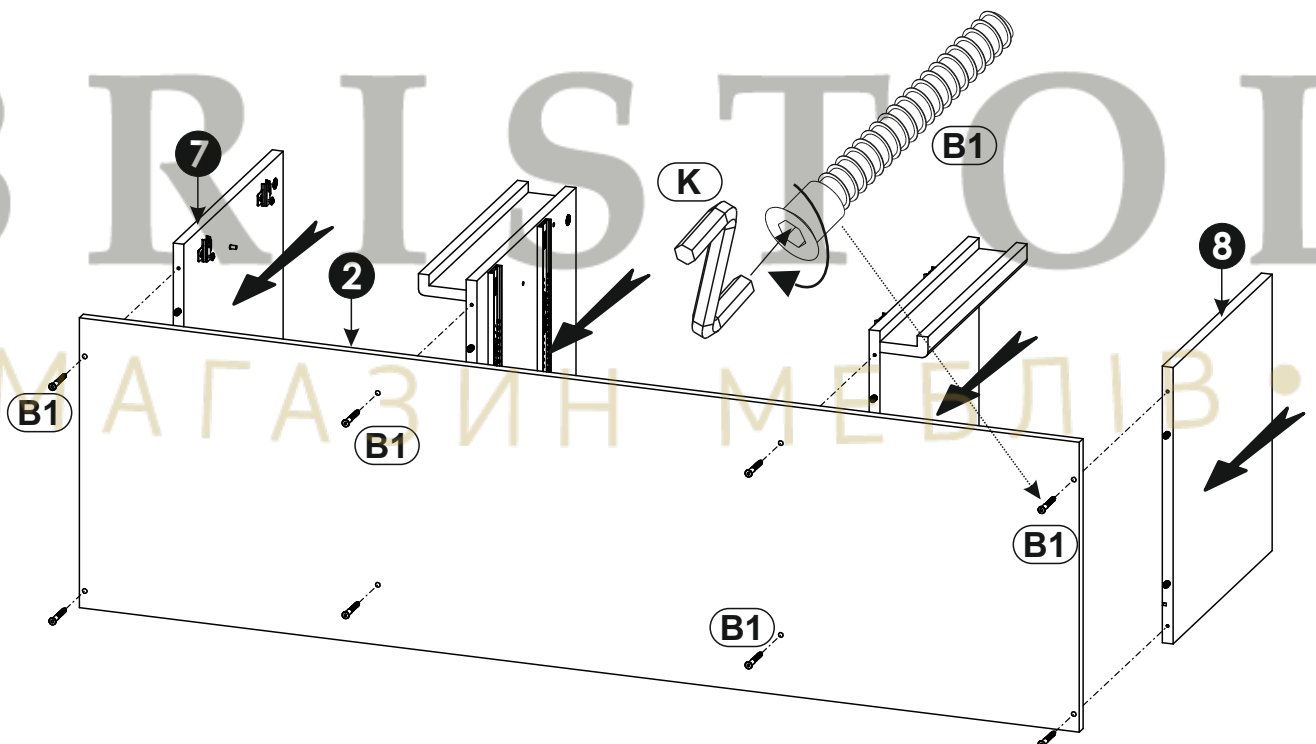
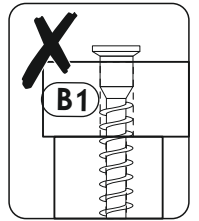
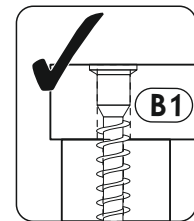
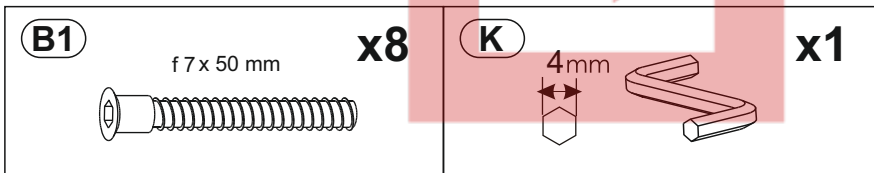
6 ▶



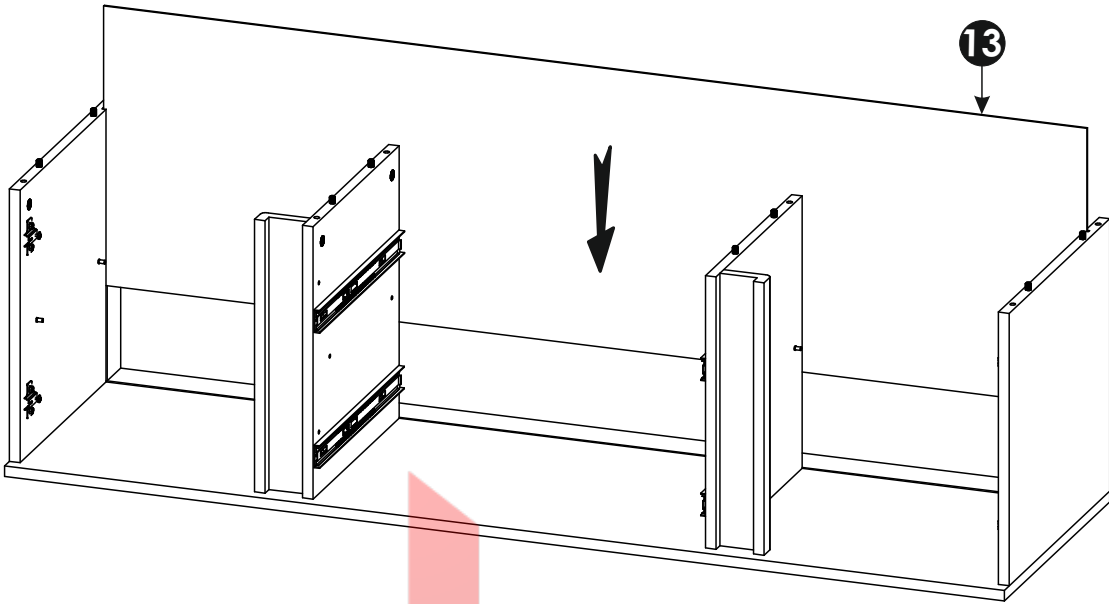
7 ▶



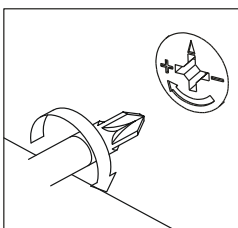
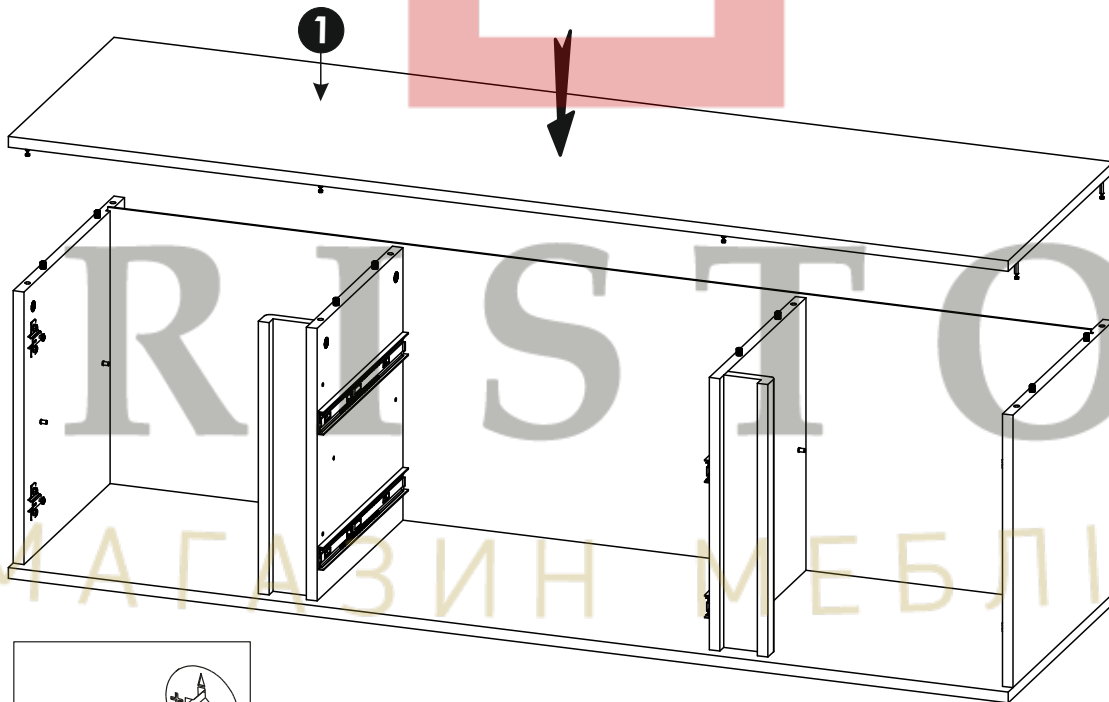
8 ▶



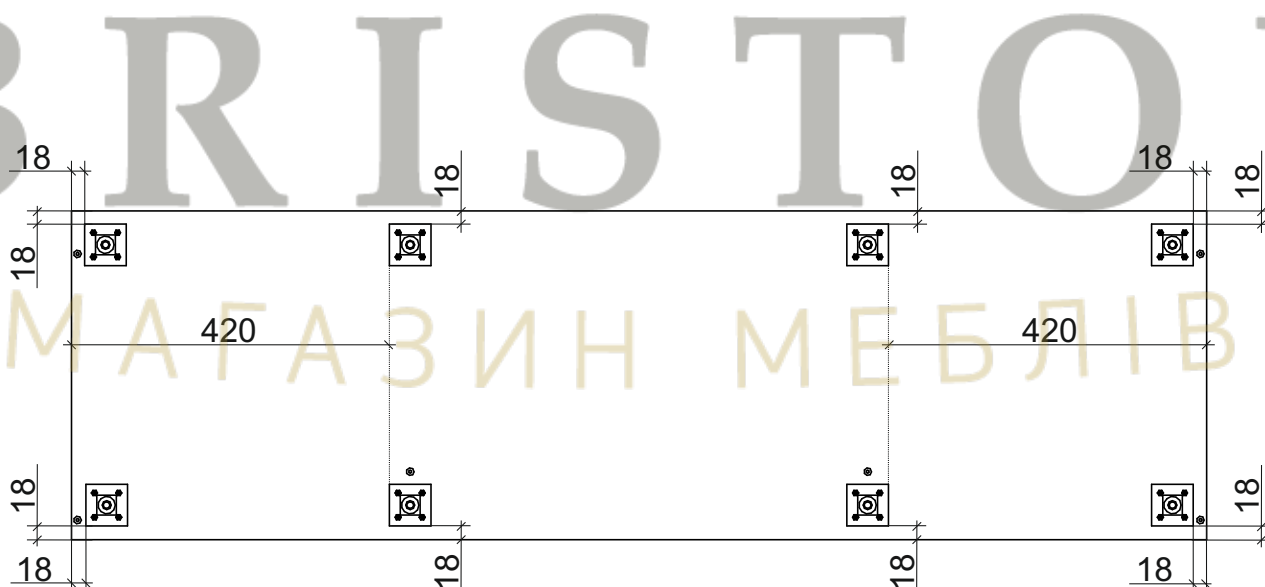
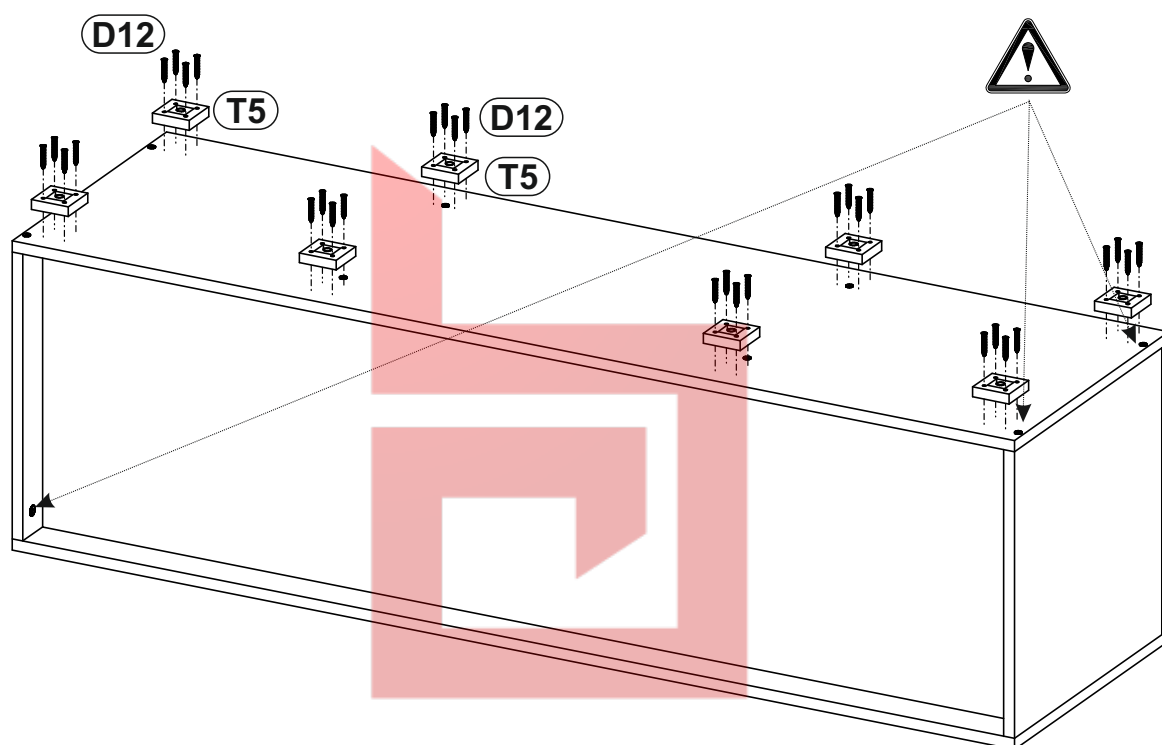
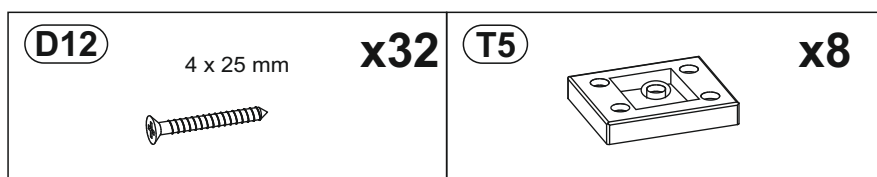
9 ▶





10 ▶

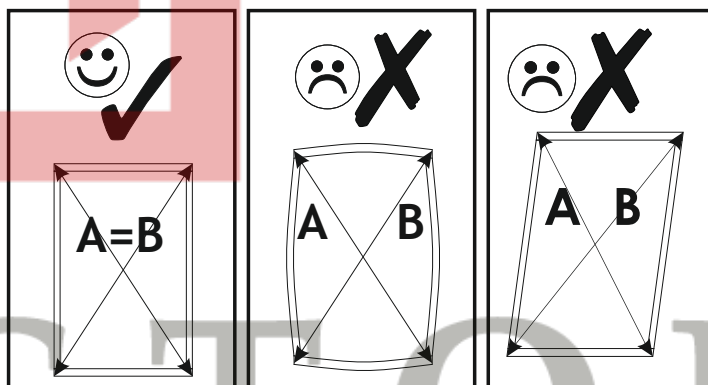
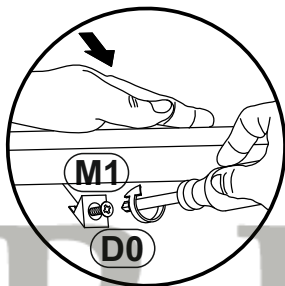
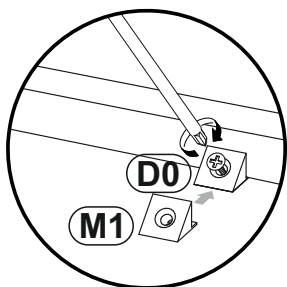
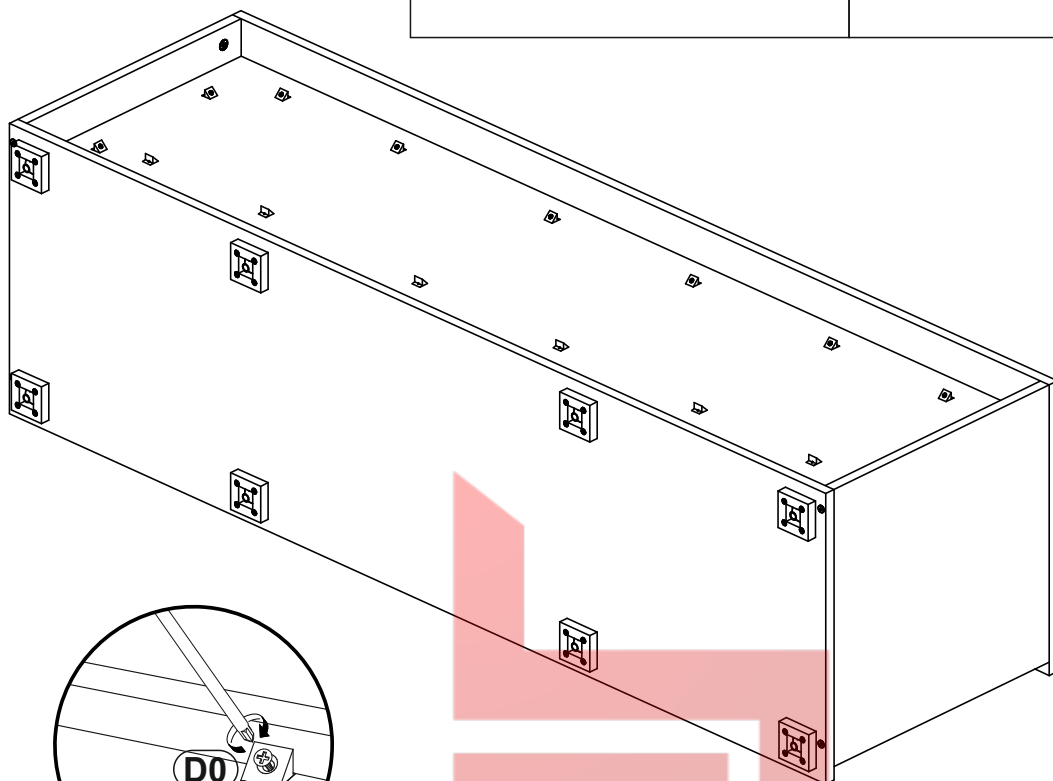


11 ▶




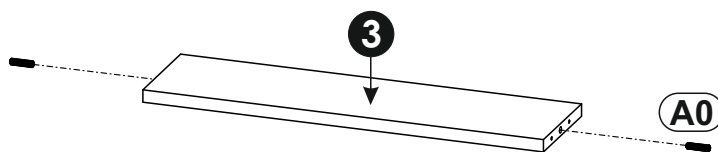
12 ▶

(D0) 3 x 15 mm 	x16	(M1) 	x16
---	------------	--	------------



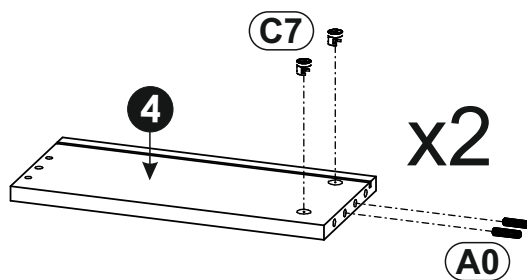
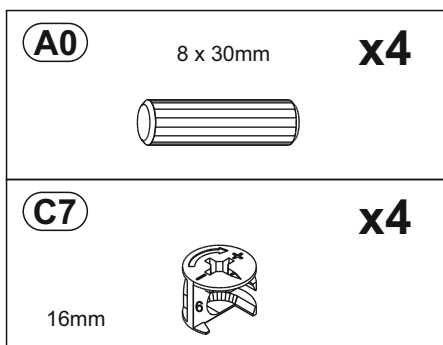
13 ▶

(A0) 8 x 30mm 	x4
--	-----------

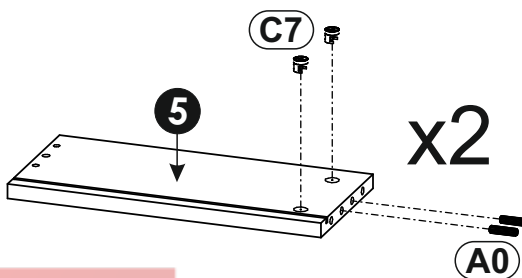
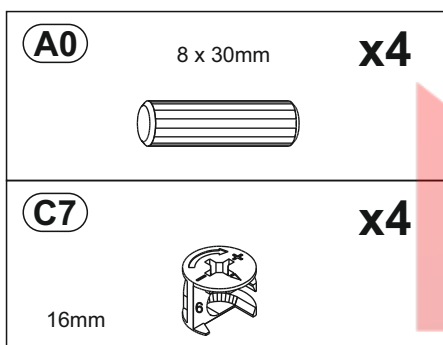


x2

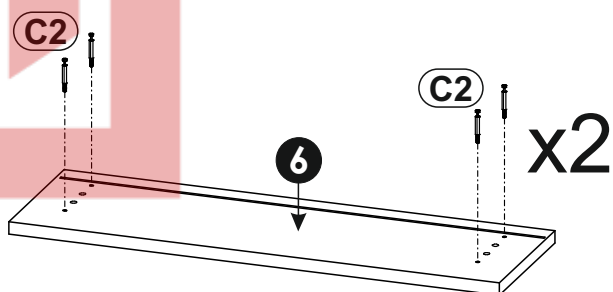
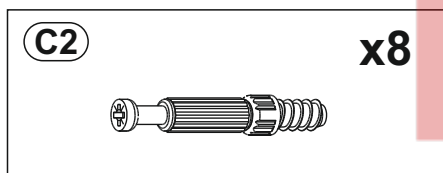
14 ▶



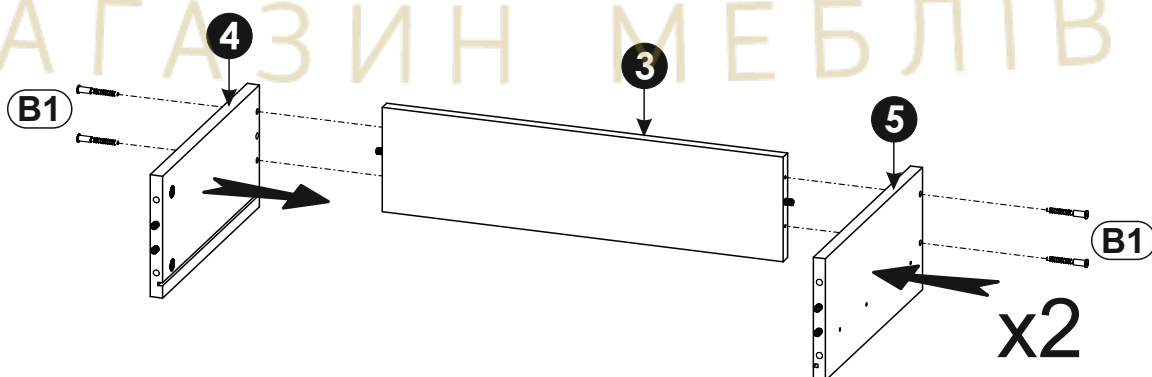
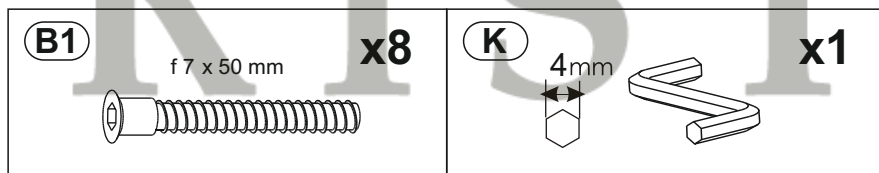
15 ▶



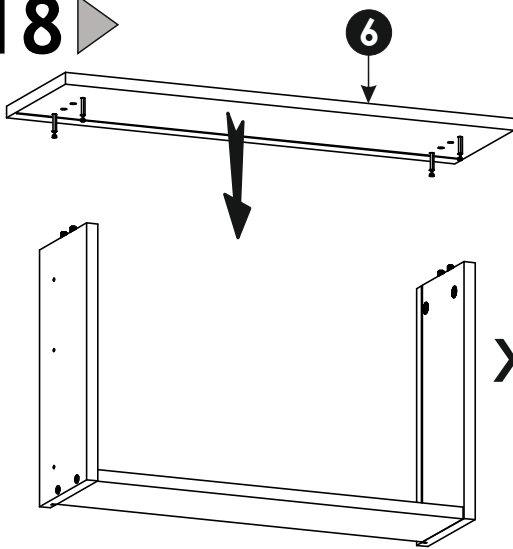
16 ▶



17 ▶



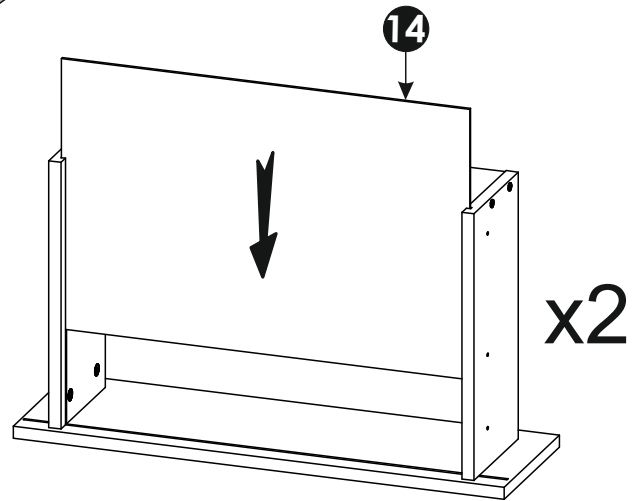
18 ▶



6

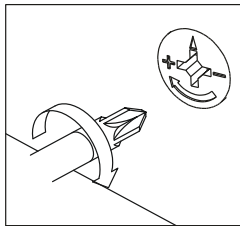
x2

19 ▶



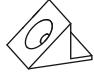
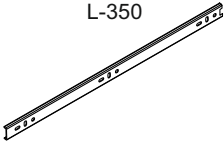



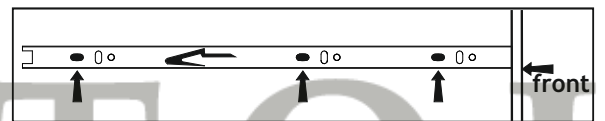
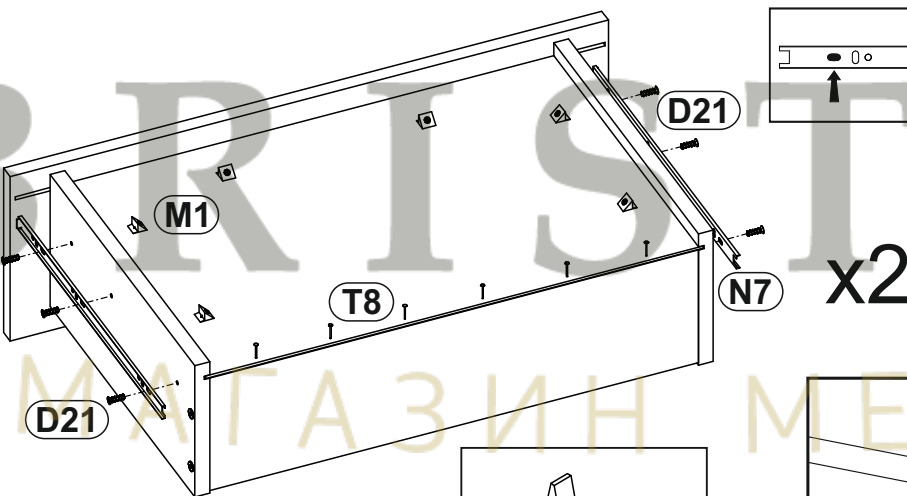
14

x2

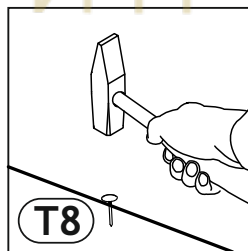
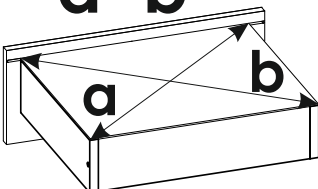


20 ▶

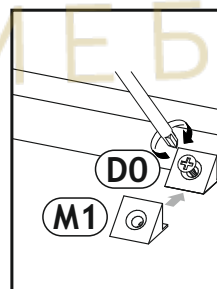
<p>(D0) 3 x 15 mm x12</p> 	<p>(D21) 5 x 13 mm x12</p> 	<p>(M1) x12</p> 
<p>(N7) L-350 x4</p> 	<p>(T8) x12</p> 	



a=b

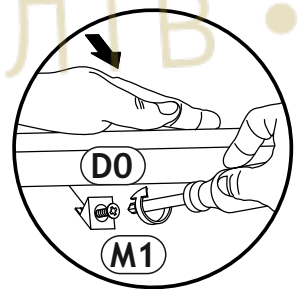


(T8)



(D0)

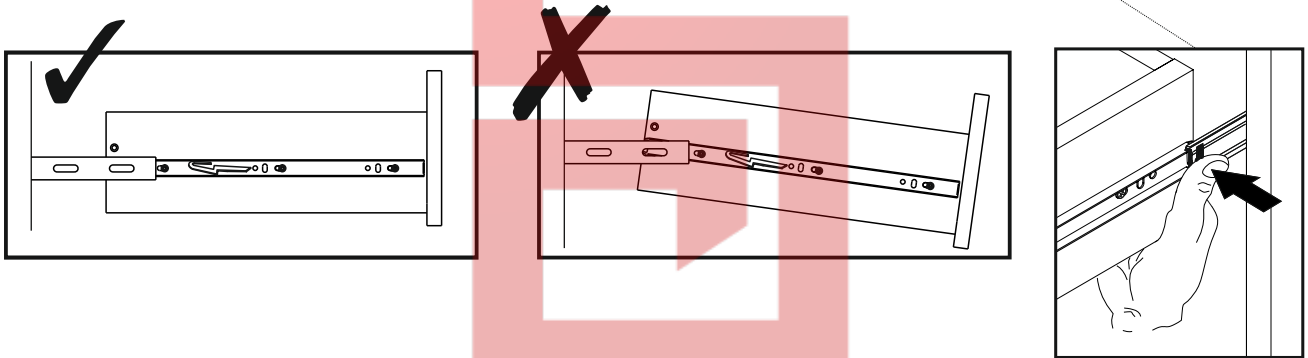
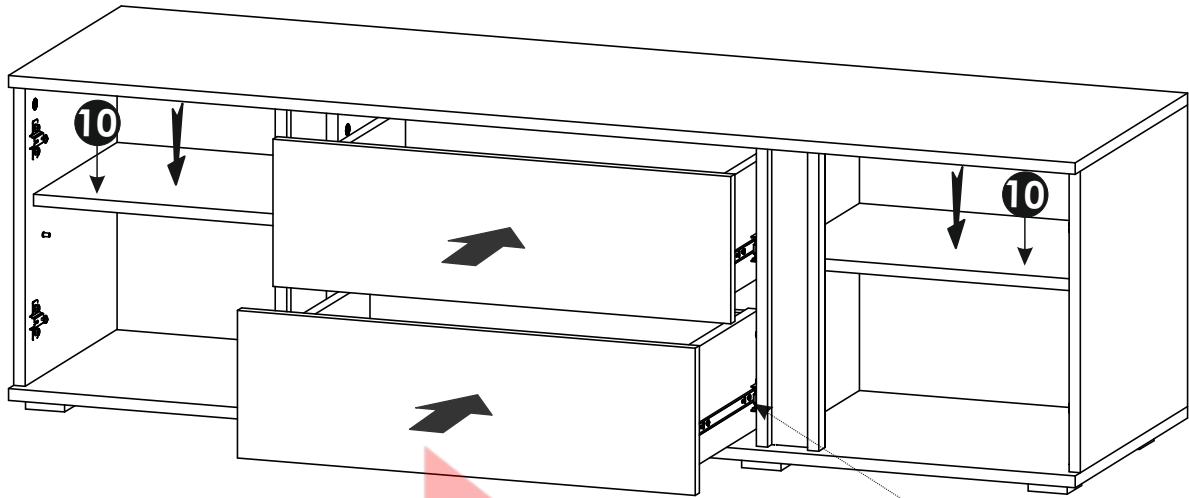
(M1)



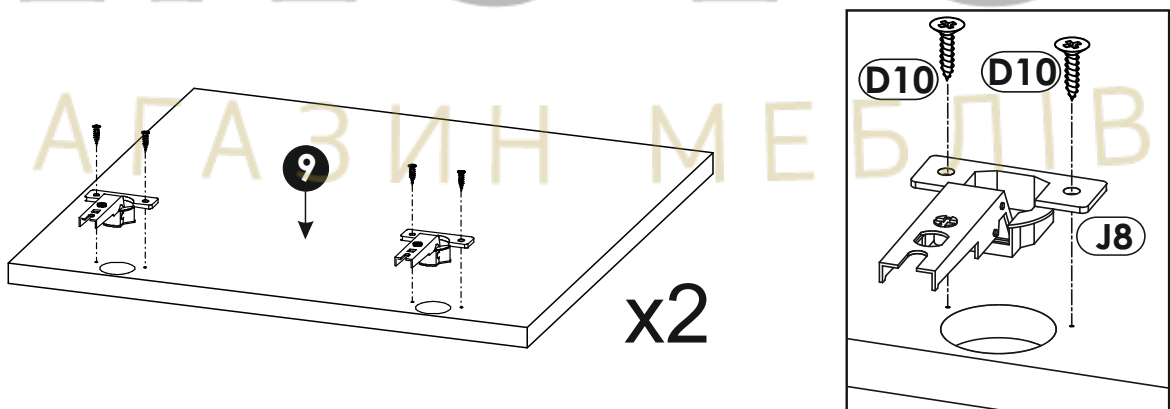
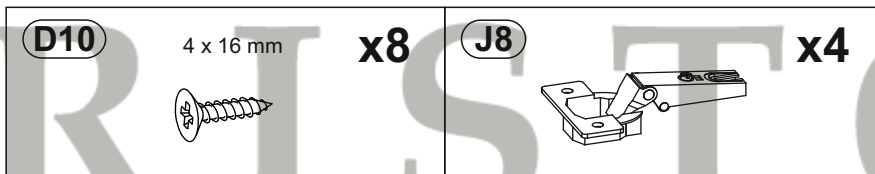
(D0)

(M1)

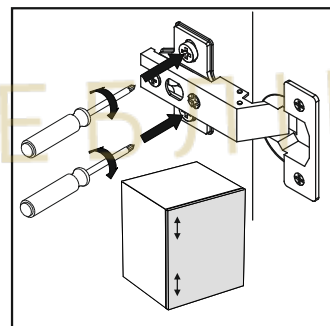
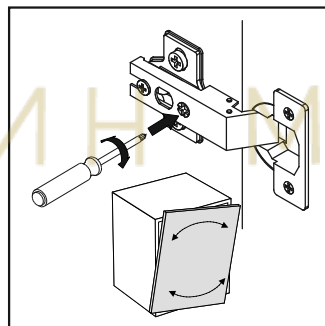
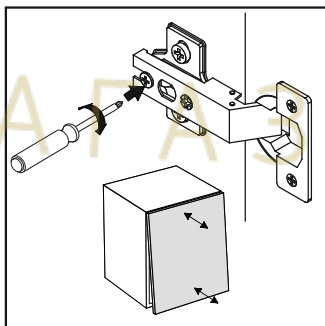
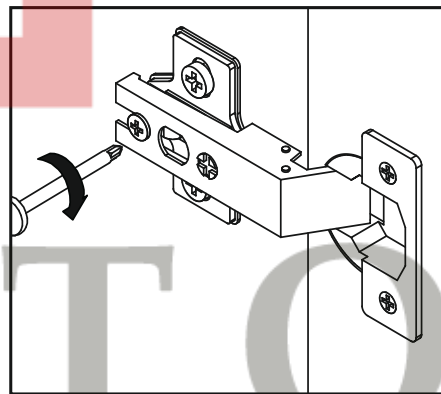
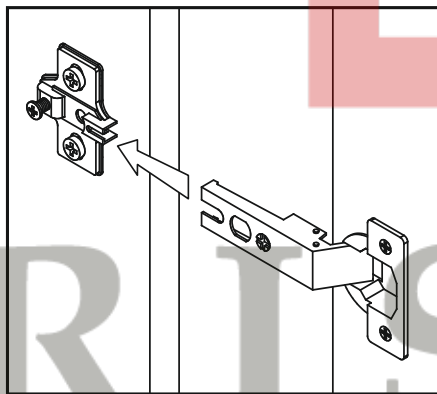
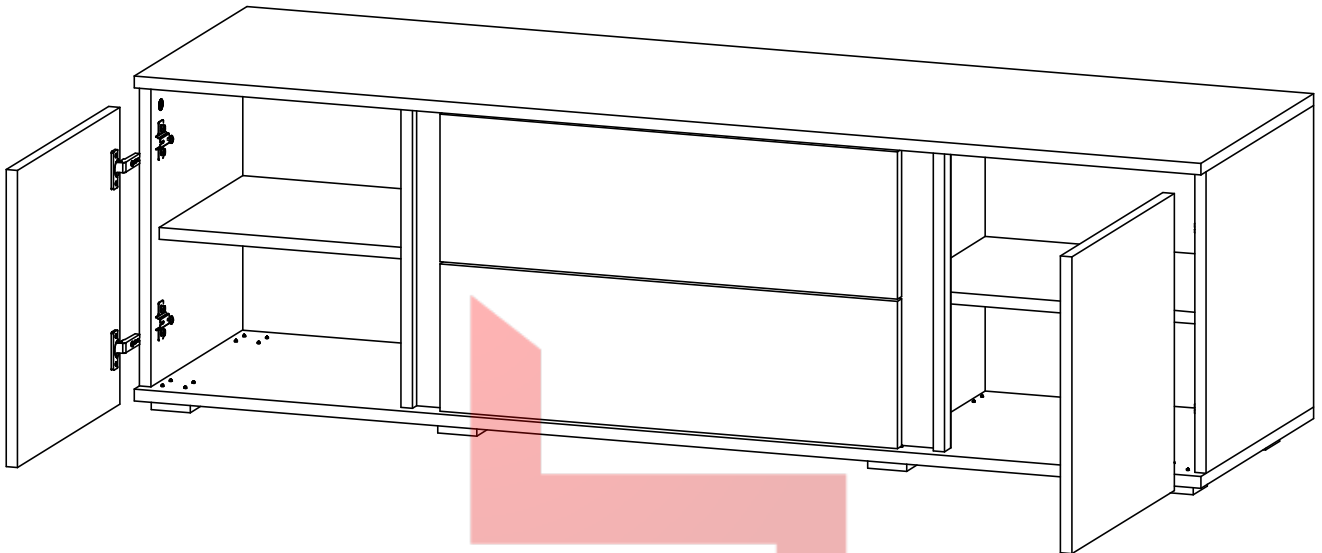
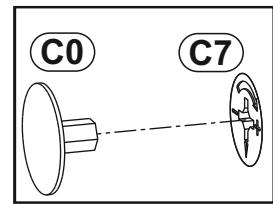
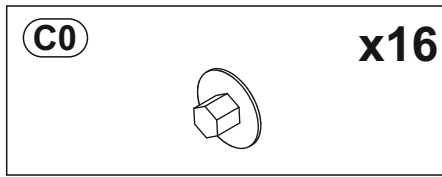
22 ▶

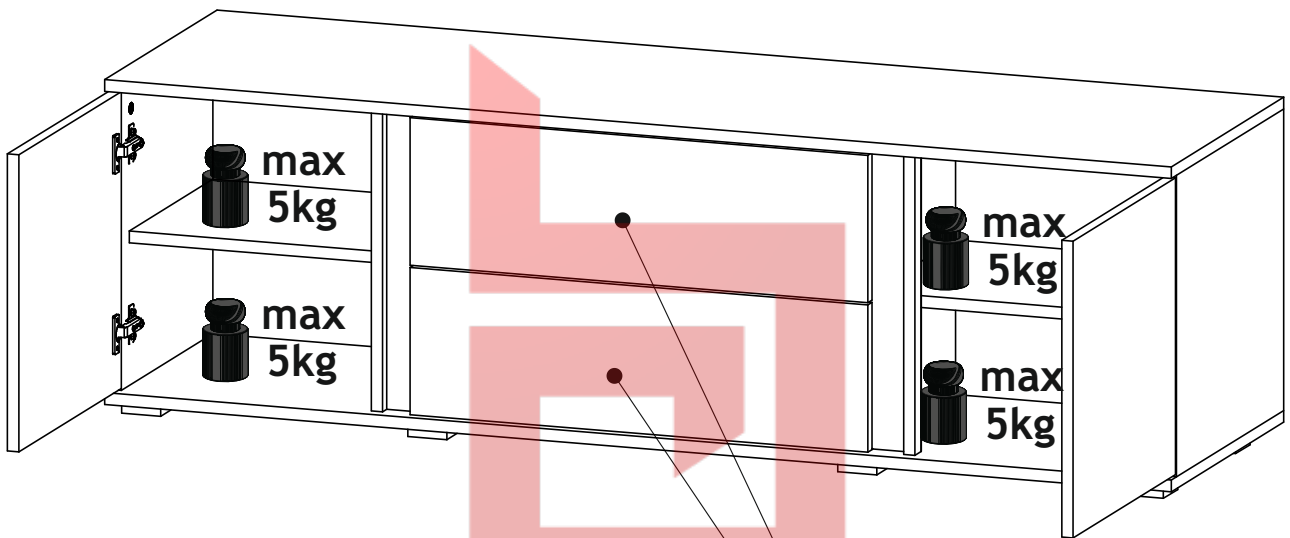


23 ▶



24 ▶





BRISTOL

• МАГАЗИН МЕБЛІВ •