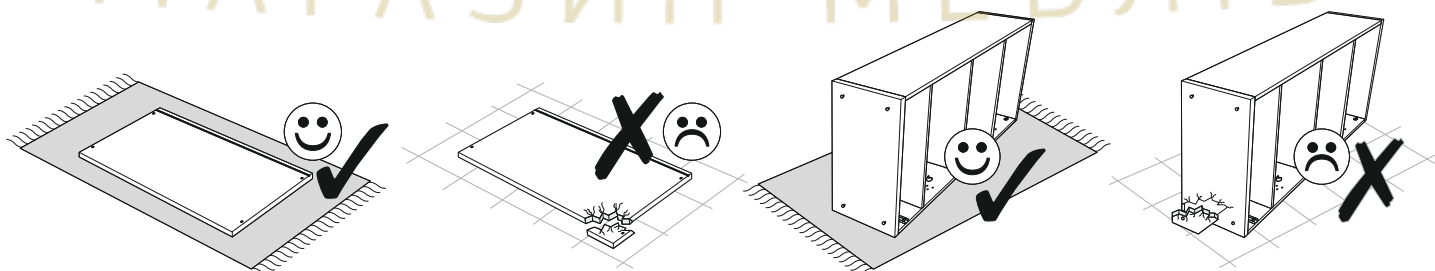
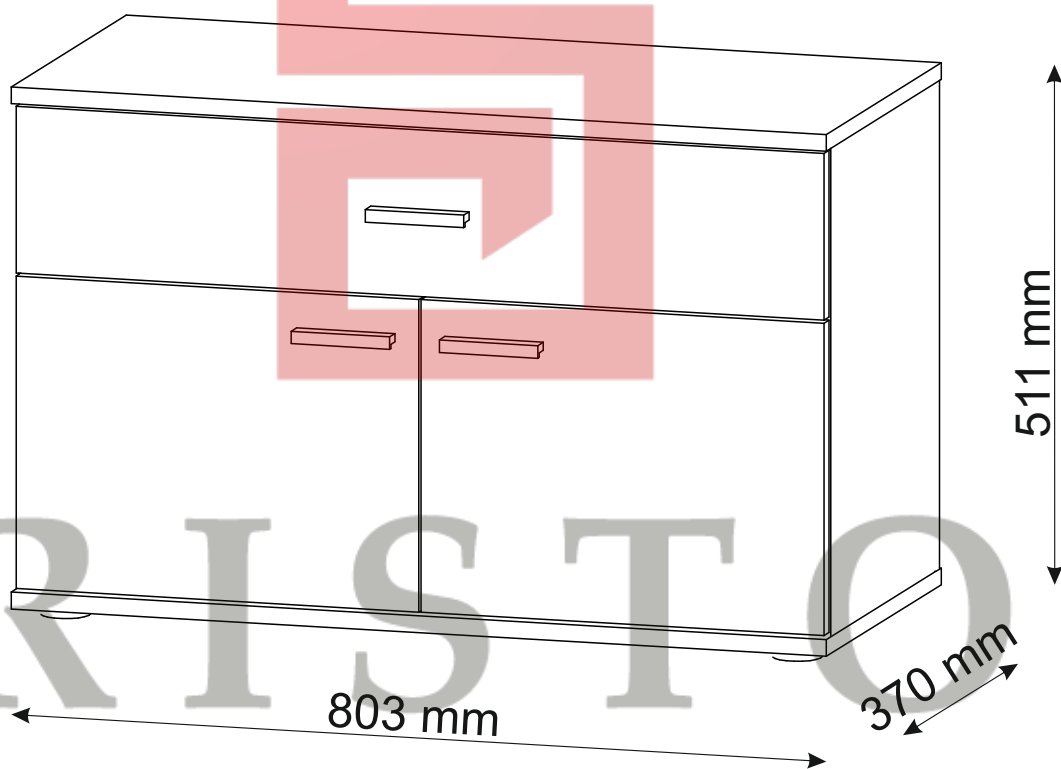
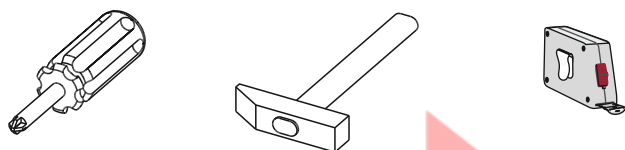
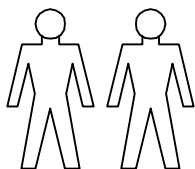
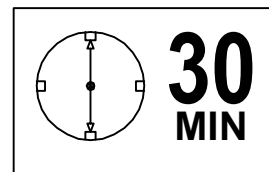


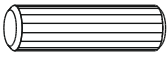


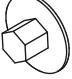

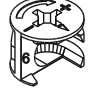

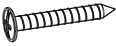
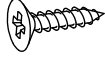

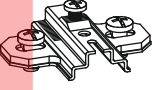
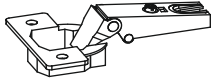

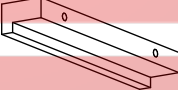

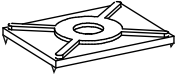
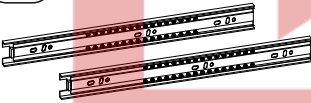



BARCELONA STAND 2D 1Dr



BARCELONA

STAND 2D 1Dr

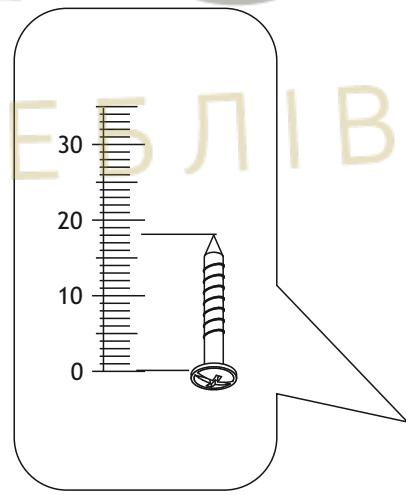
MM

(A0) 8 x 30mm x24 	(B0) x4 	(B1) f 7 x 50 mm x10 
(C0) x6 x4 	(C2) x10 	(C7) x10 16mm 
(D0) 3 x 15 mm x27 	(D7) 3,5 x 27 mm x6 	(D10) 4 x 16 mm x8 
(D21) 5 x 13 mm x12 	(J6) x4 	(J8) x4 
(K) 4mm x1 	(L1) x3 	(M1) x24 
(M3) x3 	(N6) L-300 x1 	(T8) x10 
(T11) x5 	(U0) x2 	

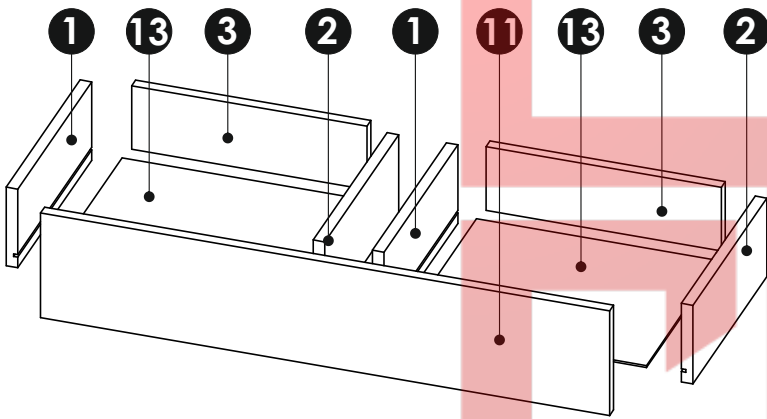
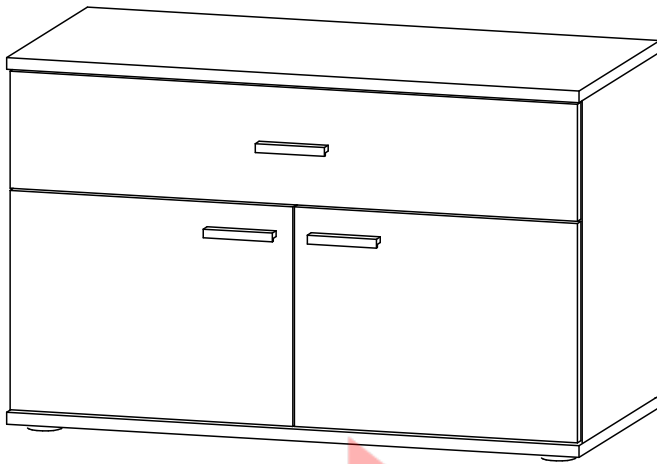



BRISTOL

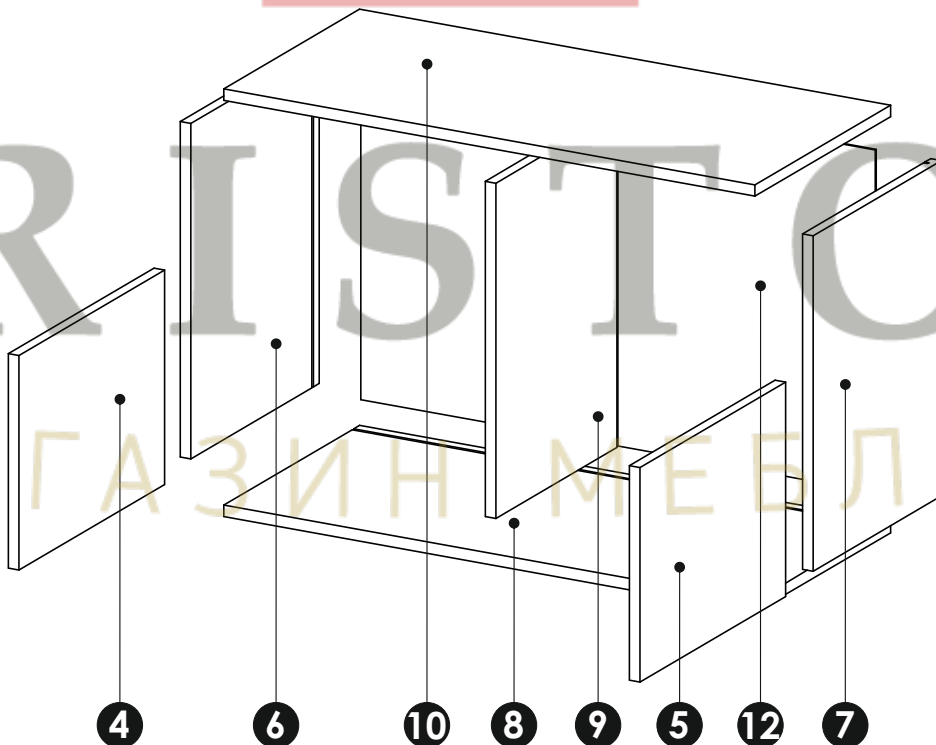
• МАГАЗИН МЕБЛІВ •

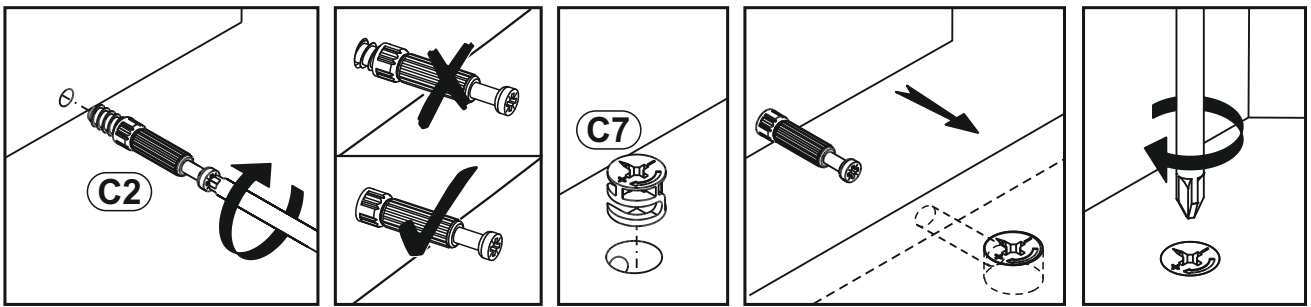


BARCELONA STAND 2D 1Dr



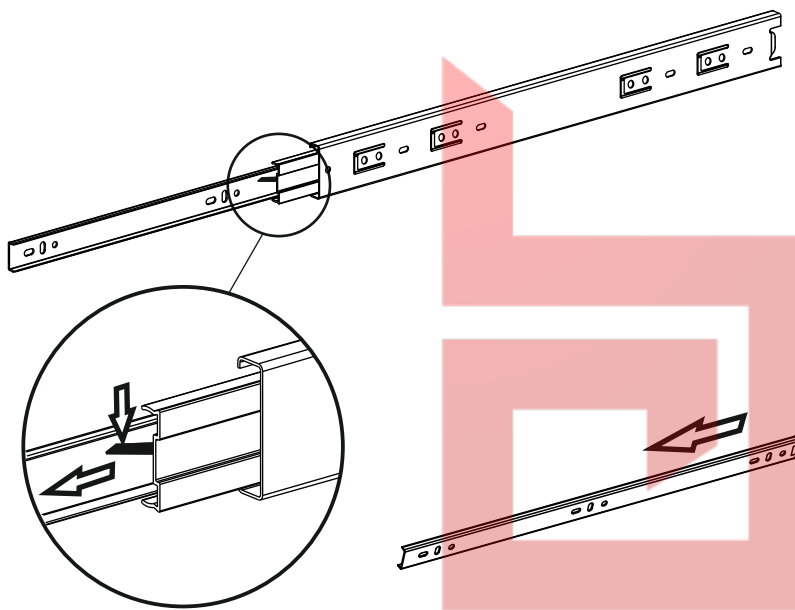
1	300	120	16	x2	1/1
2	300	120	16	x2	1/1
3	329	97	16	x2	1/1
4	300	397	16	x1	1/1
5	300	397	16	x1	1/1
6	469	350	16	x1	1/1
7	469	350	16	x1	1/1
8	803	370	16	x1	1/1
9	469	330	16	x1	1/1
10	803	370	16	x1	1/1
11	796	160	16	x1	1/1
12	778	479	3	x1	1/1
13	339	305	3	x2	1/1
					1/1



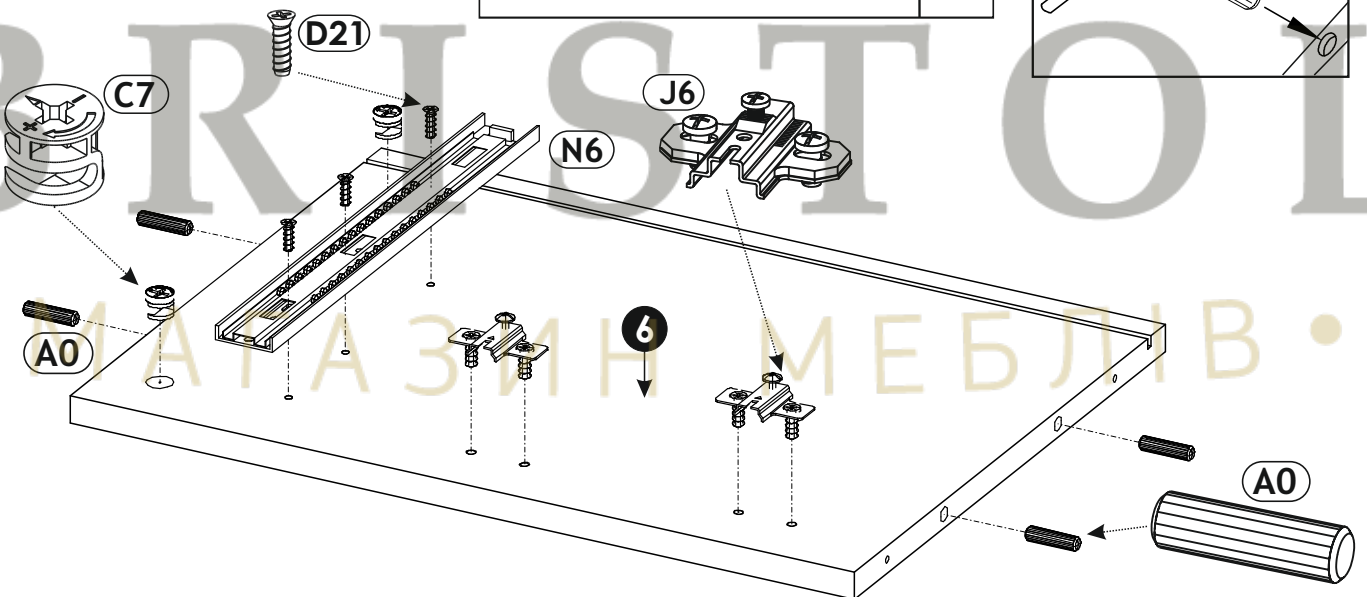
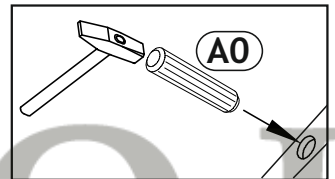
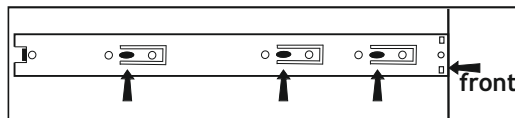


1 ▶

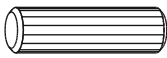


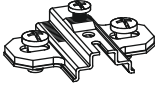
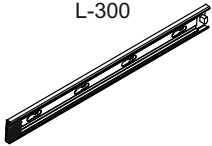
A0	8 x 30mm	x4	C7	16mm	x2	D21	5 x 13 mm	x3
-----------	----------	-----------	-----------	------	-----------	------------	-----------	-----------

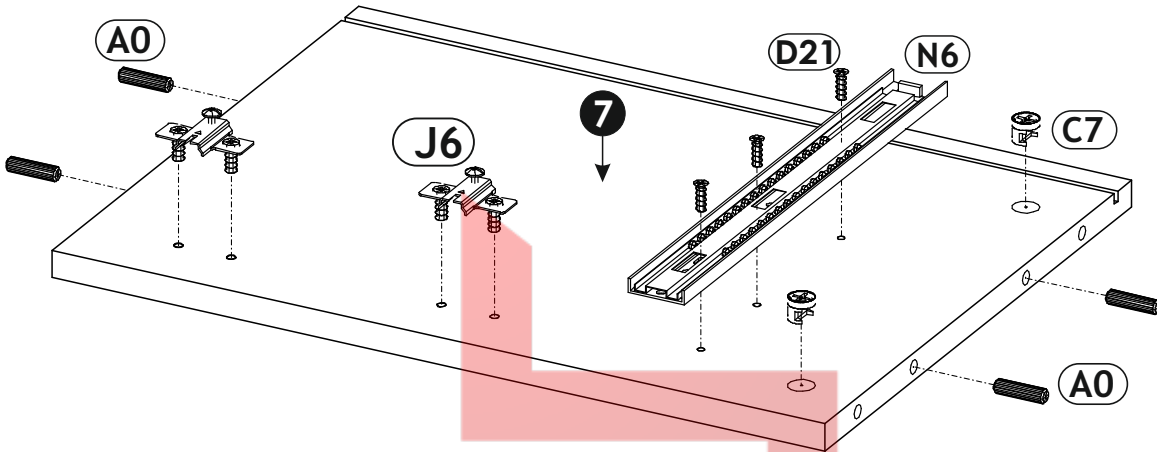


J6		x2
N6	L-300	x1





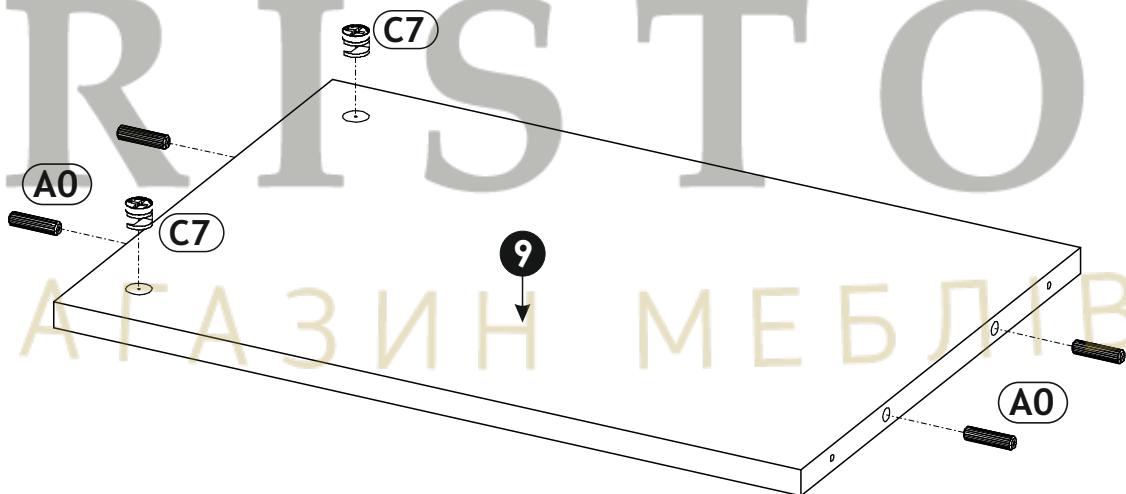
2 ▶

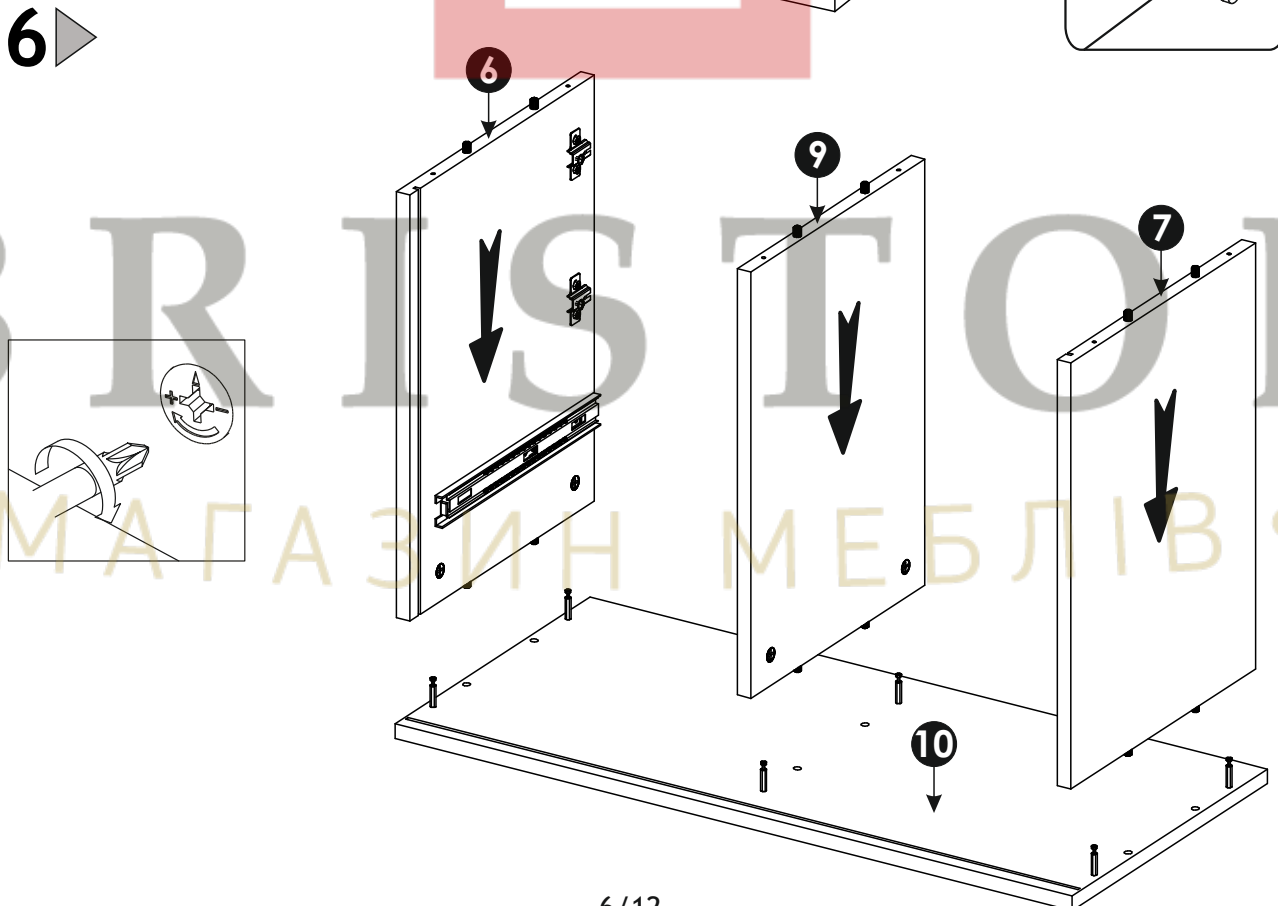
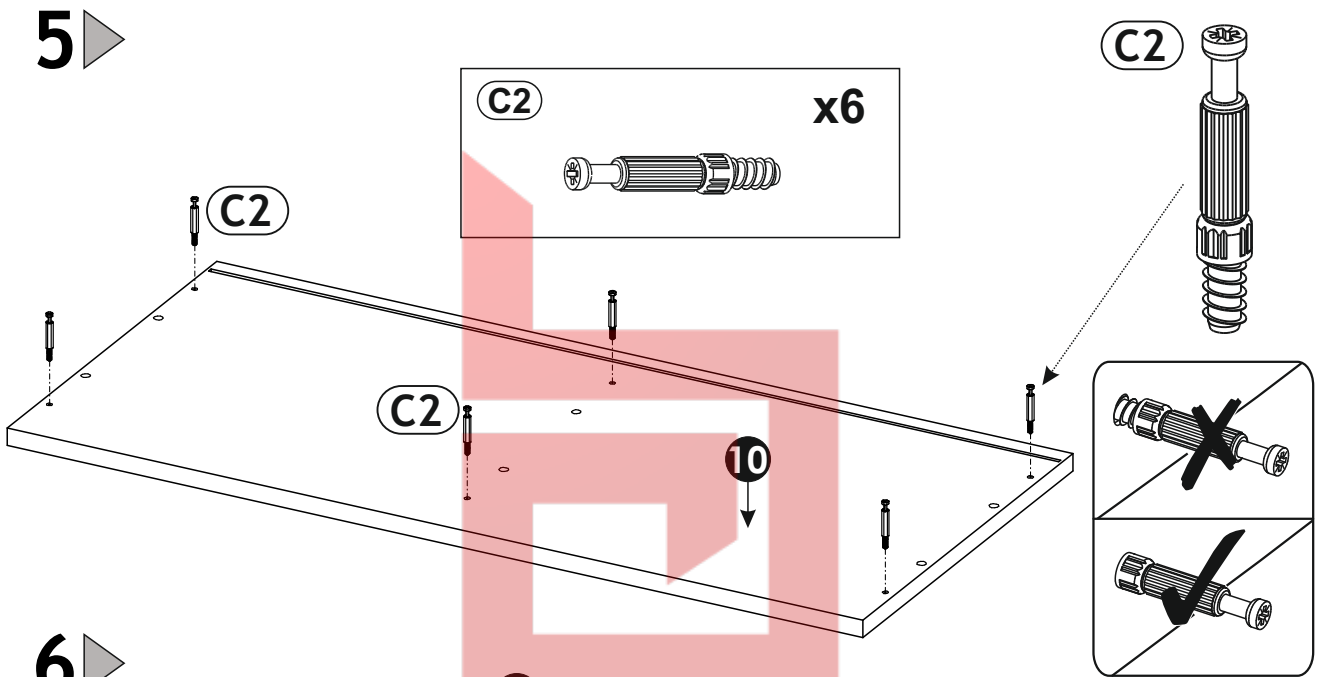
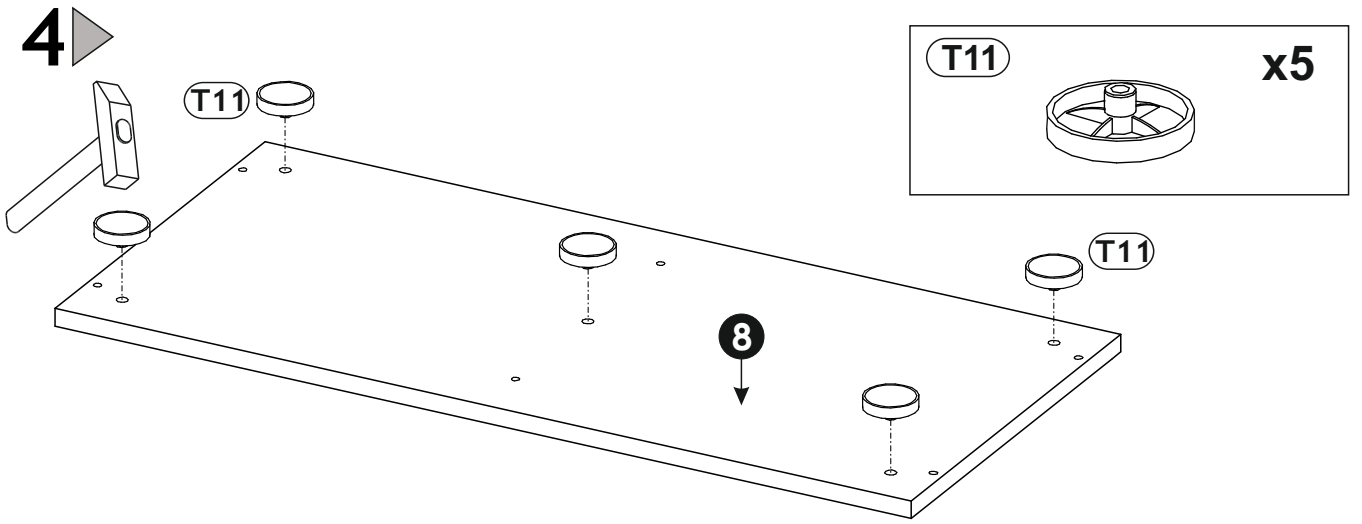
(A0) 8 x 30mm x4 	(C7) 16mm x2 	(D21) 5 x 13 mm x3 
(J6) x2 		(N6) L-300 x1 



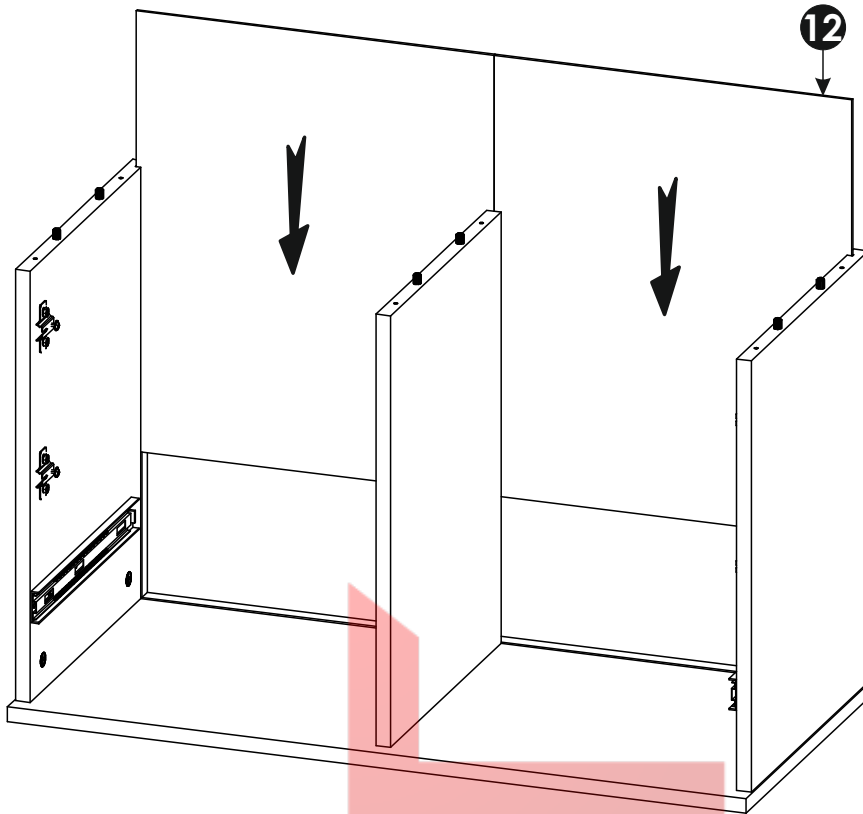
3 ▶

(A0) 8 x 30mm x4 	(C7) 16mm x2 
---	---

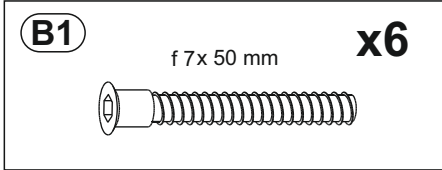
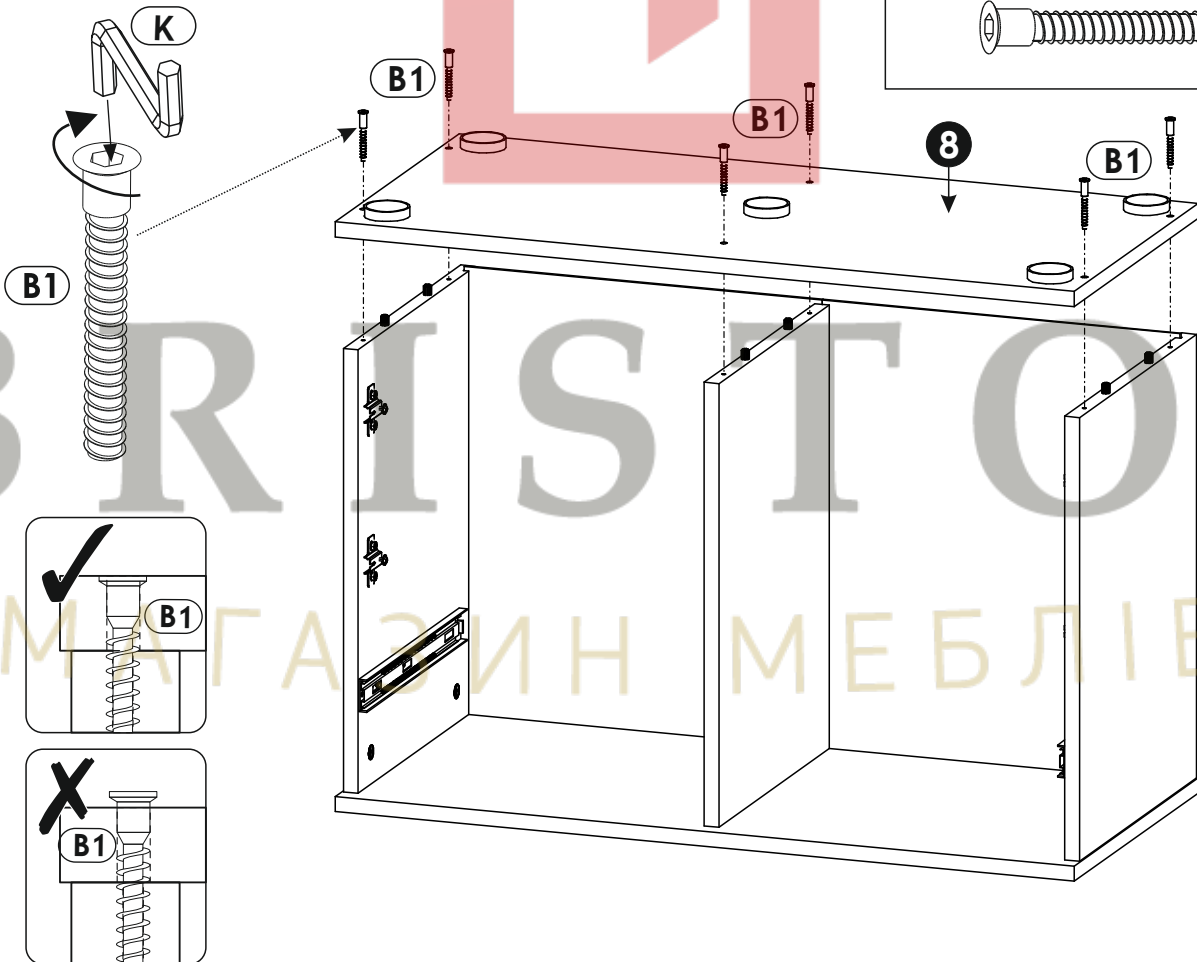




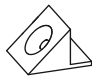
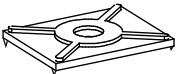
7 ▶

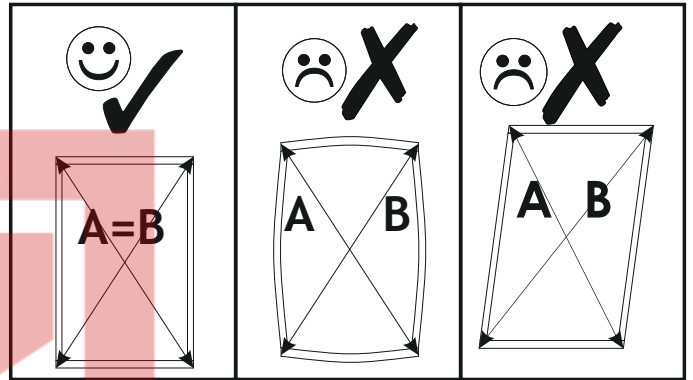
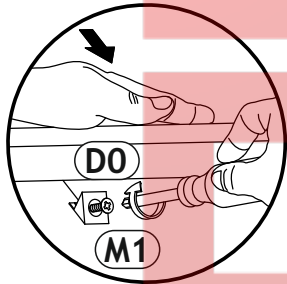
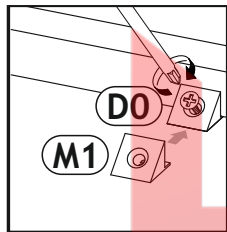
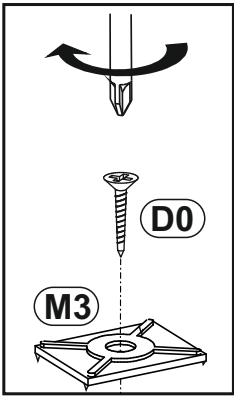
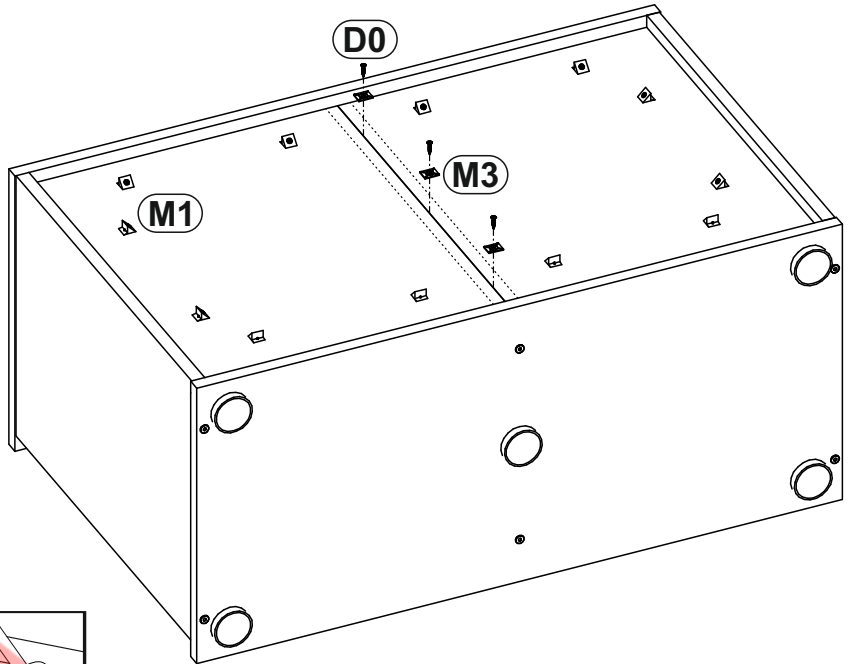


8 ▶



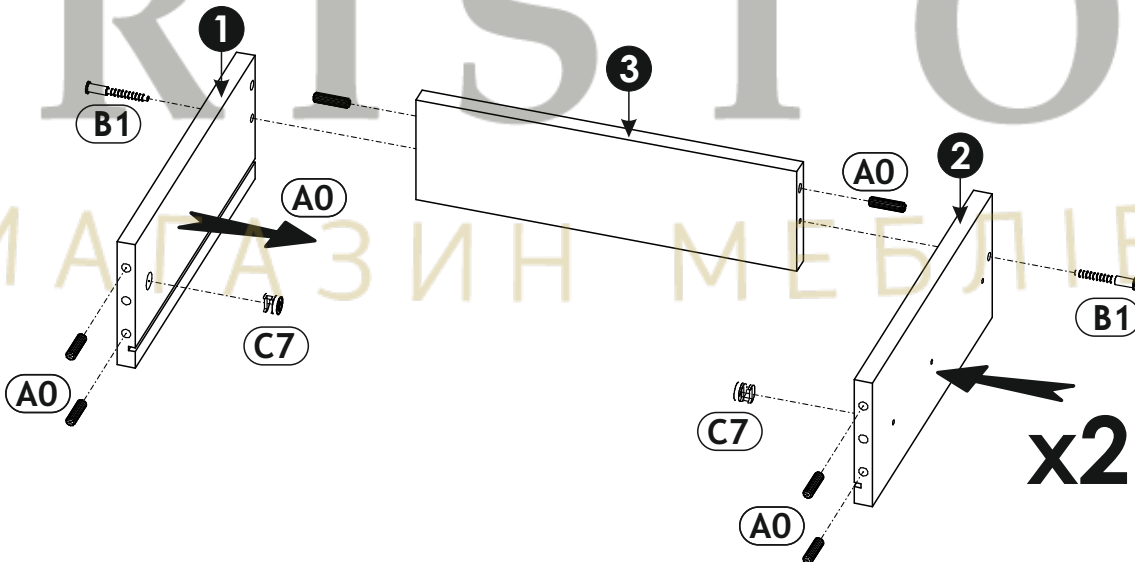
9 ▶

D0	3 x 15 mm	x15
M1		x12
M3		x3

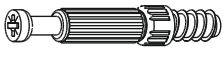
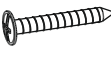

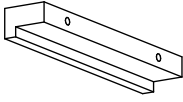
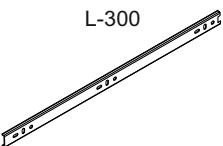


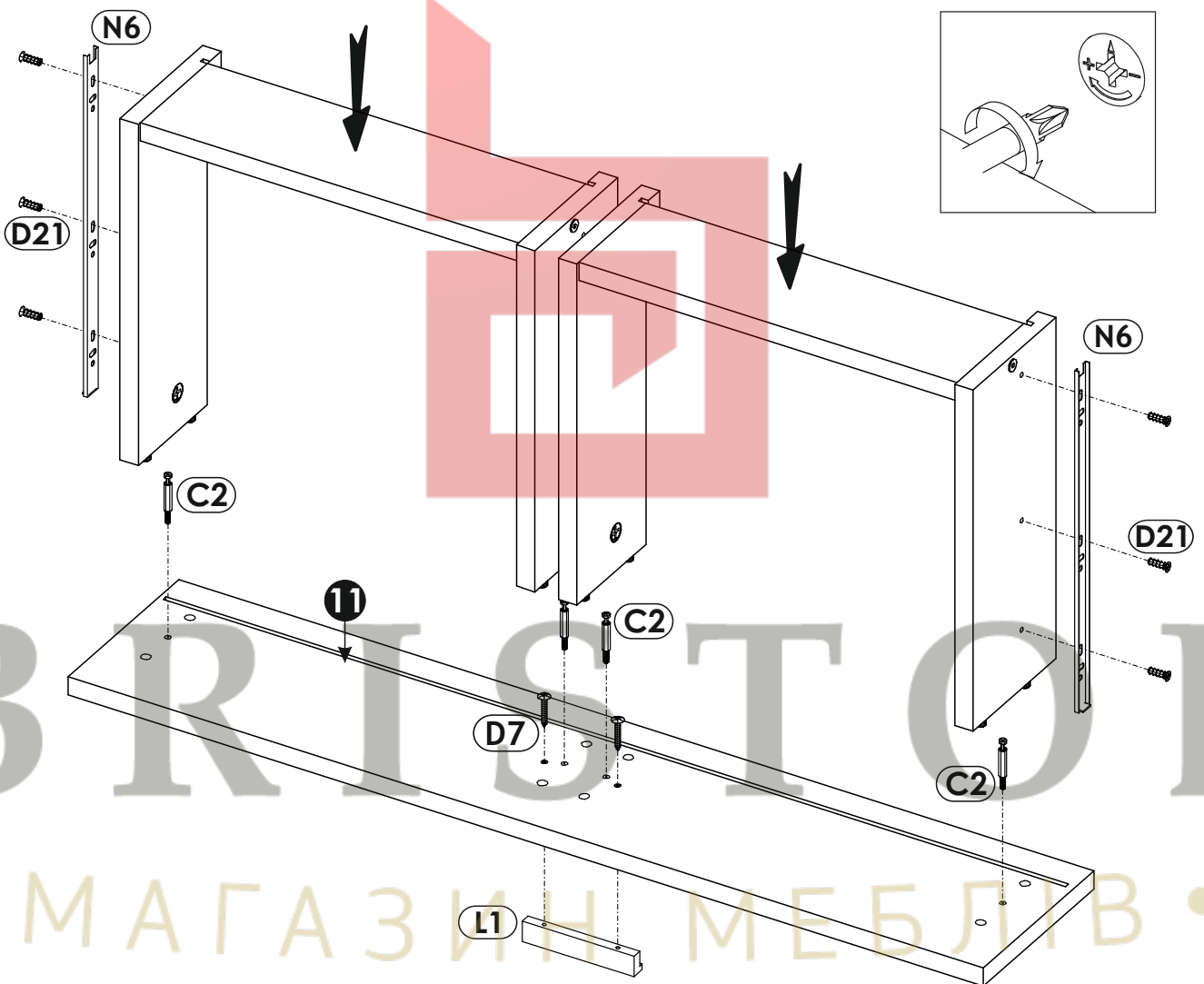
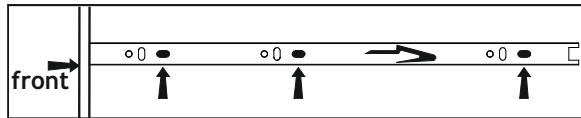
10 ▶

A0	8 x 30mm	x12	B1	f 7 x 50 mm	x4	C7	16mm	x4
-----------	----------	------------	-----------	-------------	-----------	-----------	------	-----------

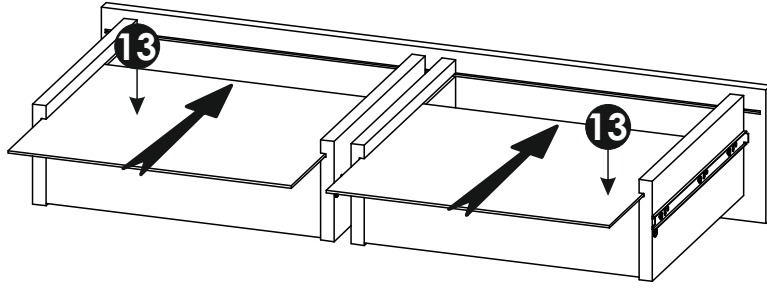


11 ▶


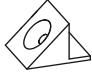

(C2)  x4	(D7) 3,5 x 27 mm  x2	(D21) 5 x 13 mm  x6
(L1)  x1	(N6) L-300  x2	

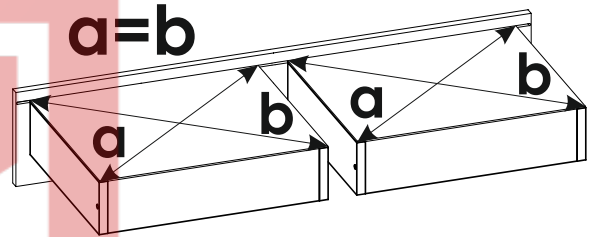
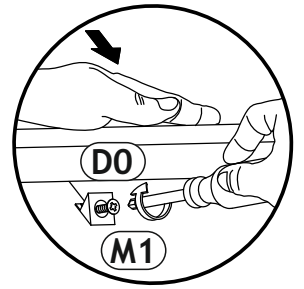
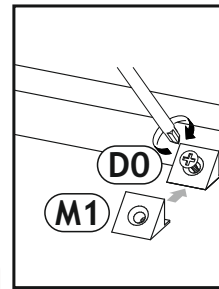
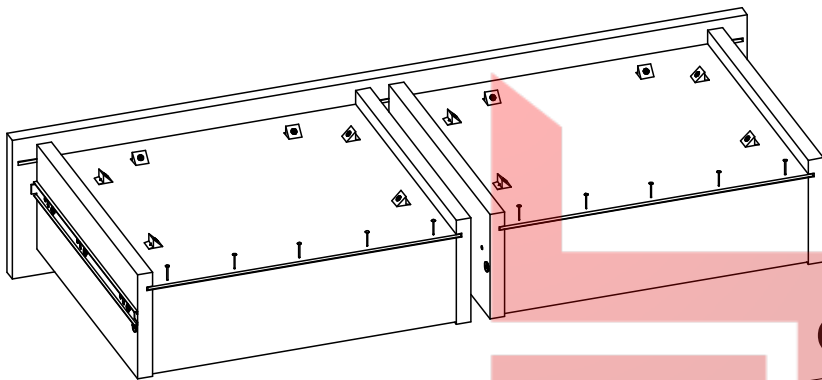


12 ▶

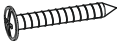

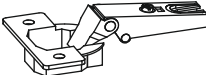



13 ▶


(D0) 3 x 15 mm 	x12	(M1) 	x12	(T8) 	x10
---	------------	--	------------	--	------------

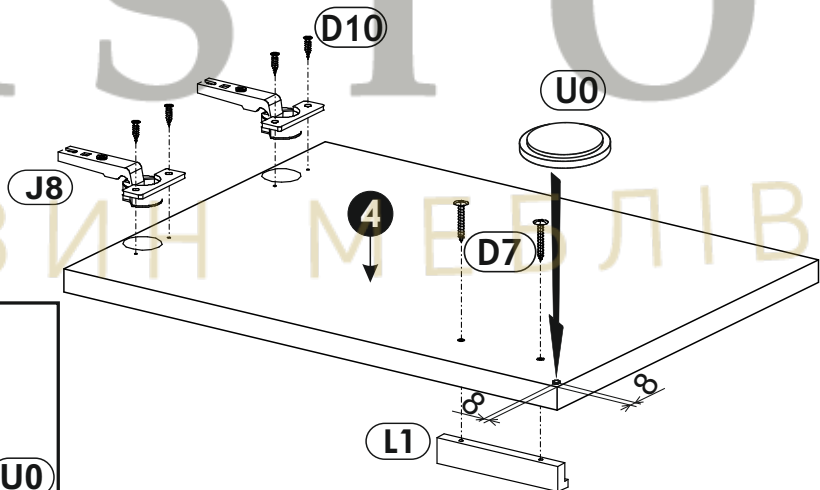
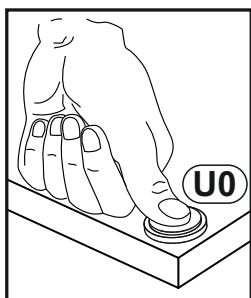
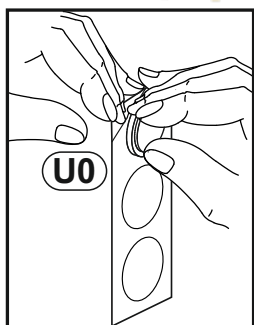


14 ▶



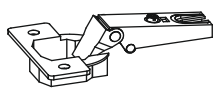
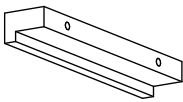

(D7) 3,5 x 27 mm 	x2	(D10) 4 x 16 mm 	x4	(J8) 	x2
---	-----------	--	-----------	--	-----------

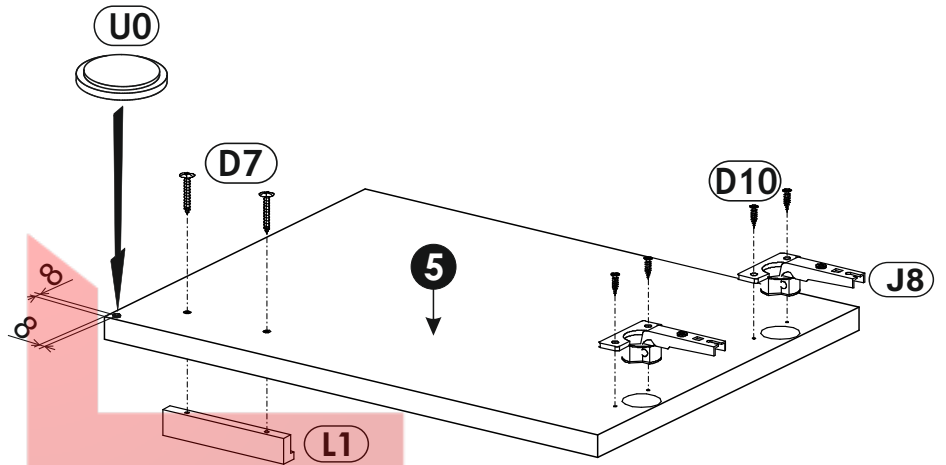
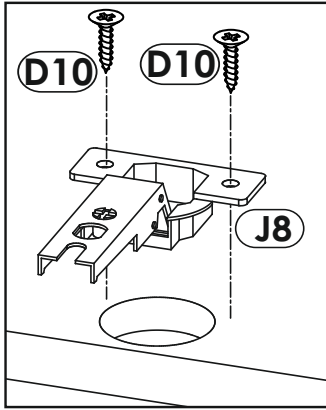
(L1) 	x1
--	-----------

(U0) 	x1
--	-----------

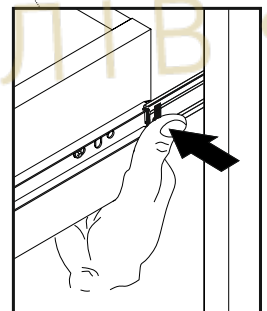
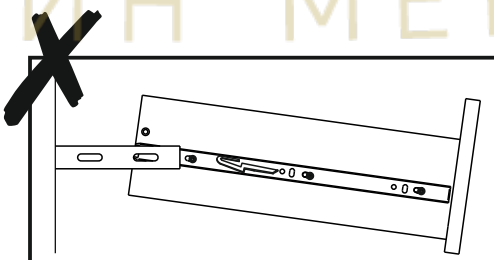
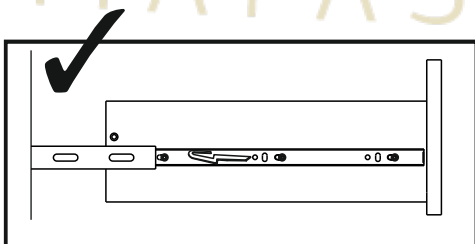
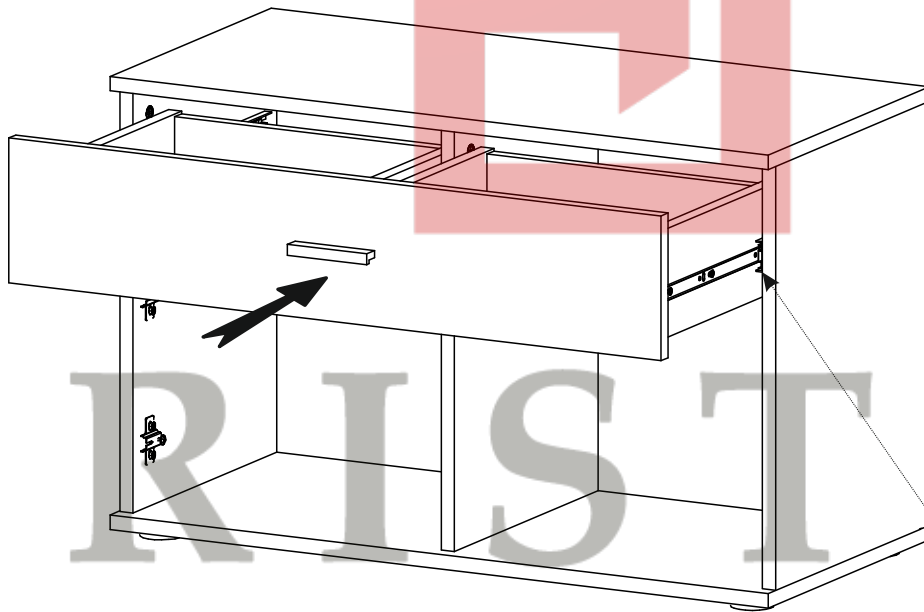


15 ▶

(D7) 3,5 x 27 mm x2 	(D10) 4 x 16 mm x4 	(J8) x2 
(L1) x1 		(U0) x1 



16 ▶



17

