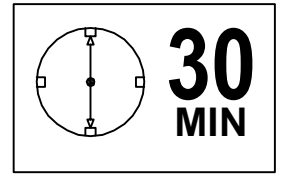
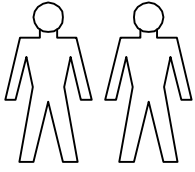


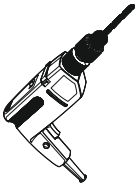
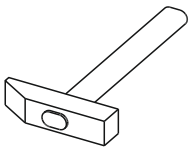
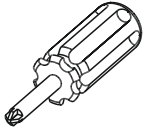
BARCELONA

WARDROBE 2D

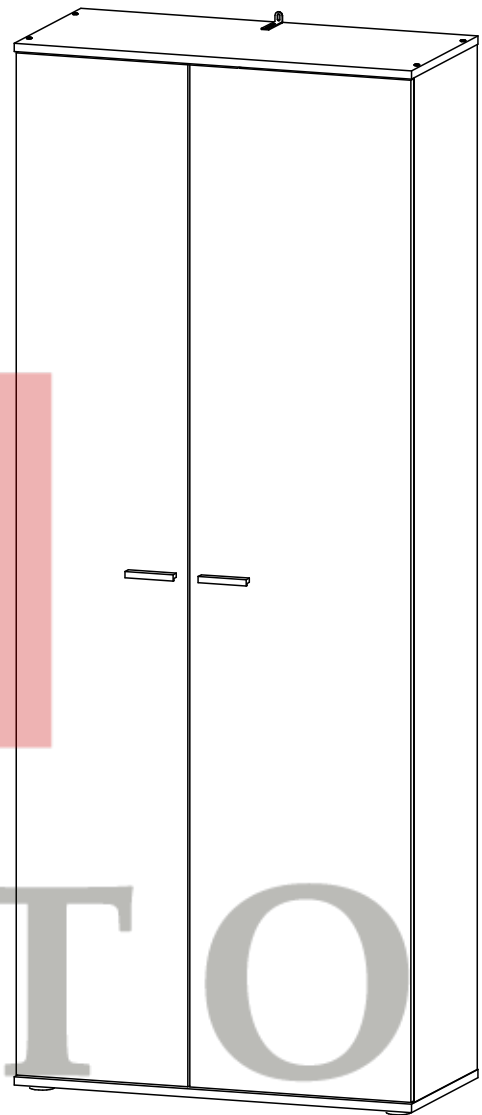
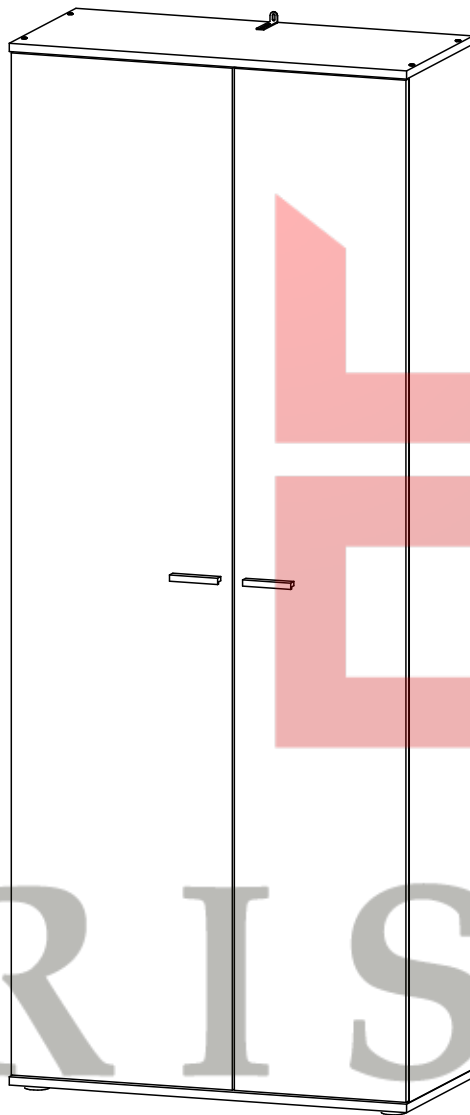


A

B



Ø8

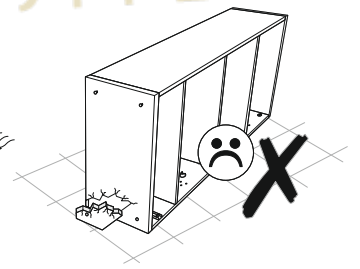
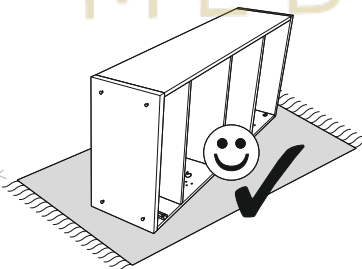
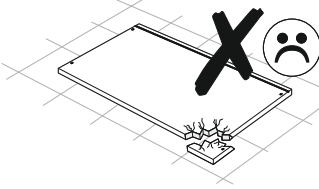
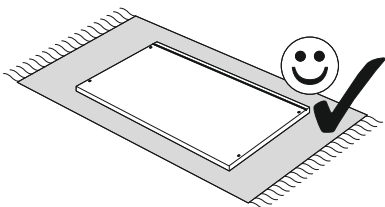


803 mm

370 mm

803 mm

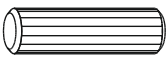
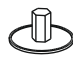
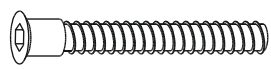





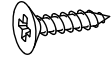

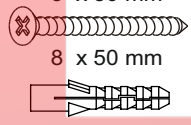

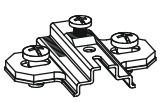
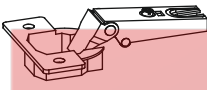
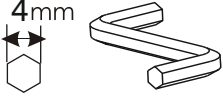
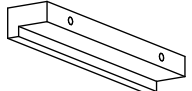

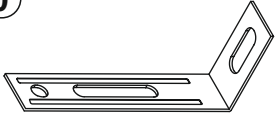
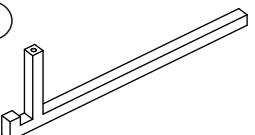
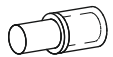

370 mm

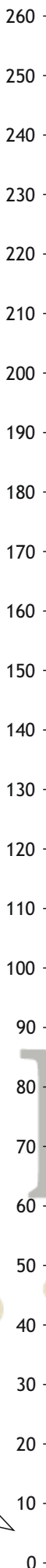


BARCELONA

WARDROBE 2D

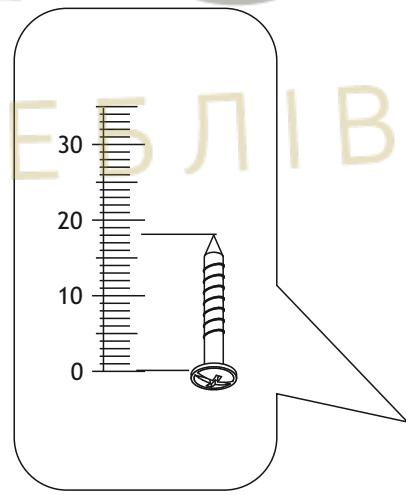
MM

A0 8 x 30mm x20 	B0  x4	B1 f 7 x 50 mm x8 
C0  x4	C2  x8	C7 16mm  x8
D0 3 x 15 mm x18 	D7 3,5 x 27 mm x4 	D10 4 x 16 mm x16 
D21 5 x 13 mm x1 	E0 5 x 50 mm 8 x 50 mm x1 	H2 4 x 22 mm x2 
J6  x8	J8  x8	K 4mm  x1
L1  x2	M1  x18	P0  x1
P17  x1	Q4  x4	T11  x5



BRISTOL

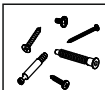
• МАГАЗИН МЕБЛІВ •

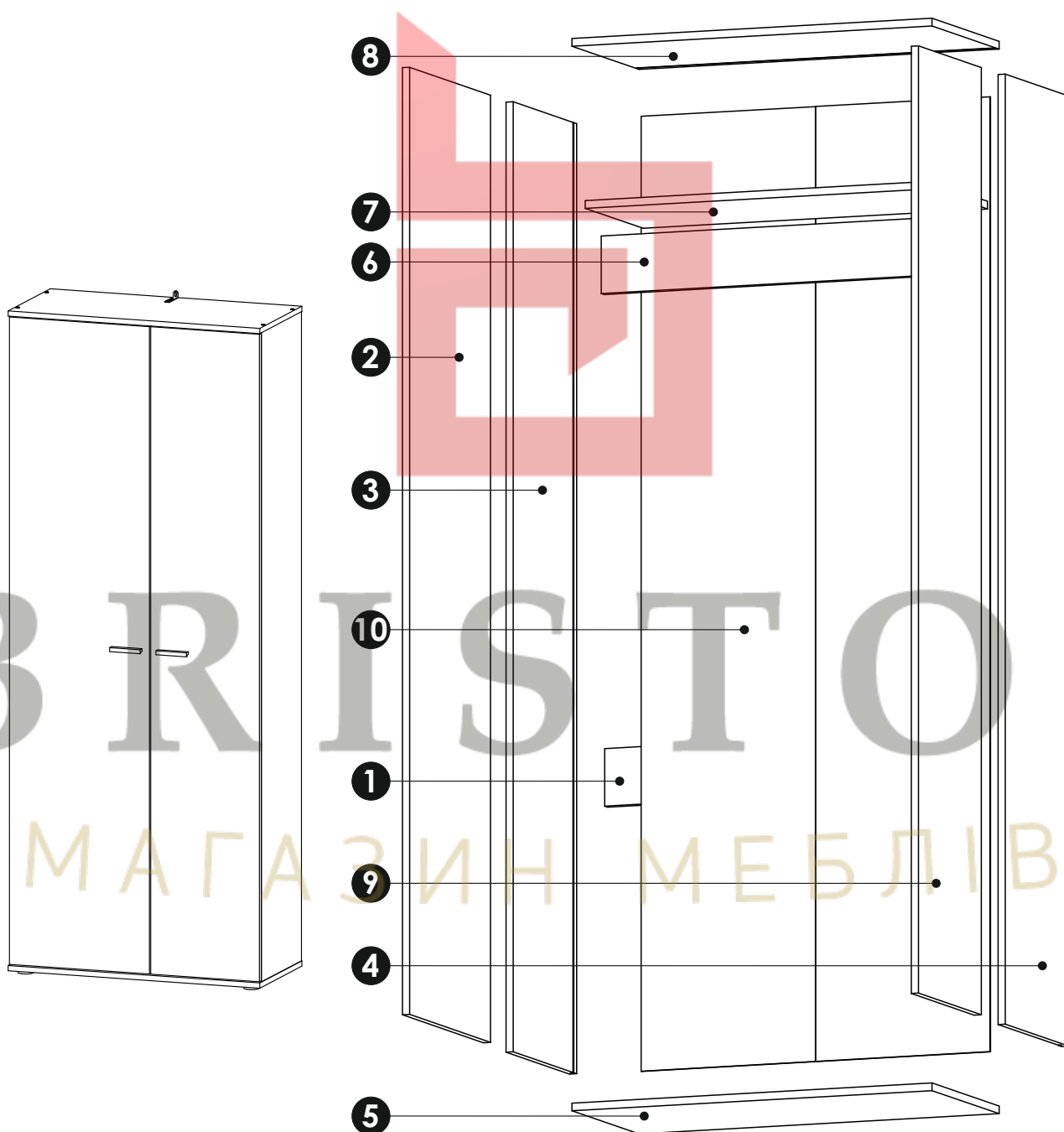


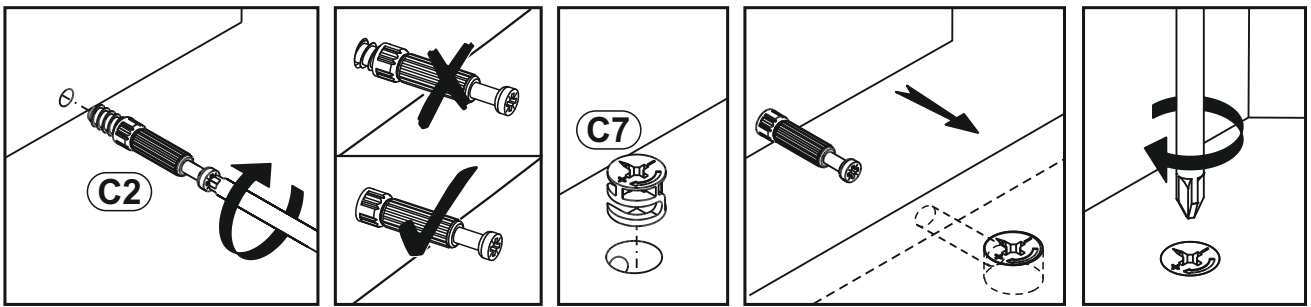
BARSELONA

WARDROBE 2D

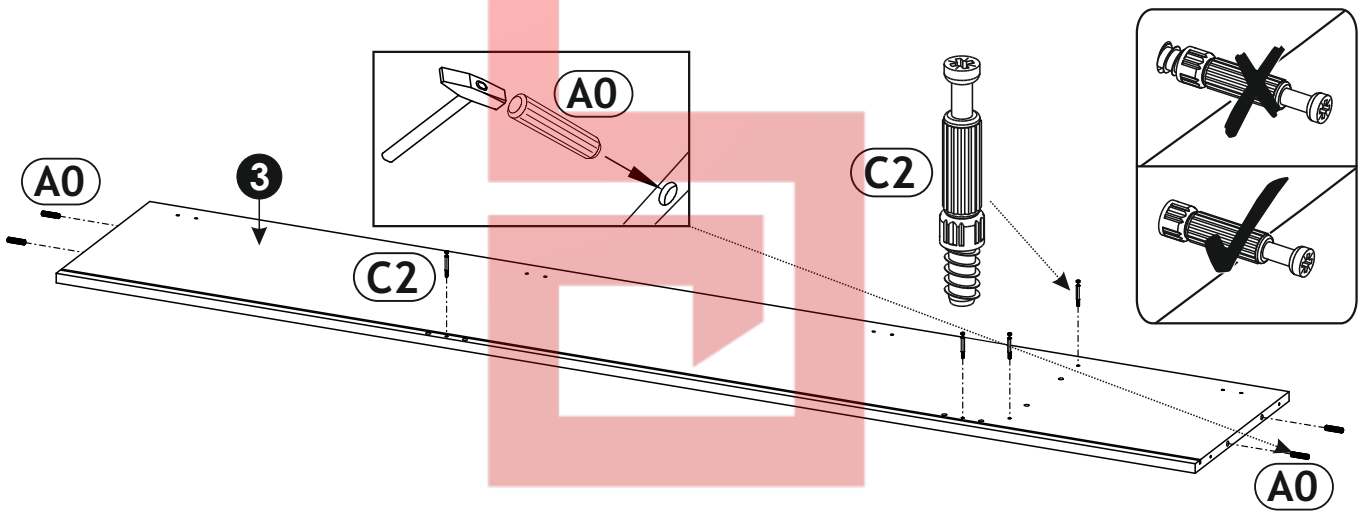
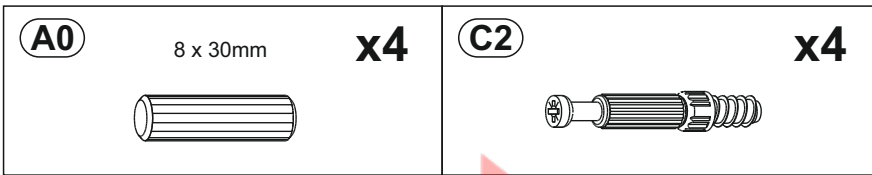
1	768	120	16	x1	2/2
2	1978	447	16	x1	1/2
3	1984	350	16	x1	1/2
4	1984	350	16	x1	1/2
5	803	370	16	x1	2/2
6	768	120	16	x1	2/2

7	768	320	16	x1	2/2
8	803	370	16	x1	2/2
9	1978	347	16	x1	1/2
10	1994	778	3	x1	1/2
					2/2

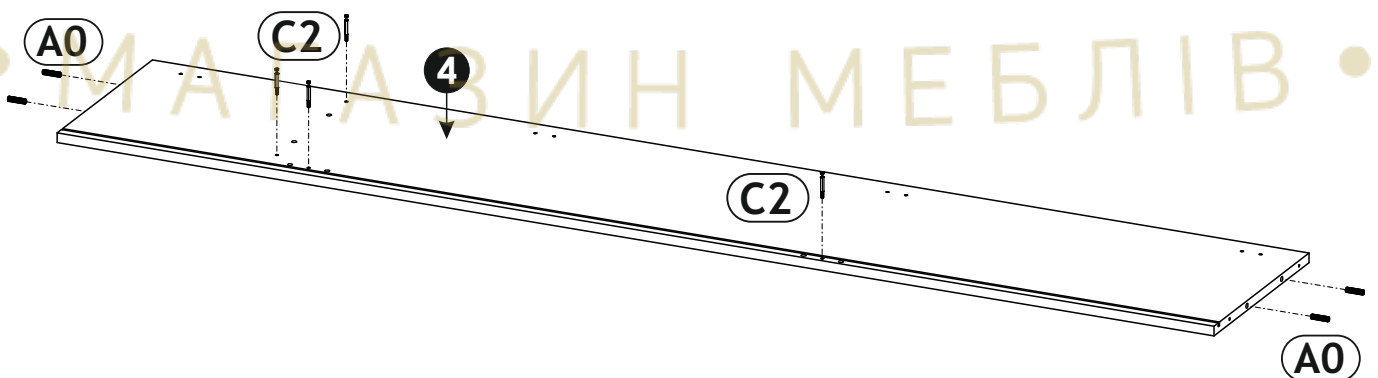
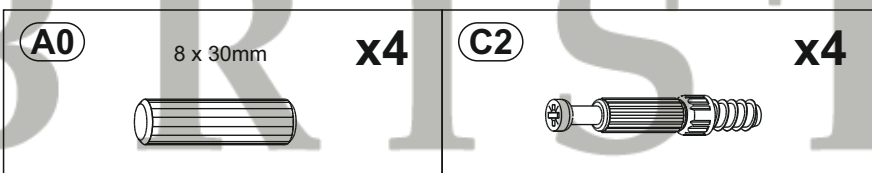





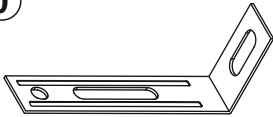
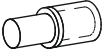
1 ▶

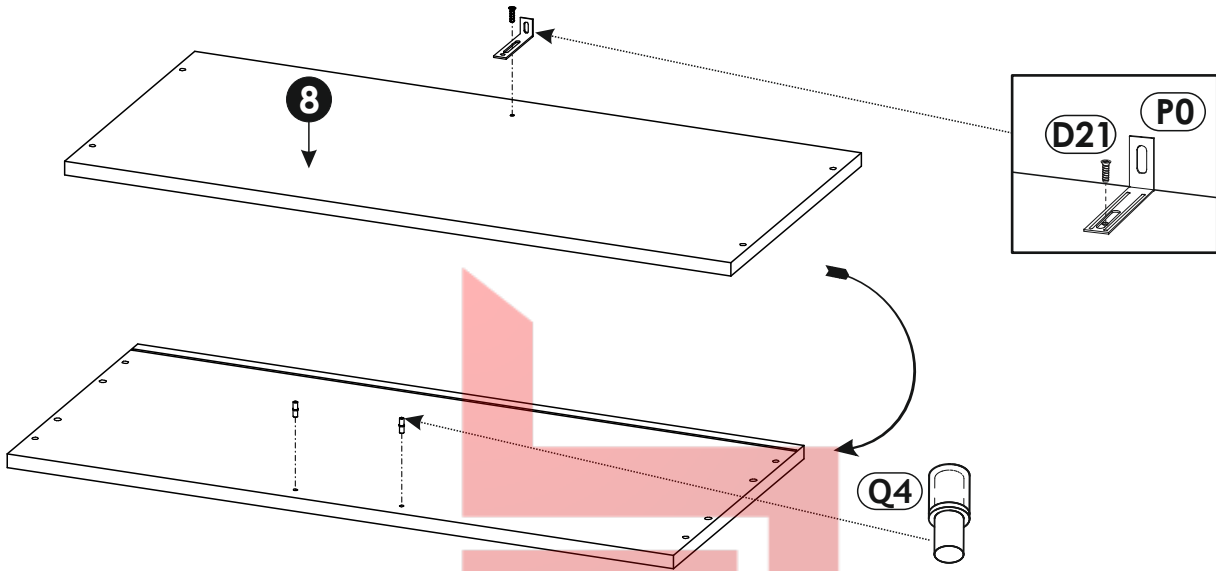


2 ▶

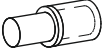



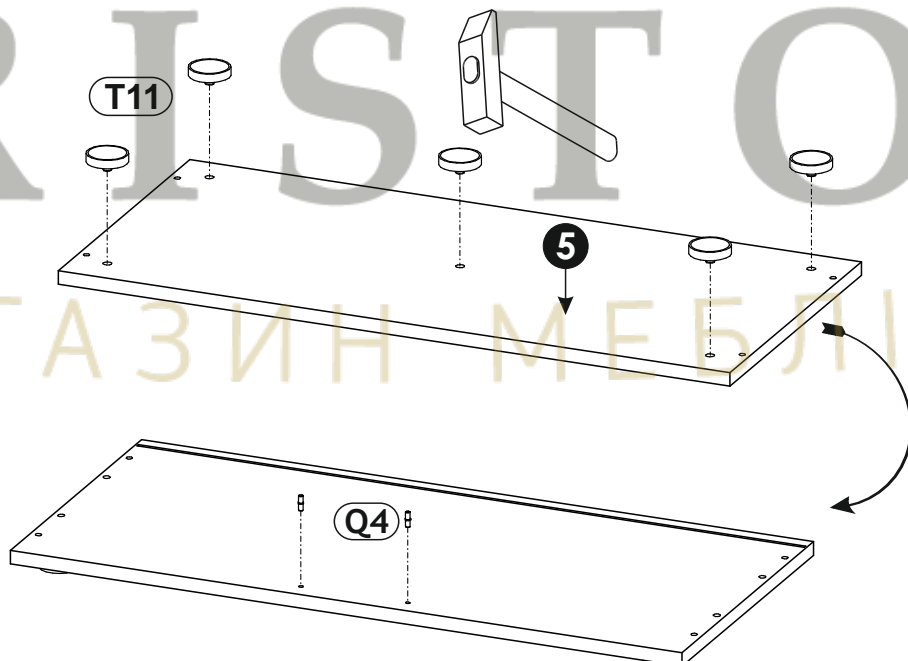
3 ▶

(D21) 5 x 13 mm 	x1	(P0) 	x1	(Q4) 	x2
--	-----------	--	-----------	--	-----------

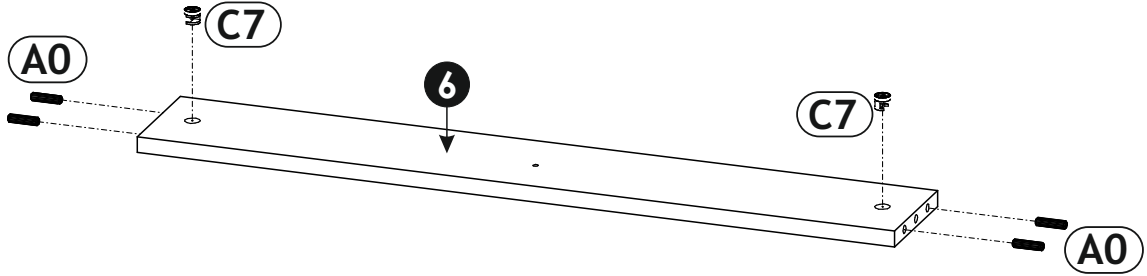
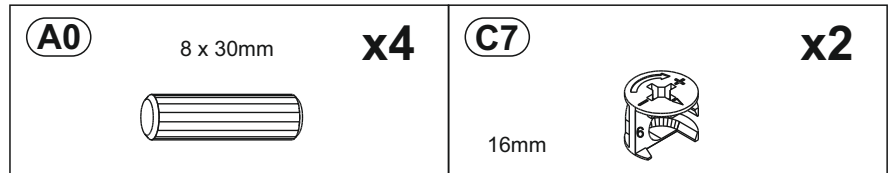


4 ▶

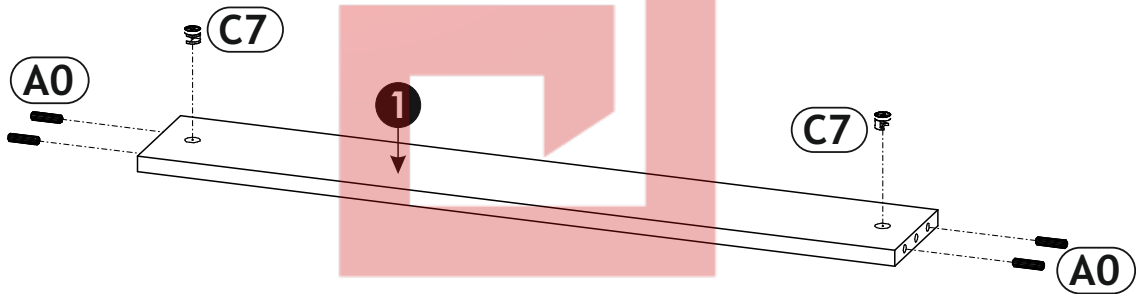
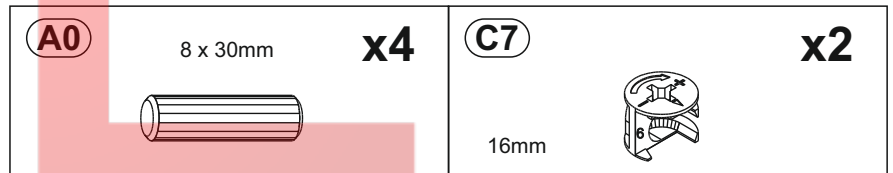
(Q4) 	x2	(T11) 	x5
--	-----------	---	-----------



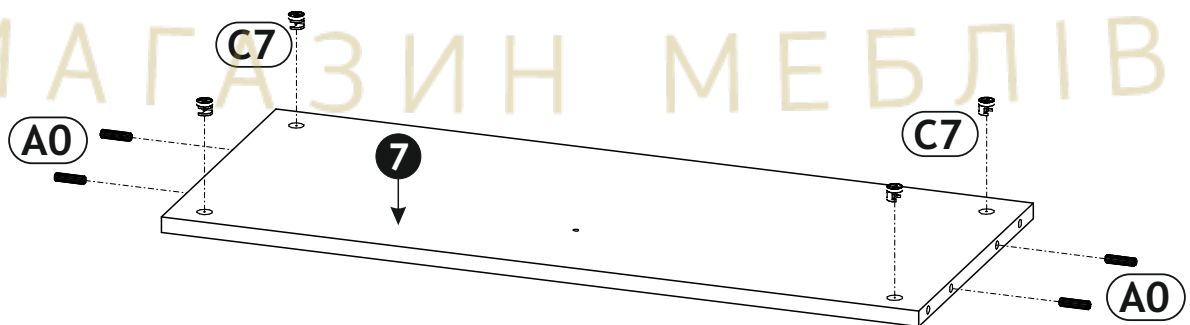
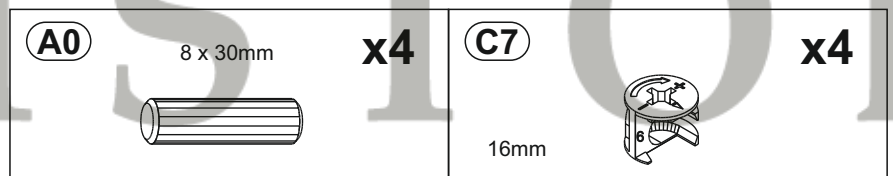
5 ▶



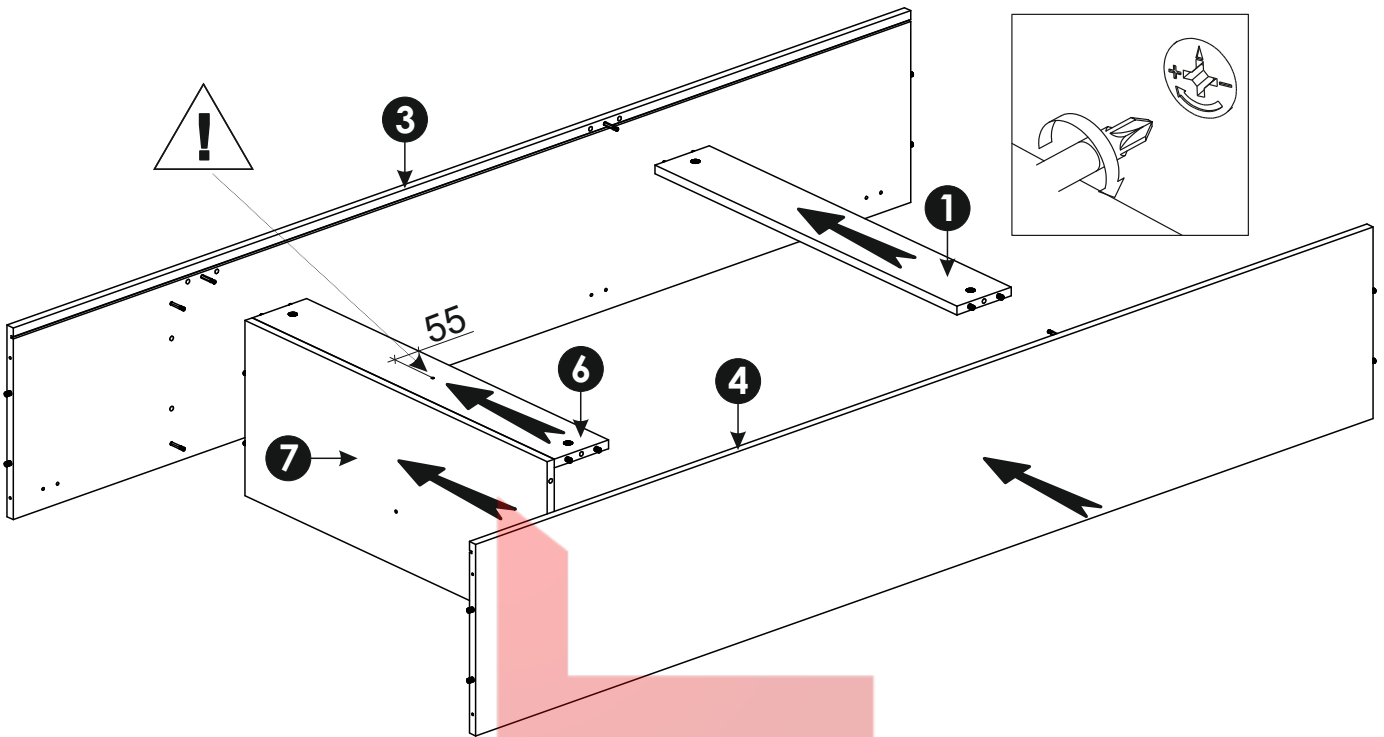
6 ▶



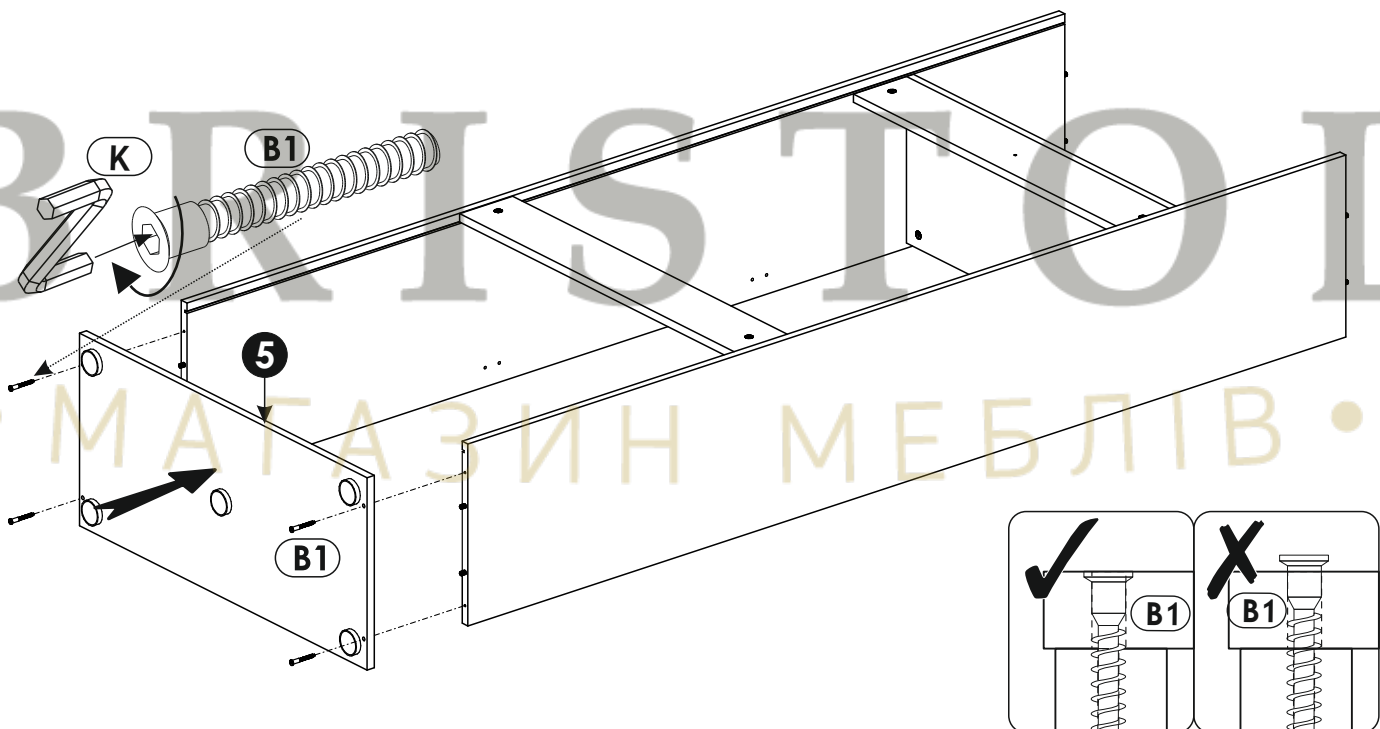
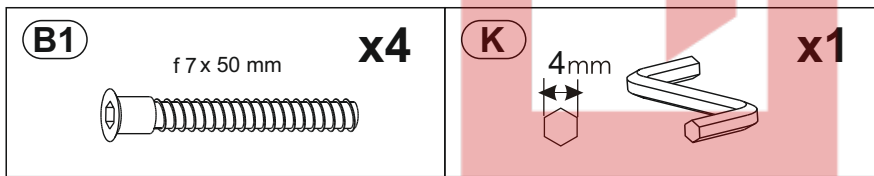
7 ▶



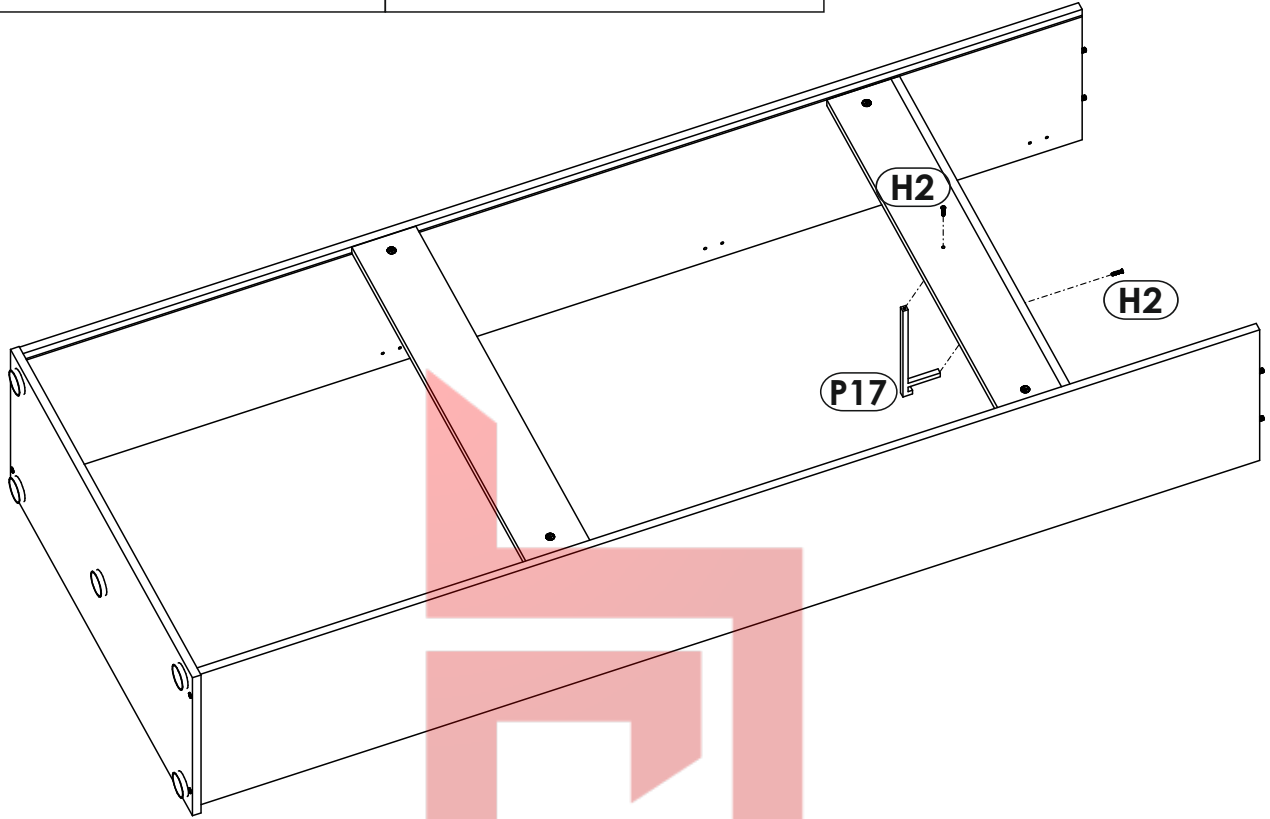
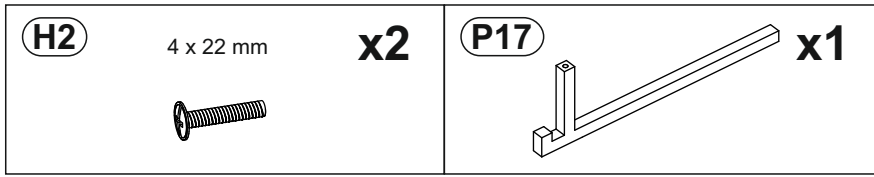
8 ▶



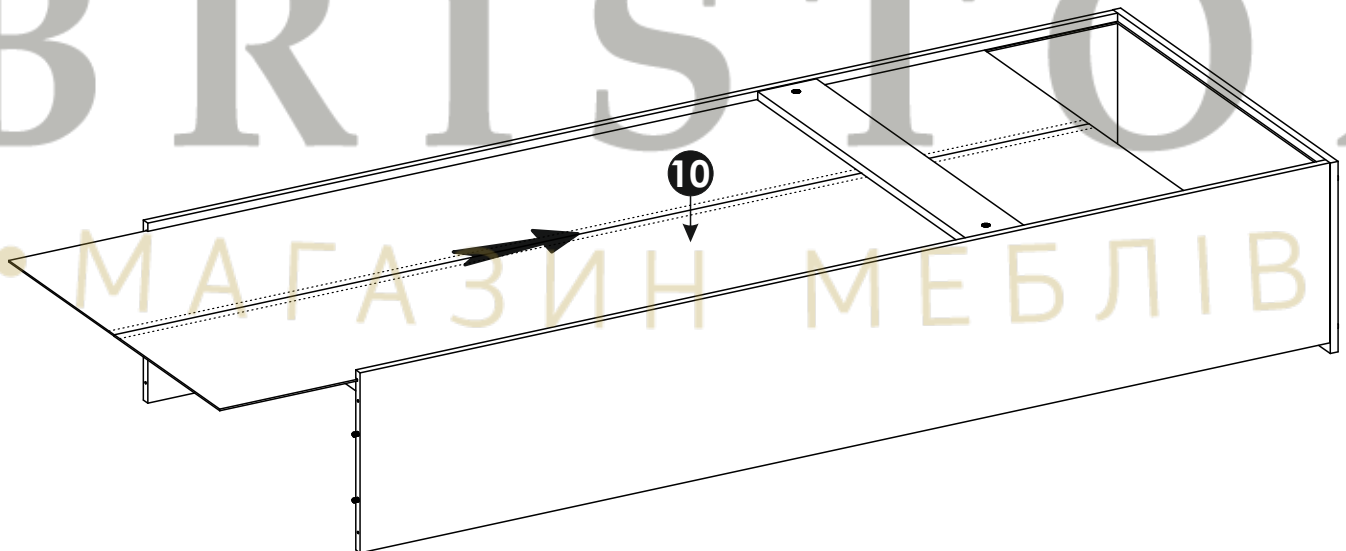
9 ▶



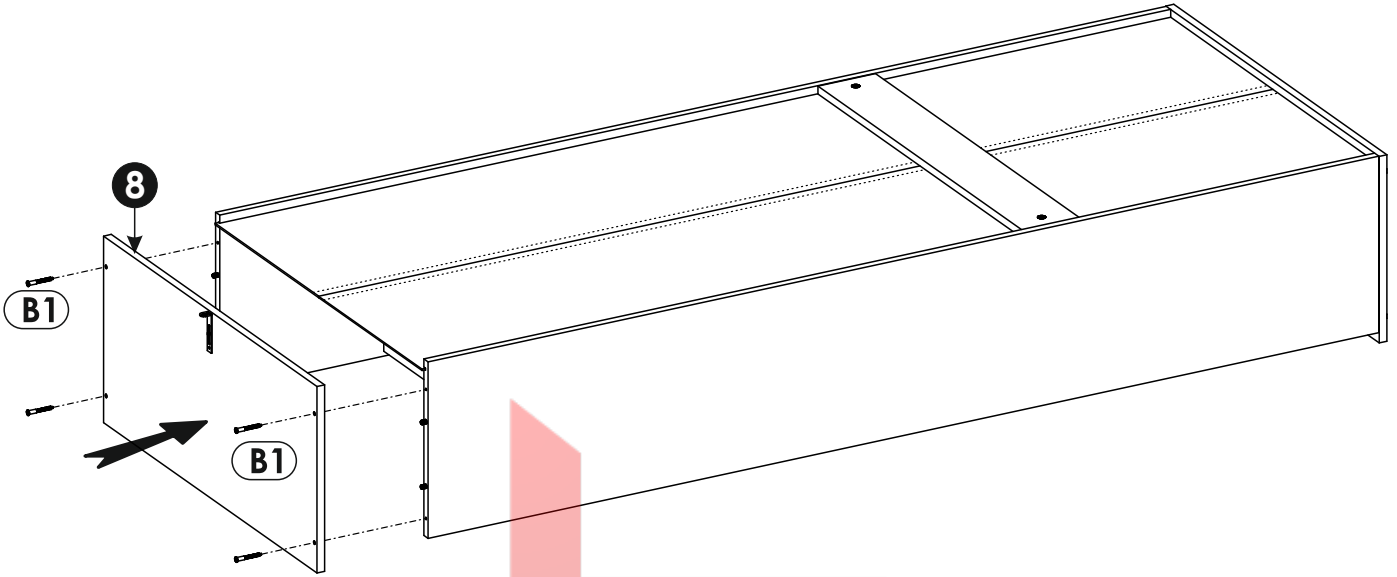
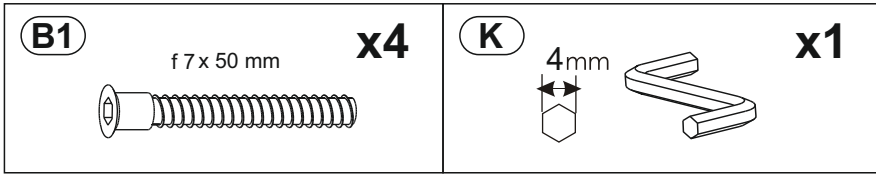
10 ▶



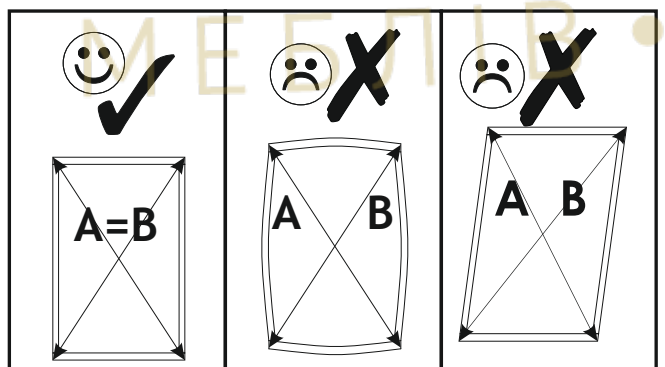
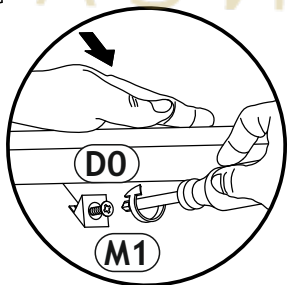
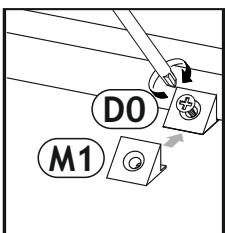
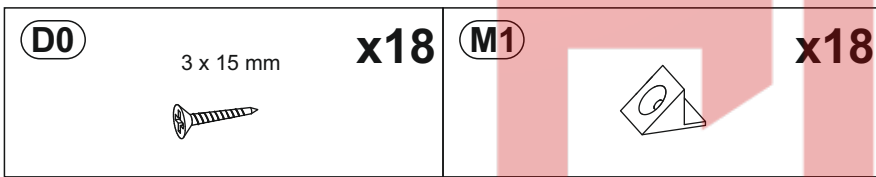
11 ▶



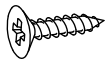

12 ▶

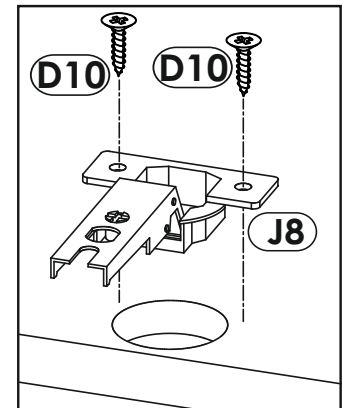
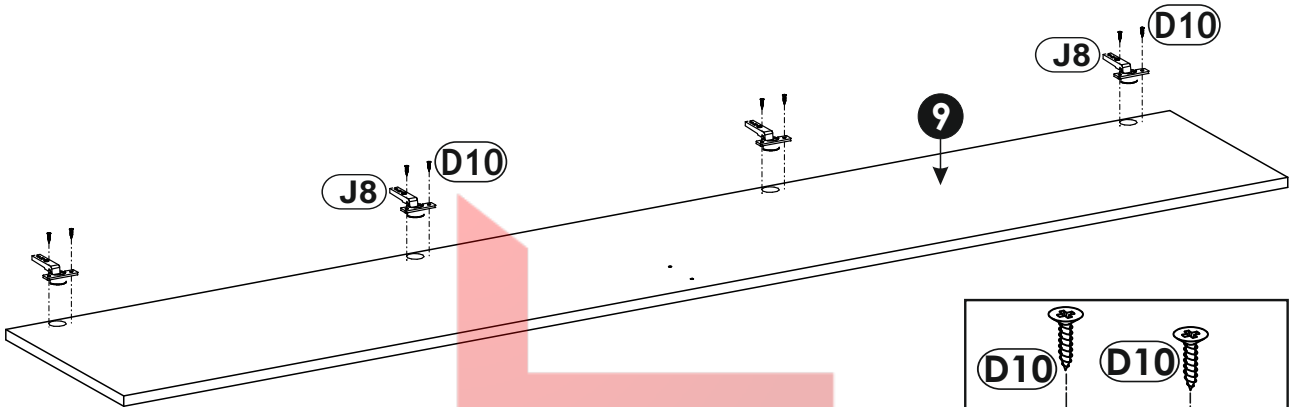


13 ▶

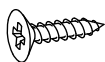
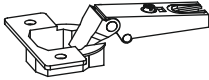


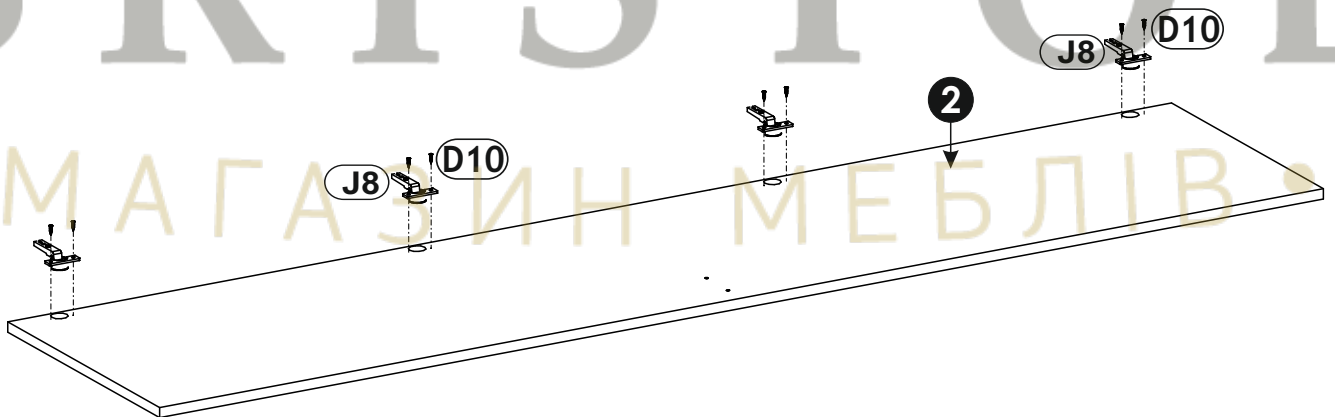
14 ▶

D10 4 x 16 mm 	x8	J8 	x4
--	-----------	--	-----------

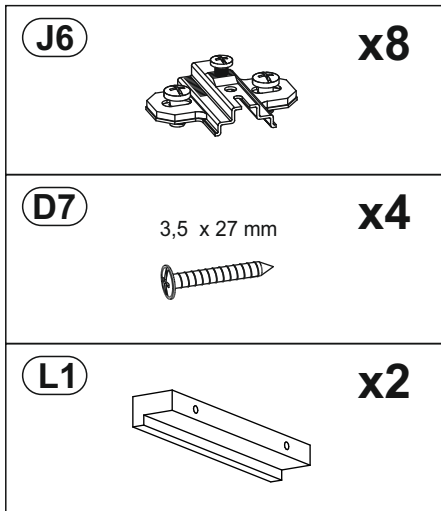


15 ▶

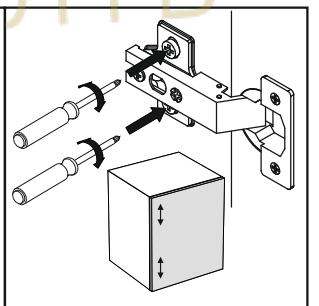
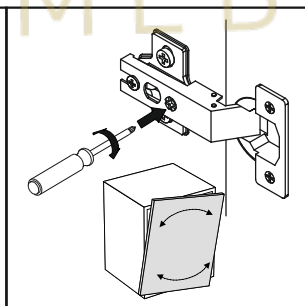
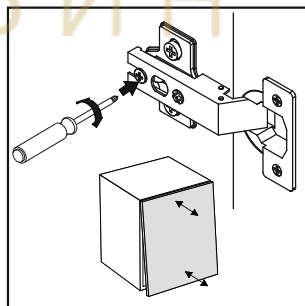
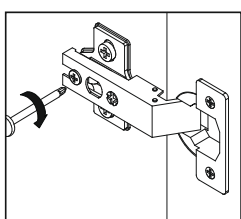
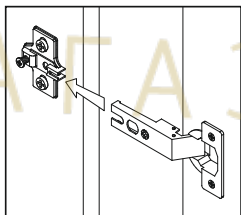
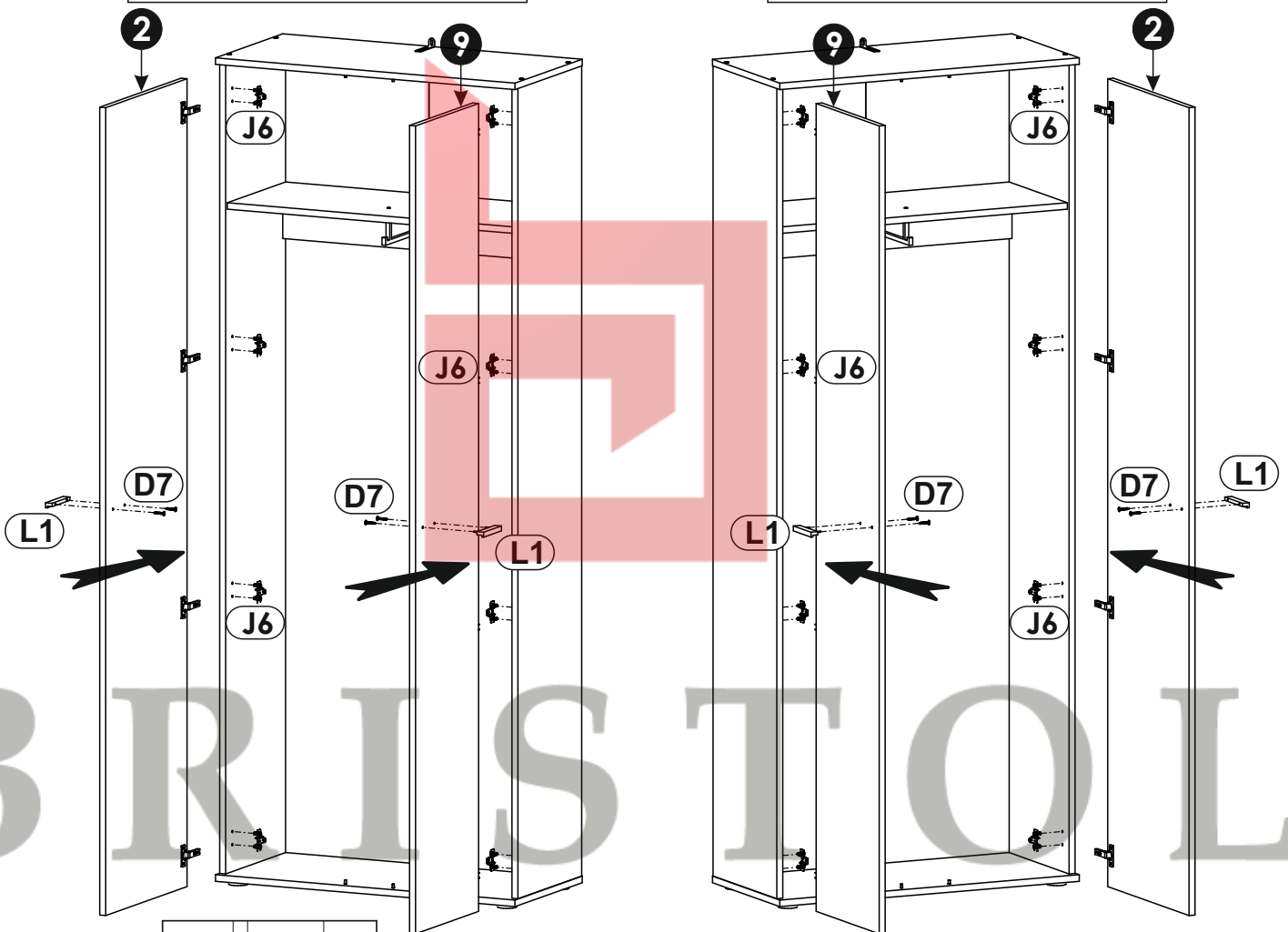
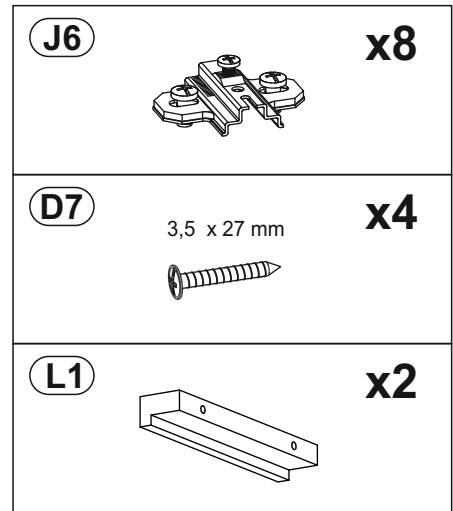
D10 4 x 16 mm 	x8	J8 	x4
--	-----------	--	-----------



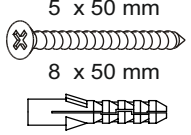


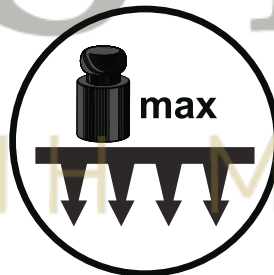
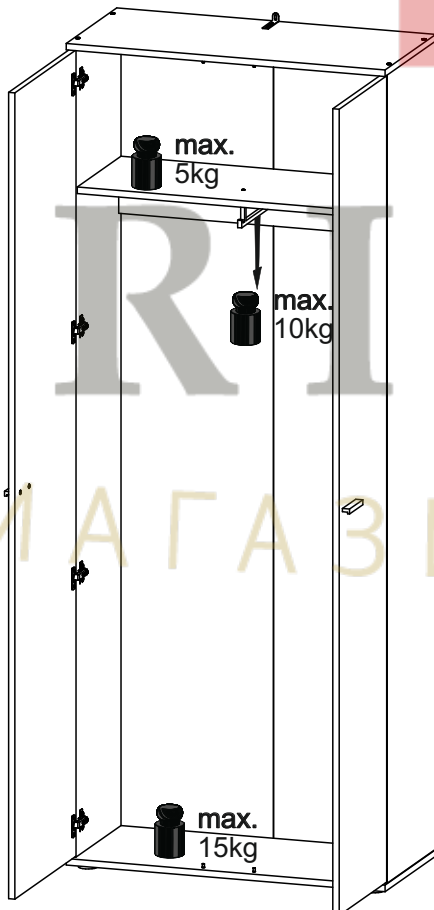
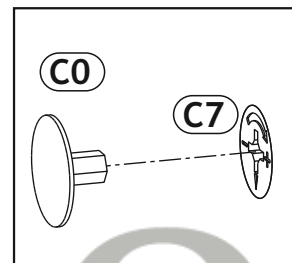
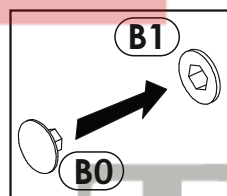
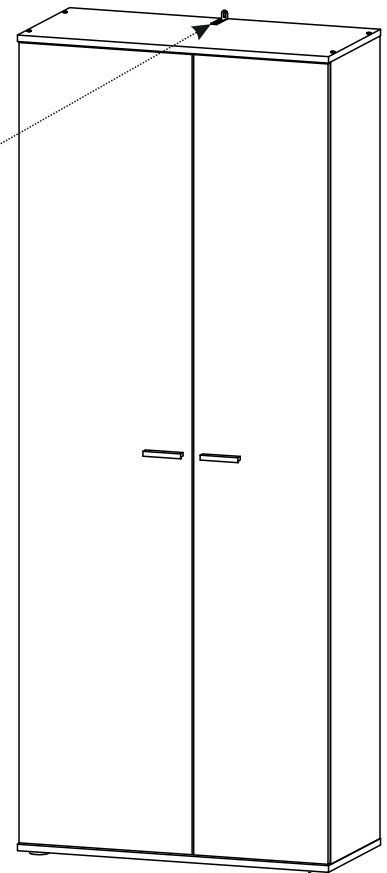
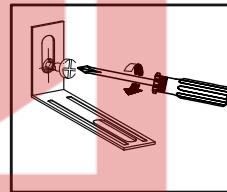
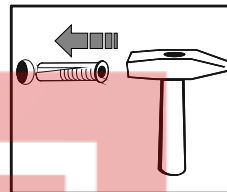
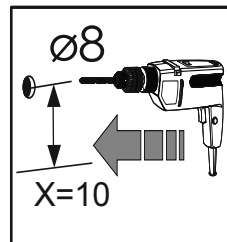
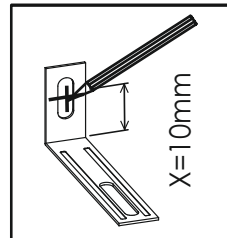
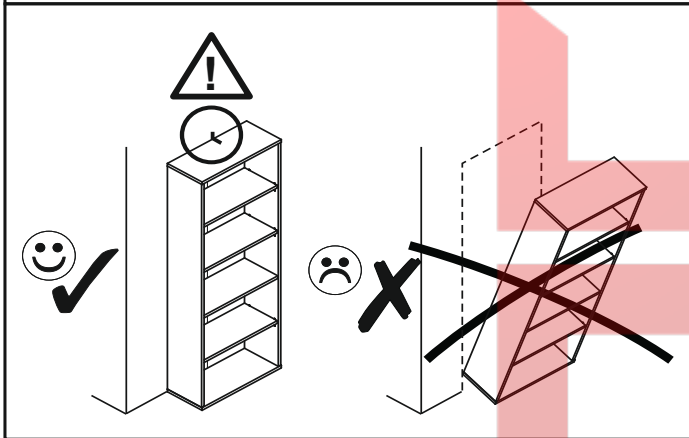
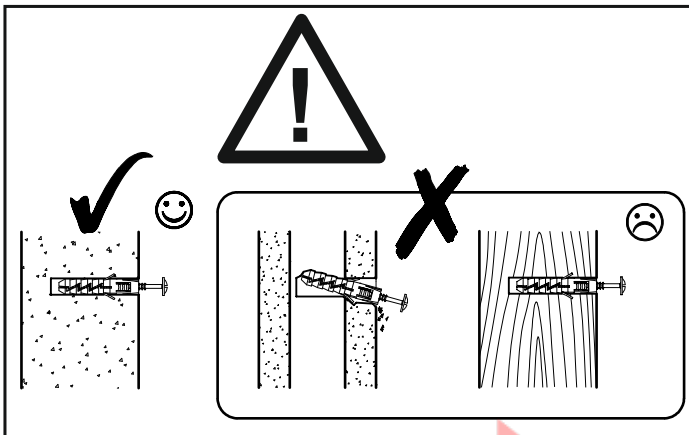
16 ▶ A



16 ▶ B



<p>B0  x4</p>	<p>C0  x4</p>	<p>E0  x1</p> <p>5 x 50 mm 8 x 50 mm</p>
--	--	---



В Р І С Т О Л

• МА ГА З И Н М Е Б Л І В •