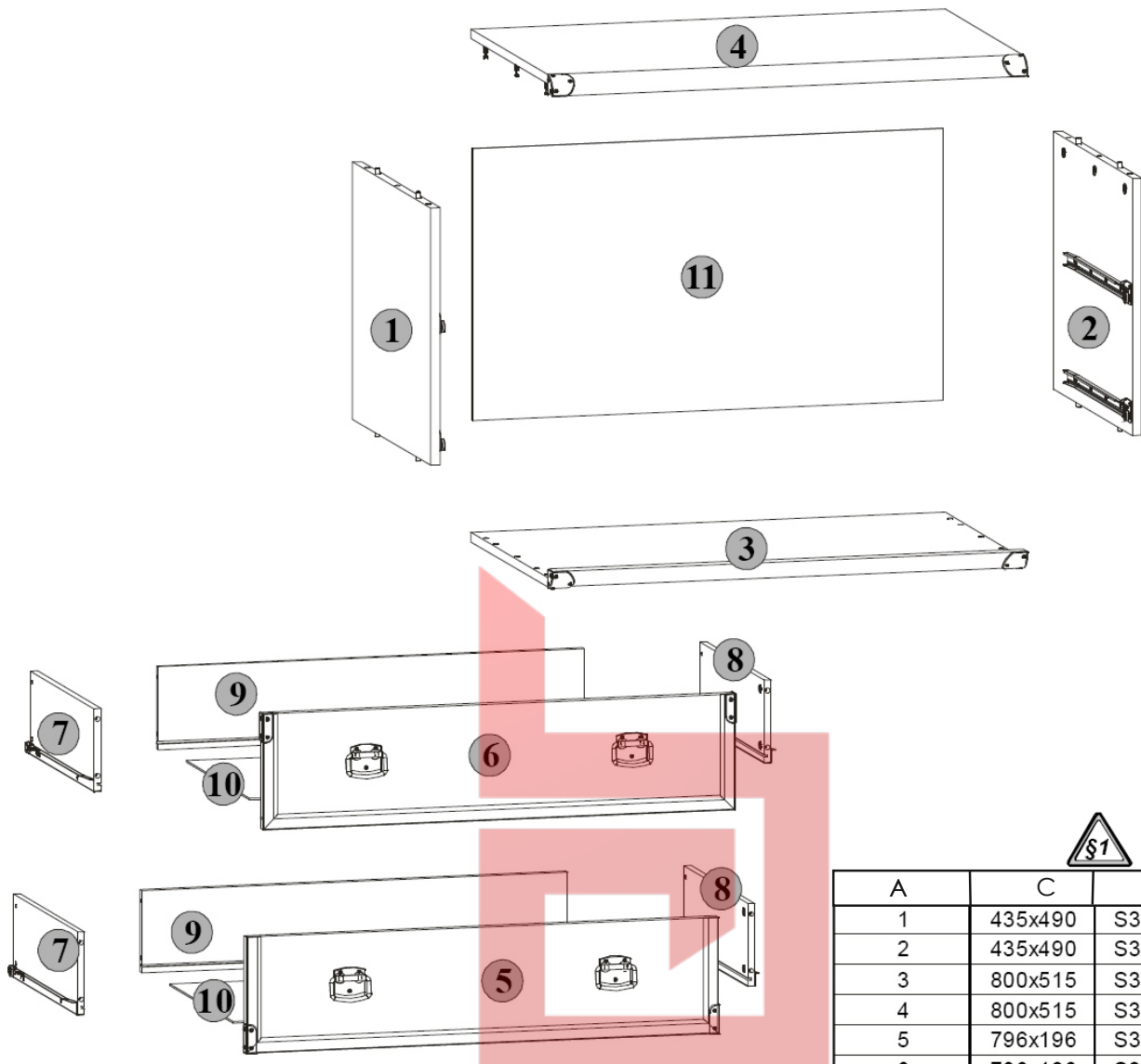
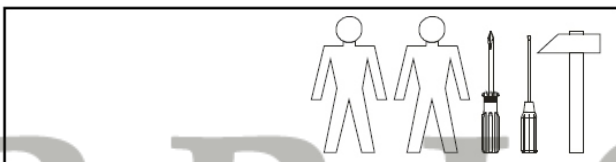


# INDIANA

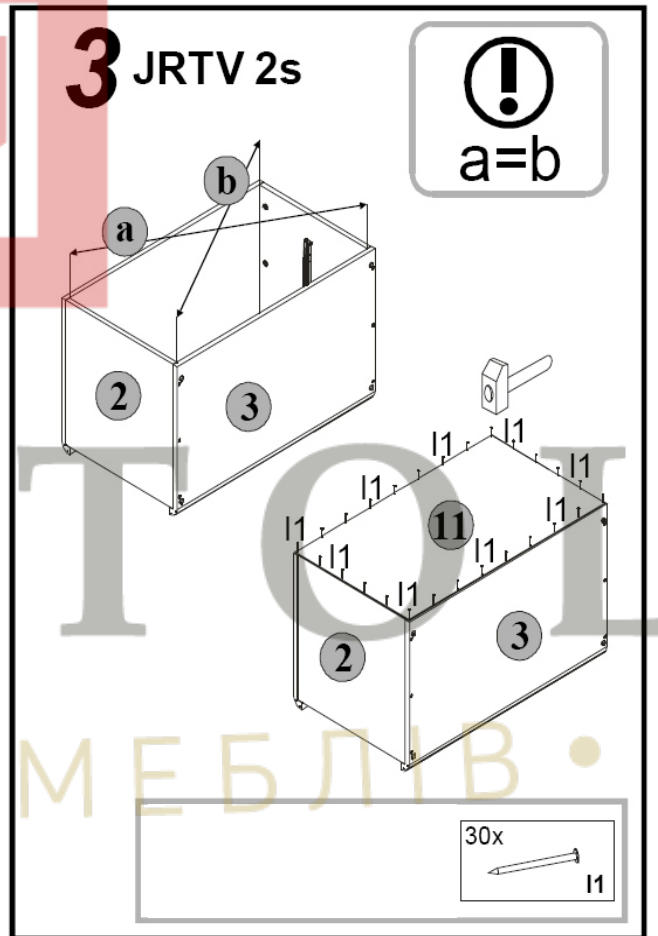
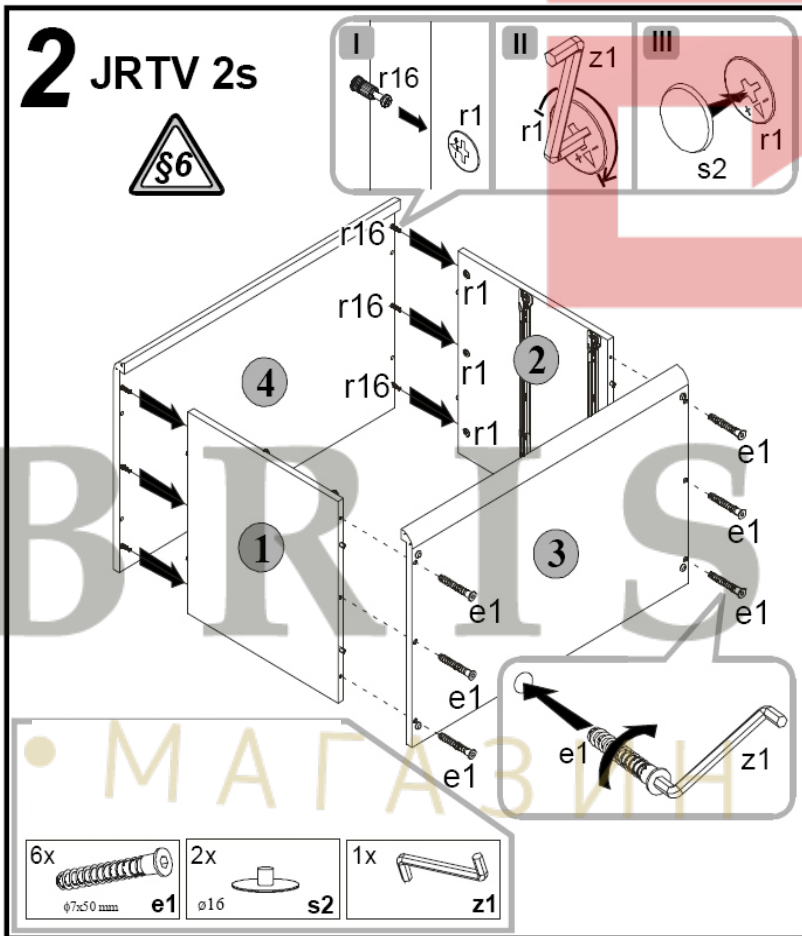
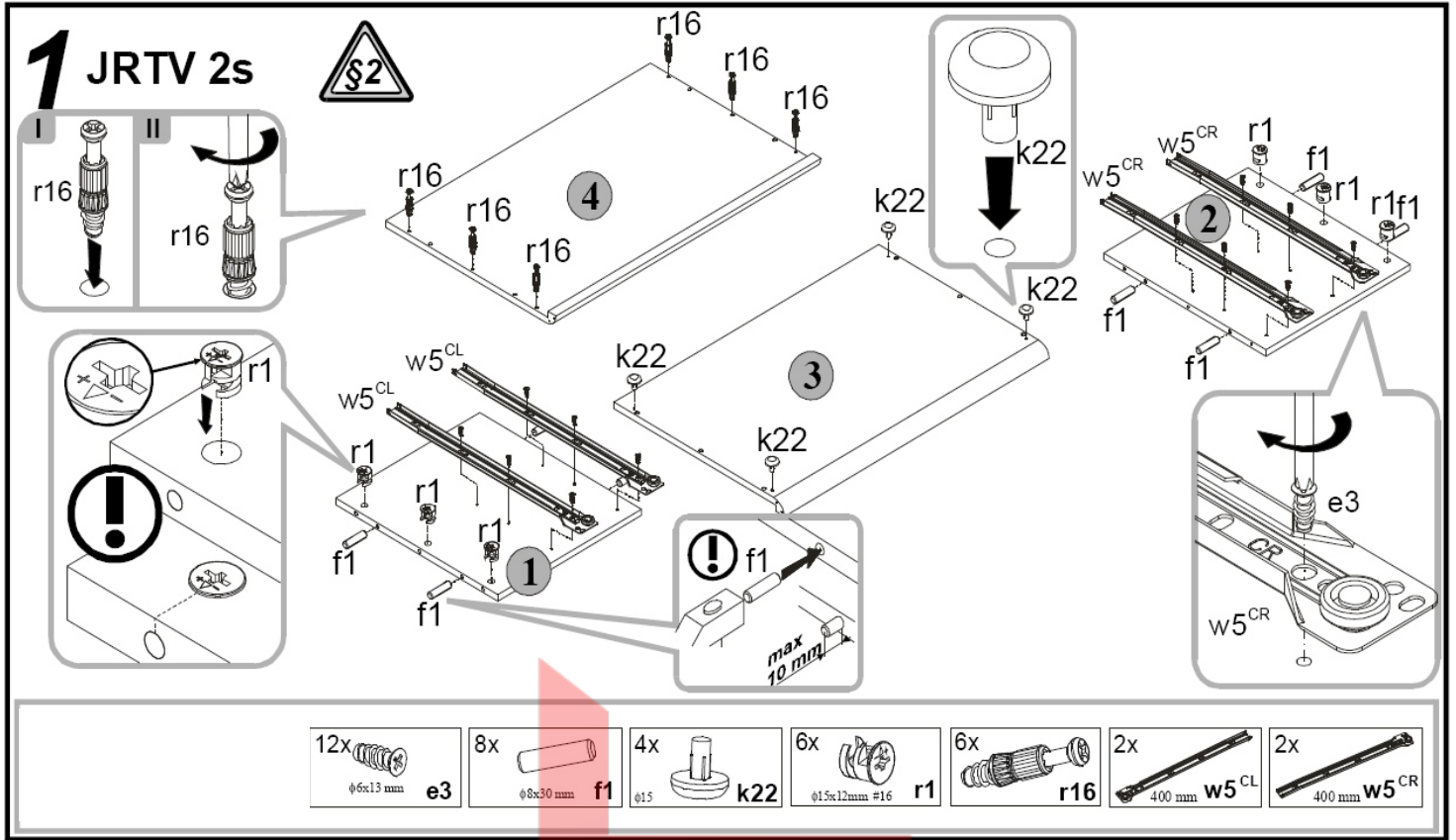
# JRTV 2s



	A	C	B	D
1		435x490	S31-105	1/3
2		435x490	S31-106	1/3
3		800x515	S31-224	2/3
4		800x515	S31-225	2/3
5		796x196	S31-002	3/3
6		796x196	S31-003	3/3
7		400x140	S31-507	1/3
8		400x140	S31-508	1/3
9		718x140	S31-503	1/3
10		729x398	S31-923	1/3
11		460x793	S31-924	1/3



4x 32 mm  c158	6x  e1 ø7x50 mm	8x  e19 ø5x9 mm	12x  e3 ø6x13 mm	8x  f1 ø8x30 mm	8x  f25 ø6.5x40 mm
8x  j30 M4x22 mm	4x  k22 ø15	30x  l1	4x  l27	2x  l28 <sup>L</sup>	2x  l28 <sup>P</sup>
4x  p25 ø3.5x16 mm	16x  p83 ø3x12 mm	6x  r1 ø15x12mm #16	8x  r15 ø12x10.5mm #12	14x  r16	2x  s2 ø16
2x  t14 383 mm	2x  w5 <sup>CL</sup> 400 mm	2x  w5 <sup>CR</sup> 400 mm	2x  w5 <sup>DL</sup> 400 mm	2x  w5 <sup>DR</sup> 400 mm	1x  z1



# 4 JRTV 2s

**I**

8x  $\phi 2 \times 10.5 \text{ mm} \#12$  r15

8x r16

**III**

4x  $\phi 32 \text{ mm}$  c158

8x  $\phi 5 \times 9 \text{ mm}$  e19

8x M4x22 mm j30

2x 400 mm w5DR

2x 400 mm w5DL

**II**

8x  $\phi 6.5 \times 40 \text{ mm}$  f25

**IV**

4x  $\phi 3.5 \times 16 \text{ mm}$  p25

2x 383 mm t14

# 5 JRTV 2s

4x I27

2x I28L

2x I28P

16x  $\phi 3 \times 12 \text{ mm}$  p83