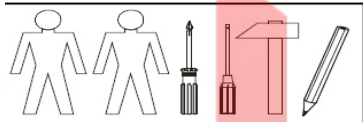
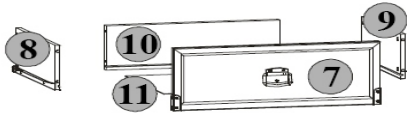
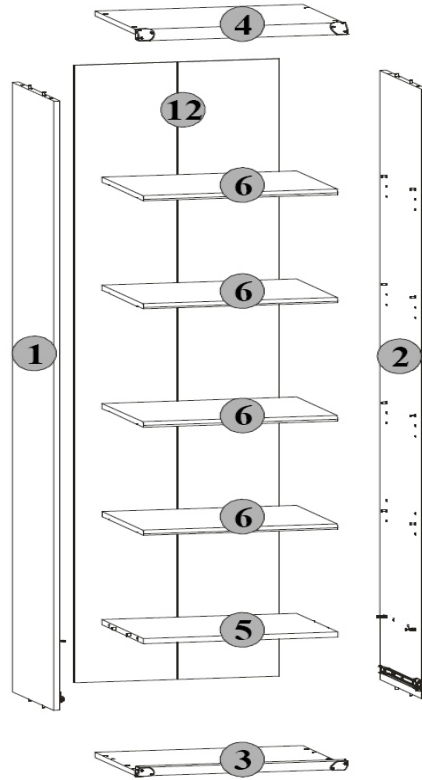


INDIANA

JREG 1so/50

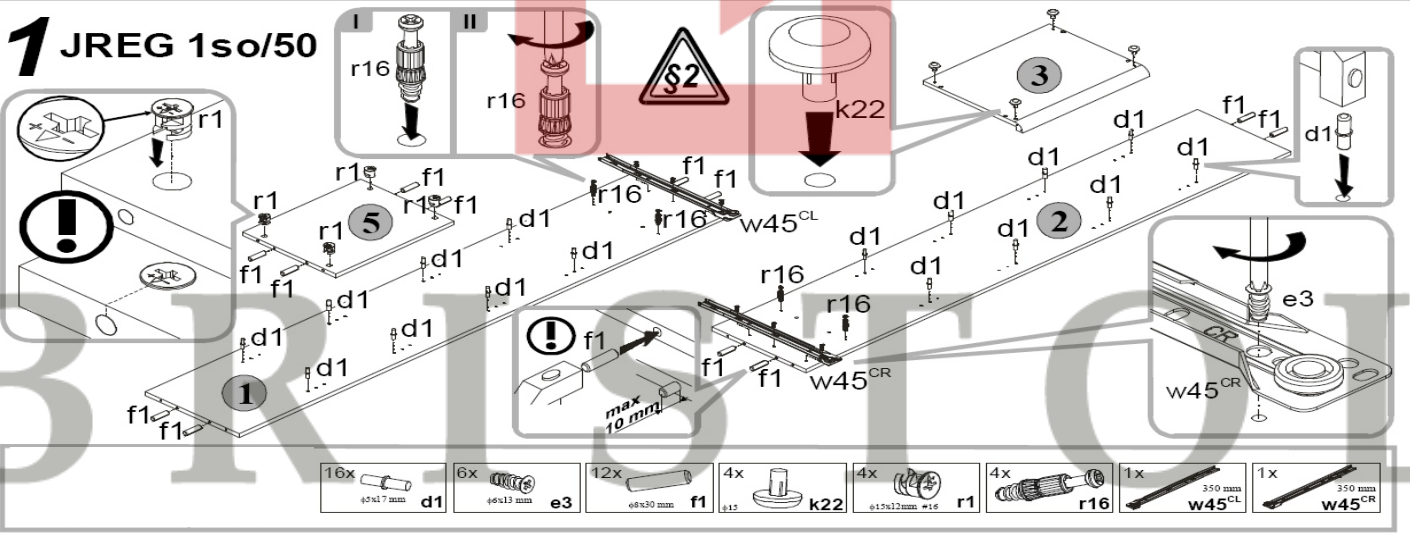


A	C	B	D
2	1916x370	S31-118	1/3
3	500x395	S31-204	2/3
4	500x395	S31-209	2/3
5	467x370	S31-303	1/3
6	467x370	S31-304	1/3
7	496x196	S31-015	3/3
8	350x140	S31-504	1/3
9	350x140	S31-505	1/3
10	418x140	S31-506	1/3
11	429x348	S31-903	1/3
12	1942x493	S31-911	1/3

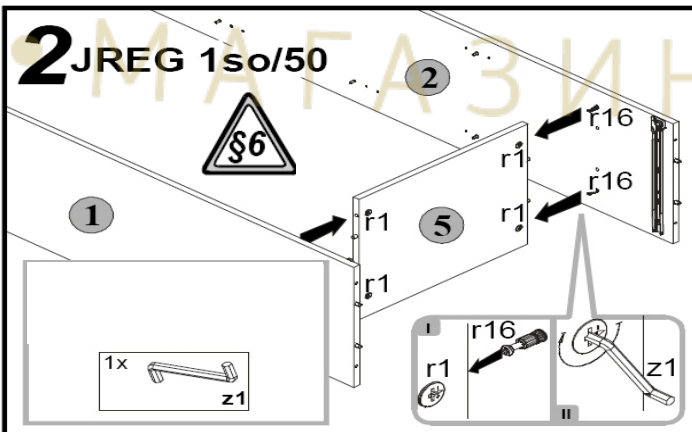


4x $\phi 5 \times 0$ mm e19	12x $\phi 6 \times 10$ mm f1	1x 12 mm c158	16x $\phi 5 \times 17$ mm d1	8x $\phi 7 \times 50$ mm e1	6x $\phi 6 \times 13$ mm e3
4x l27	1x l28	4x $\phi 5 \times 40$ mm f25	2x 34x22 mm j30	4x $\phi 15$ k22	60x l1
8x r16	1x 350 mm w45 ^{CL}	1x 350 mm w45	12x $\phi 3 \times 12$ mm p83	4x $\phi 15 \times 12$ mm r1	4x $\phi 12 \times 10.5$ mm r15
	1x 350 mm w45 ^{CR}	1x 350 mm w45 ^{DL}	1x 350 mm w45 ^{DR}	1x 350 mm w45 ^{DR}	1x z1

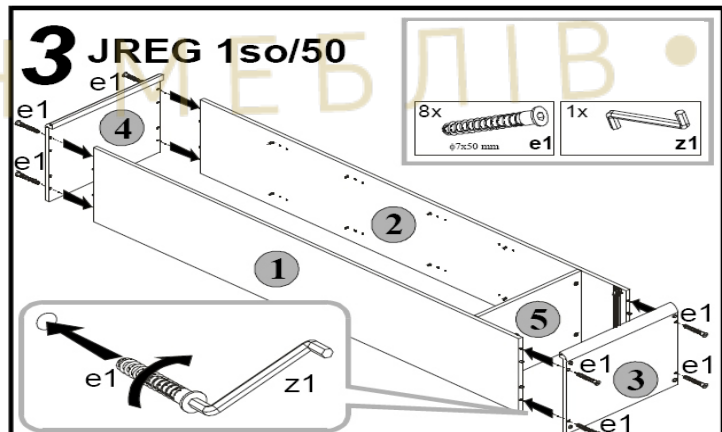
1 JREG 1so/50



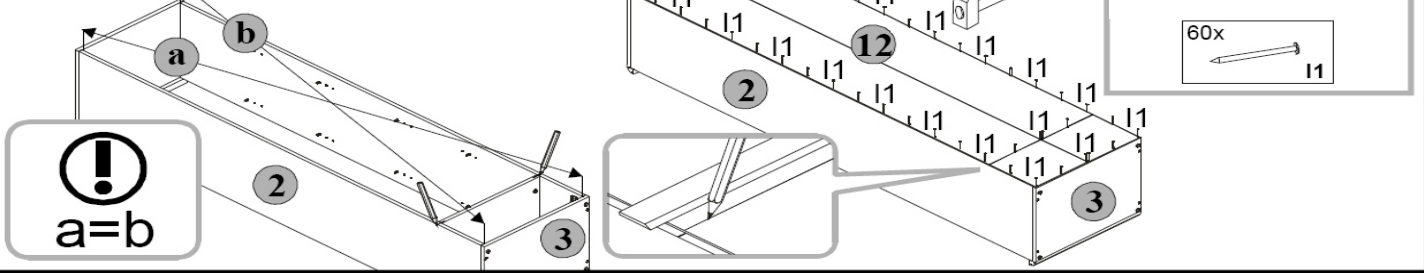
2 JREG 1so/50



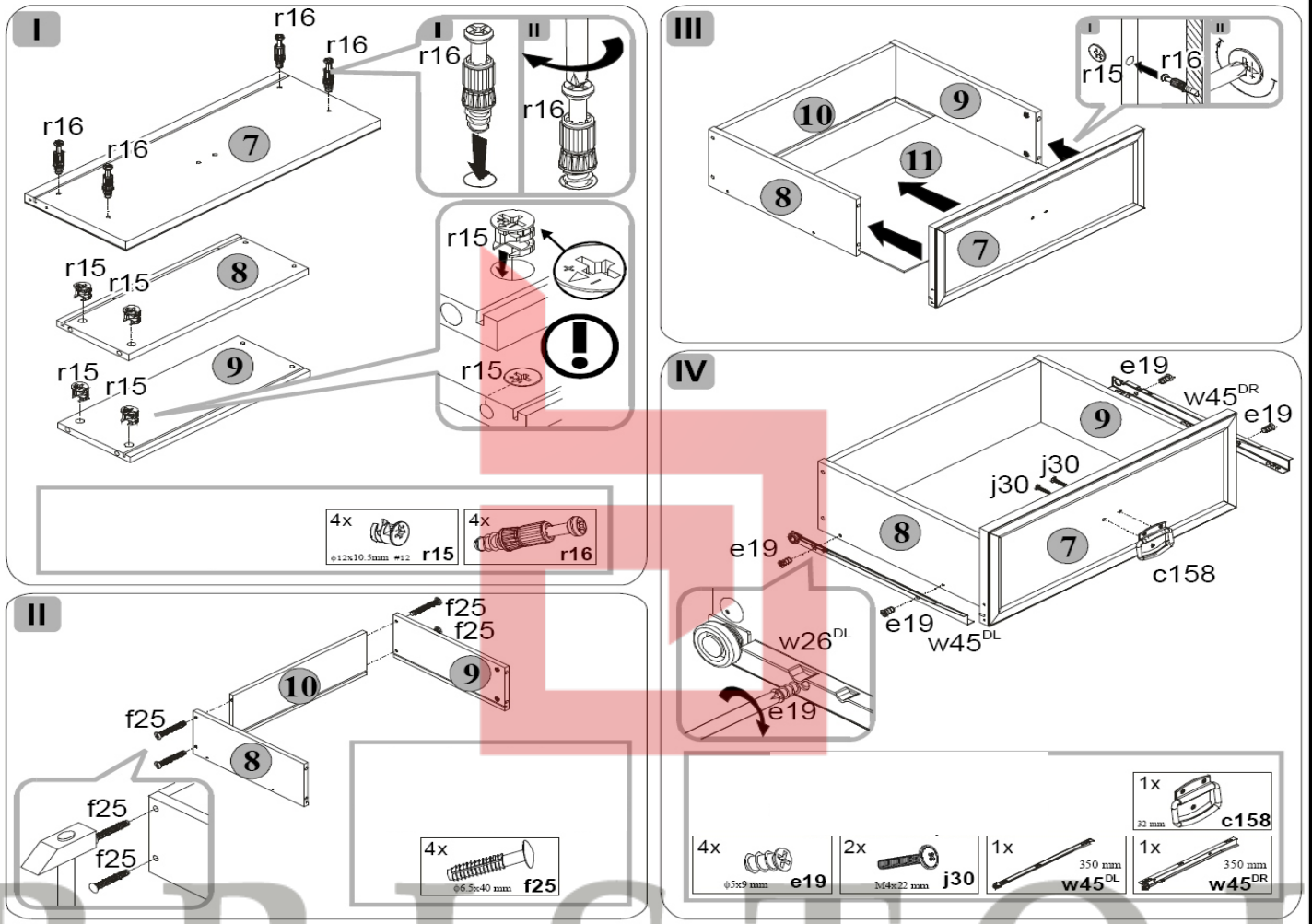
3 JREG 1so/50



4 JREG 1so/50



5 JREG 1so/50



6 JREG 1so/50

