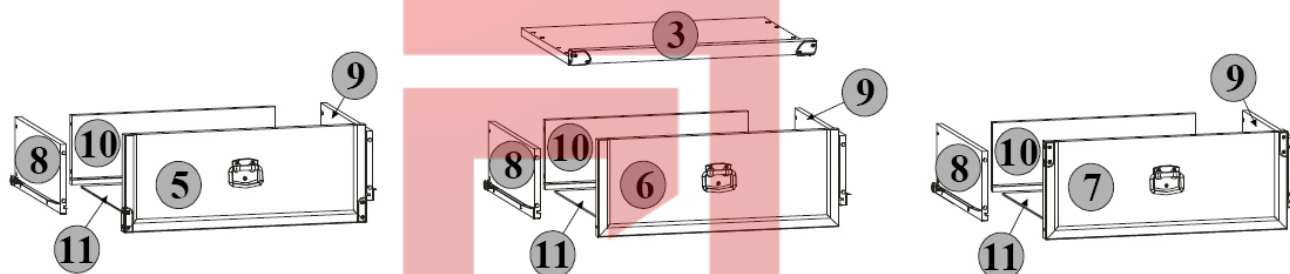
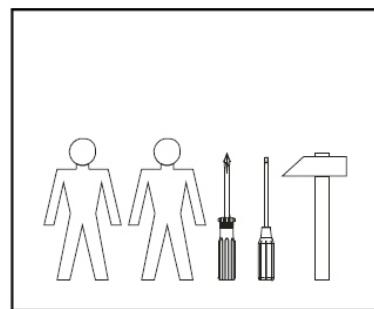
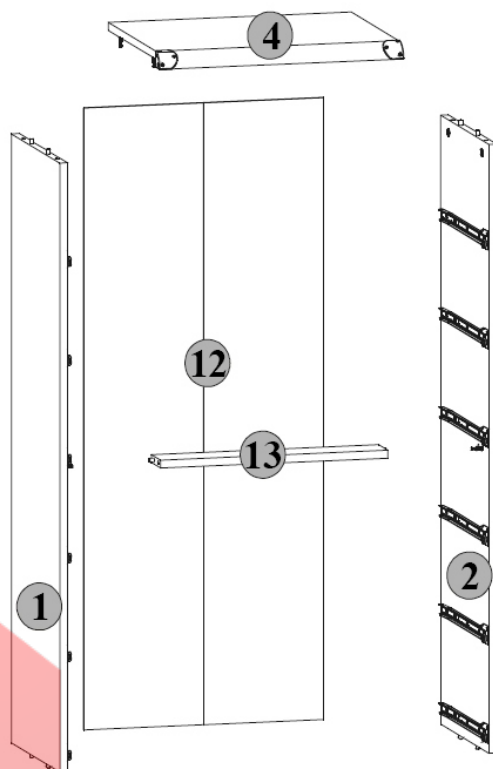


INDIANA

JKOM 6s

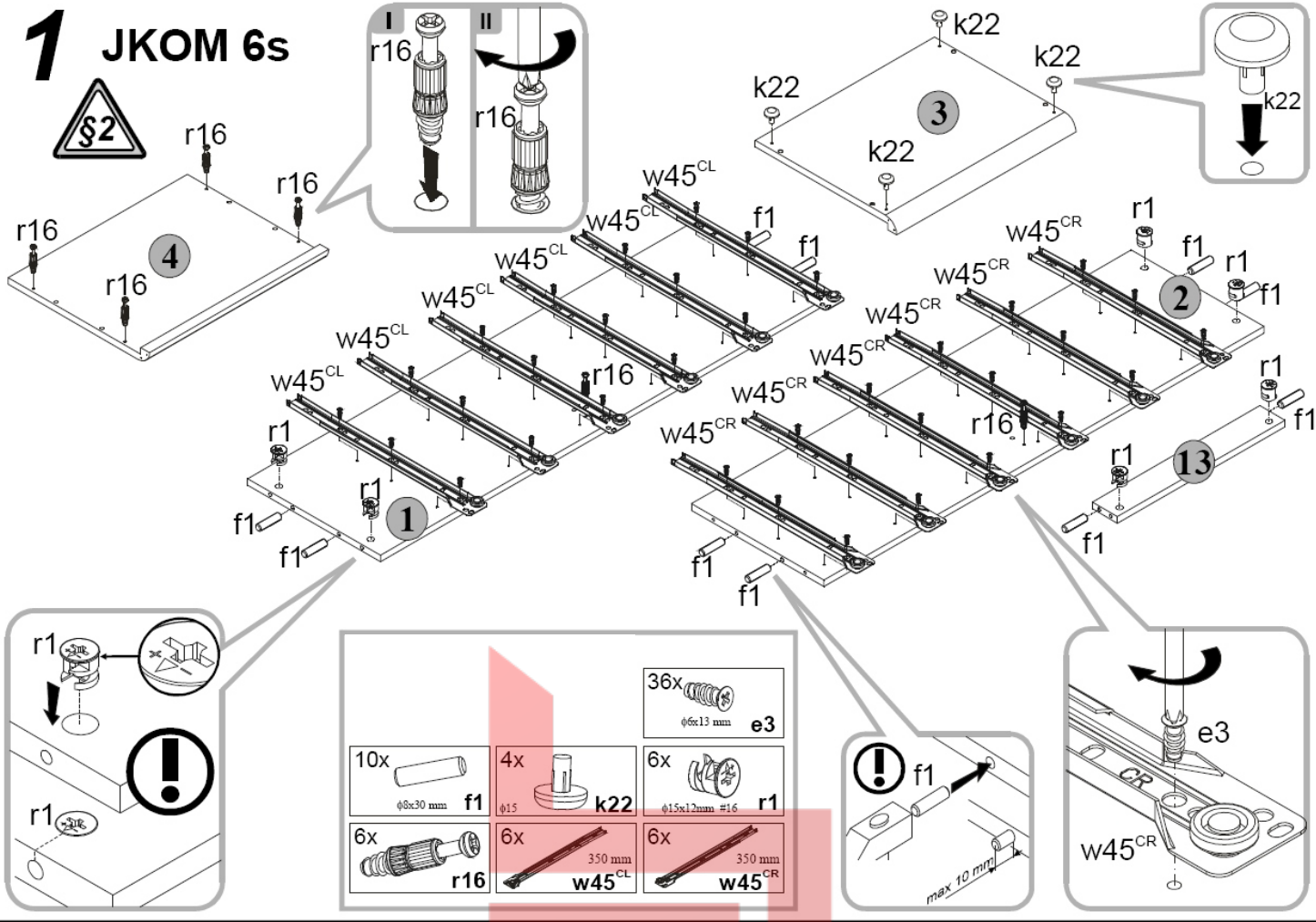


A	C	B	D
1	1228x370	S31-148/A	1/3
2	1228x370	S31-149/A	1/3
3	500x395	S31-204	2/3
4	500x395	S31-203	2/3
5	496x196	S31-011	3/3
6	496x196	S31-012	3/3
7	496x196	S31-007	3/3
8	350x140	S31-504	1/3
9	350x140	S31-505	1/3
10	418x140	S31-506	1/3
11	429x348	S31-903	1/3
12	1254x493	S31-906	1/3
13	467x70	S31-430	1/3

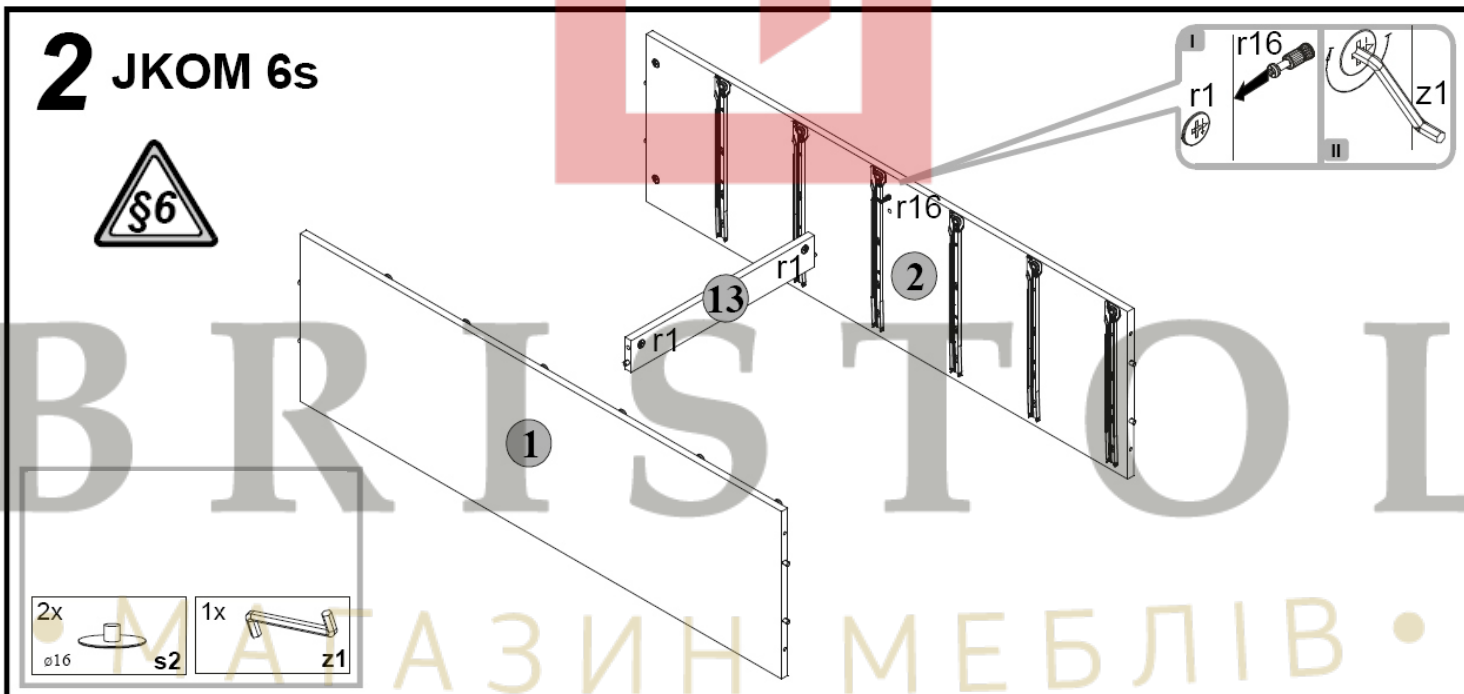


4x φ7x50 mm e1	36x φ6x13 mm e3	24x φ5x9 mm e19	10x φ8x30 mm f1	24x φ6.5x40 mm f25	12x M4x22 mm j30	6x 32 mm c158
40x l1	4x l27	2x l28 ^L	2x l28 ^P	16x φ3x12 mm p83	6x φ15x12mm #16 r1	4x φ15 k22
30x r16	2x φ16 s2	6x 350 mm w45 ^{CL}	6x 350 mm w45 ^{CR}	6x 350 mm w45 ^{DL}	6x 350 mm w45 ^{DR}	24x φ12x10.5mm #12 r15
						1x z1

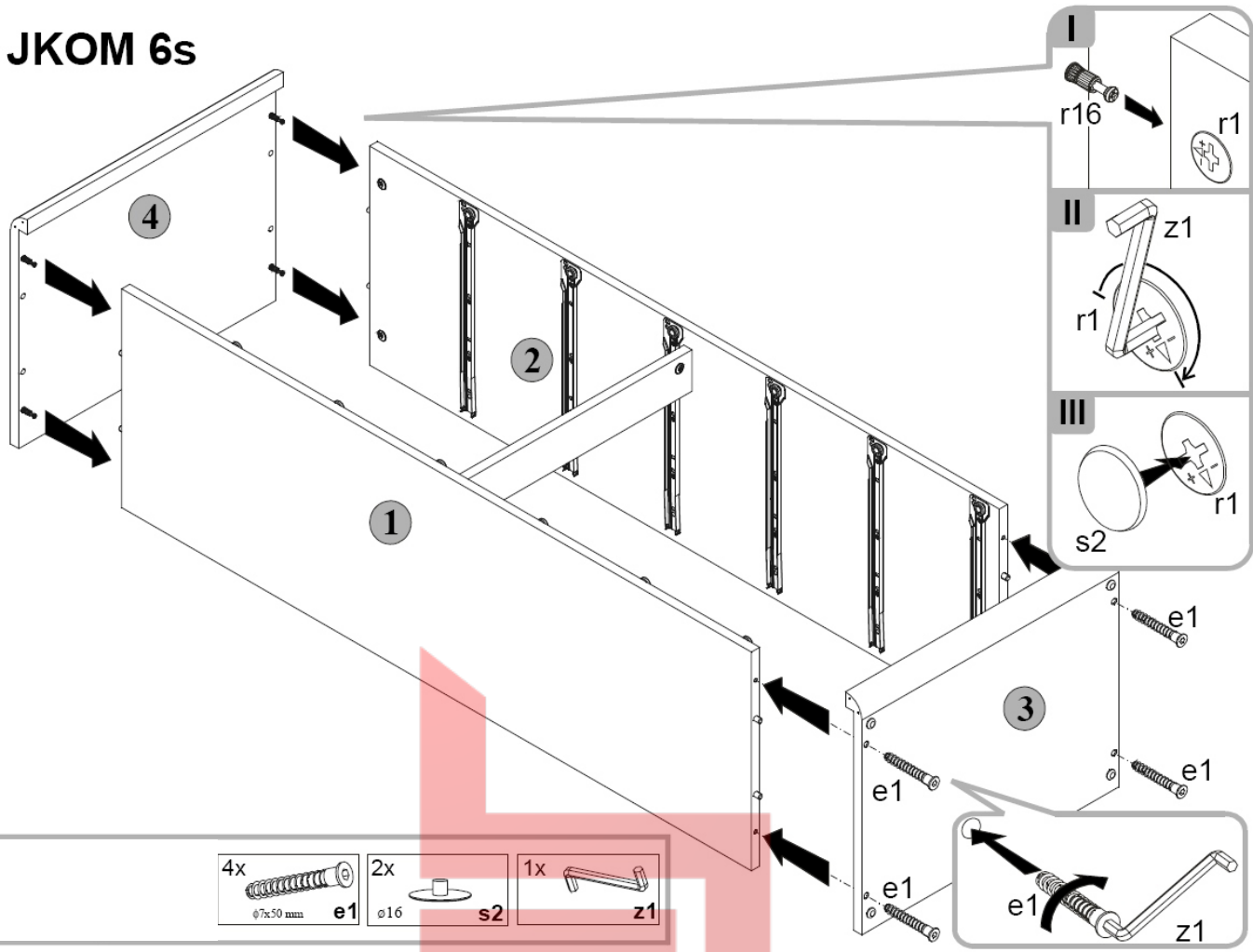
1 JKOM 6s



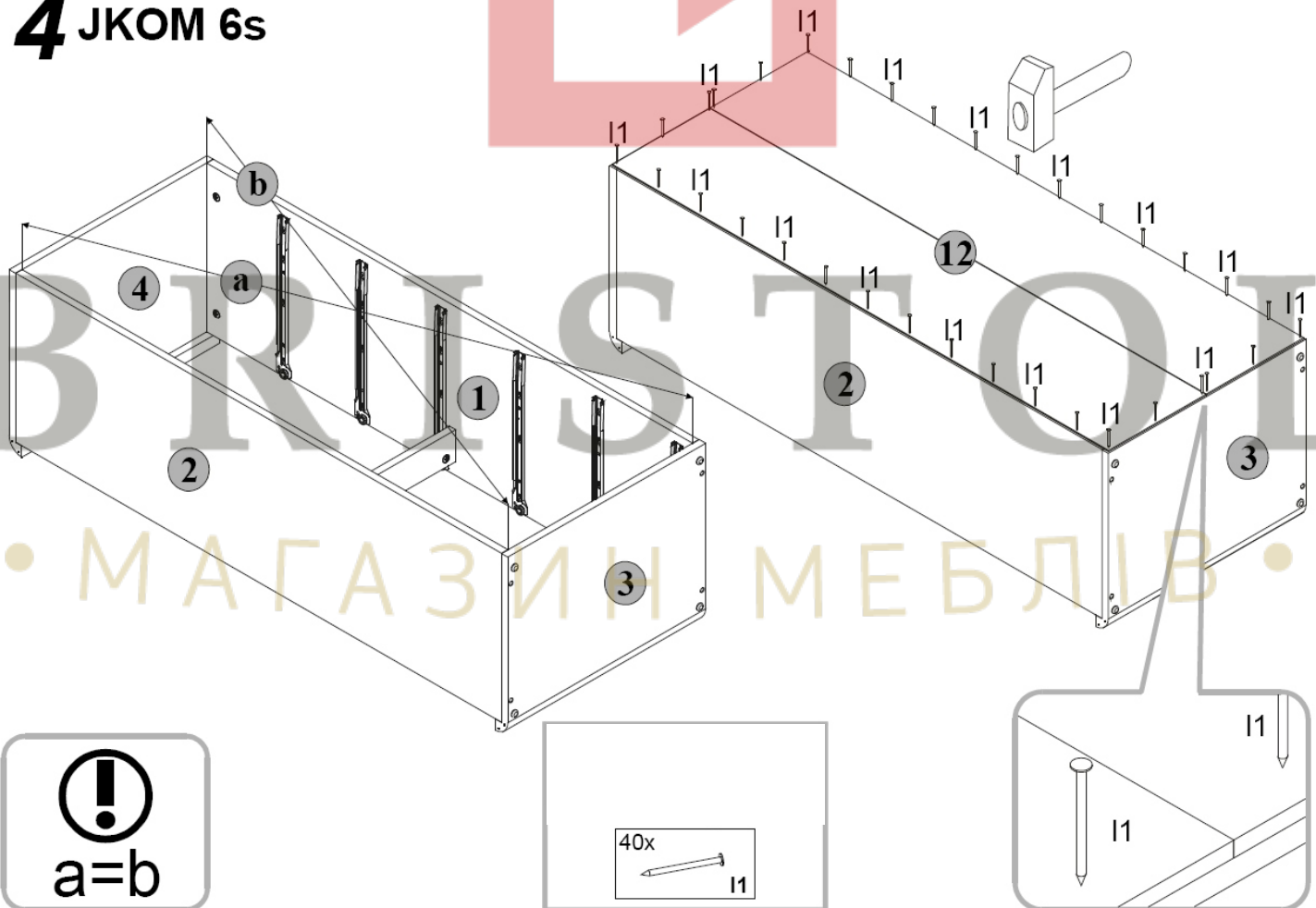
2 JKOM 6s



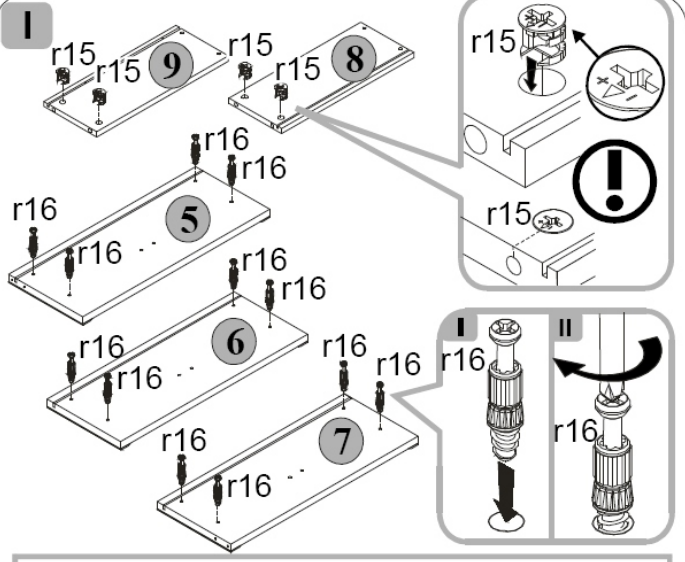
3 JKOM 6s



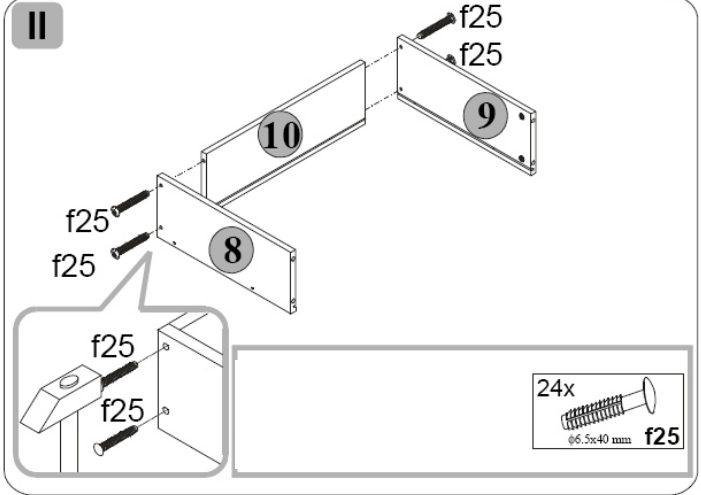
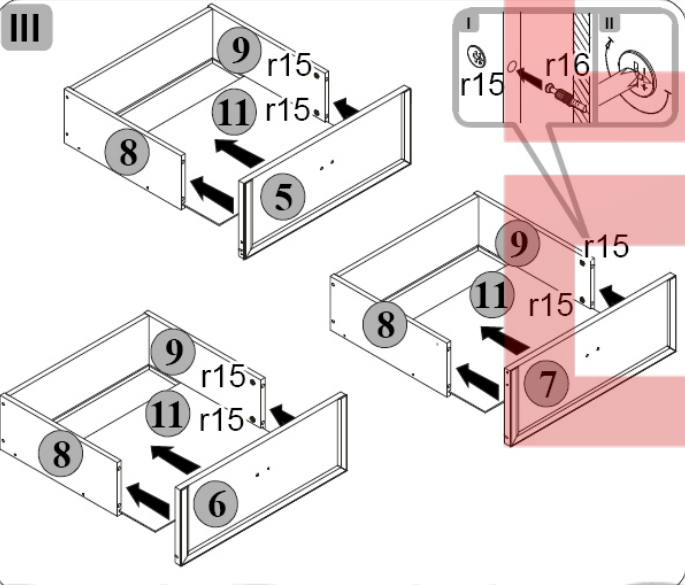
4 JKOM 6s



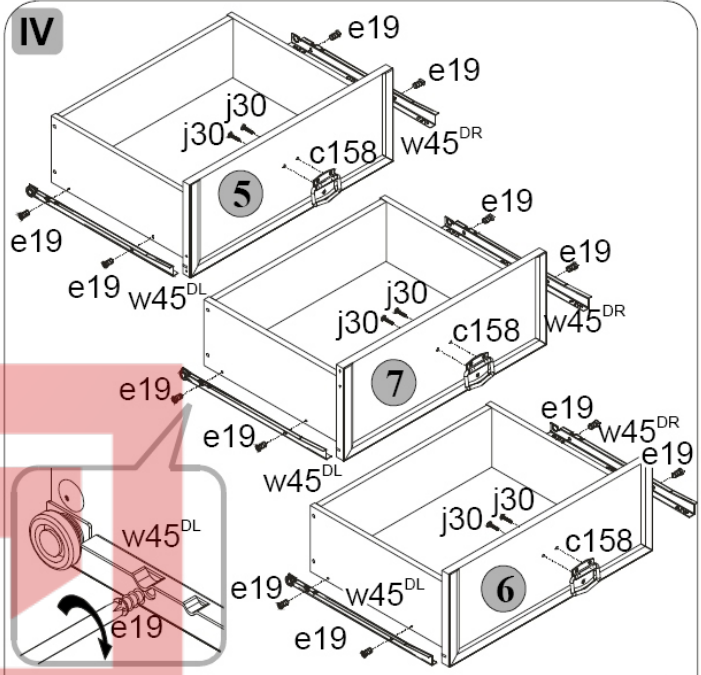
5 JKOM 6s



- 24x $\phi 12 \times 10.5 \text{ mm}$ #12 r15
- 24x r16

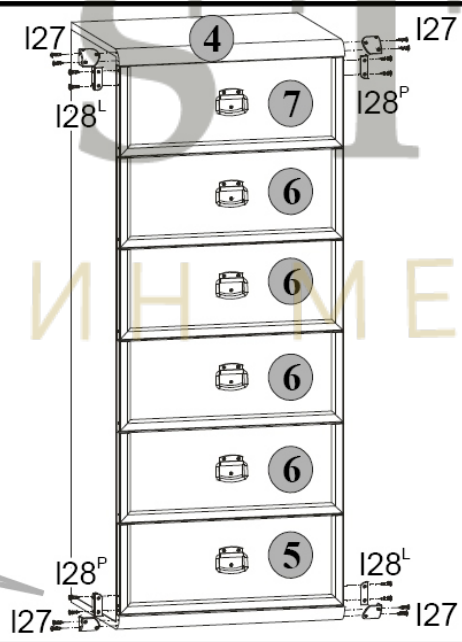
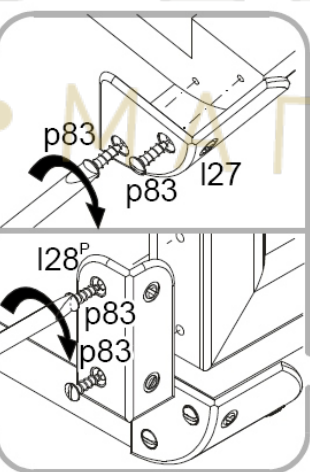


- 24x $\phi 6.5 \times 40 \text{ mm}$ f25



- 24x $\phi 5 \times 9 \text{ mm}$ e19
- 12x $M4 \times 22 \text{ mm}$ j30
- 6x 350 mm w45DL
- 6x 350 mm w45DR
- 6x 52 mm c158

6 JKOM 6s



- 4x 127
- 2x 128L
- 2x 128P
- 16x $\phi 3 \times 12 \text{ mm}$ p83