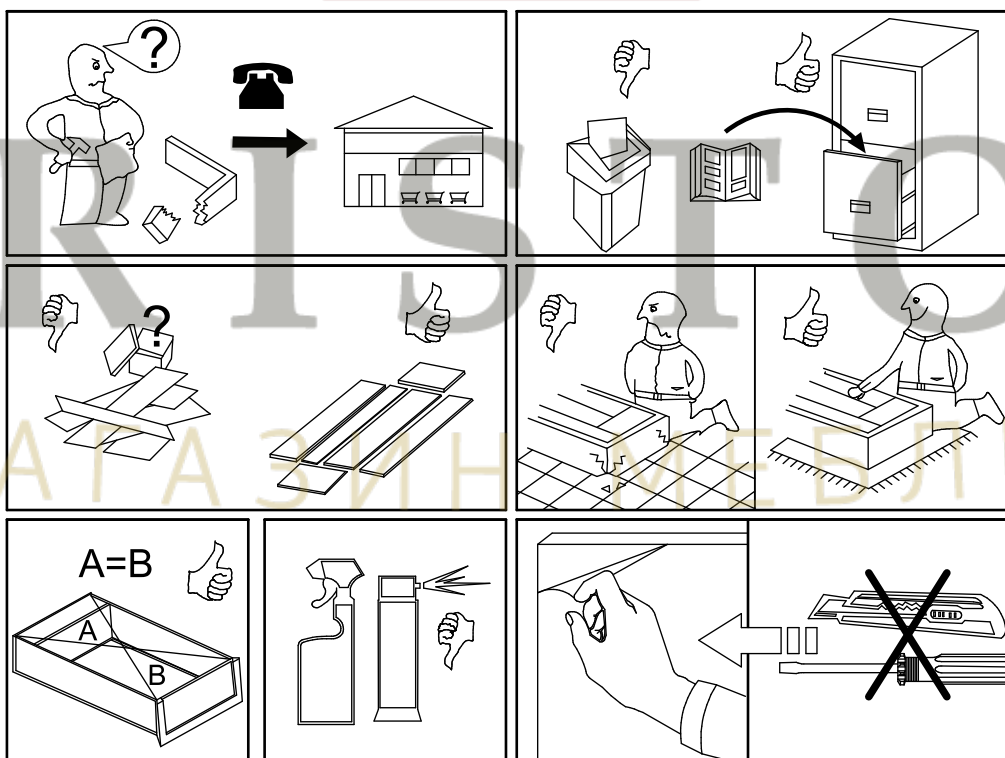
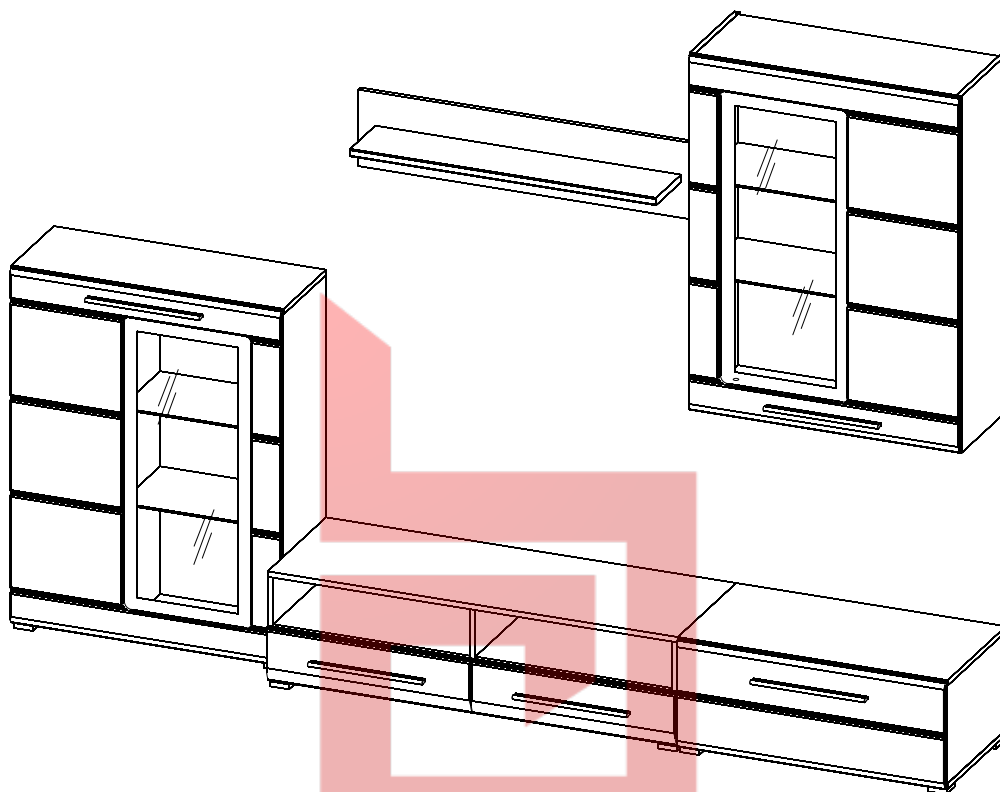
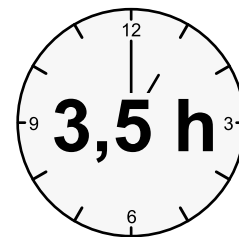
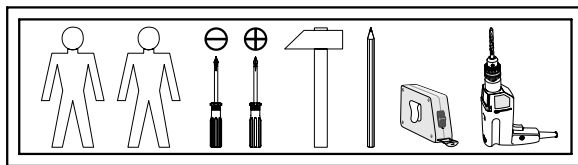
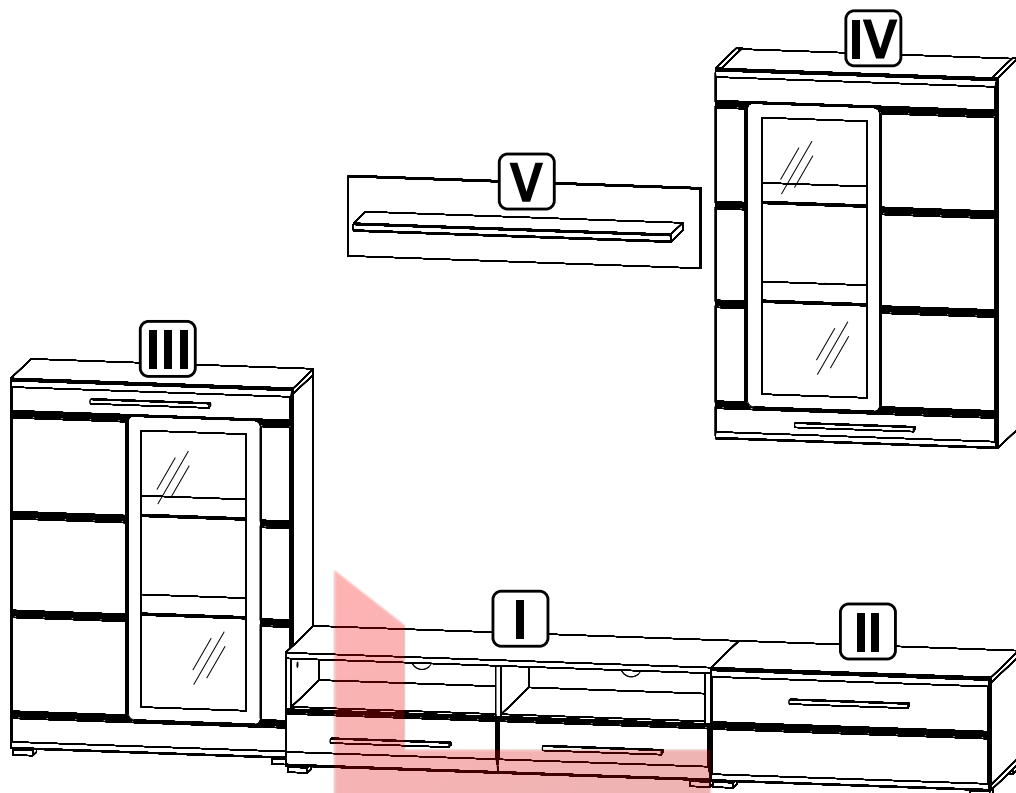
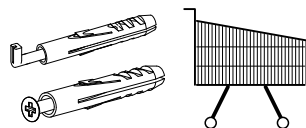


ABPOPA

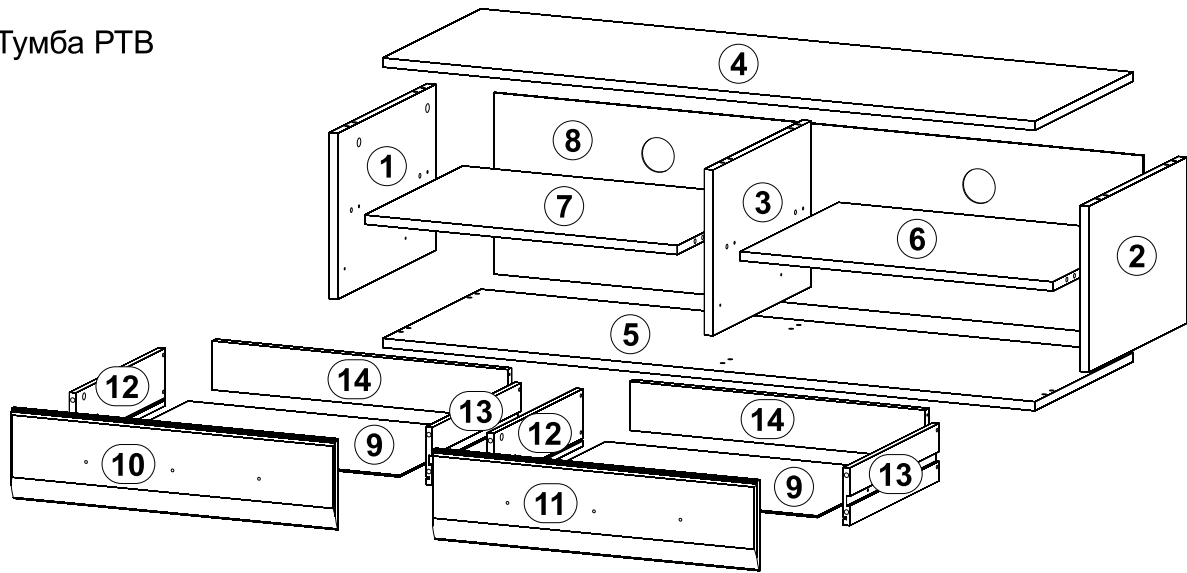




2x K16 a1	6x K0 a2	8x b1	5x L 340 mm c520	16x $\phi 5 \times 17$ mm d3	20x $\phi 7 \times 50$ mm e1
8x $\phi 6 \times 13$ mm e3	4x $\phi 5 \times 11$ mm e4	8x $\phi 5 \times 50$ mm e32	56x $\phi 8 \times 35$ mm f29	2x g2	4x M4x9 mm j2
14x 56x56/20 mm k52	115x l1	10x l2	16x 3 mm l3	1x m48	2x n2
2x 50x12/1,5 mm n3	2x n10	1x 81x21x15/1,5 mm n14	12x 20x13x3,5/1 mm n108	2x n122/1	4x silikon $\phi 8 \times 1,8$ mm o21
4x o43/1	1x o43/6	4x $\phi 3,5 \times 13$ mm p1	6x $\phi 3,5 \times 13$ mm p5	15x $\phi 4 \times 30$ mm p9	
32x $\phi 4 \times 30$ mm p21	12x $\phi 2,9 \times 16$ mm p55	16x $\phi 3 \times 16$ mm p52	4x $\phi 3 \times 10$ mm p400	52x $\phi 15 \times 12$ mm #16 r1	4x $\phi 12 \times 10,5$ mm #12 r15
56x 30/11 r23	44x $\phi 16$ s2	2x $\phi 5$ s4	4x 310 mm w4	1x GLUE y1	1x z1



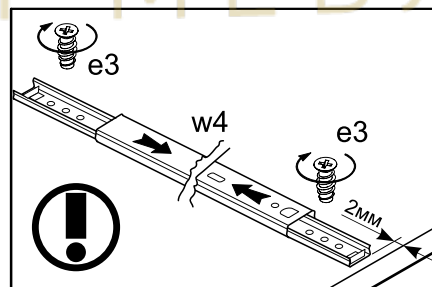
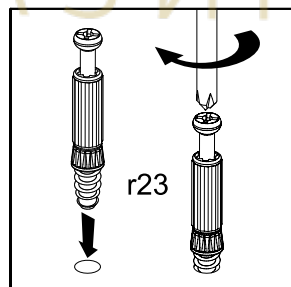
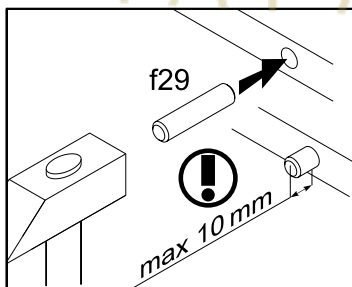
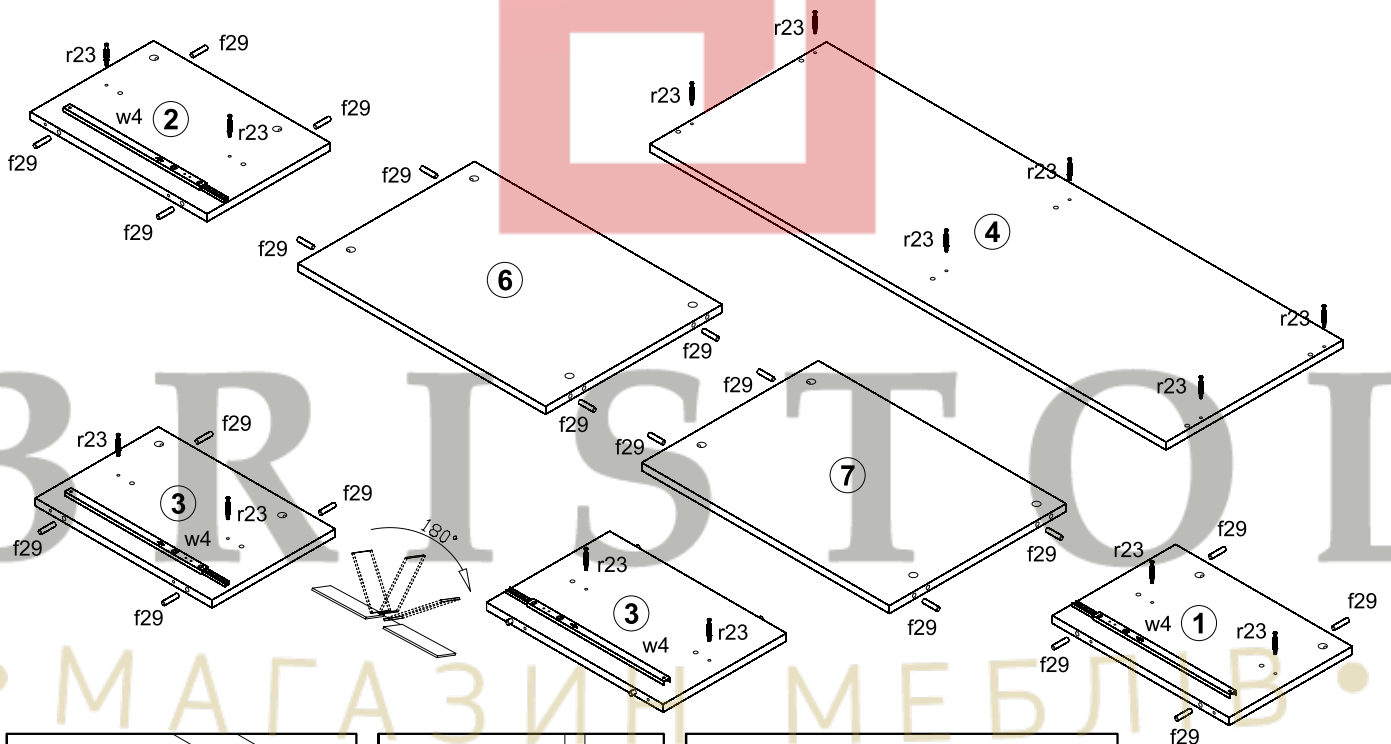
I Тумба РТВ



A	B	C	D	A	B	C	D		
1	PU1-104	288	413	1/4	8	PU1-911	1202	315	1/4
2	PU1-103	288	413	1/4	9	PU1-904	558	378	1/4
3	PU1-122	288	413	1/4	10	PU1-021A	600	158	4/4
4	PU1-207	1207	413	1/4	11	PU1-022A	600	158	4/4
5	PU1-208	1207	413	1/4	12	PU1-551	375	100	4/4
6	PU1-307	579	413	1/4	13	PU1-552	375	100	4/4
7	PU1-308	579	413	1/4	14	PU1-558	547	85	2/4



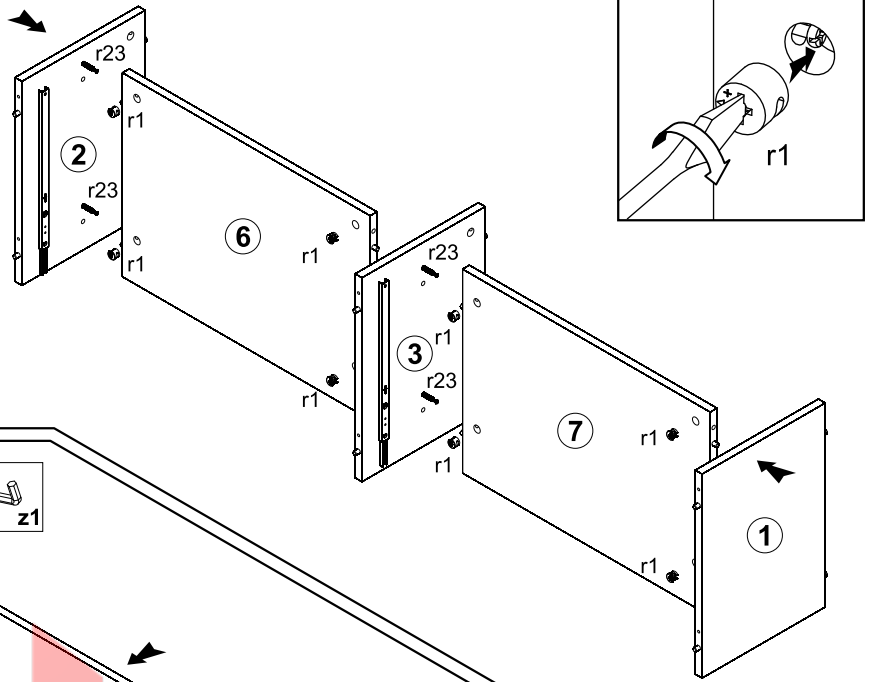
1



2



8x $\phi 15 \times 12 \text{mm}$ #16 r1

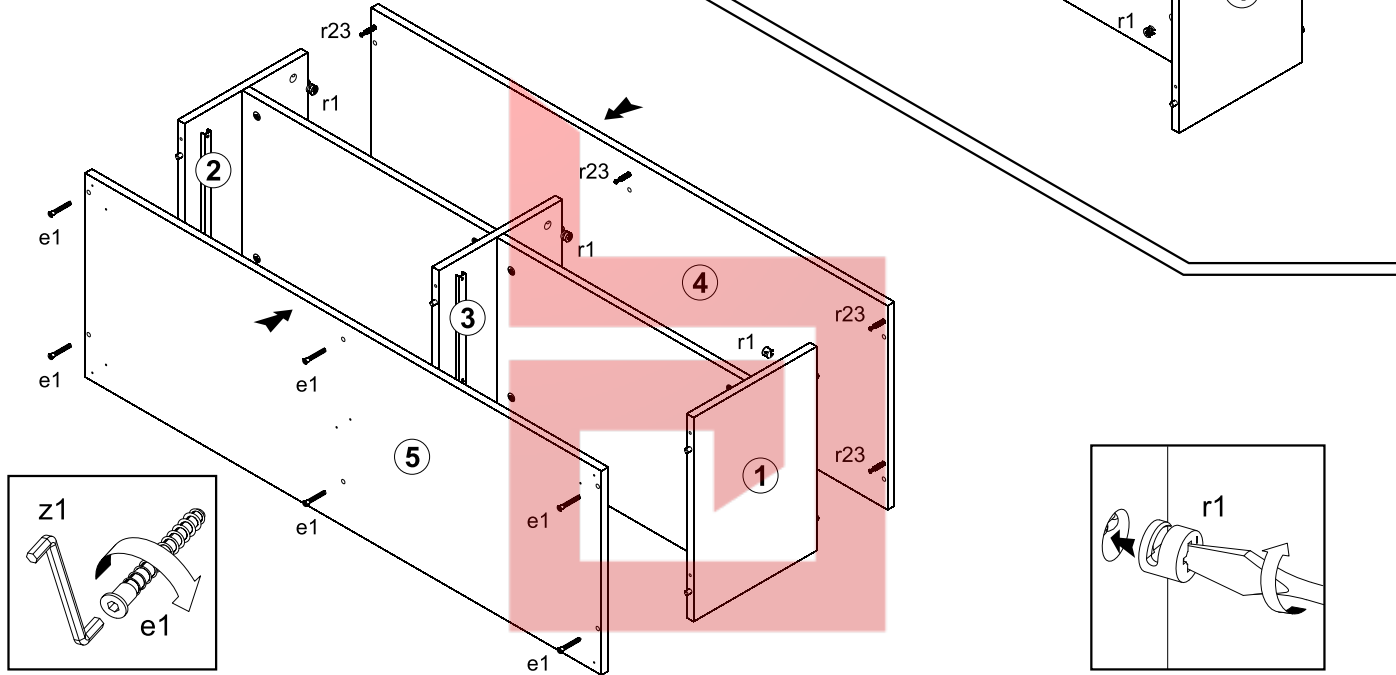


3

6x $\phi 7 \times 50 \text{mm}$ e1

6x $\phi 15 \times 12 \text{mm}$ #16 r1

1x z1

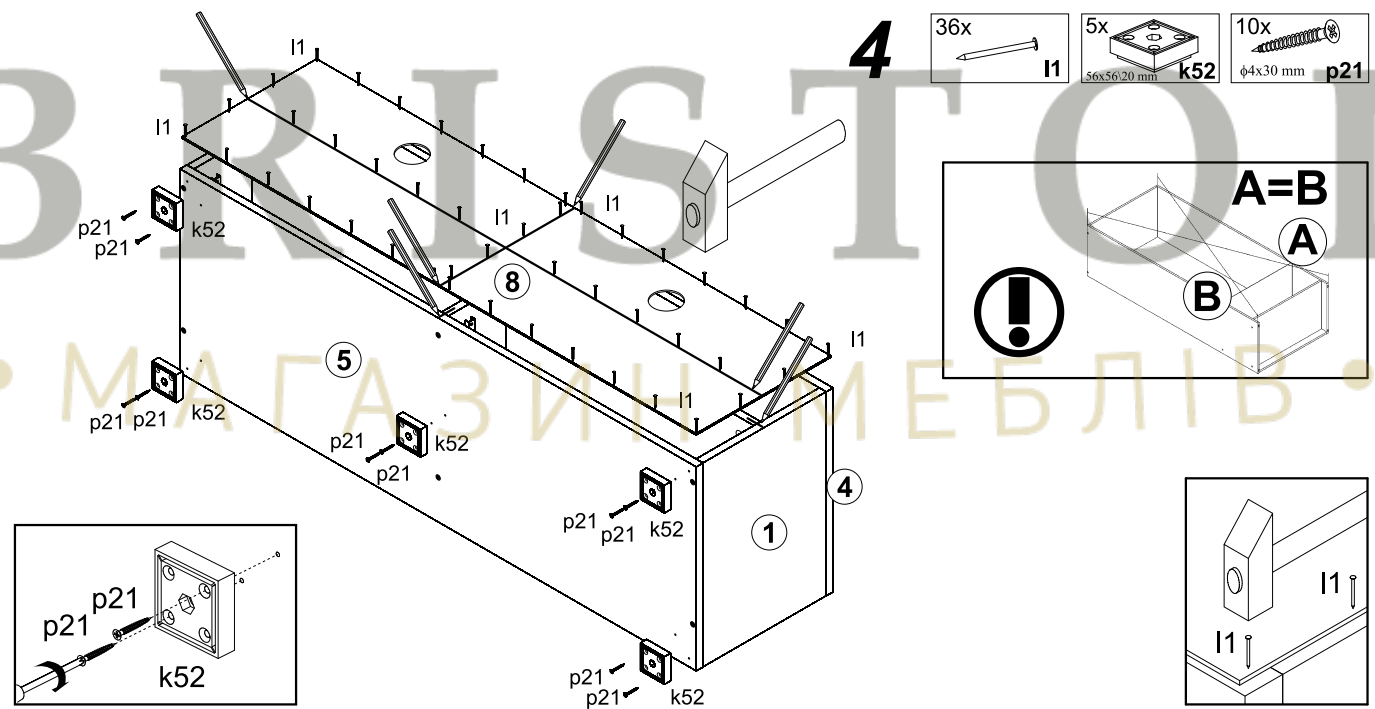


4

36x l1

5x k52 $56 \times 56 \times 20 \text{mm}$

10x $\phi 4 \times 30 \text{mm}$ p21



5

8x $\phi 5 \times 50$ mm e32

4x $\phi 8 \times 35$ mm f29

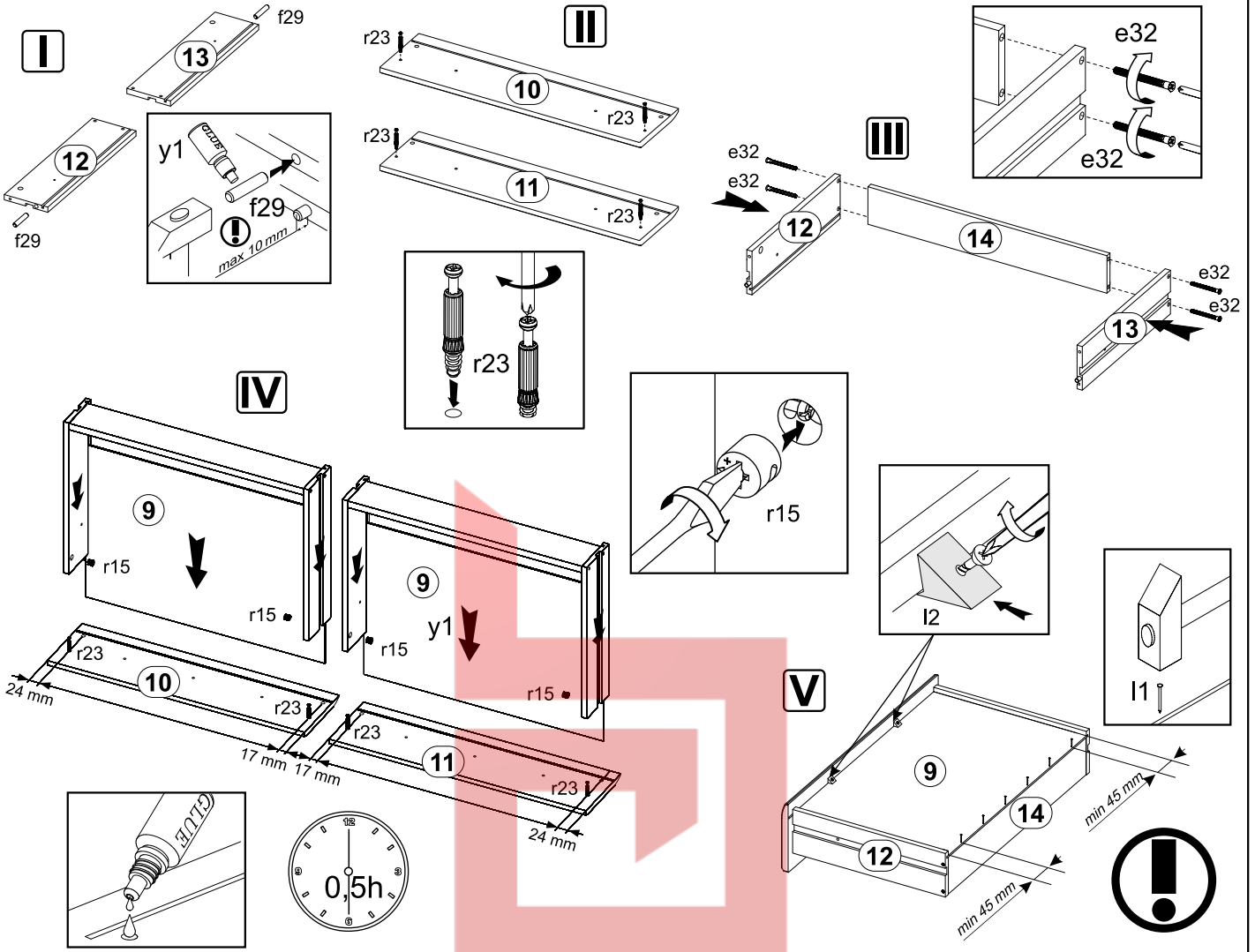
12x I1

4x I2

4x $\phi 12 \times 10,5$ mm #12 r15

4x 30/11 r23

1x GLUB y1



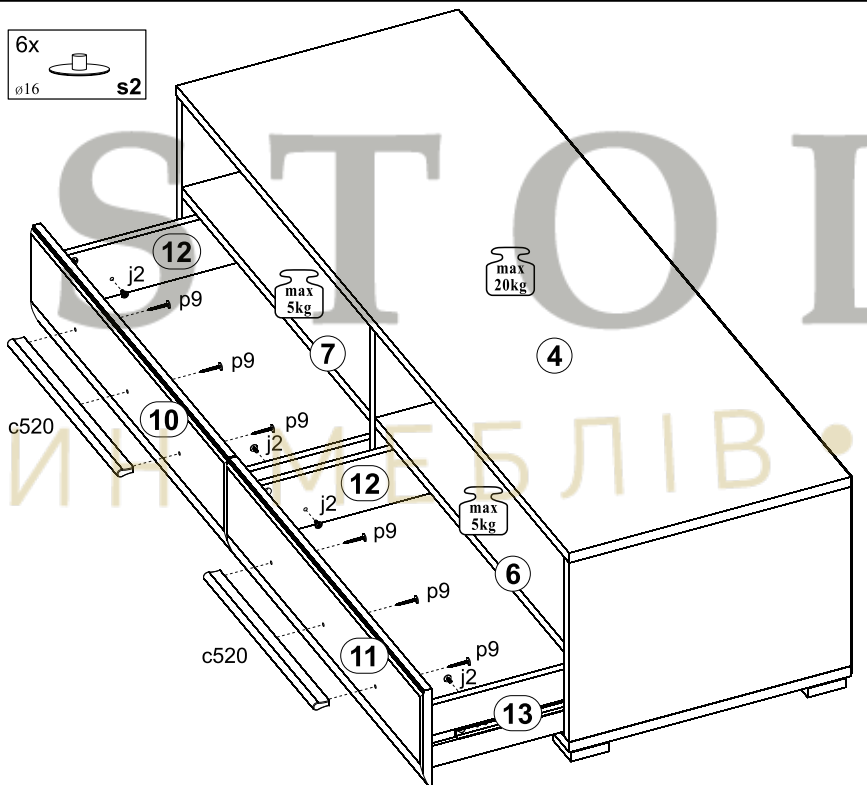
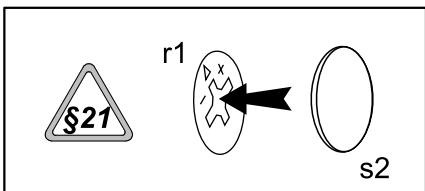
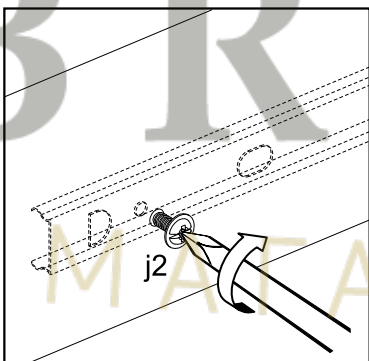
6

2x L 340 mm c520

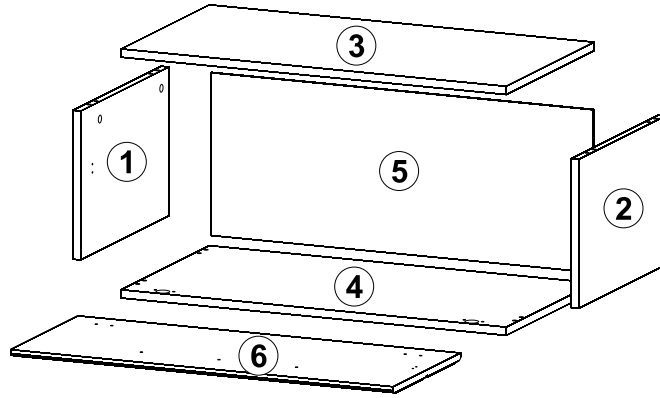
4x M4x9 mm j2

6x $\phi 4 \times 30$ mm p9

6x $\phi 16$ s2



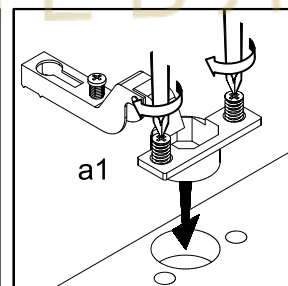
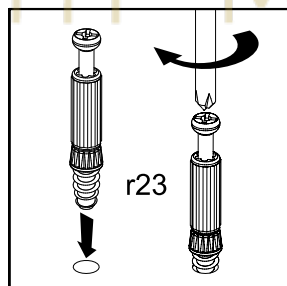
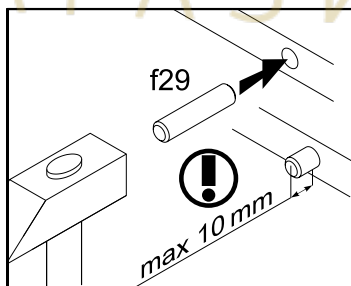
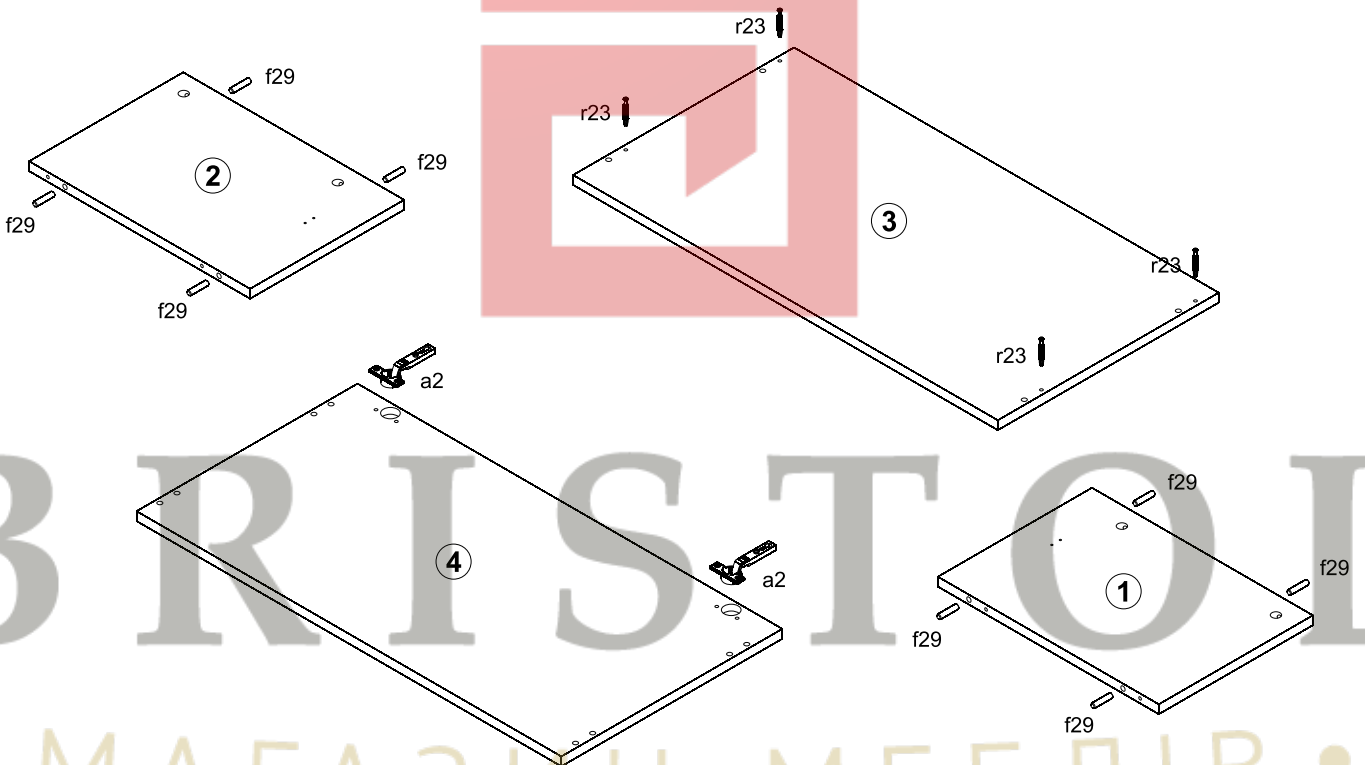
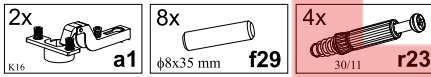
II Тумба 1D



A	B	C	D	
1	PU1-101	288	413	1/4
2	PU1-106	288	413	1/4
3	PU1-209	796	413	1/4
4	PU1-210	796	413	1/4
5	PU1-916	790	315	1/4
6	PU1-020A	792	316	4/4

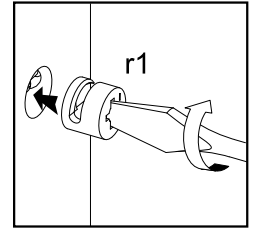
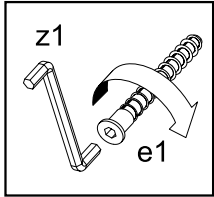
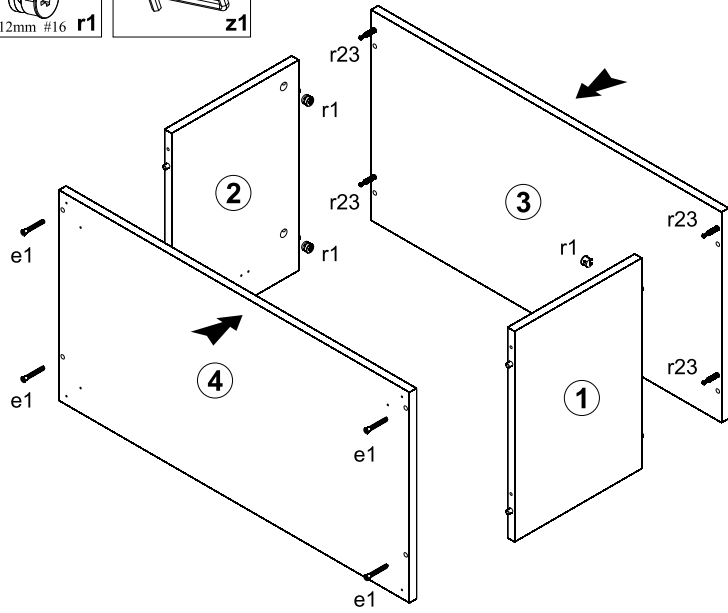


7



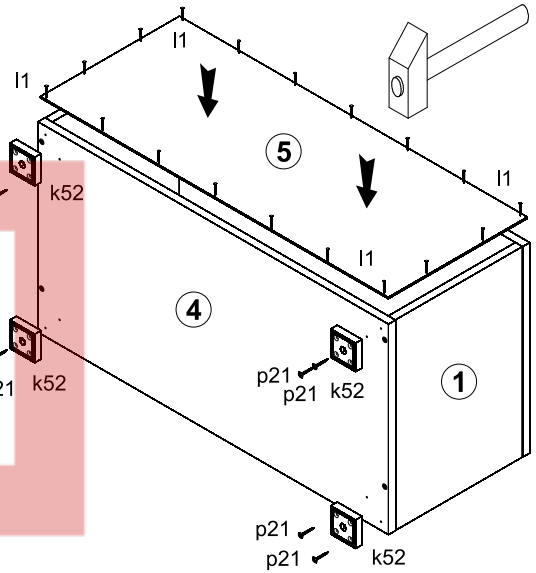
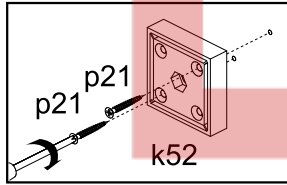
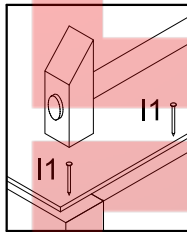
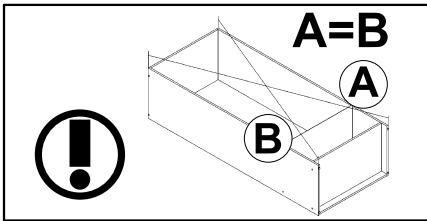
8

- 4x $\phi 7 \times 50$ mm e1
- 4x $\phi 15 \times 12$ mm #16 r1
- 1x z1



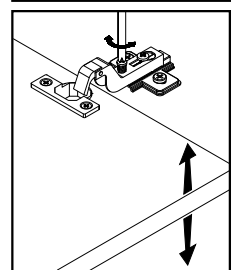
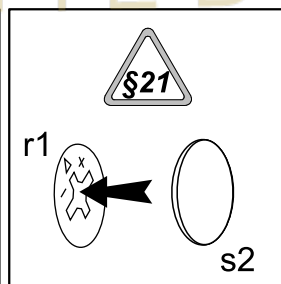
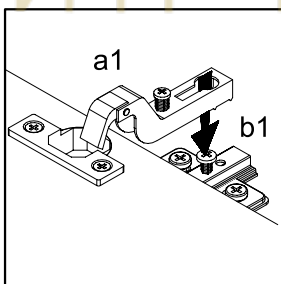
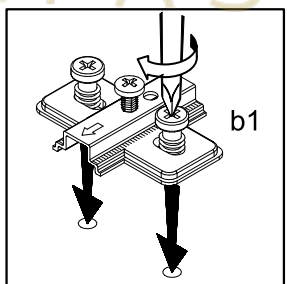
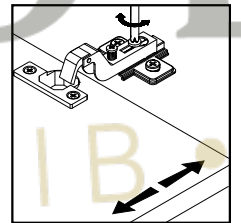
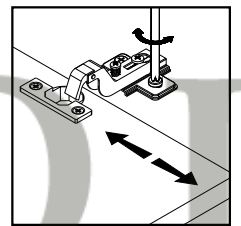
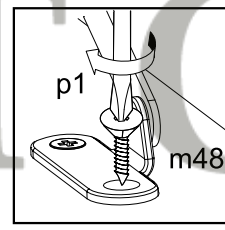
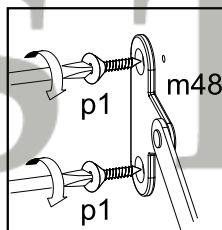
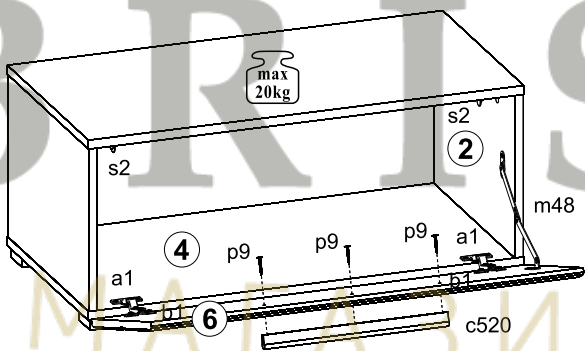
9

- 36x l1
- 4x 56x56/20 mm k52
- 8x $\phi 4 \times 30$ mm p21



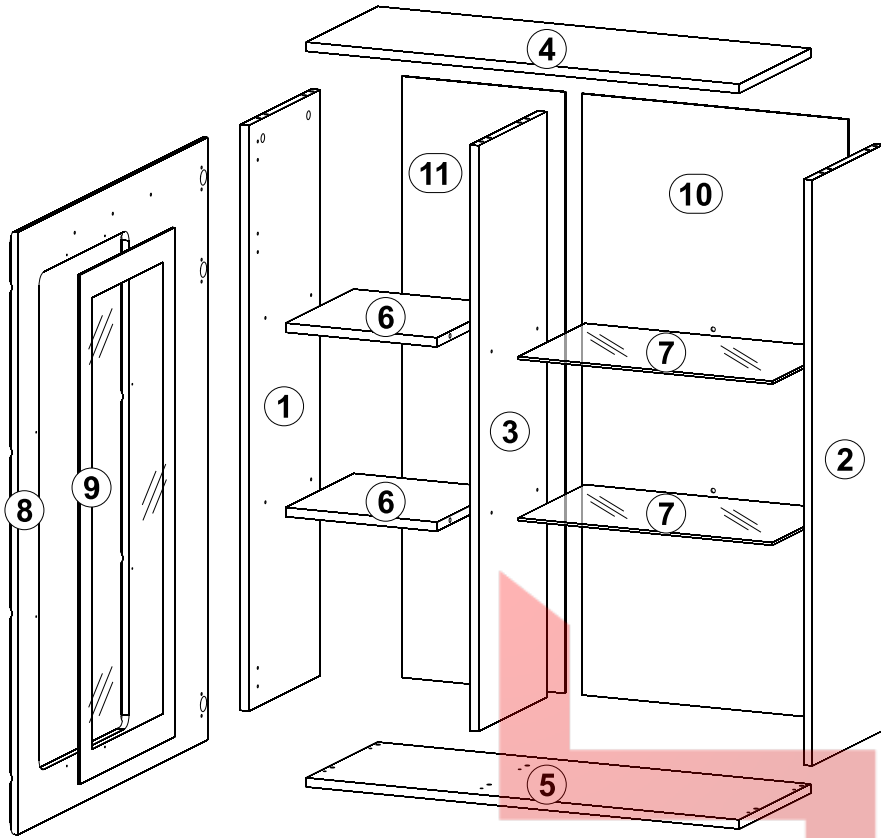
10

- 1x L 340 mm c520
- 1x m48
- 4x $\phi 3.5 \times 13$ mm p1
- 3x $\phi 4 \times 30$ mm p9
- 4x $\phi 16$ s2



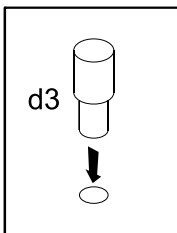
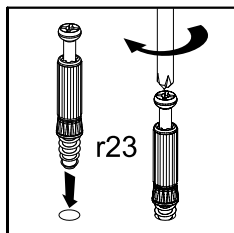
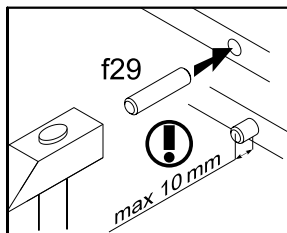
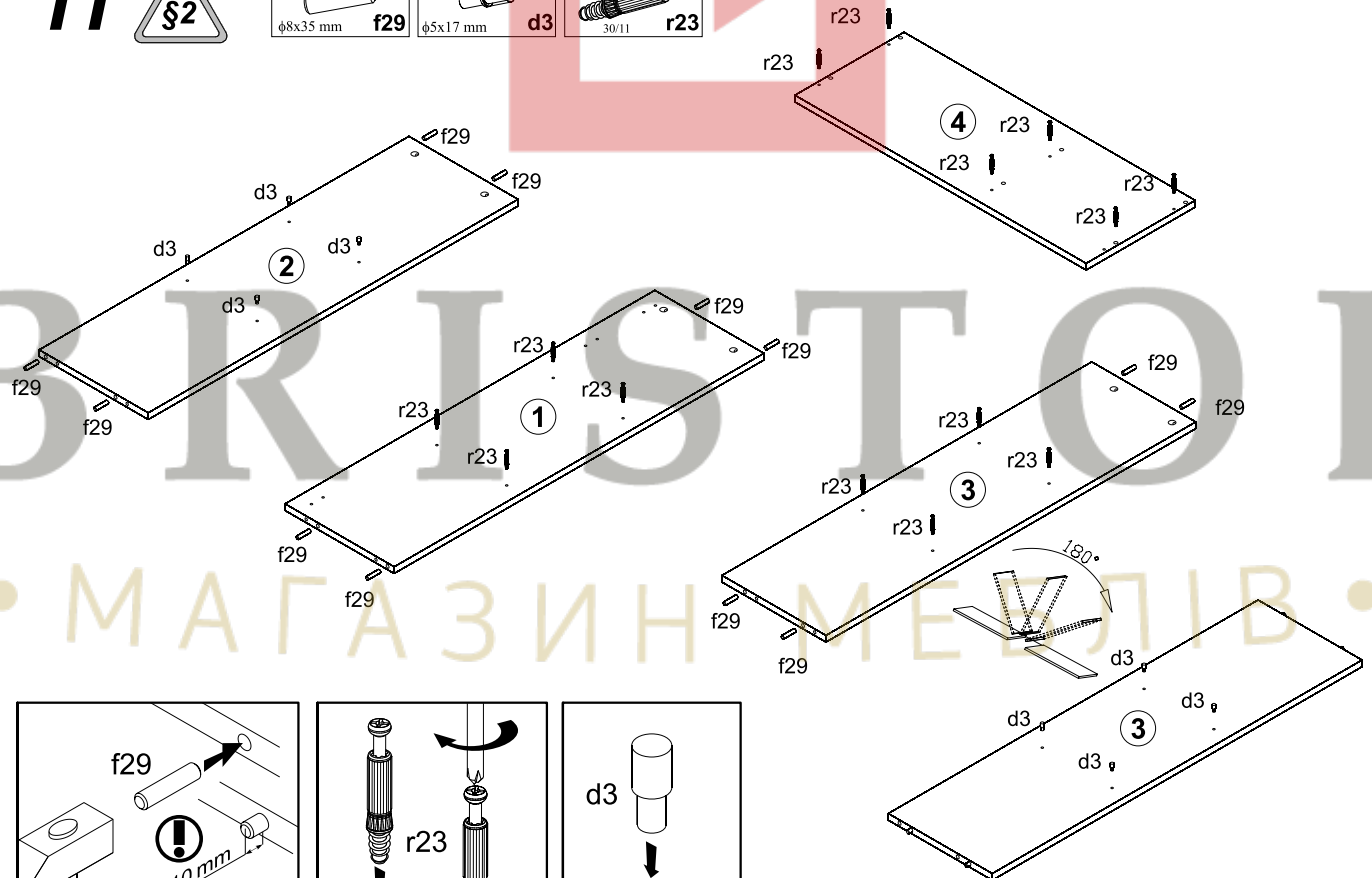
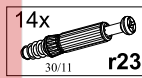
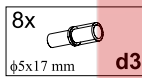
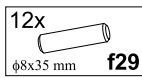


Вітрина ліва / Витрина левая

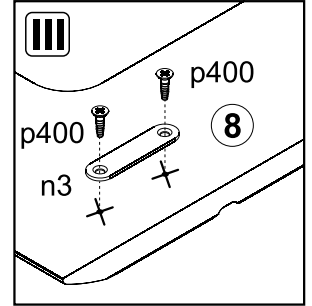
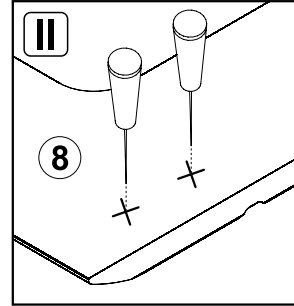
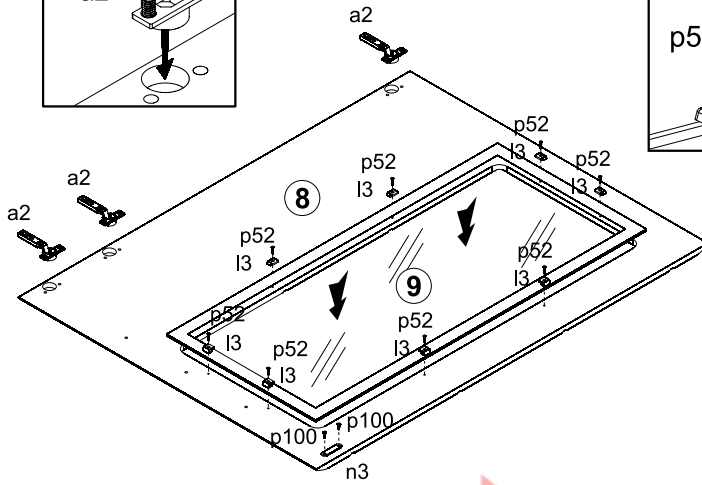
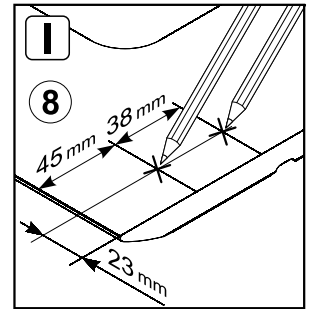
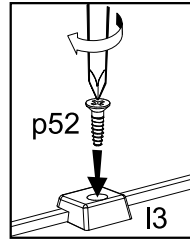
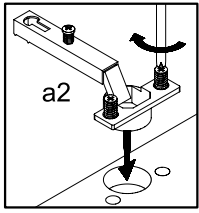
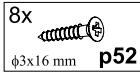
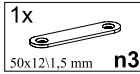
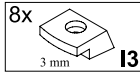
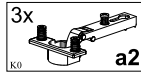


A	B	C	D	
1	PU1-110	1017	330	2/4
2	PU1-111	1017	330	2/4
3	PU1-121	1017	316	2/4
4	PU1-205	800	330	2/4
5	PU1-206	800	330	2/4
6	PU1-313	280	316	2/4
7	PU1-312	469	309	2/4
8	PU1-009A	1046	796	4/4
9	PU1-501	884	398	4/4
10	PU1-908	1044	492	4/4
11	PU1-909	1044	301	4/4

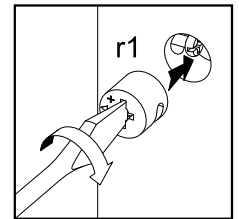
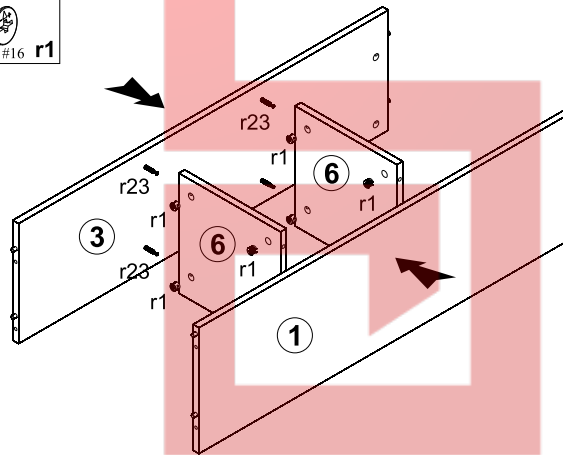
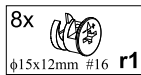
11



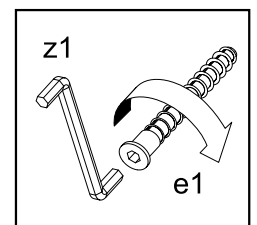
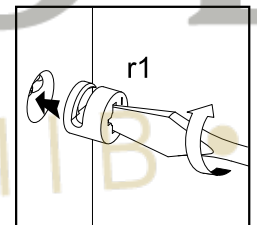
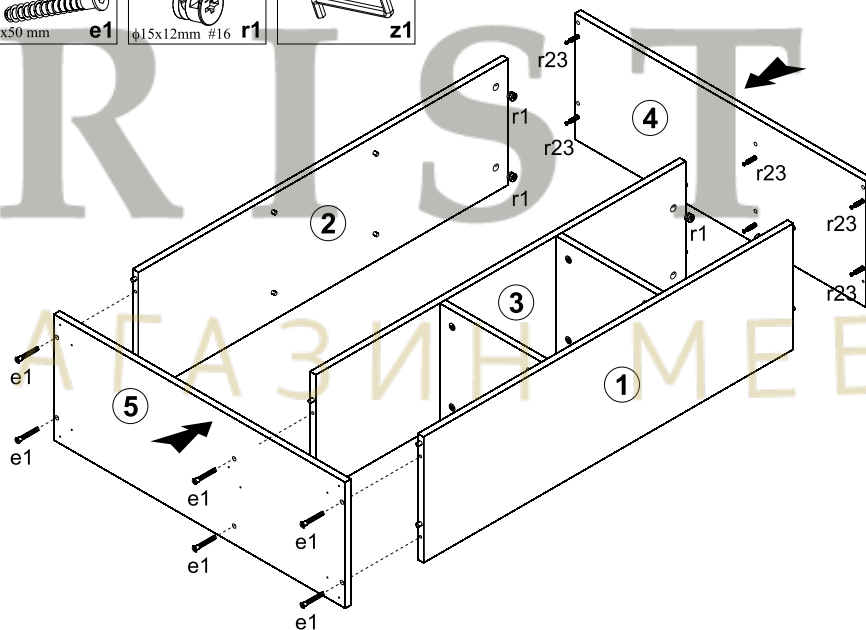
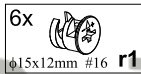
12



13

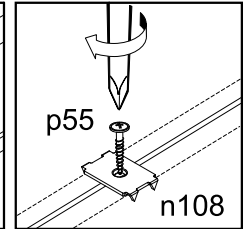
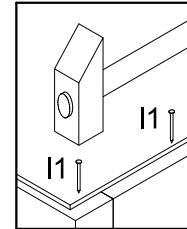
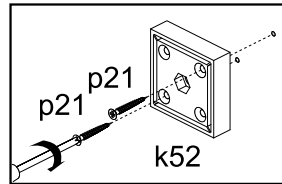
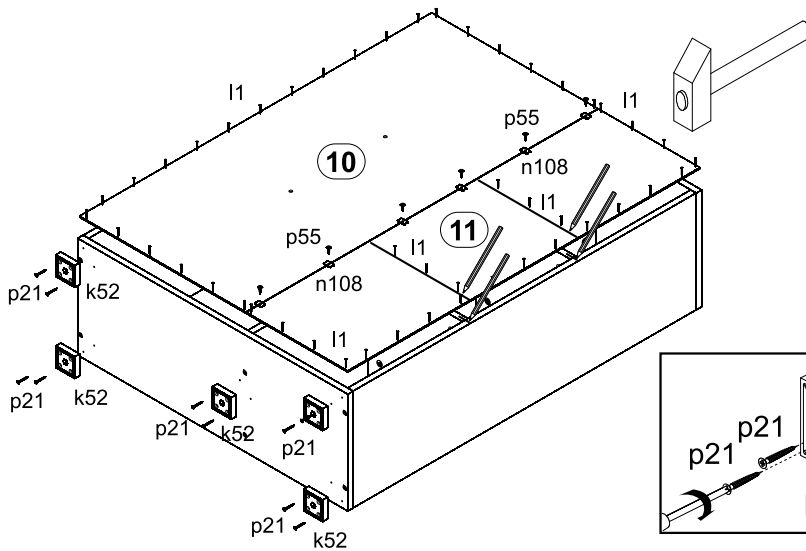
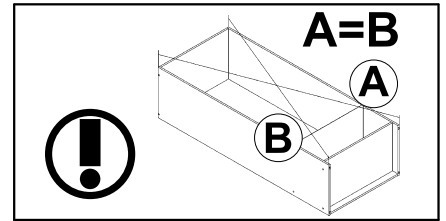


14



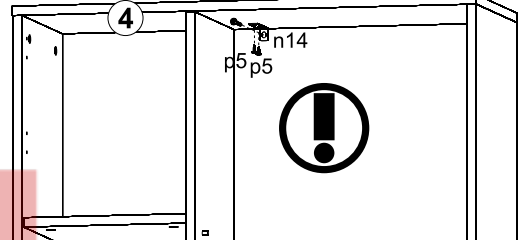
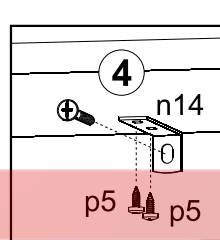
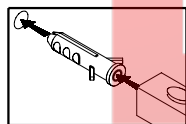
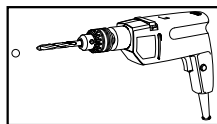
15

- 24x l1
- 5x k52 56x56x20 mm
- 6x n108 20x13x3,51mm
- 6x p55 $\phi 2,9 \times 16$ mm
- 10x p21 $\phi 4 \times 30$ mm



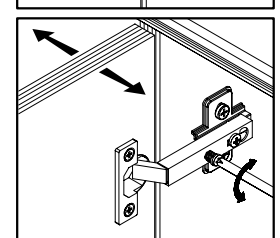
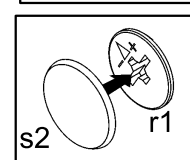
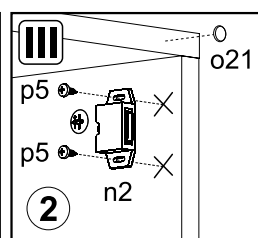
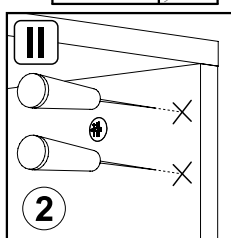
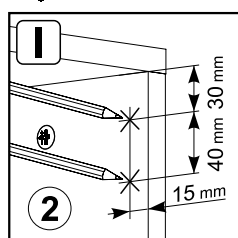
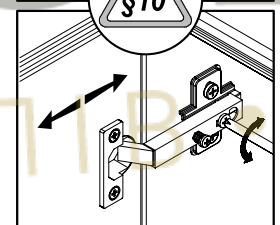
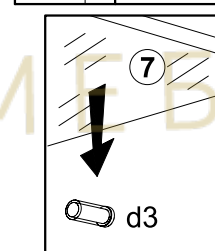
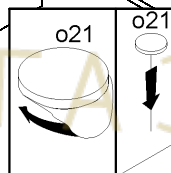
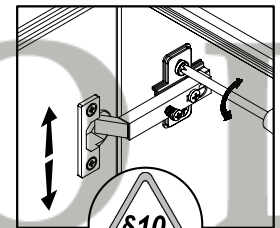
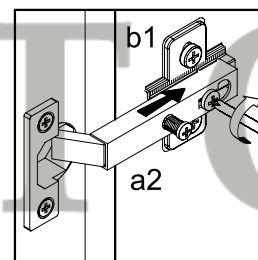
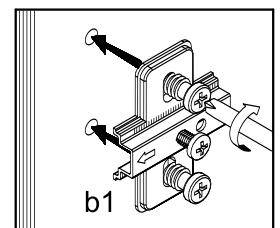
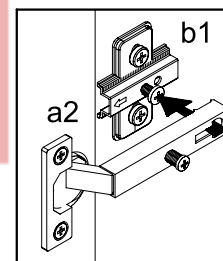
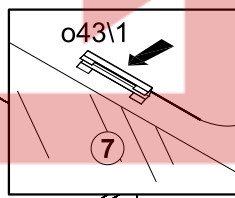
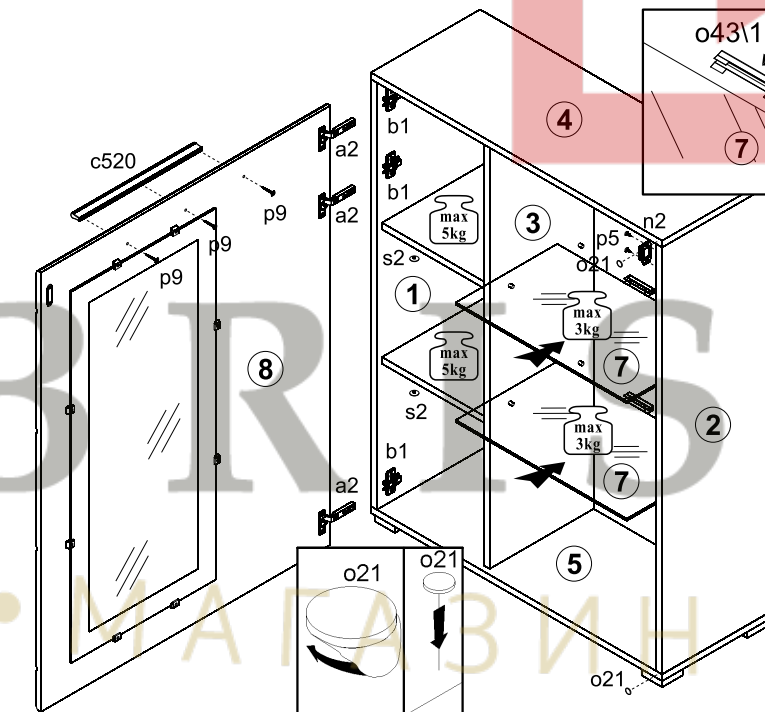
16

- 1x n14 81x21x15/1,5mm
- 2x p5 $\phi 3,5 \times 13$ mm



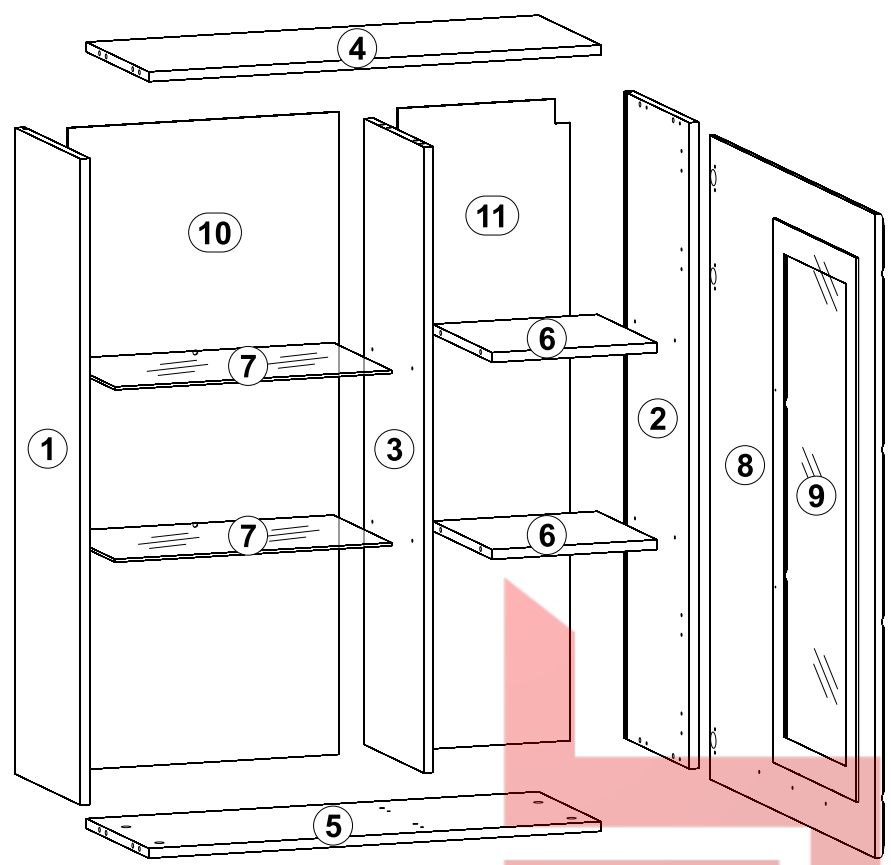
17

- 3x b1
- 1x c520 L 340 mm
- 1x n2
- 2x silikon o21 $\phi 8 \times 1,8$ mm
- 2x o43/1
- 2x p5 $\phi 3,5 \times 13$ mm
- 3x p9 $\phi 4 \times 30$ mm
- 14x s2 $\phi 16$



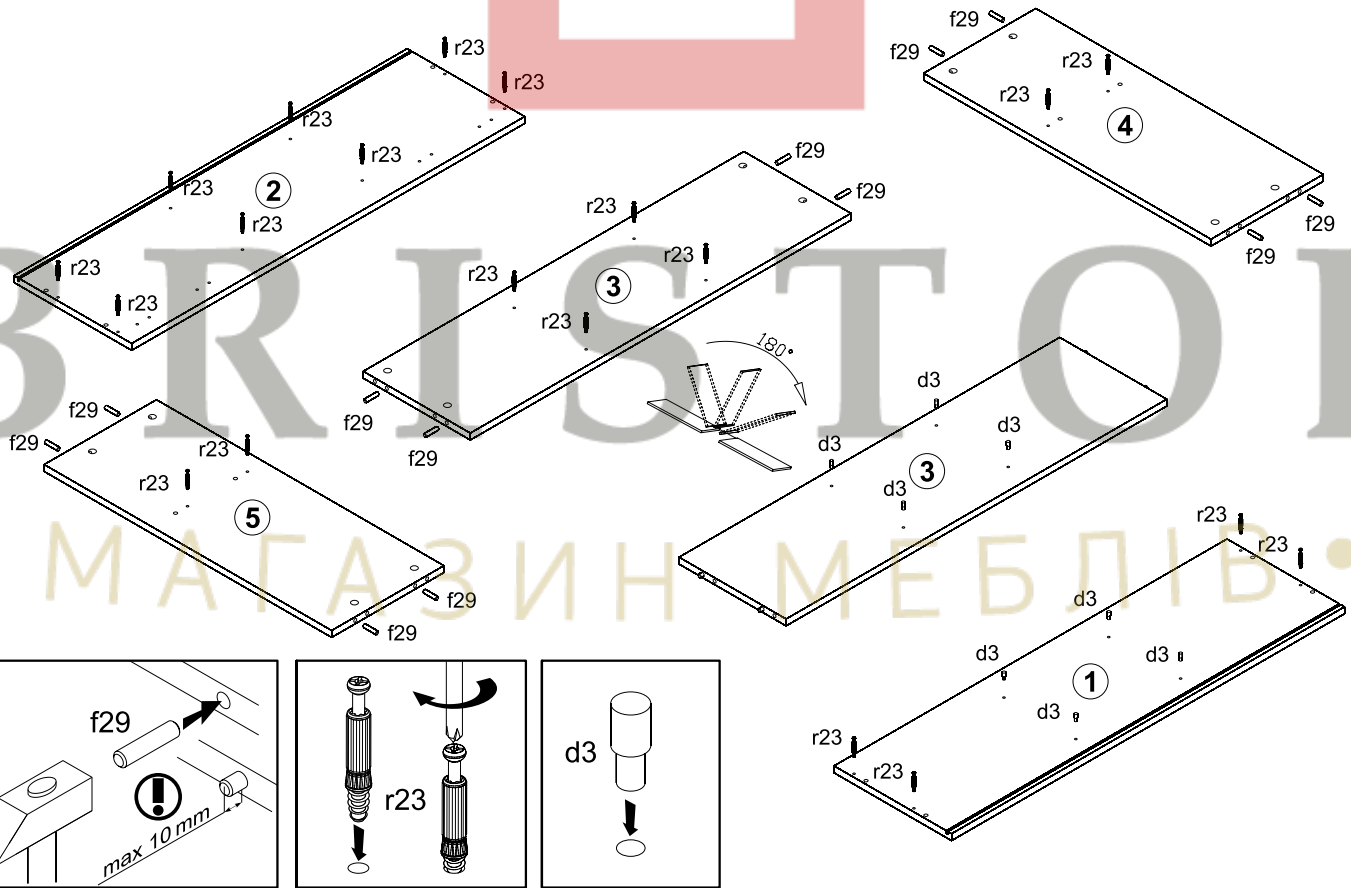
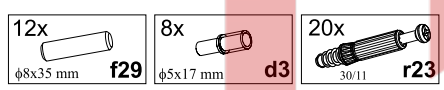
IV

Вітрина навесна права / Витрина навесная правая

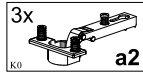
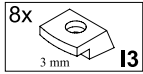
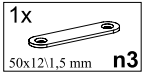
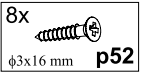



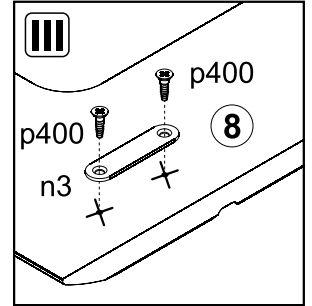
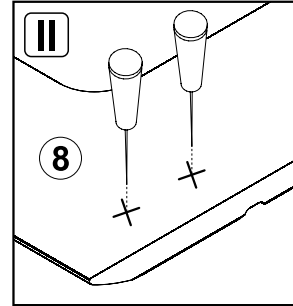
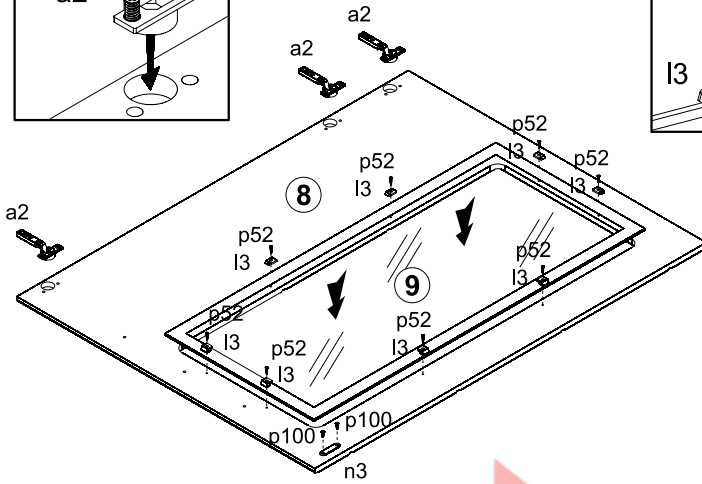
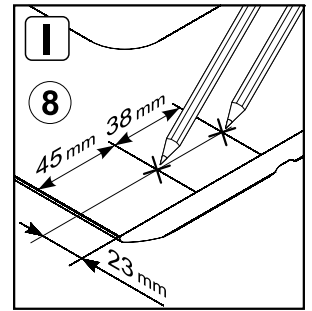
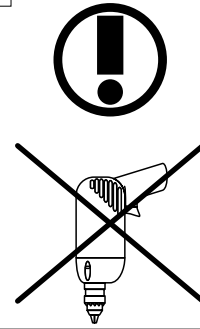
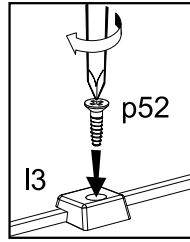
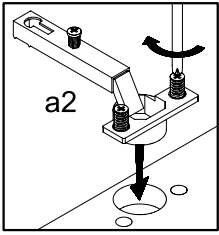
A	B	C	D	
1	PU1-108-01	1050	314	3/4
2	PU1-107-01	1050	314	3/4
3	PU1-109	1017	286	3/4
4	PU1-302	768	300	3/4
5	PU1-303	768	300	3/4
6	PU1-304	280	286	3/4
7	PU1-305	470	279	3/4
8	PU1-007A	1046	796	4/4
9	PU1-501	884	398	4/4
10	PU1-905	1044	485	4/4
11	PU1-906	1044	293	4/4

18



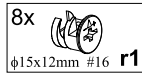
19

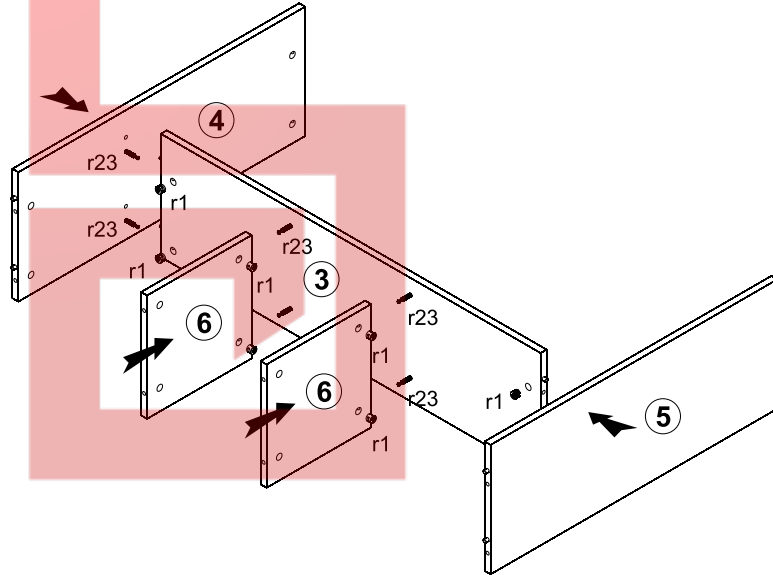
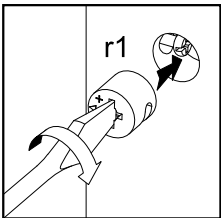
- 3x  a2
- 8x  l3 3 mm
- 1x  n3 50x12,1,5 mm
- 8x  p52 $\phi 3 \times 16$ mm
- 2x  p400 $\phi 3 \times 10$ mm



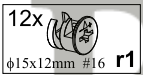
20

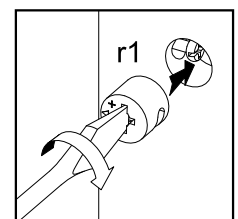
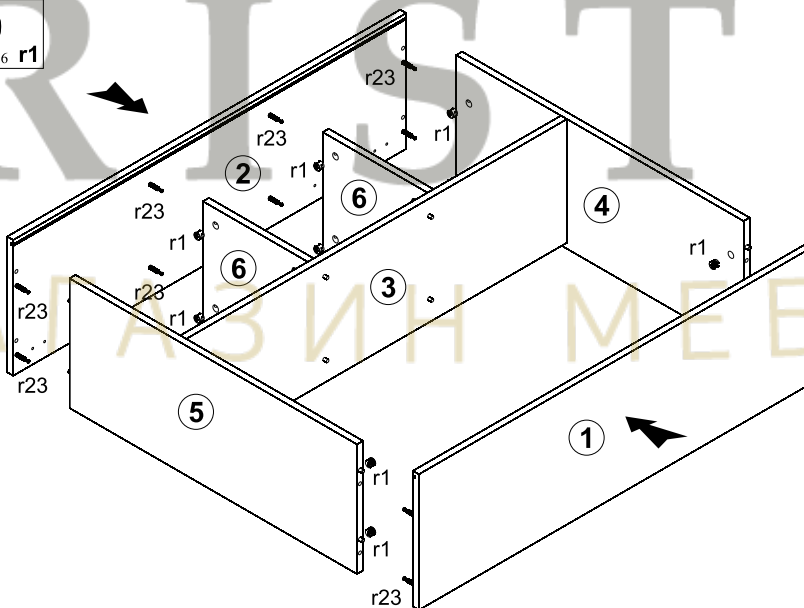


- 8x  r1 $\phi 15 \times 12$ mm #16

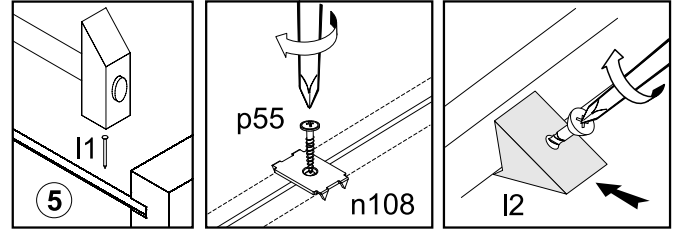
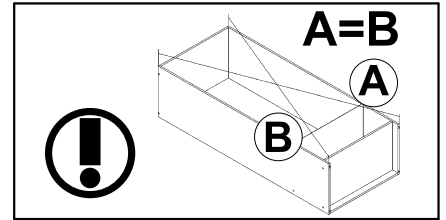
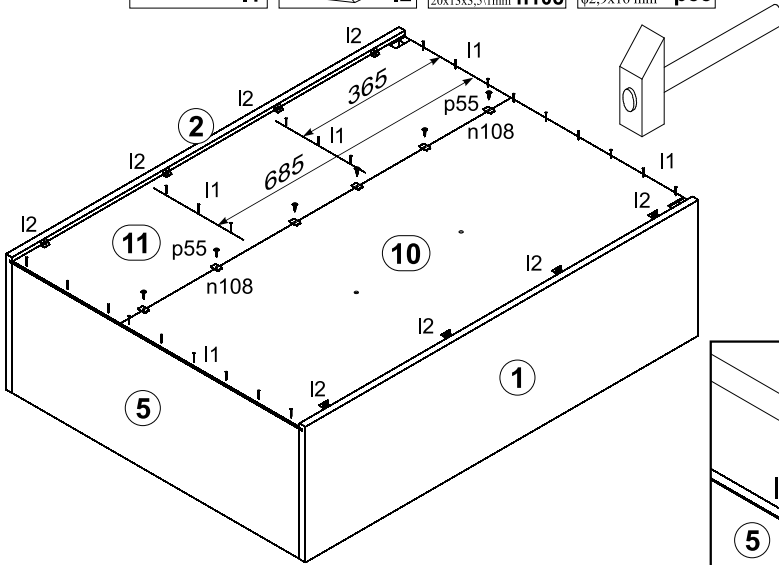
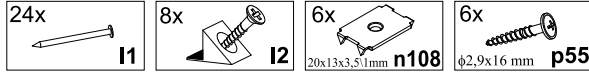


21

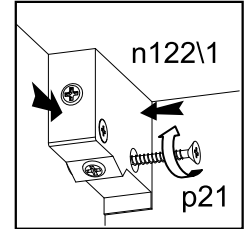
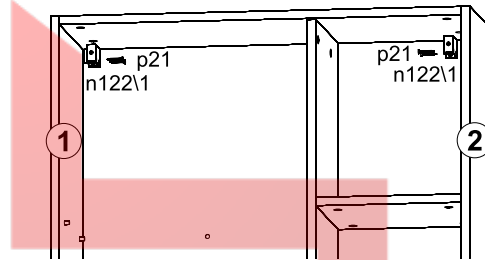
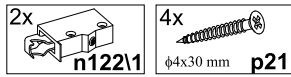
- 12x  r1 $\phi 15 \times 12$ mm #16



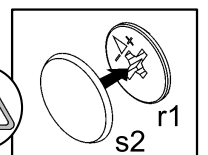
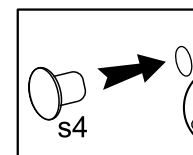
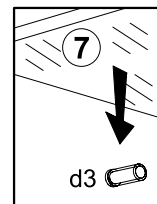
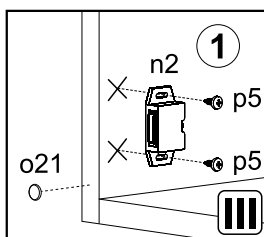
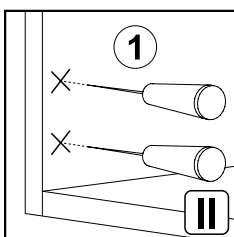
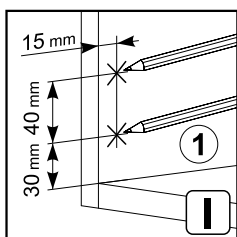
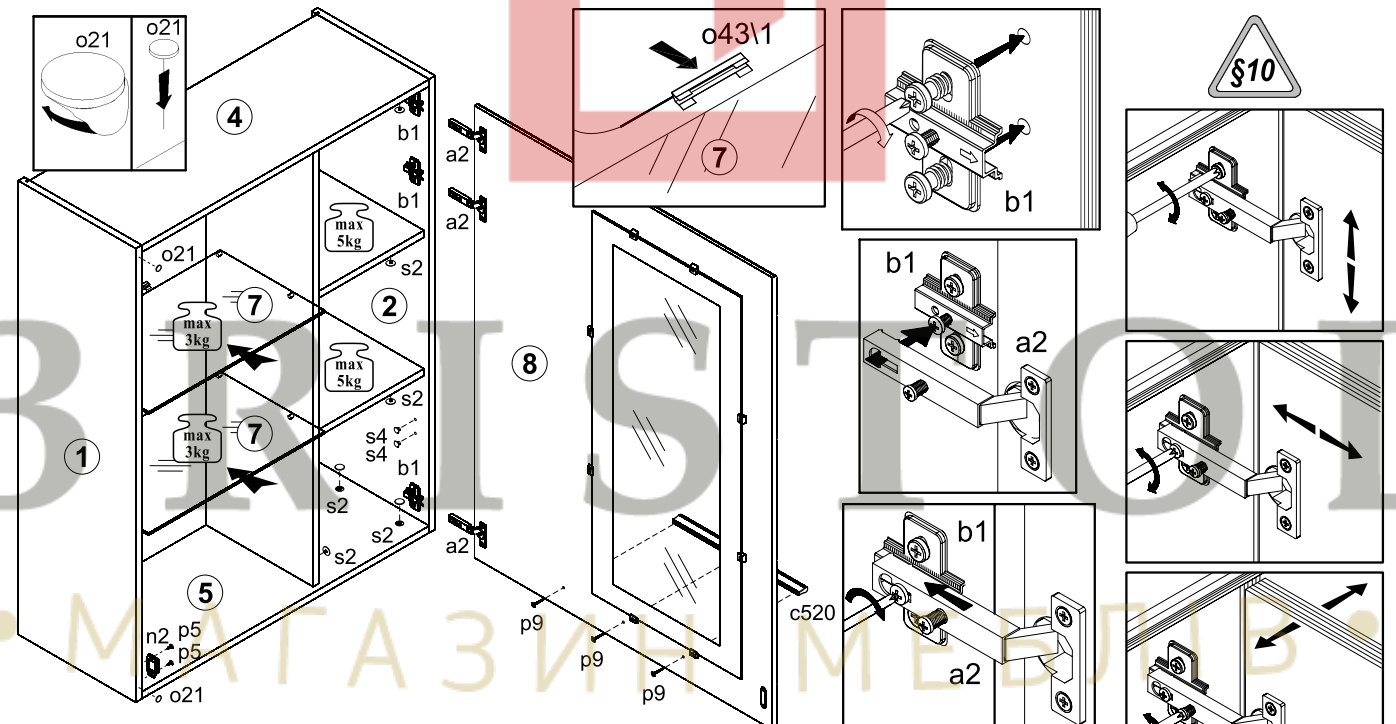
22



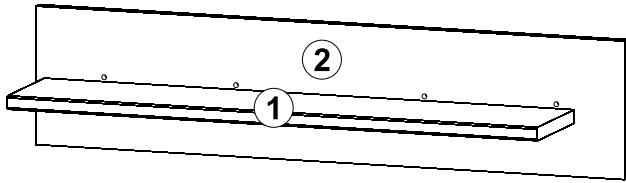
23



24



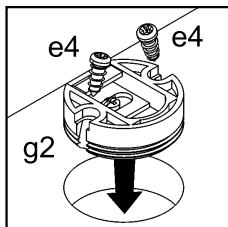
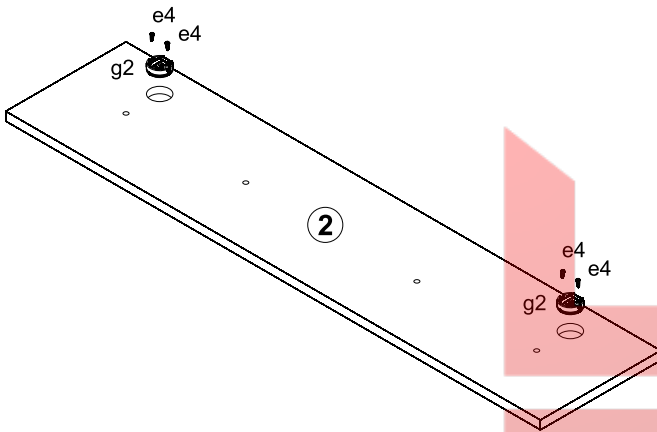
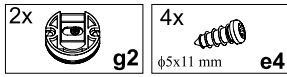
V Полиця / Полка



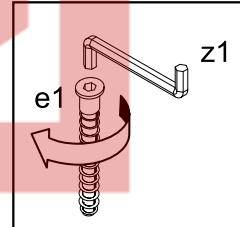
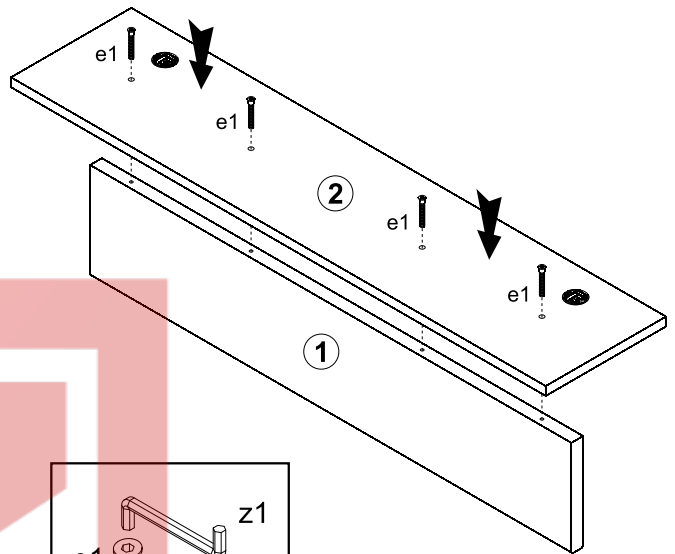
A	B	C	D
1	PU1-306	900	180
2	PU1-401	225	1000



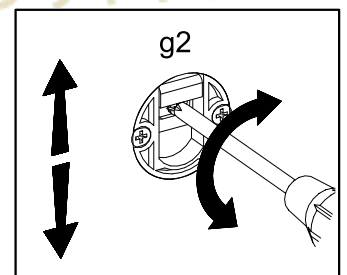
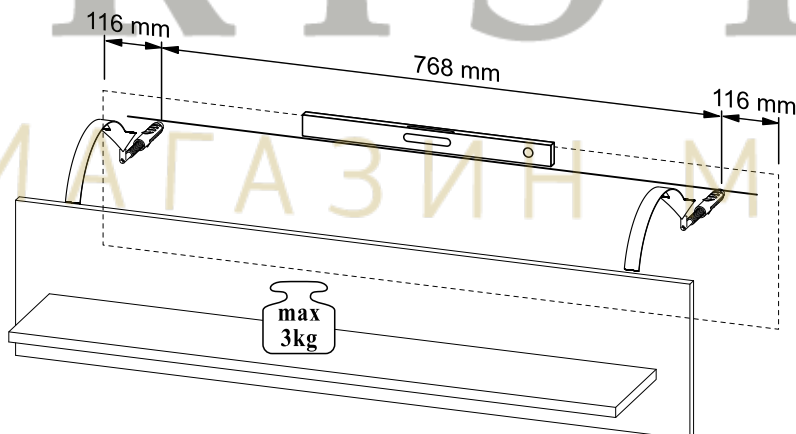
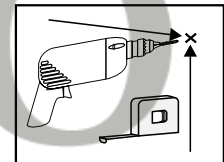
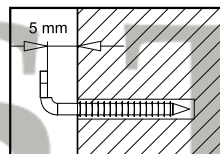
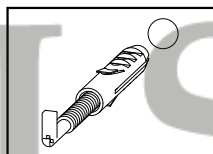
25



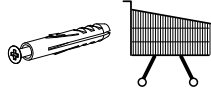
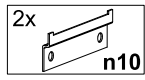
26



27



28



25 mm

64 mm

64 mm

25 mm

