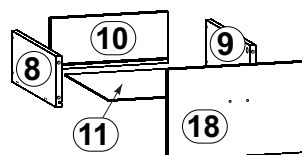
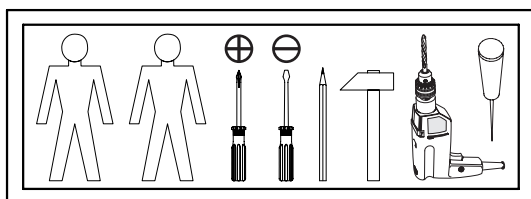
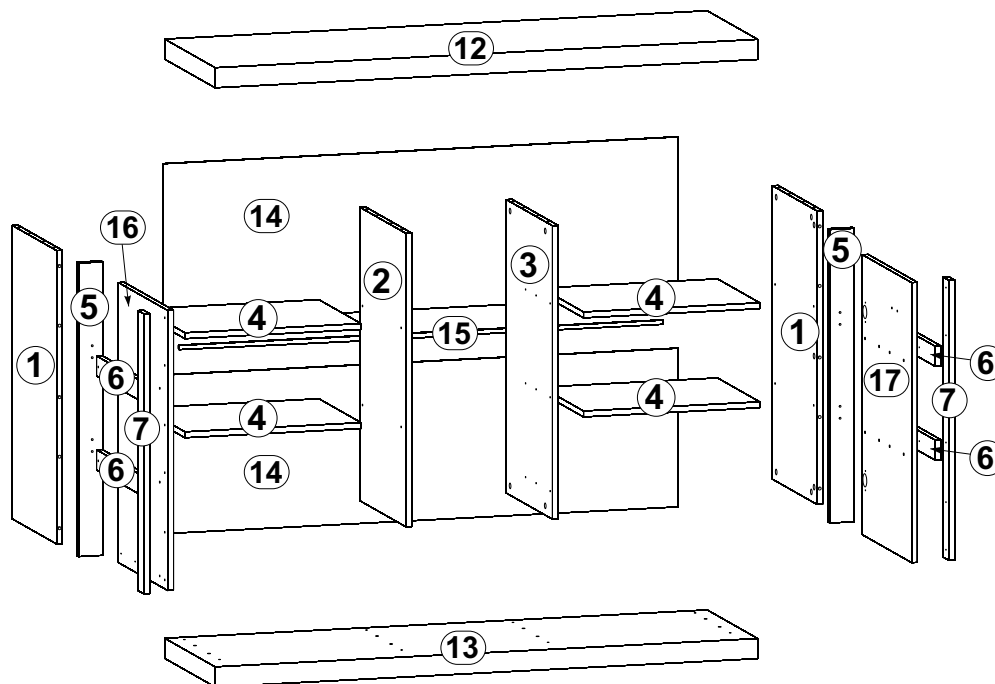
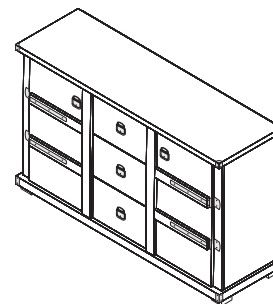


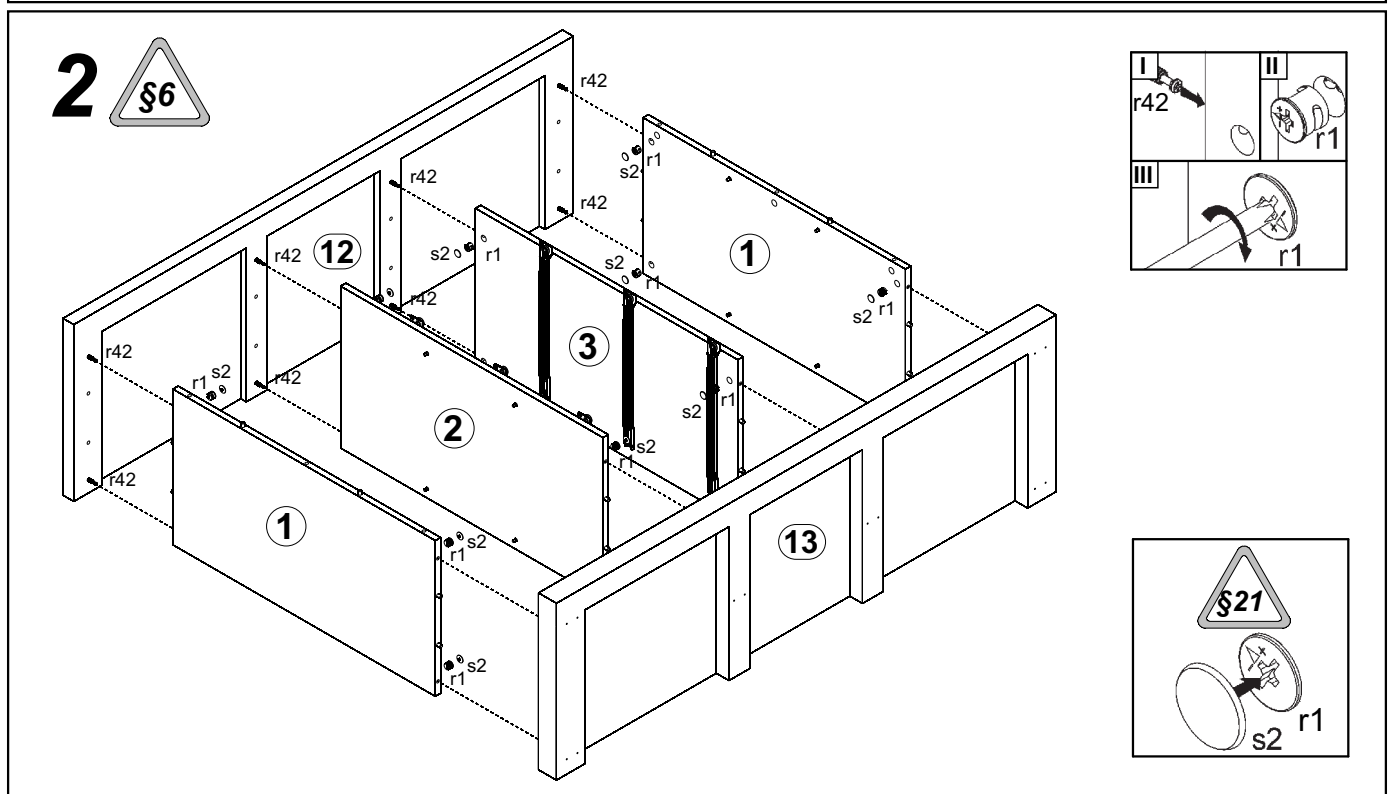
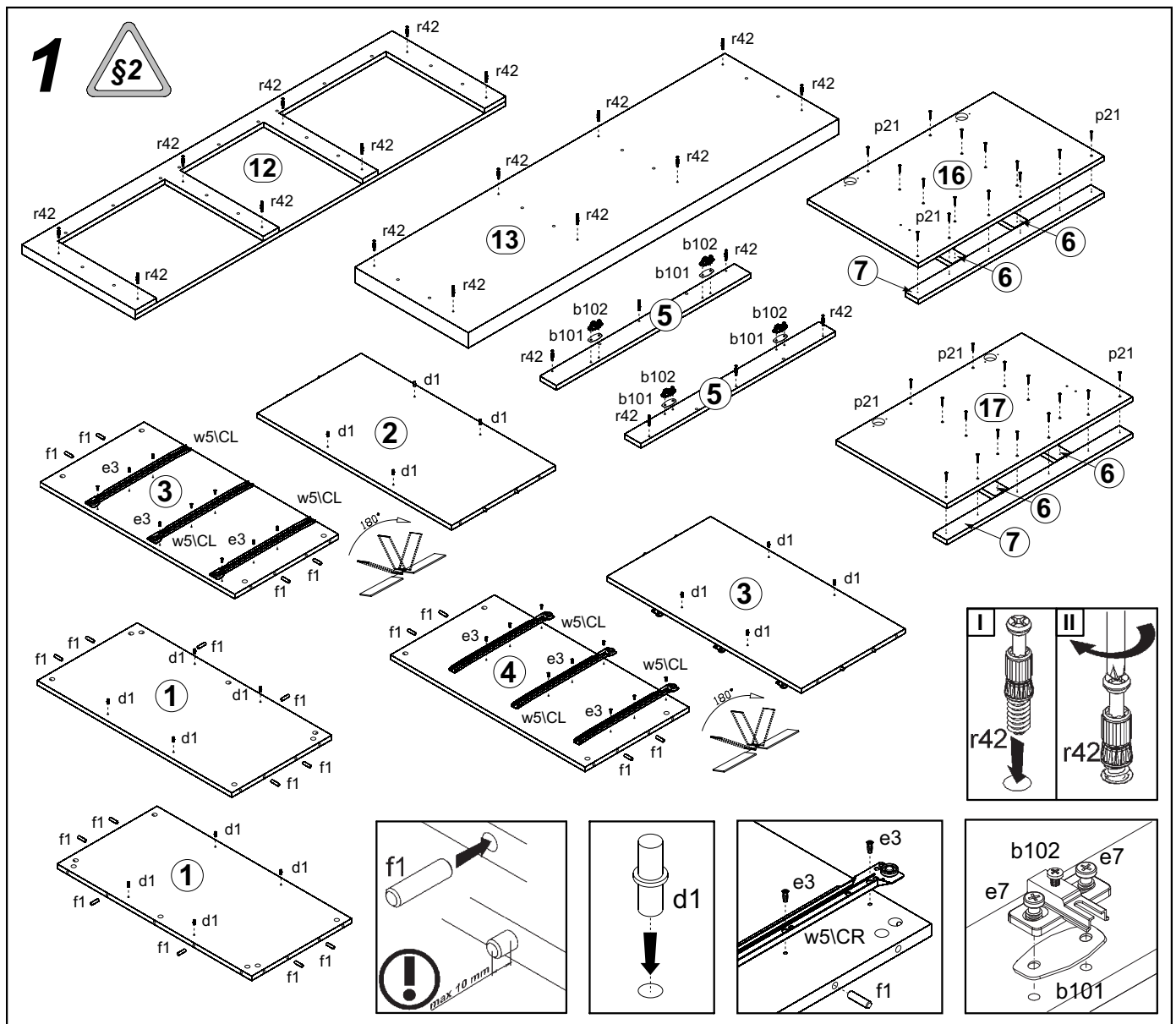
ЛОРД

Комод_2D3S

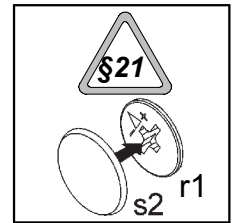
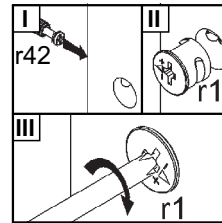
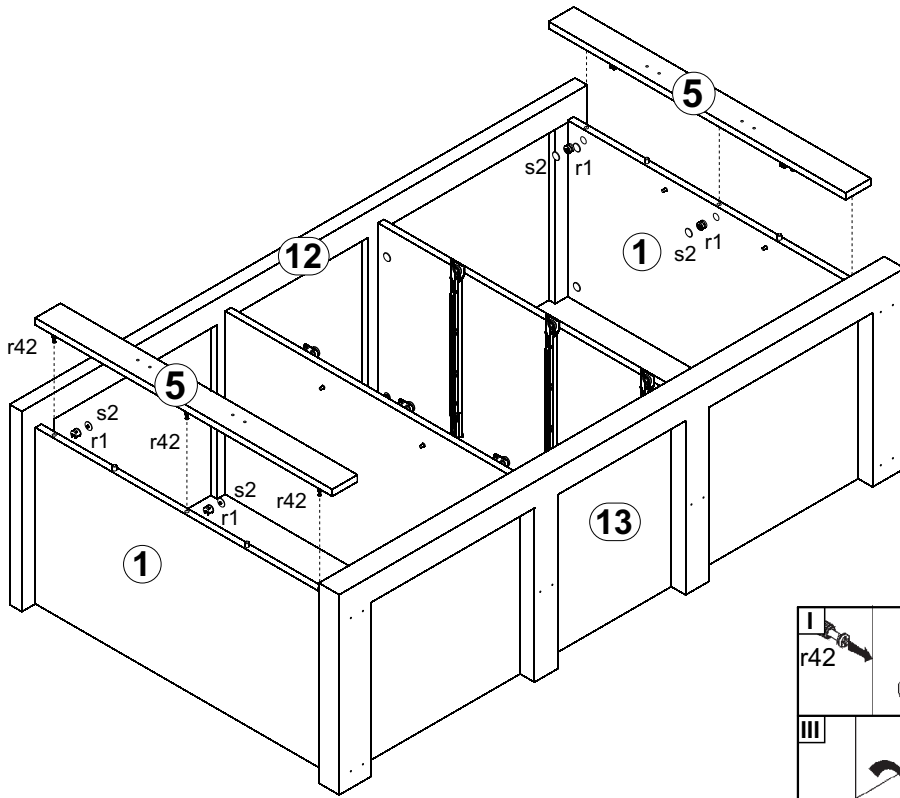
A	B	C	D	A	B	C	D		
1	LR1-105	814	410	1/3	10	LR1-504	334	140	1/3
2	LR1-107	814	426	1/3	11	LR1-903	349	399	1/3
3	LR1-108	814	426	1/3	12	LR1-205	1500	460	2/3
4	LR1-304	504	389	1/3	13	LR1-206	1500	460	2/3
5	LR1-416	814	67	1/3	14	LR1-904	1459	425	2/3
6	LR1-429	389	60	1/3	15	LH-1431	1431		2/3
7	LR1-418	808	60	1/3	16	LR1-005	808	466	3/3
8	LR1-502	400	140	1/3	17	LR1-006	808	466	3/3
9	LR1-503	400	140	1/3	18	LR1-007	407	267	3/3



4x a200/1	4x b102	4x b101	5x c411	16x Ø5x17 mm d1	18x φ6x13 mm e3	8x φ6,3x16 mm e7
12x φ5x50 mm e32	20x Ø8x30 mm f1	10x M4x22 mm j30	6x k55	65x l1	4x 290x30x2,6 mm l54	4x 60x16x16 mm l55
4x 50x45x2,5 mm l56	2x 50x26x26 mm l57	2x 34x26x26 mm l58	1x n26/1	12x Ø4x35 mm p6	28x Ø4x30 mm p21	1x Ø3,5x16 mm p38
8x φ3,5x15 mm p51	12x φ3x12 mm p54	34x Ø15x12 mm #16 r1	34x 20/11 r42	24x Ø16 s2	3x 400 mm w5 ^{DR}	3x 400 mm w5 ^{CR}
3x 400 mm w5 ^{DL}	3x 400 mm w5 ^{CL}					



3



4

