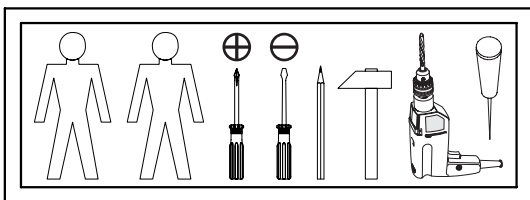
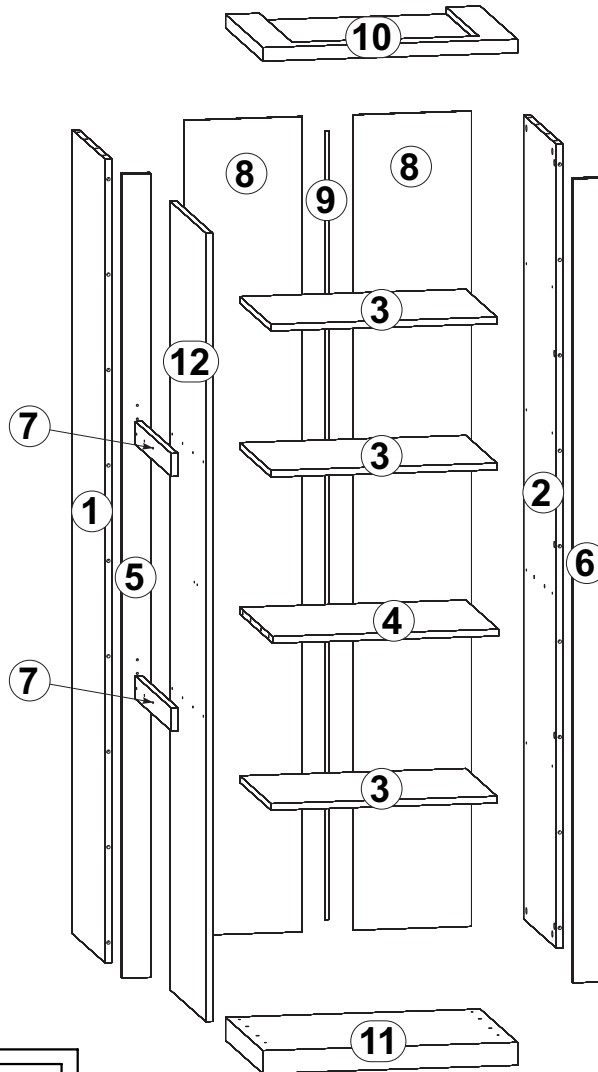
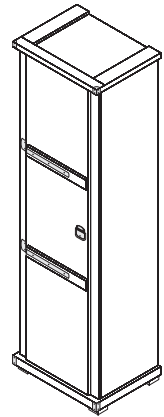


ЛОРД

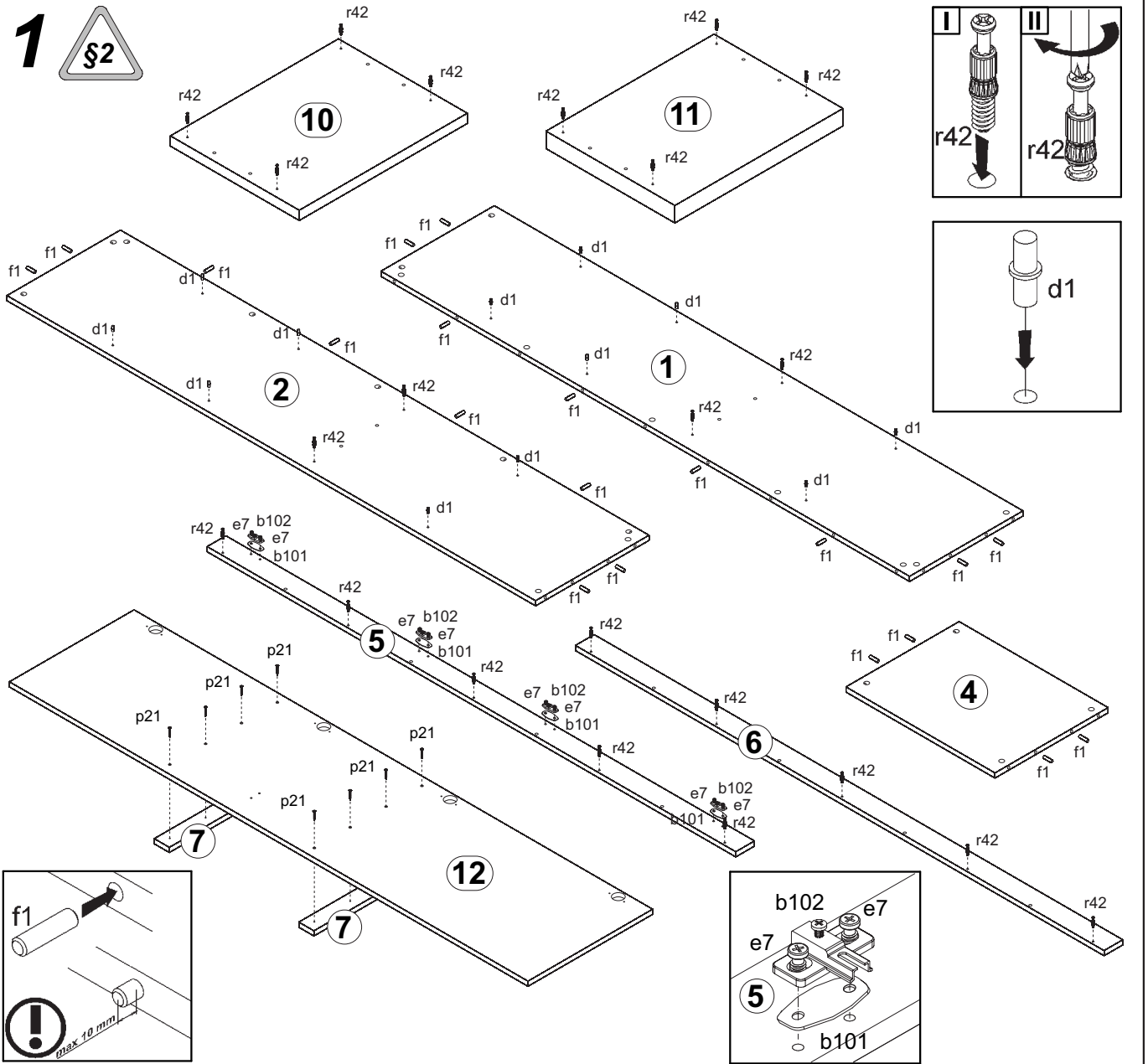
Пенал_1DL

| A | B | C | D |
|----|----------|------|-----|
| 1 | LR1-122 | 1913 | 410 |
| 2 | LR1-123 | 1913 | 410 |
| 3 | LR1-308 | 532 | 389 |
| 4 | LR1-309 | 532 | 409 |
| 5 | LR1-401 | 1913 | 67 |
| 6 | LR1-4409 | 1913 | 67 |
| 7 | LR1-453 | 428 | 60 |
| 8 | LH-913 | 1940 | 279 |
| 9 | LH-1912 | 1912 | |
| 10 | LR1-220 | 600 | 460 |
| 11 | LR1-222 | 600 | 460 |
| 12 | LR1-016 | 1907 | 445 |

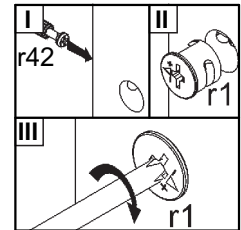
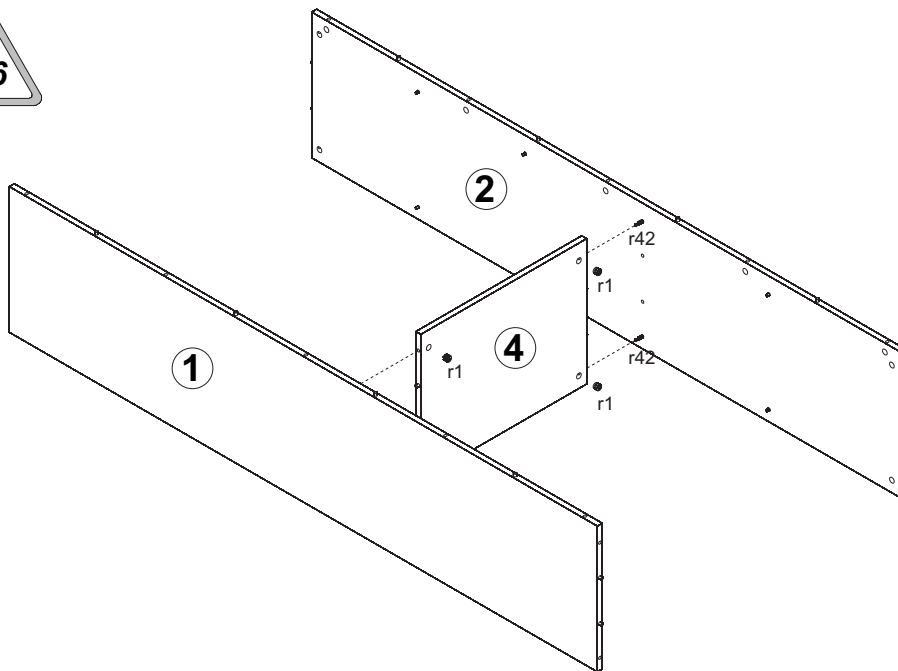


| | | | | | | |
|---------------------------|-------------------|-----------------------|-----------------------------|---------------------------|----------------------------|-----------------------------|
| 4x a200/1 | 4x b102 | 4x b101 | 1x c411 | 12x Ø5x17 mm d1 | 8x φ6,3x16 mm e7 | 20x Ø8x30 mm f1 |
| 2x M4x22 mm j30 | 4x k55 | 55x l1 | 2x 290x30x2,6 mm l54 | 2x 60x16x16 mm l55 | 2x 50x45x2,5 mm l56 | 2x 50x26x26 mm l57 |
| 2x 34x26x26 mm l58 | 1x n26/1 | 8x Ø4x35 mm p6 | 8x Ø4x30 mm p21 | 1x Ø3,5x16 mm p38 | 8x φ3,5x15 mm p51 | 22x Ø15x12 mm #16 r1 |
| 22x 20/11 r42 | 18x Ø16 s2 | | | | | |

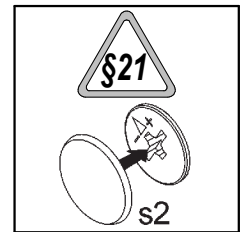
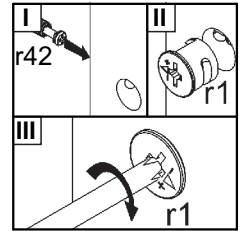
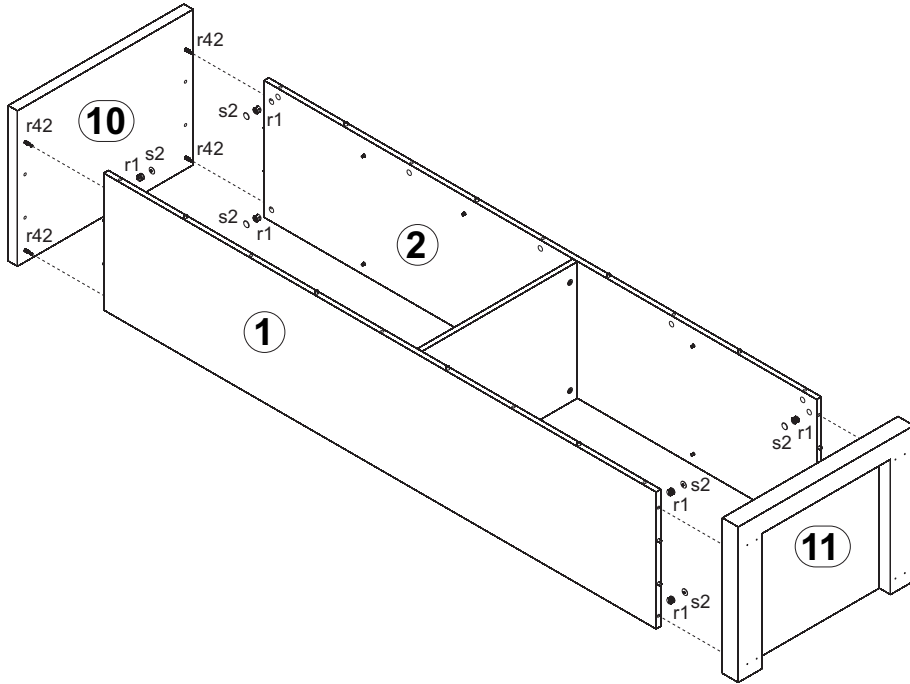
1



2



3



4

