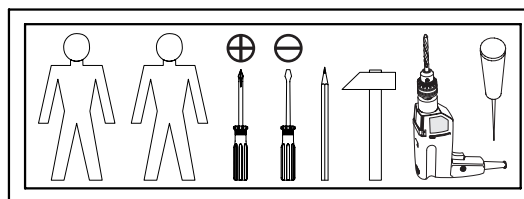
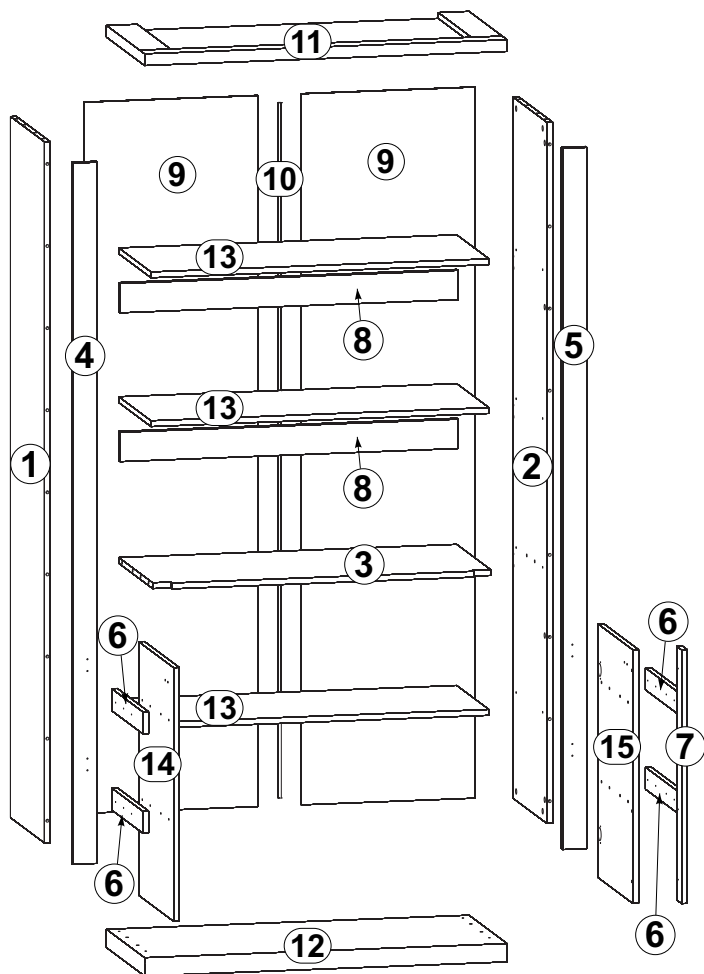
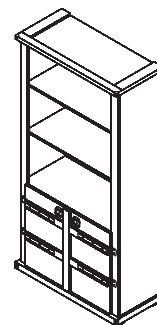


ЛОРД

Пенал_2D

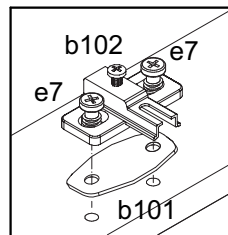
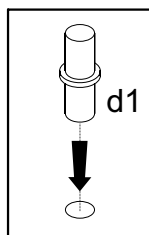
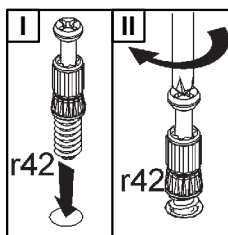
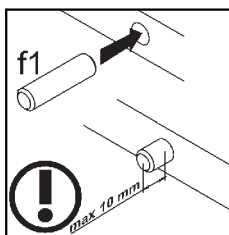
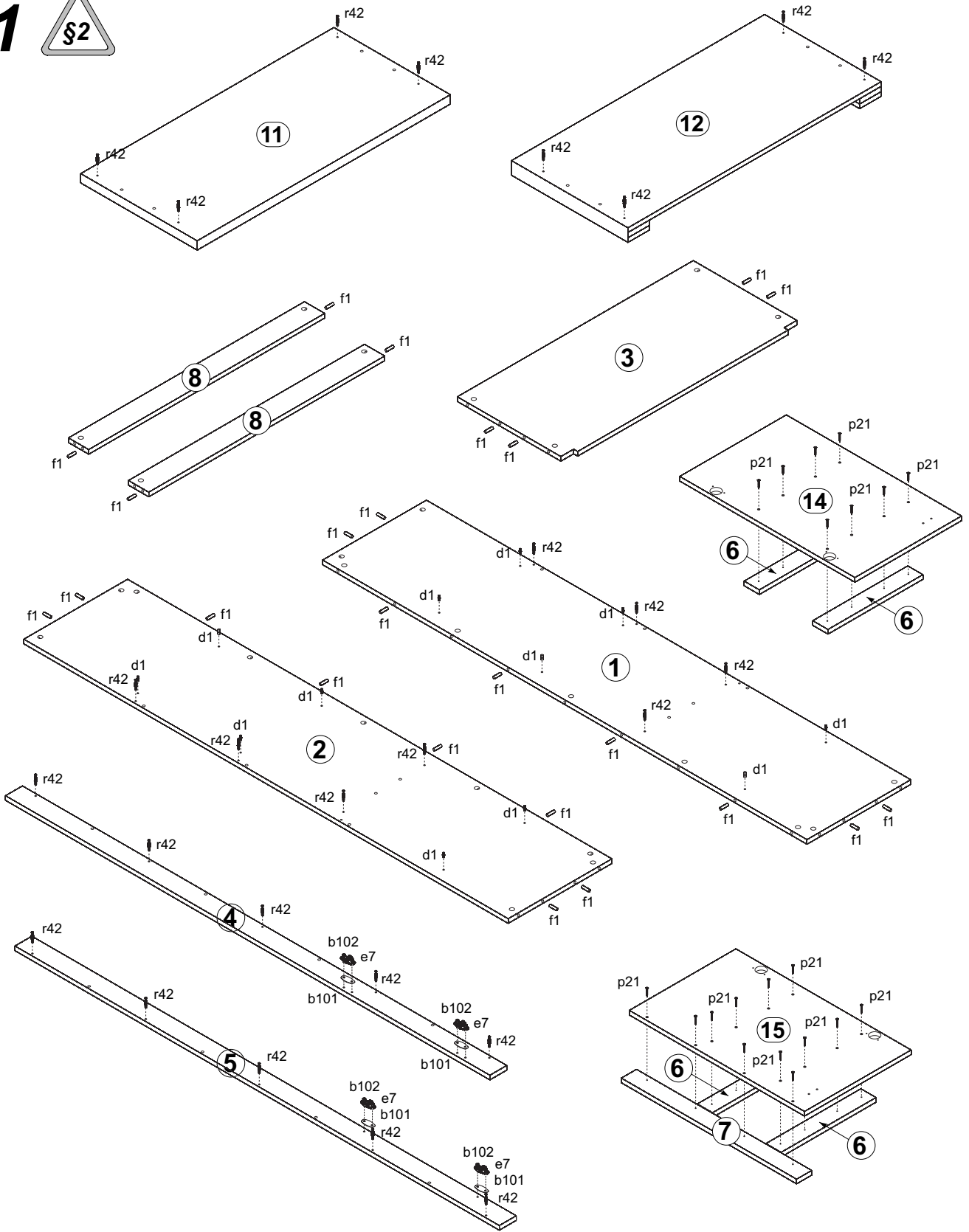
A	B	C		D
1	LR1-140	1913	410	1/4
2	LR1-141	1913	410	1/4
3	LR1-311	932	425	1/4
4	LR1-475	1913	67	1/4
5	LR1-476	1913	67	1/4
6	LR1-478	375	60	1/4
7	LR1-479	692	60	1/4
8	LR1-477	932	80	1/4

A	B	C		D
9	LR1-916	1940	479	1/4
10	LH-1912	1912		1/4
11	LR1-232	1000	460	2/4
12	LR1-233	1000	460	2/4
13	LR1-312	932	389	3/4
14	LR1-020	692	421	4/4
15	LR1-021	692	421	4/4

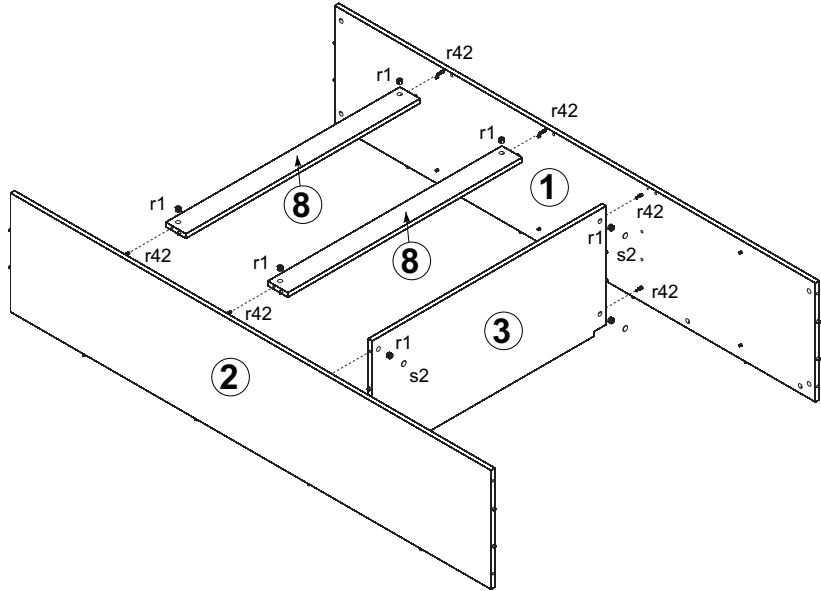
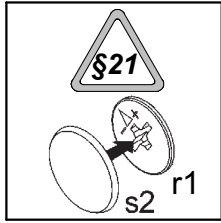
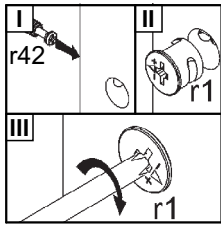


4x a200/1	4x b102	4x b101	2x c411	12x Ø5x17 mm d1	8x φ6,3x16 mm e7	24x Ø8x30 mm f1
4x M4x22 mm j30	4x k55	65x l1	4x 290x30x2,6 mm l54	4x 60x16x16 mm l55	4x 50x45x2,5 mm l56	2x 50x26x26 mm l57
2x 34x26x26 mm l58	1x n26/1	8x Ø4x35 mm p6	20x Ø4x30 mm p21	13x Ø3,5x16 mm p38	8x φ3,5x15 mm p51	26x Ø15x12 mm #16 r1
26x 20/11 r42	18x Ø16 s2					

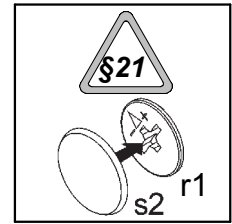
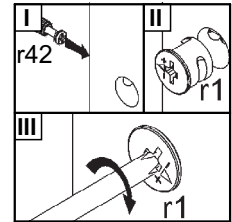
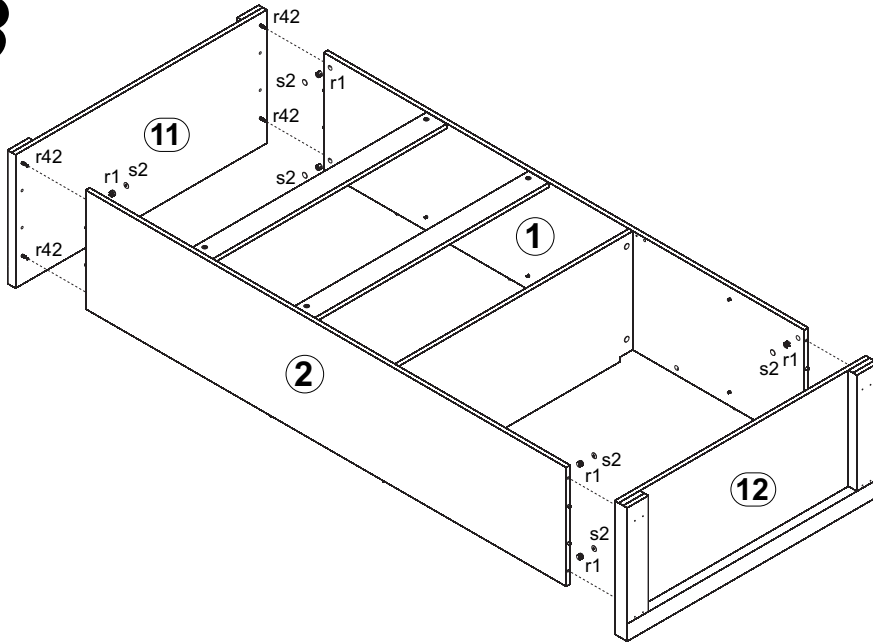
1



2



3



4

