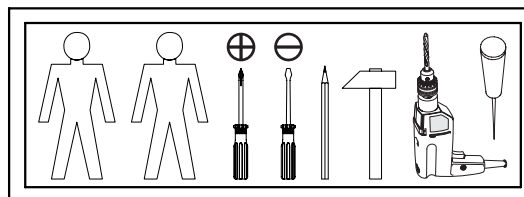
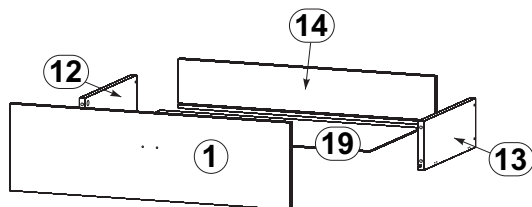
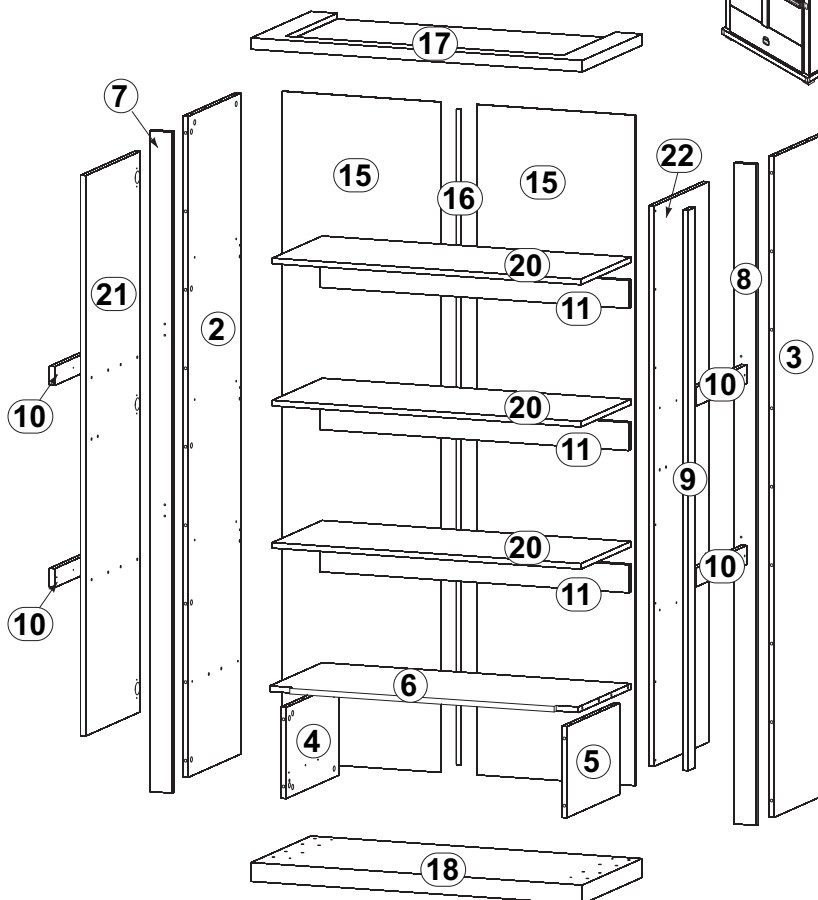


ЛОРД

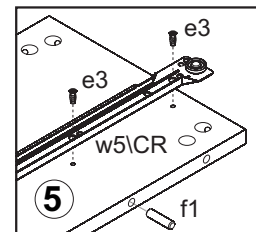
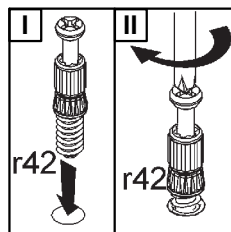
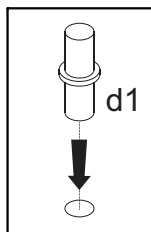
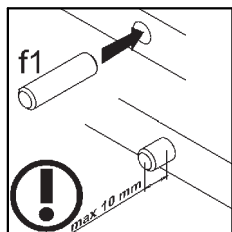
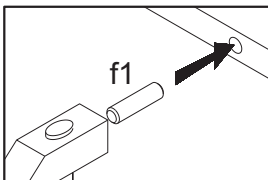
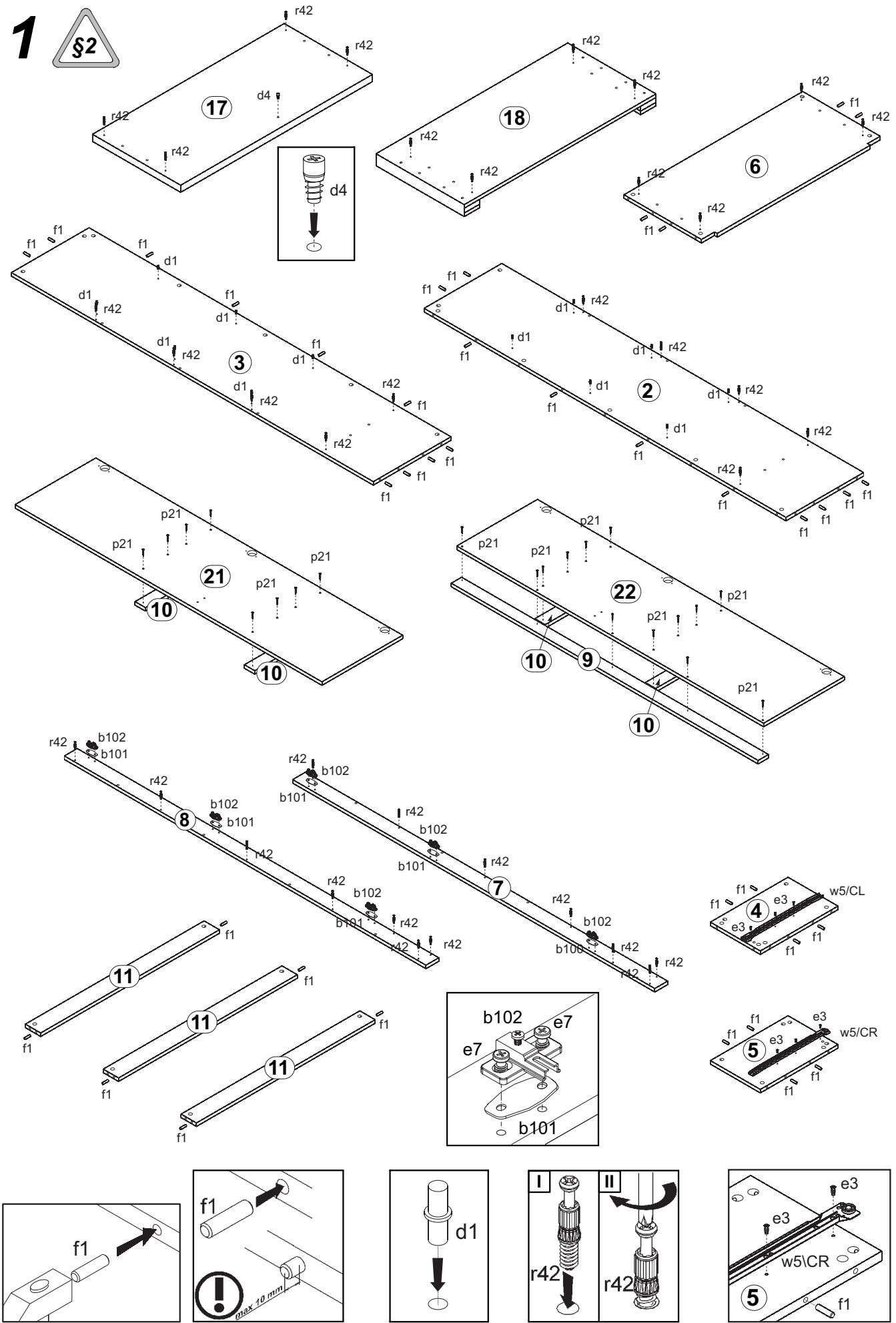
Пенал_2D1S

A	B	C	D	
1	LR1-014	845	267	1/4
2	LR1-156	1913	410	1/4
3	LR1-157	1913	410	1/4
4	LR1-158	257,5	410	1/4
5	LR1-159	257,5	410	1/4
6	LR1-327	932	425	1/4
7	LR1-4427	1913	67	1/4
8	LR1-4428	1913	67	1/4
9	LR1-4426	1637	60	1/4
10	LR1-478	375	60	1/4
11	LR1-477	932	80	1/4
12	LR1-502	400	140	1/4
13	LR1-503	400	140	1/4
14	LR1-508	775	140	1/4
15	LR1-916	1940	479	1/4
16	LH-1912	1912		1/4
17	LR1-258	1000	460	2/4
18	LR1-213	1000	460	2/4
19	LR1-909	789	399	2/4
20	LR1-312	932	389	3/4
21	LR1-035	1637	421	4/4
22	LR1-036	1637	421	4/4

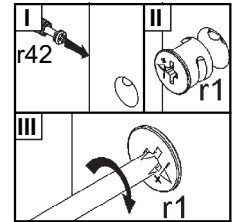
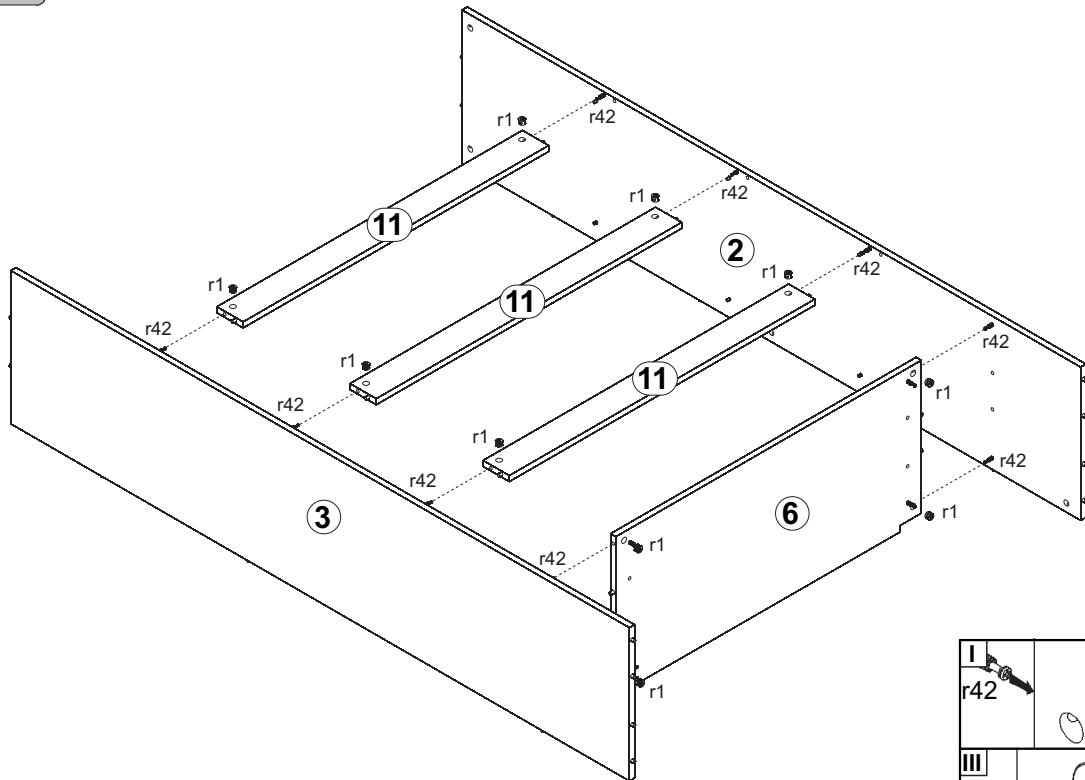


6x a200/1	6x b102	6x b101	3x c411	12x Ø5x17 mm d1	1x φ6x15 mm d4	6x φ6x13 mm e3
12x φ6,3x16 mm e7	4x φ5x50 mm e32	38x Ø8x30 mm f1	6x M4x22 mm j30	4x k55	65x l1	4x 290x30x2,6 mm l54
4x 60x16x16 mm i55	4x 50x45x2,5 mm i56	2x 50x26x26 mm i57	2x 34x26x26 mm i58	1x n26/l	8x Ø4x35 mm p6	21x Ø4x30 mm p21
2x φ3,5x16 mm p25	19x Ø3,5x16 mm p38	12x φ3,5x15 mm p51	4x φ3x12 mm p54	40x Ø15x12 mm #16 r1	40x 20/11 r42	24x Ø16 s2
1x 383 mm t14	1x 400 mm w5 DR	1x 400 mm w5 CR	1x 400 mm w5 DL	1x 400 mm w5 CL		

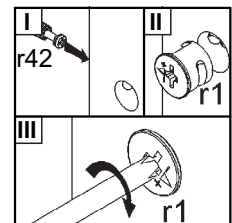
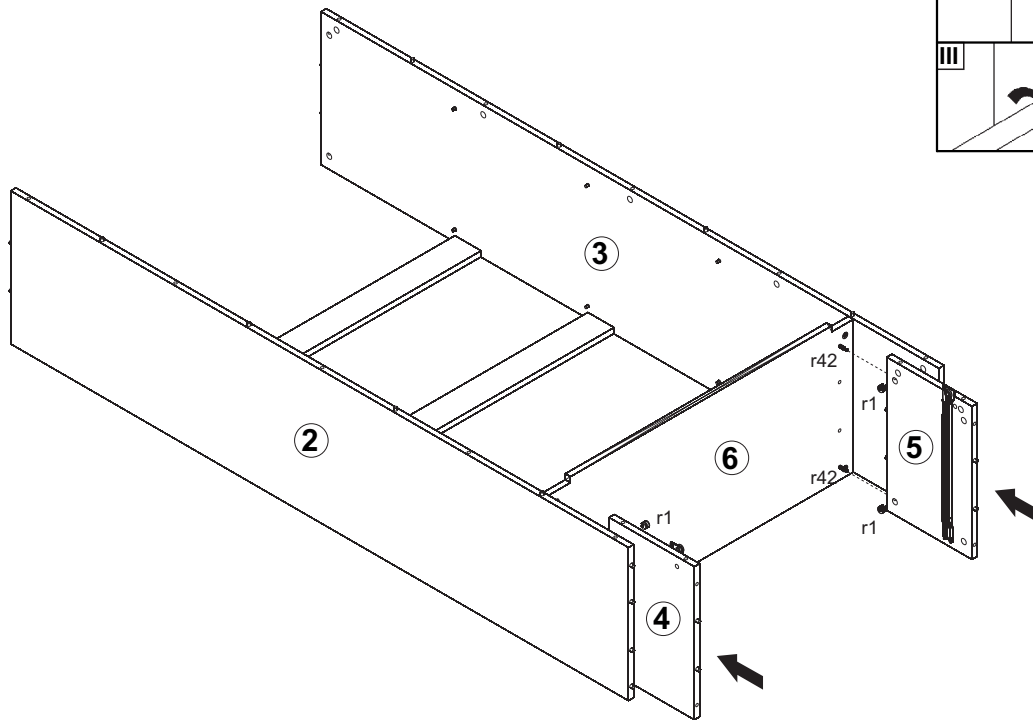
1



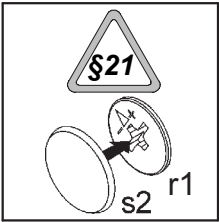
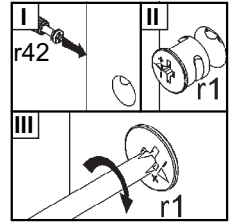
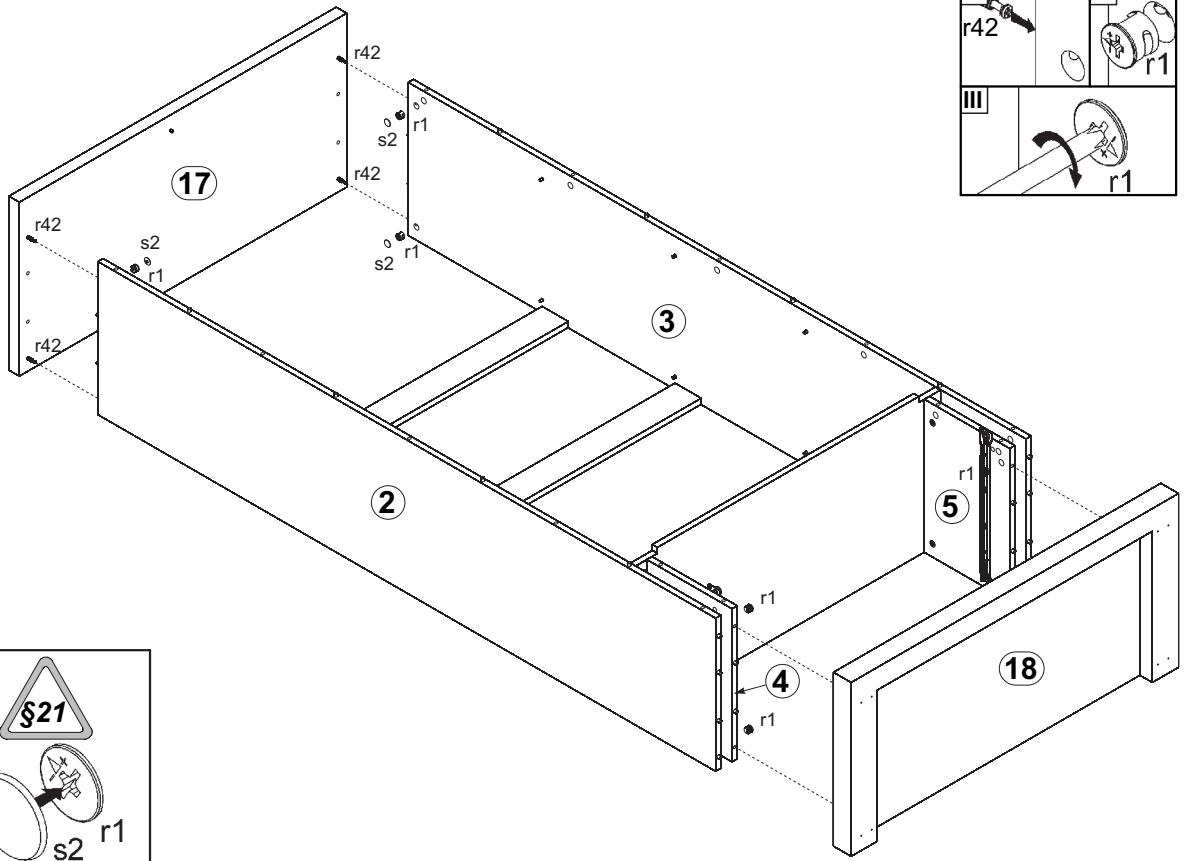
2



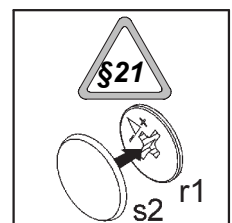
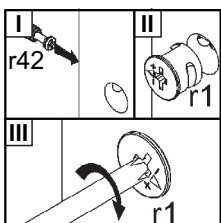
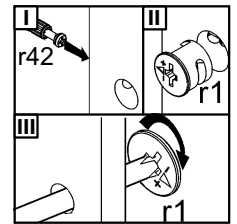
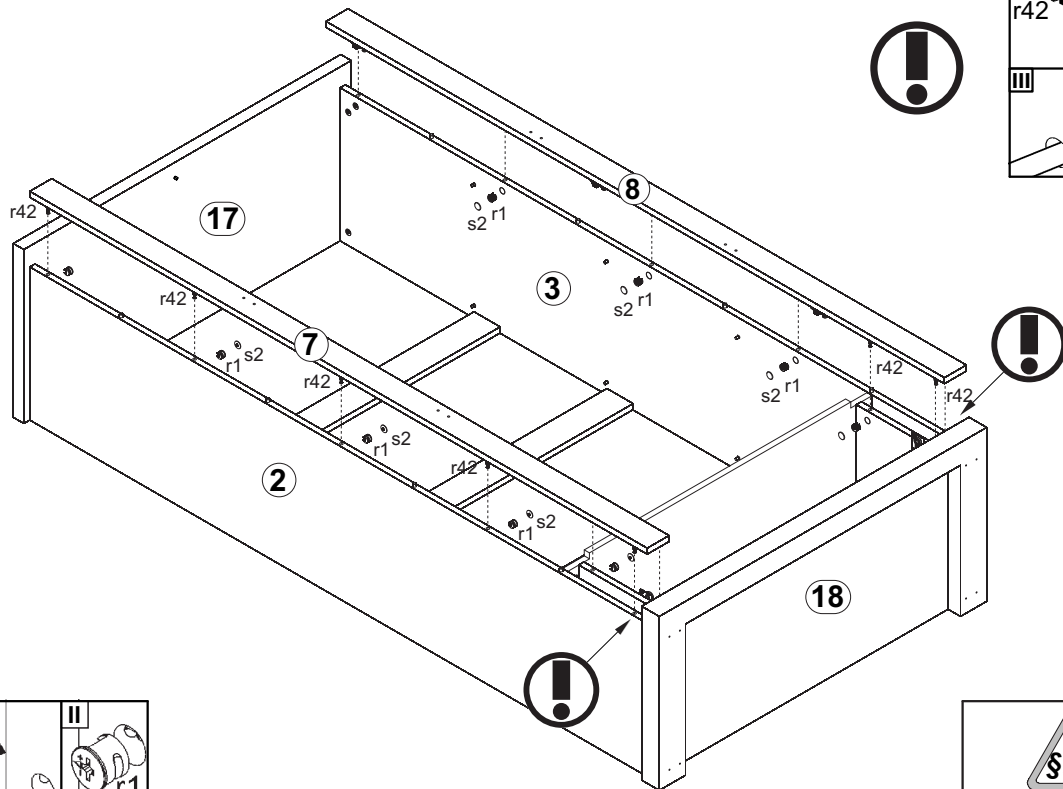
3

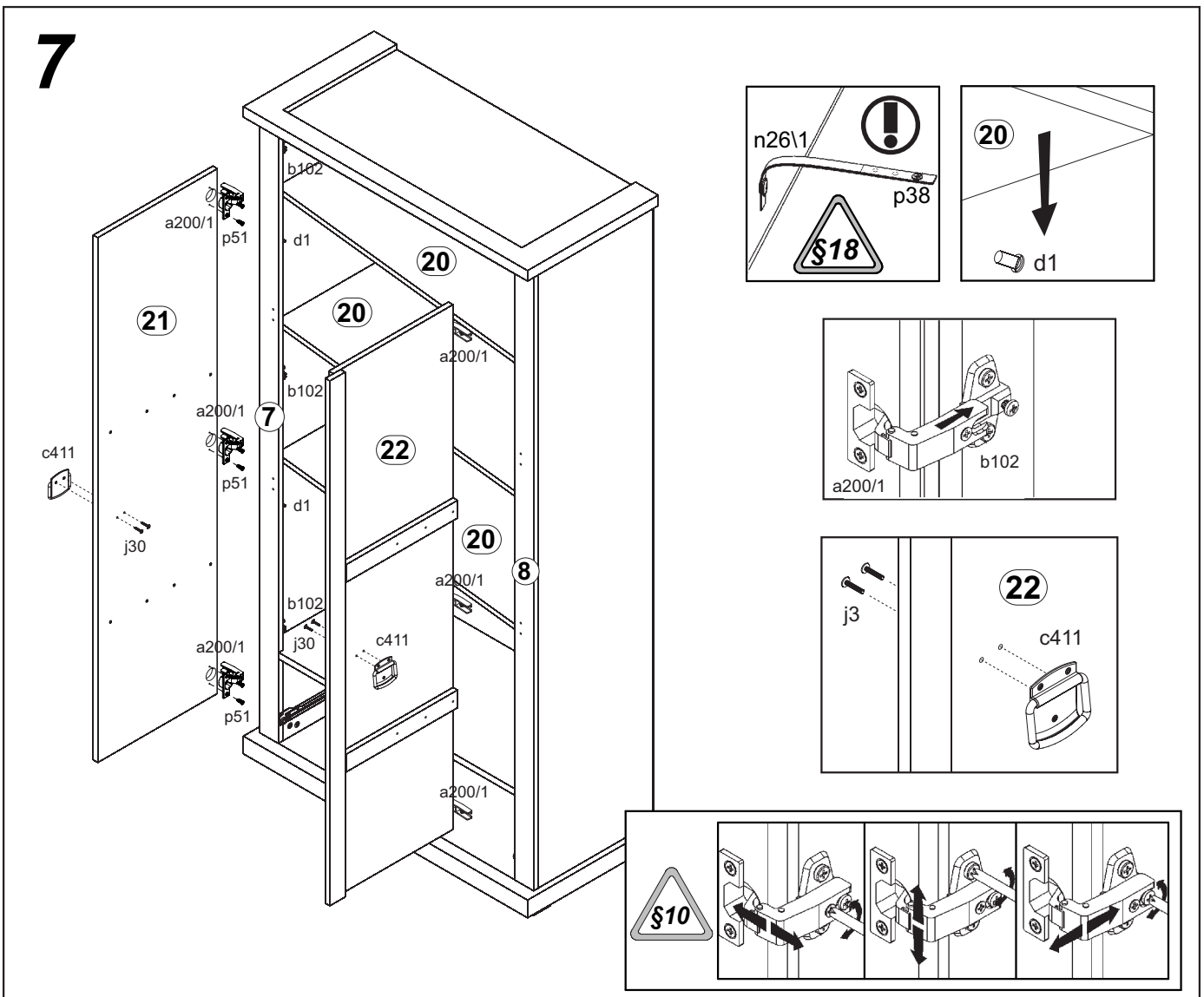
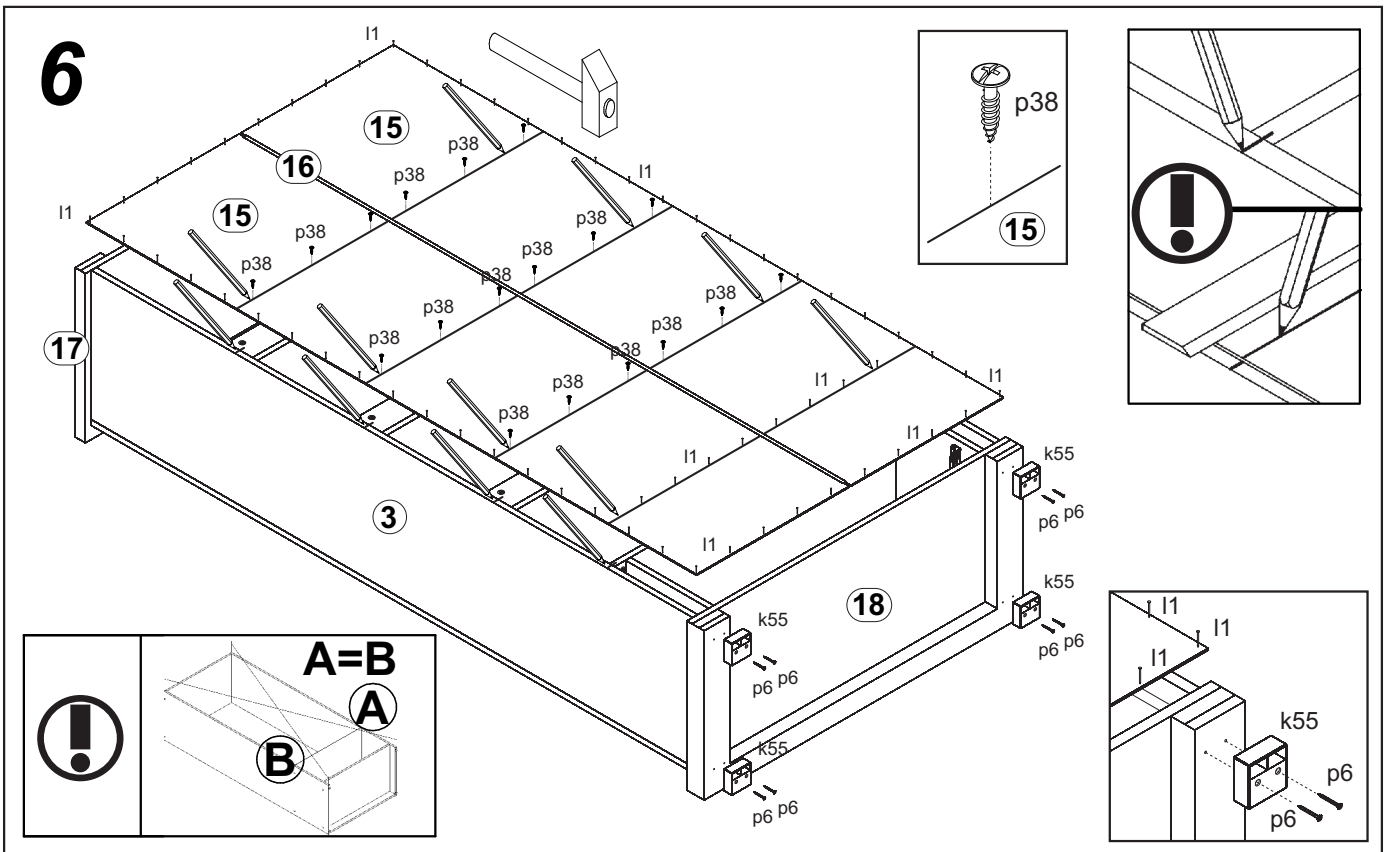


4

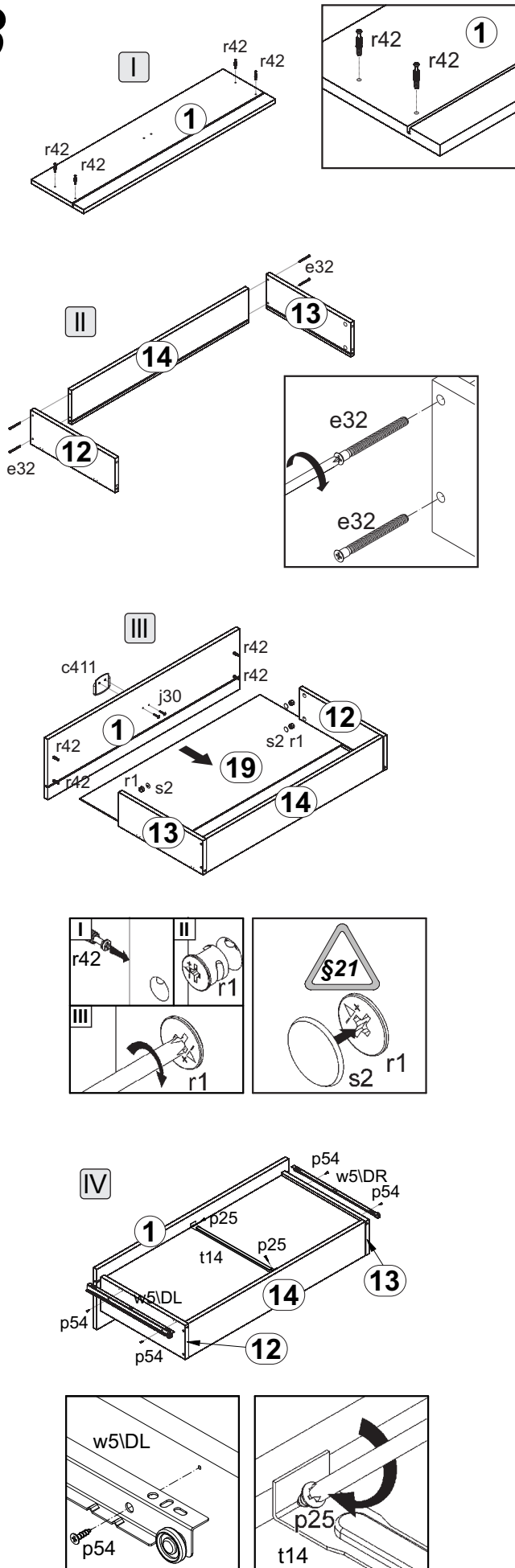


5





8



9

