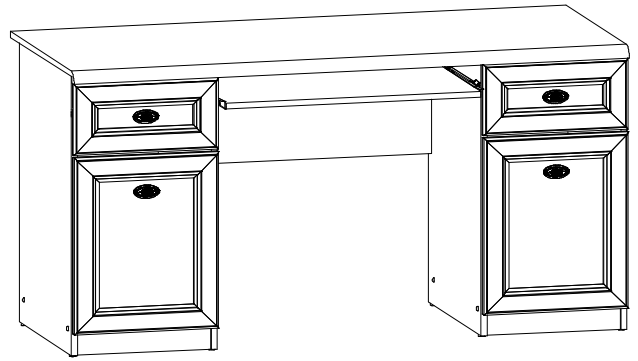
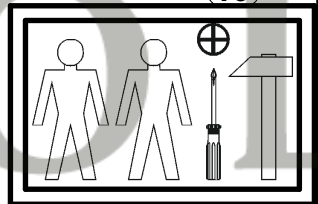
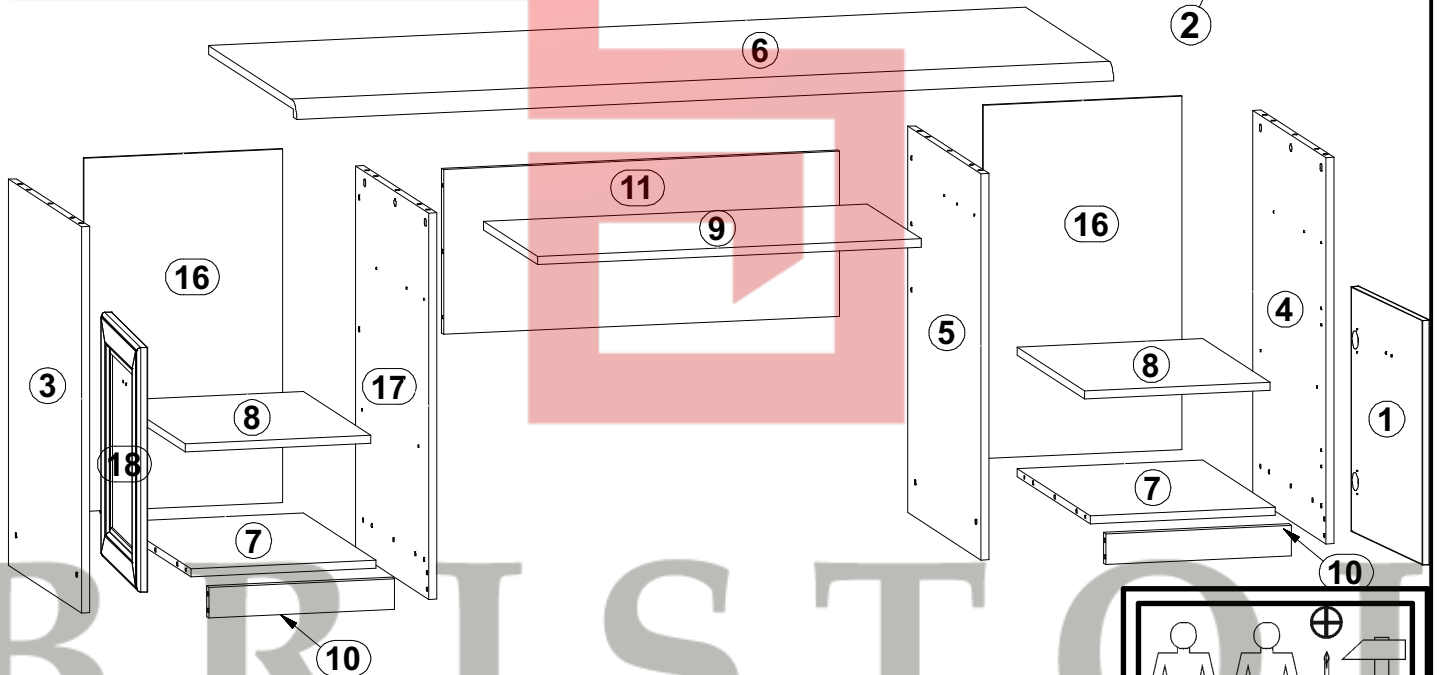
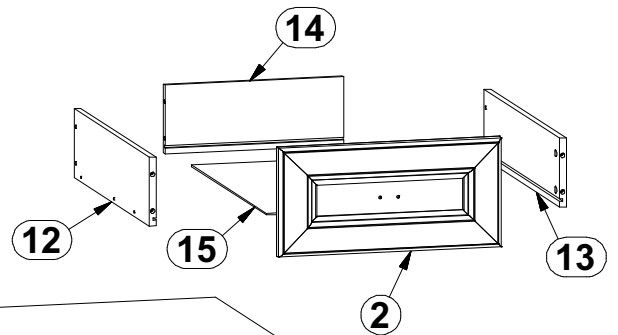


SEVILLA

Biurko 140

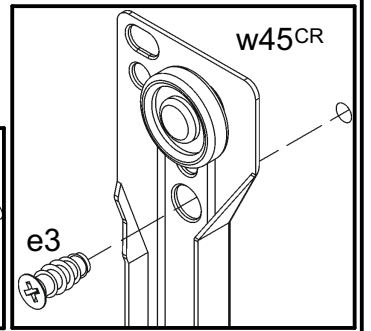
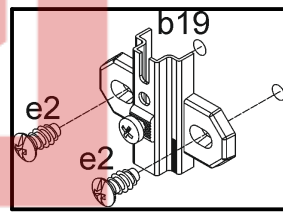
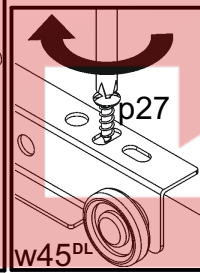
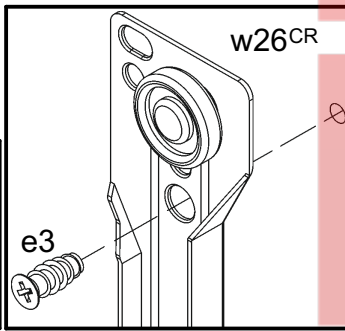
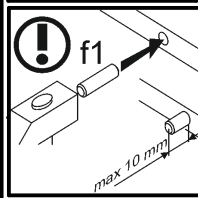
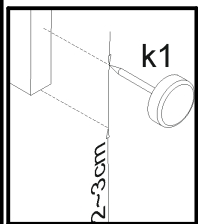
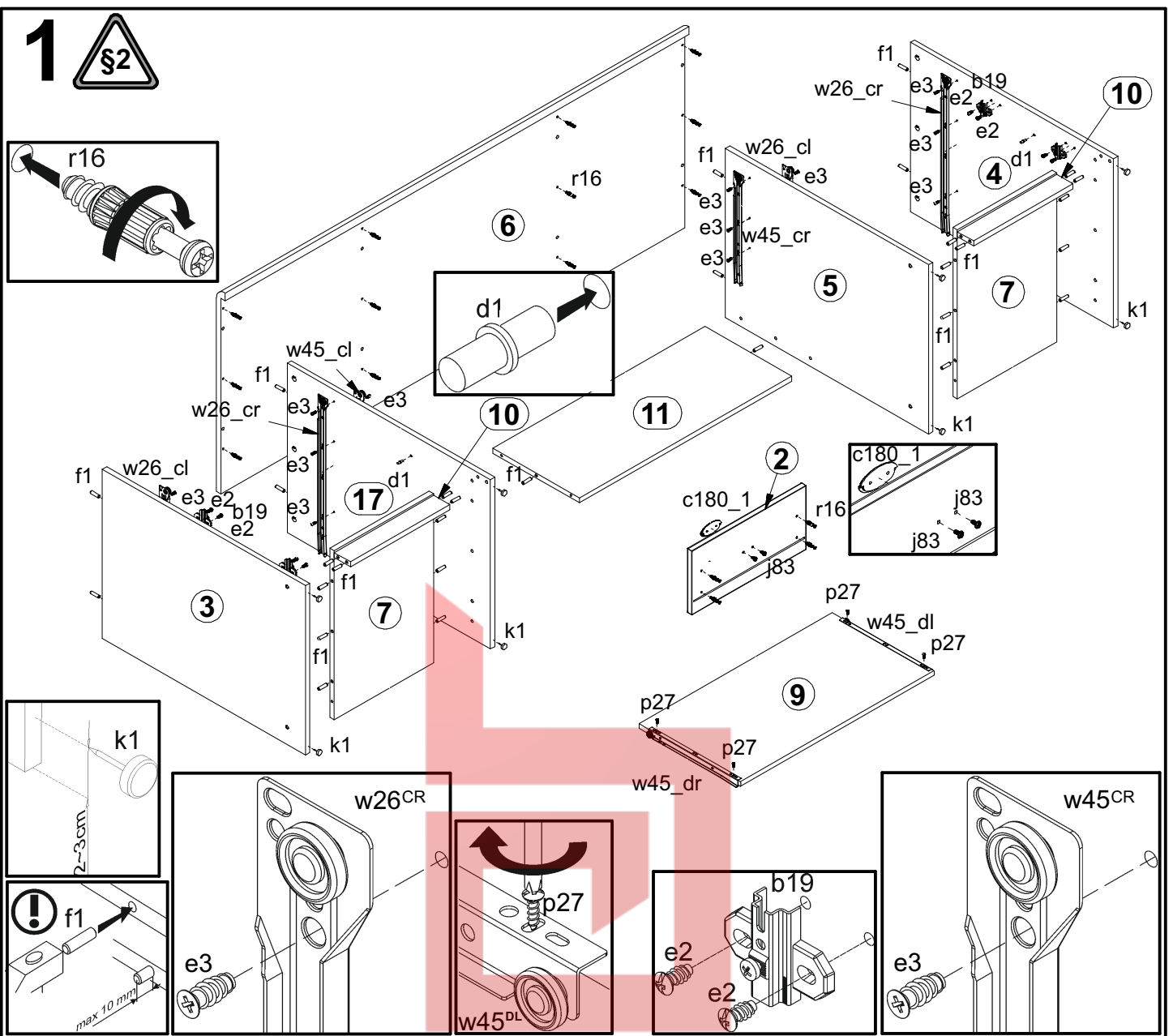
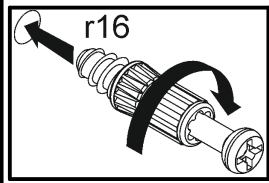


A	B	C	D	
1	S48-005	475	396	4/4
2	S48-008	396	191	4/4
3	S48-163	750	540	1/4
4	S48-104	750	540	1/4
5	S48-105	750	540	1/4
6	S48-231	1400	650	2/4
7	S48-302	367	540	1/4
8	S48-303	367	500	2/4
9	S48-352	576	400	2/4
10	S48-402	367	60	1/4
11	S48-450	601	320	1/4
12	S48-501	500	120	1/4
13	S48-502	500	120	1/4
14	S48-509	318	120	1/4
15	S48-903	329	498	1/4
16	S48-904	687	393	1/4
17	S48-162	750	540	1/4
18	S48-004	475	396	4/4

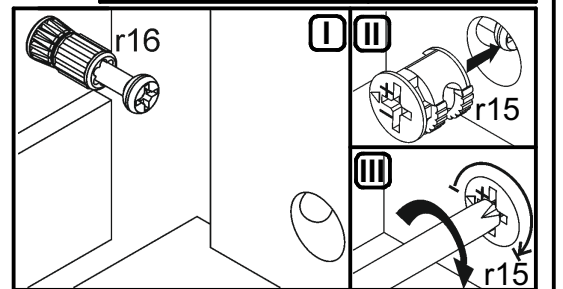
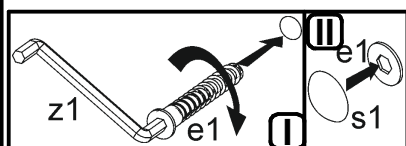
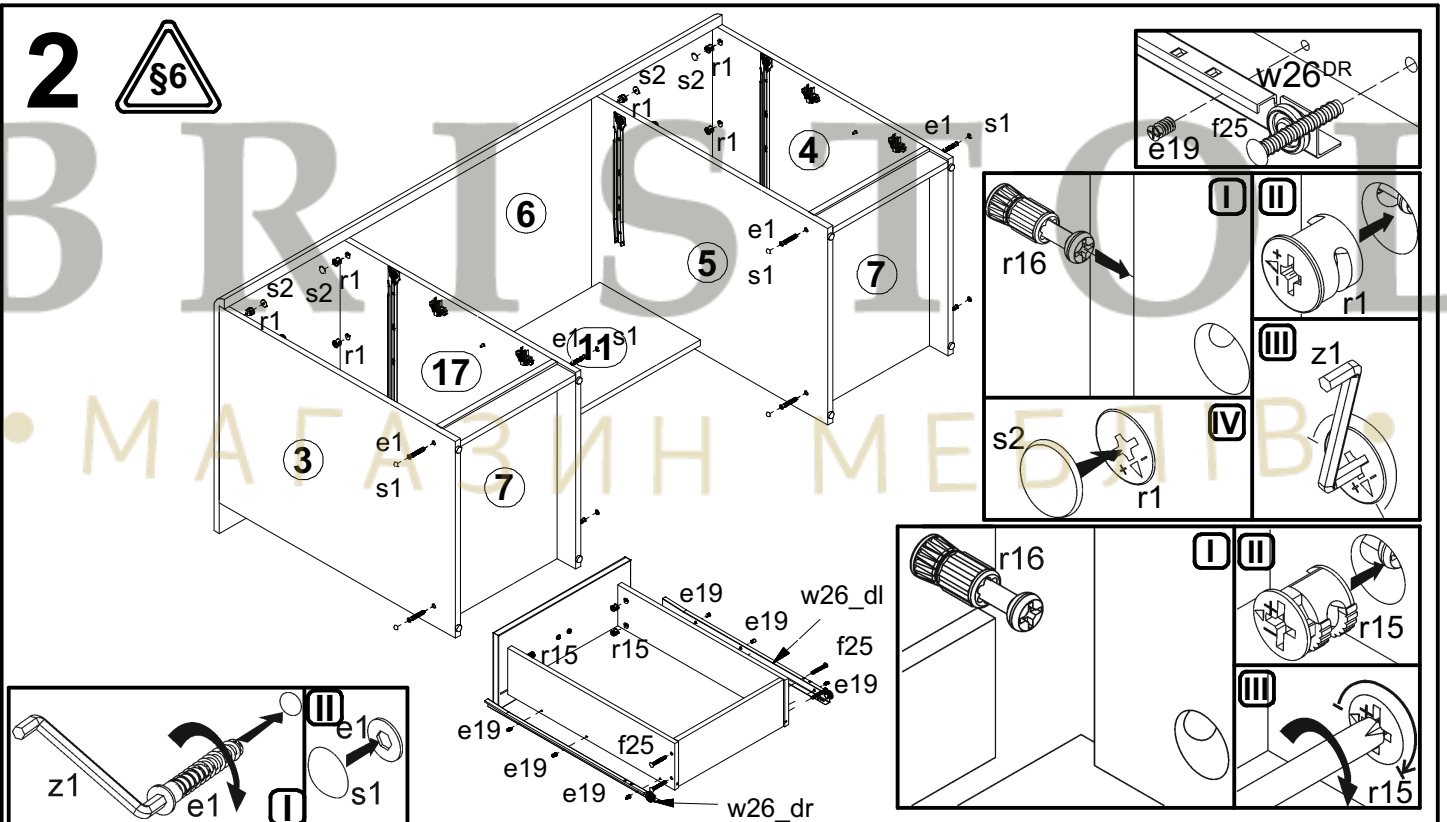


4x a44	4x b19	4x c180' 32 mm	8x d1 φ5x17 mm	12x e1 φ7x50 mm	12x e19 φ5x9 mm	8x e2 φ6,3x13 mm	18x e3 φ6x13 mm	30x f1 φ8x30 mm
8x f25 φ6,5x40 mm	8x j83 M4x16 mm	8x k1	50x l1	4x p27 φ3,5x13 mm	8x p51 φ3,5x15 mm	12x r1 φ1,5x12 mm #16	8x r15 φ1,2x10,5 mm #12	20x r16
8x s1	2x w26 ^{CL} 500 mm	2x w26 ^{CR} 500 mm	2x w26 ^{DL} 500 mm	2x w26 ^{DR} 500 mm	1x w45 ^{CL} 350 mm	1x w45 ^{CR} 350 mm	1x w45 ^{DL} 350 mm	1x w45 ^{DR} 350 mm
1x z1								

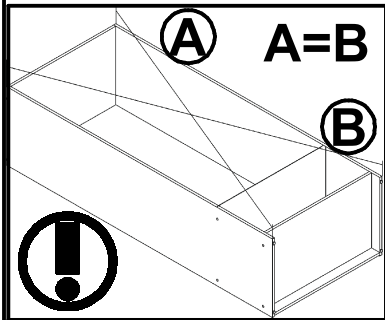
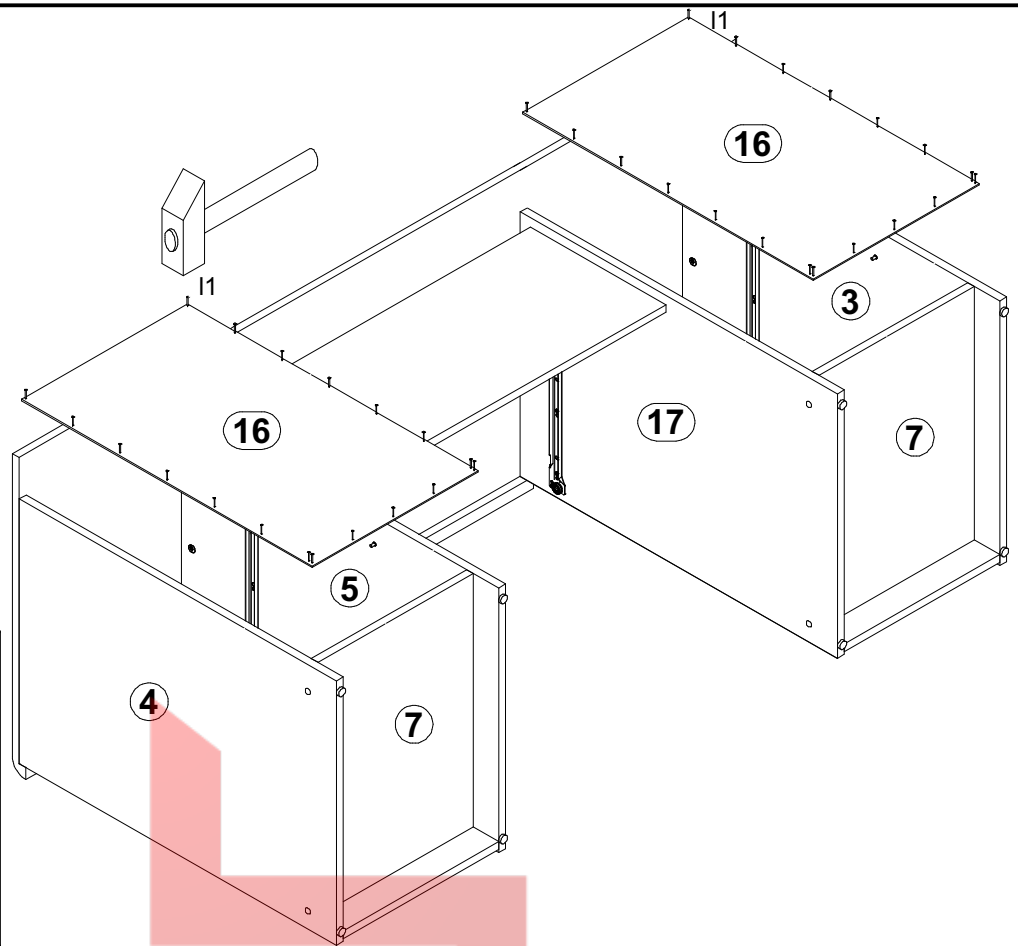
1



2



3



4

