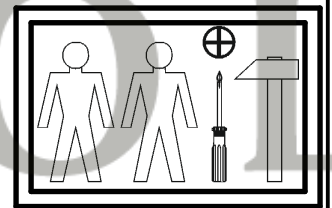
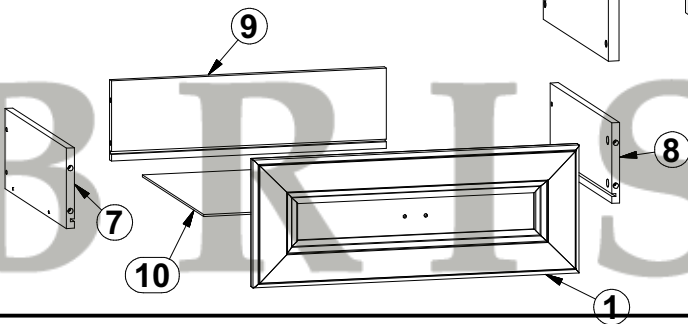
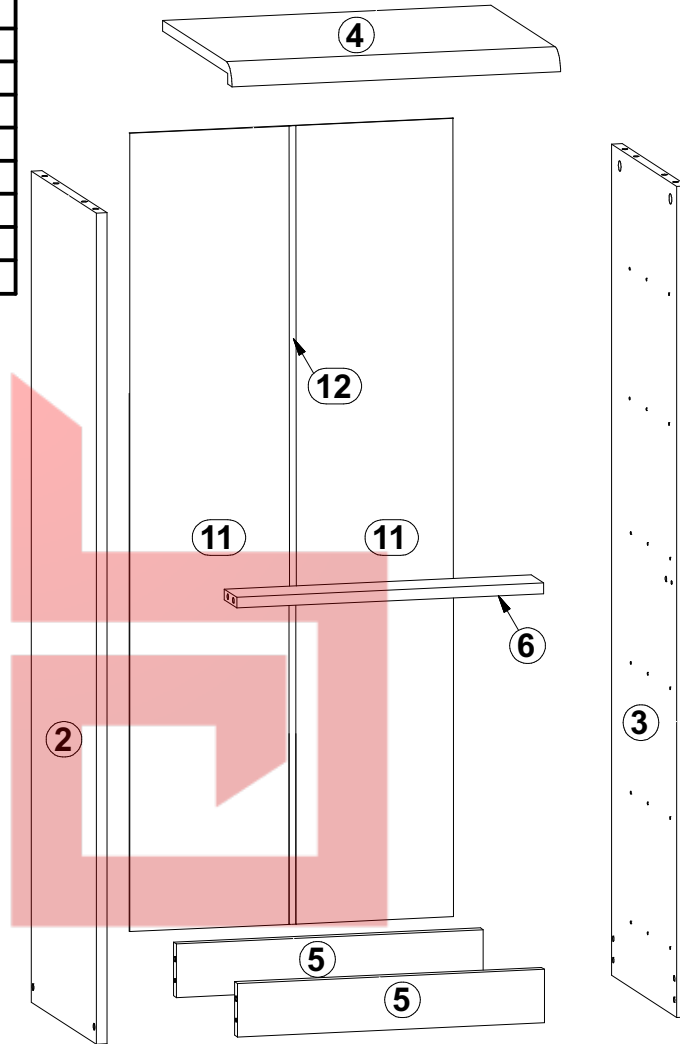
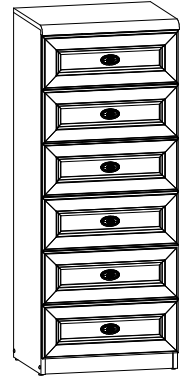


# SEVILLA

KOM6S/50

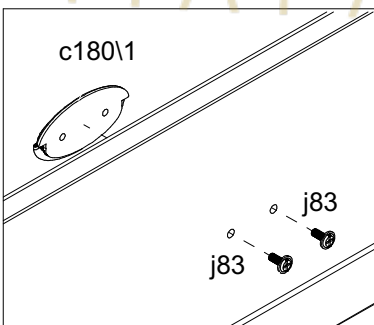
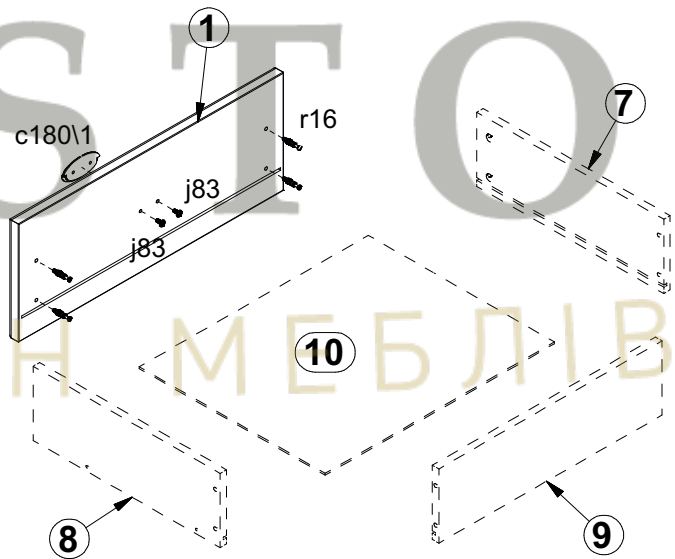
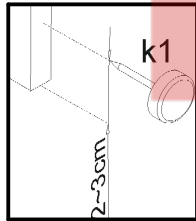
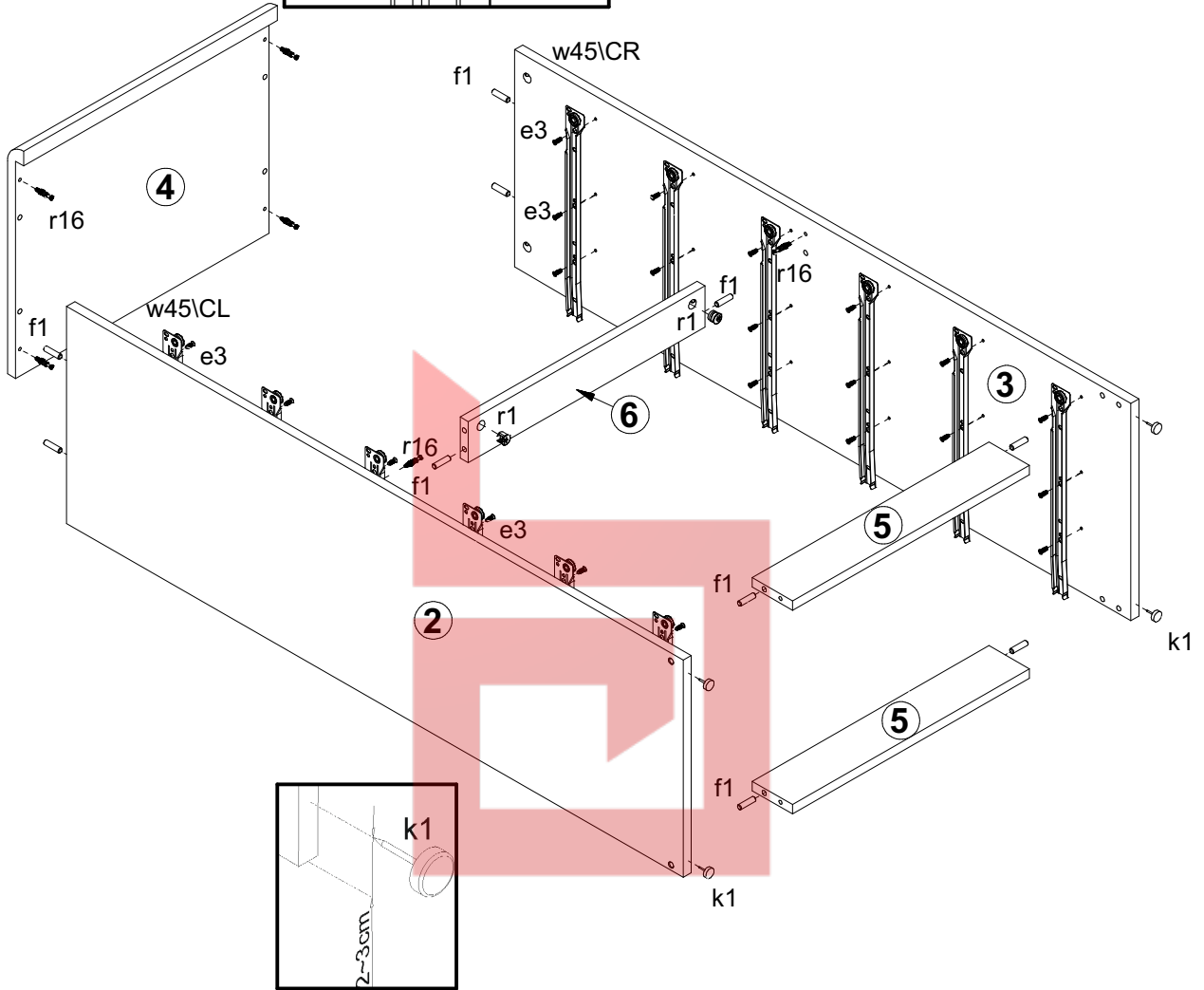
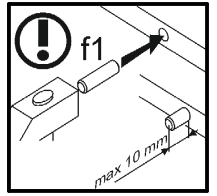
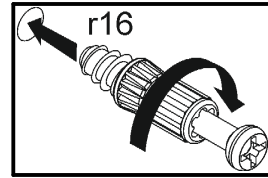
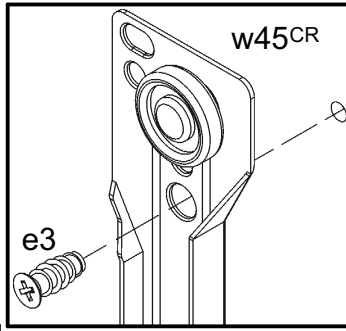


A	B	C	D	
1	S48-017	496	191	4/4
2	S48-164	1241	370	1/4
3	S48-165	1241	370	1/4
4	S48-214	500	395	2/4
5	S48-406	467	80	2/4
6	S48-413	467	70	1/4
7	S48-507	350	120	1/4
8	S48-508	350	120	1/4
9	S48-510	418	120	1/4
10	S48-911	429	348	1/4
11	S48-1952	1192	246	1/4
12	Lh-1162	1162	14	1/4

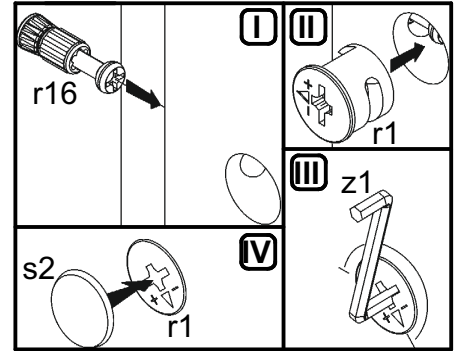
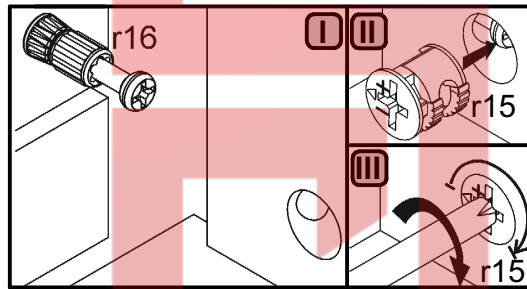
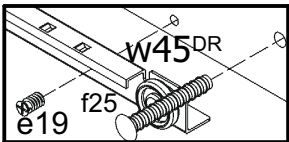
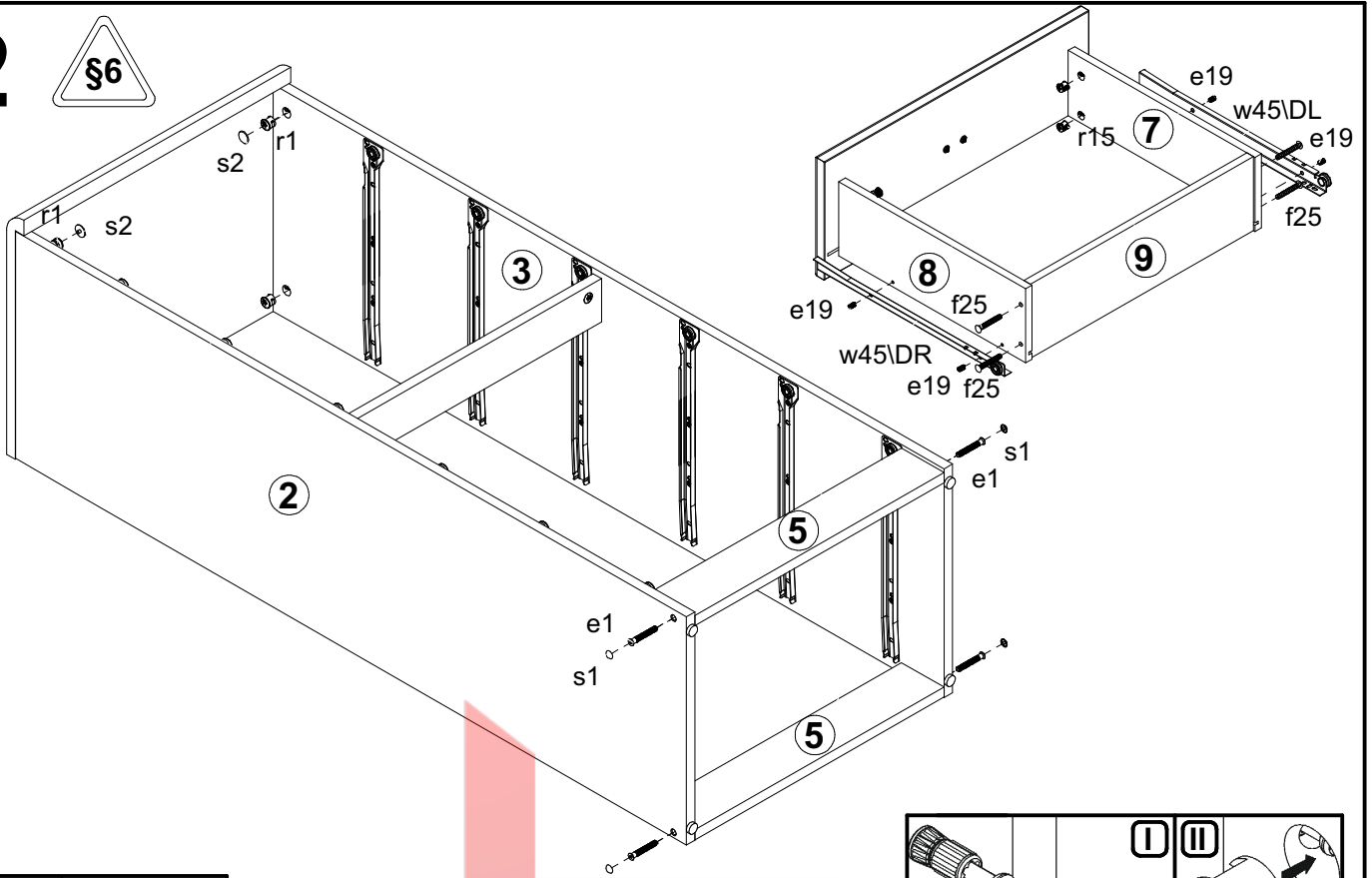


6x 32 mm <b>c180<sup>1</sup></b>	4x $\phi 7 \times 50$ mm <b>e1</b>	24x $\phi 5 \times 9$ mm <b>e19</b>	36x $\phi 6 \times 13$ mm <b>e3</b>	10x $\phi 8 \times 30$ mm <b>f1</b>	24x $\phi 6.5 \times 40$ mm <b>f25</b>	12x M4x16 mm <b>j83</b>	4x <b>k1</b>	35x <b>l1</b>
4x $\phi 3.5 \times 16$ mm <b>p38</b>	6x $\phi 1.5 \times 12$ mm #16 <b>r1</b>	24x $\phi 12 \times 10.5$ mm #12 <b>r15</b>	30x <b>r16</b>	4x <b>s1</b>	2x $\phi 16$ <b>s2</b>	6x 350 mm <b>w45<sup>CL</sup></b>	6x 350 mm <b>w45<sup>CR</sup></b>	6x 350 mm <b>w45<sup>DL</sup></b>
6x 350 mm <b>w45<sup>DR</sup></b>	1x <b>z1</b>	1x <b>n26<sup>1</sup></b>	1x $\phi 3.5 \times 16$ mm <b>p38</b>					

1



# 2



# 3

