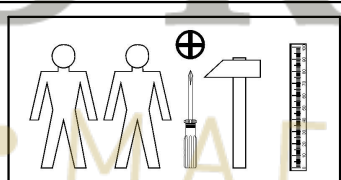
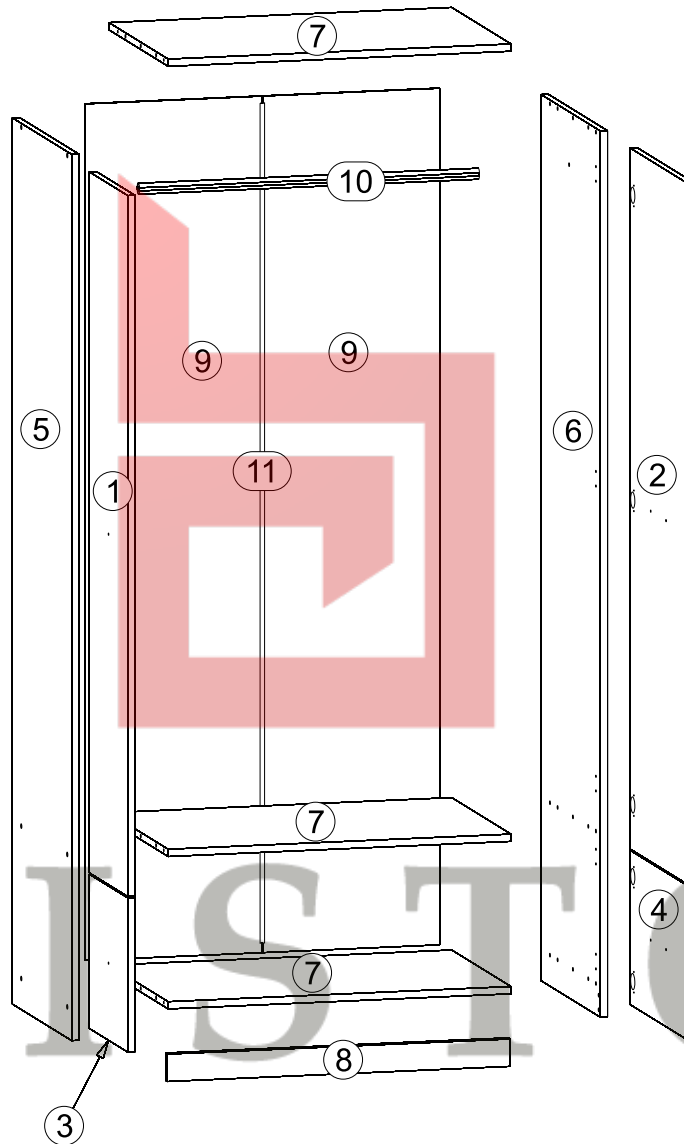
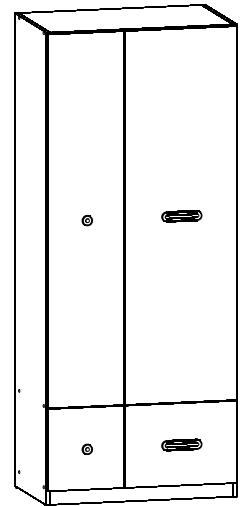
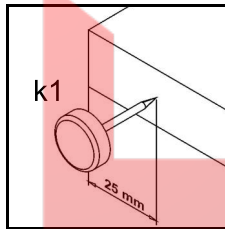
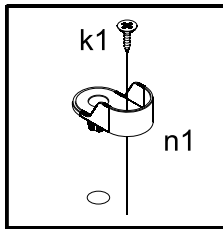
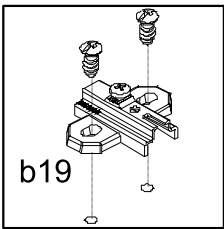
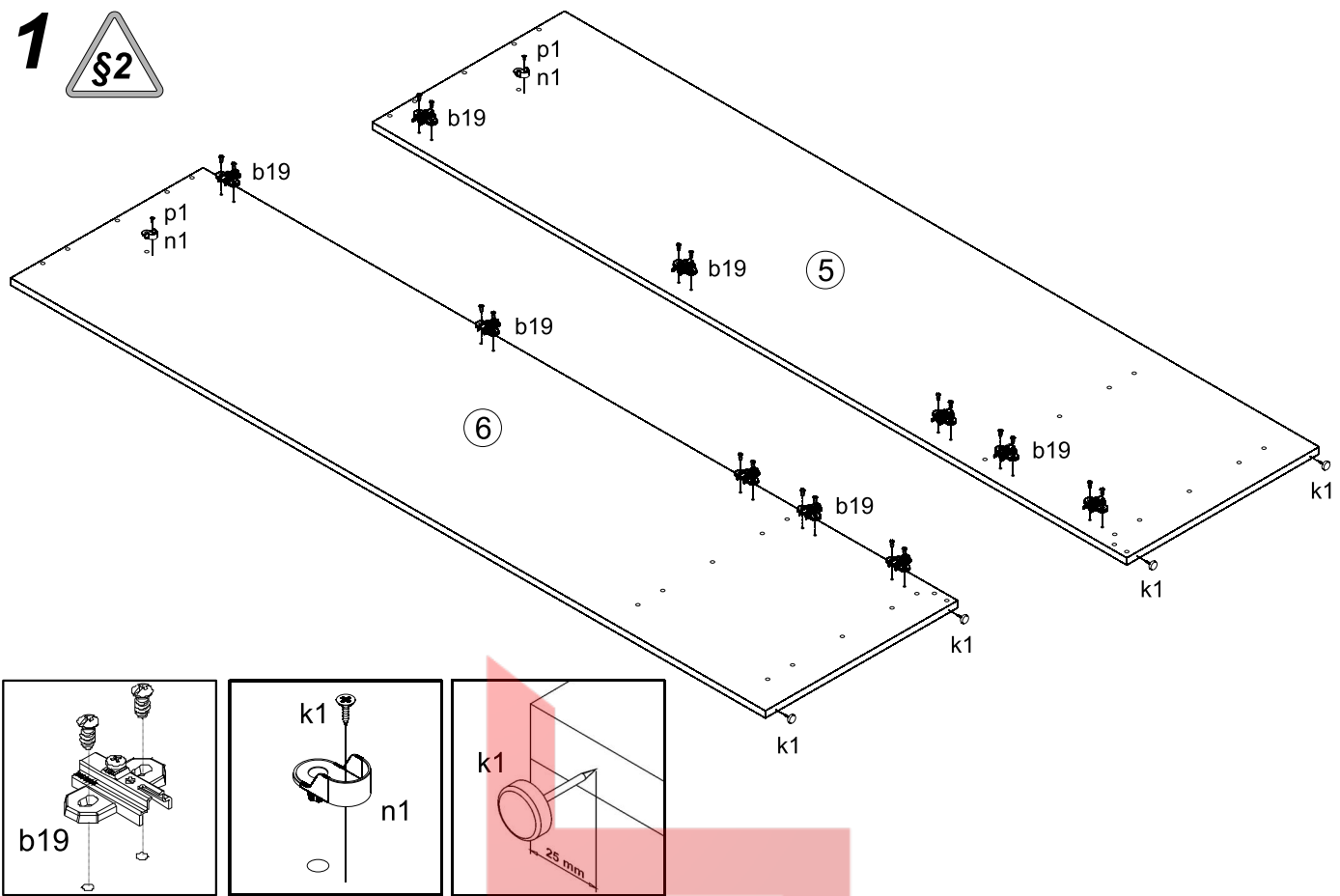


A	B	C		D
1	S49-003	1536	320	4/4
2	S49-004	1536	472	4/4
3	S49-005	338	320	3/4
4	S49-006	338	472	3/4
5	S49-104	1942	495	1/4
6	S49-105	1942	495	1/4
7	S49-303	767	495	2/4
8	S49-406	767	60	2/4
9	S49-903-01	1877	396	1/4
10	dr-762	762	24	2/4
11	lh-1848	1848	14	1/4

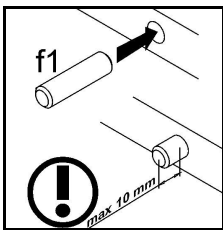
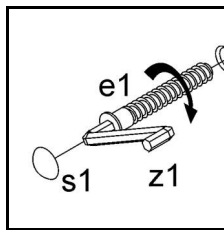
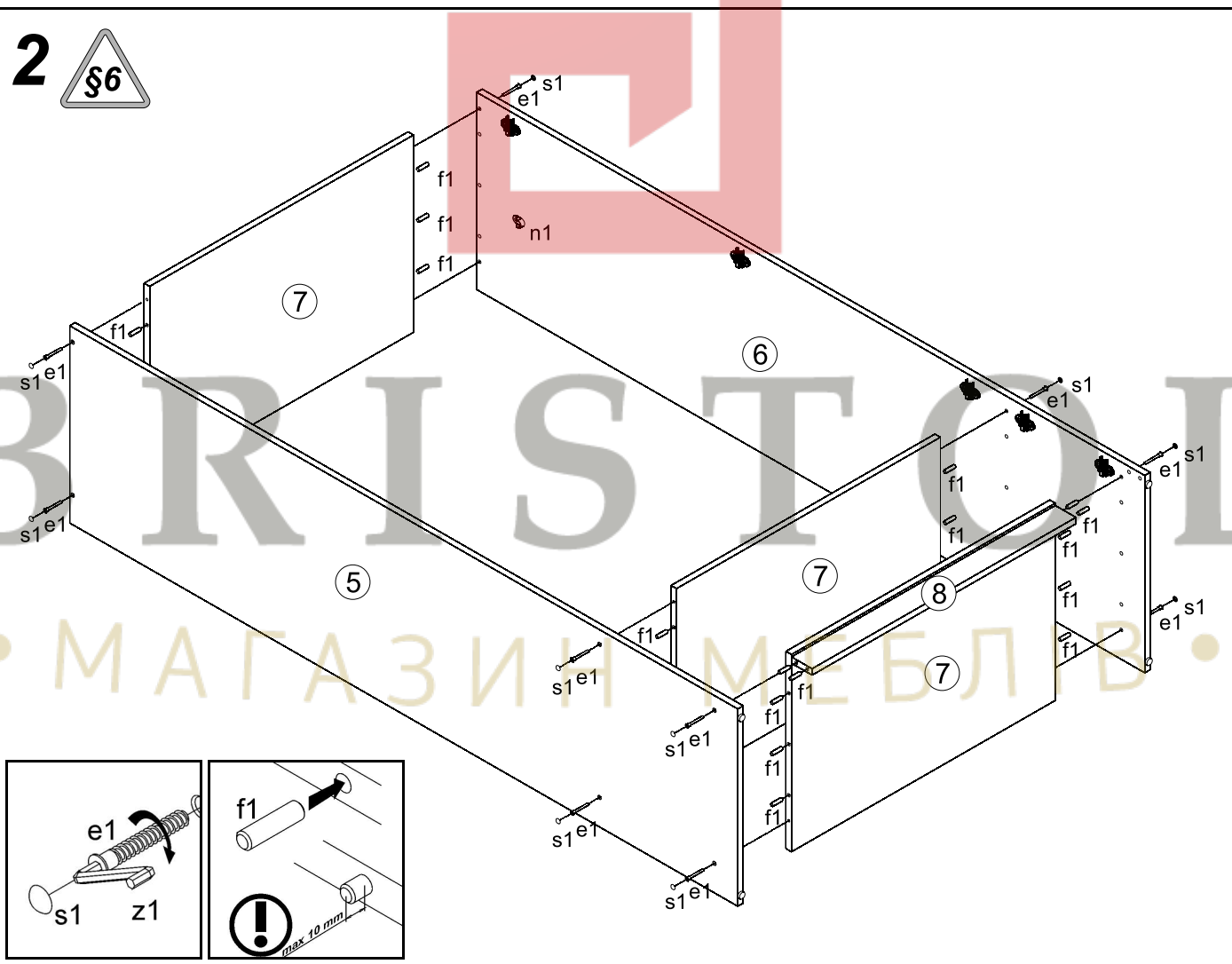


10x a44	10x b19	2x c176/1	2x 128 mm c176/2	12x φ7x50 mm e1	22x φ8x30 mm f1	4x k1	70x l1
2x n1	1x n2611	2x φ3,5x13 mm p1	6x φ4x30 mm p9	1x φ3,5x16 mm p38	20x φ3,5x15 mm p51	12x s1	1x z1

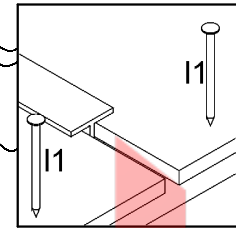
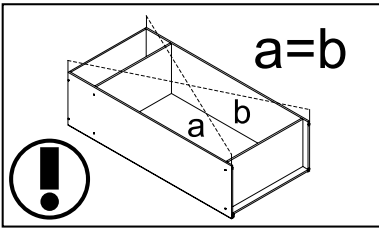
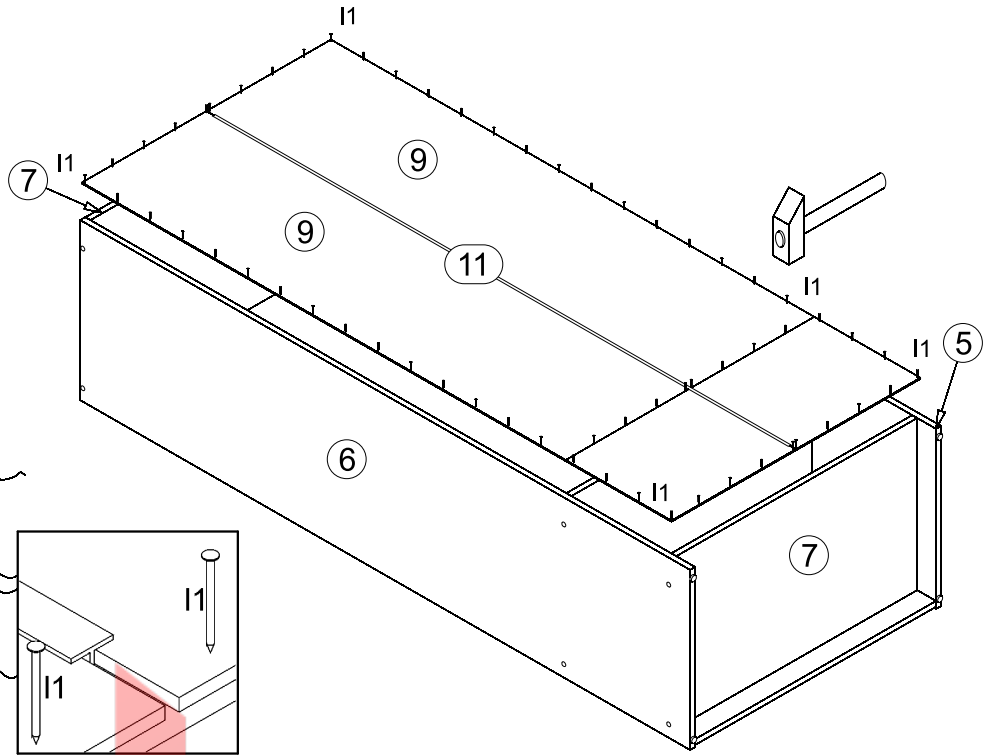
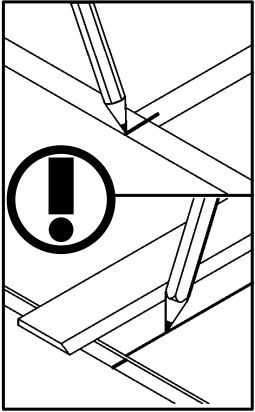
1



2



3



4

