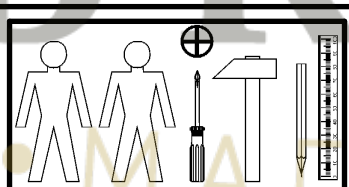
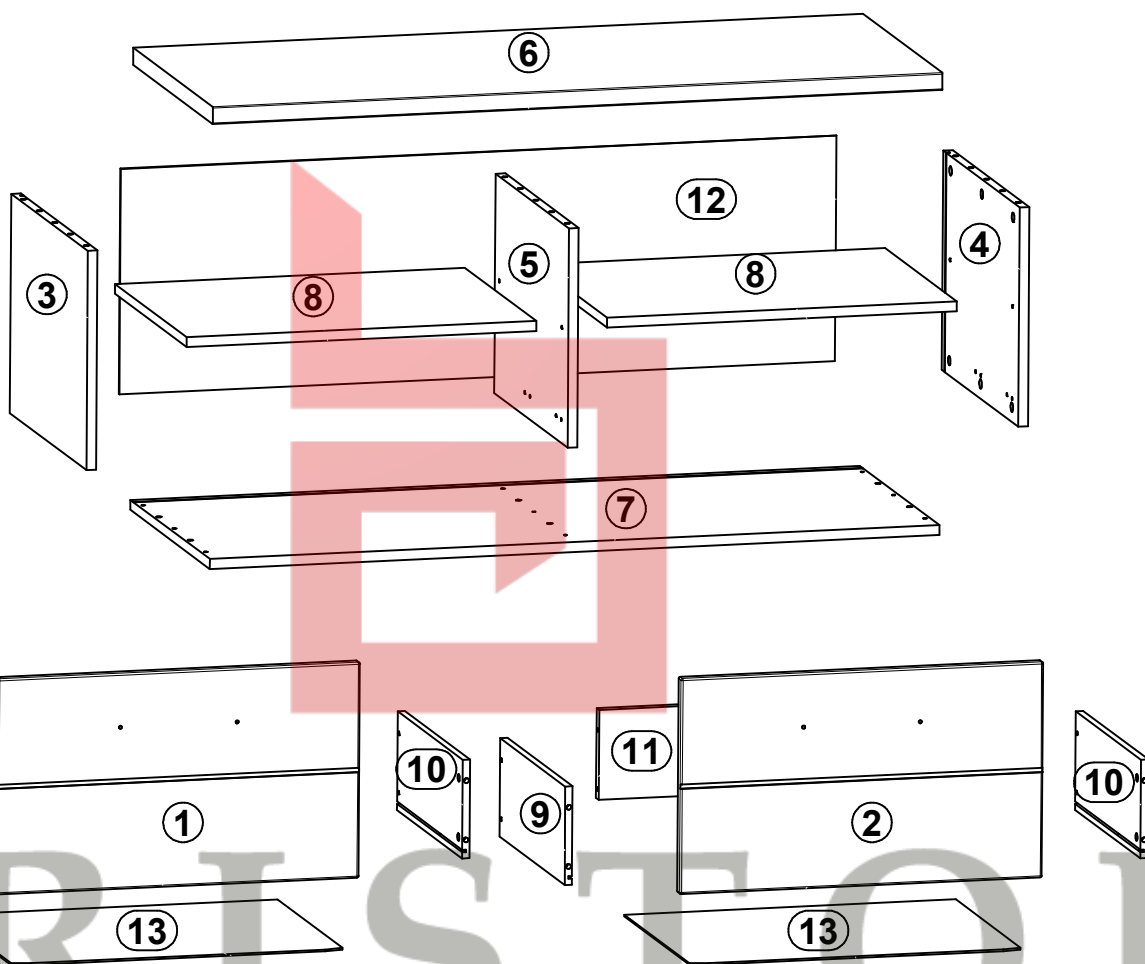
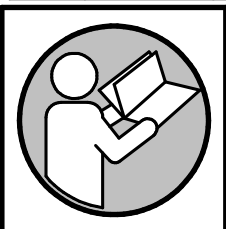
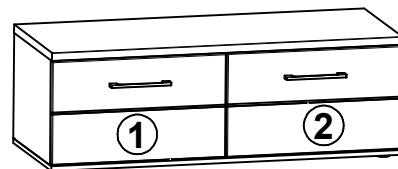


10 30 WW 32/36

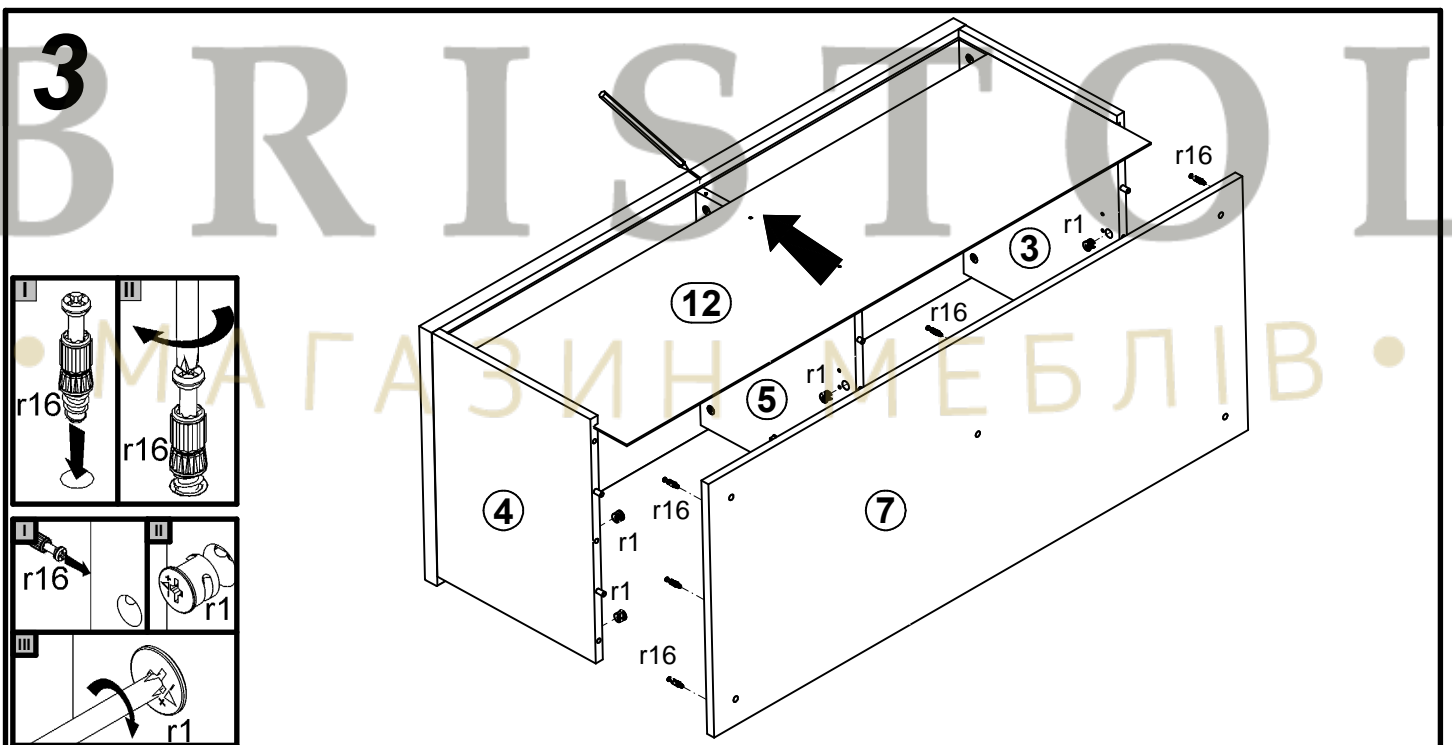
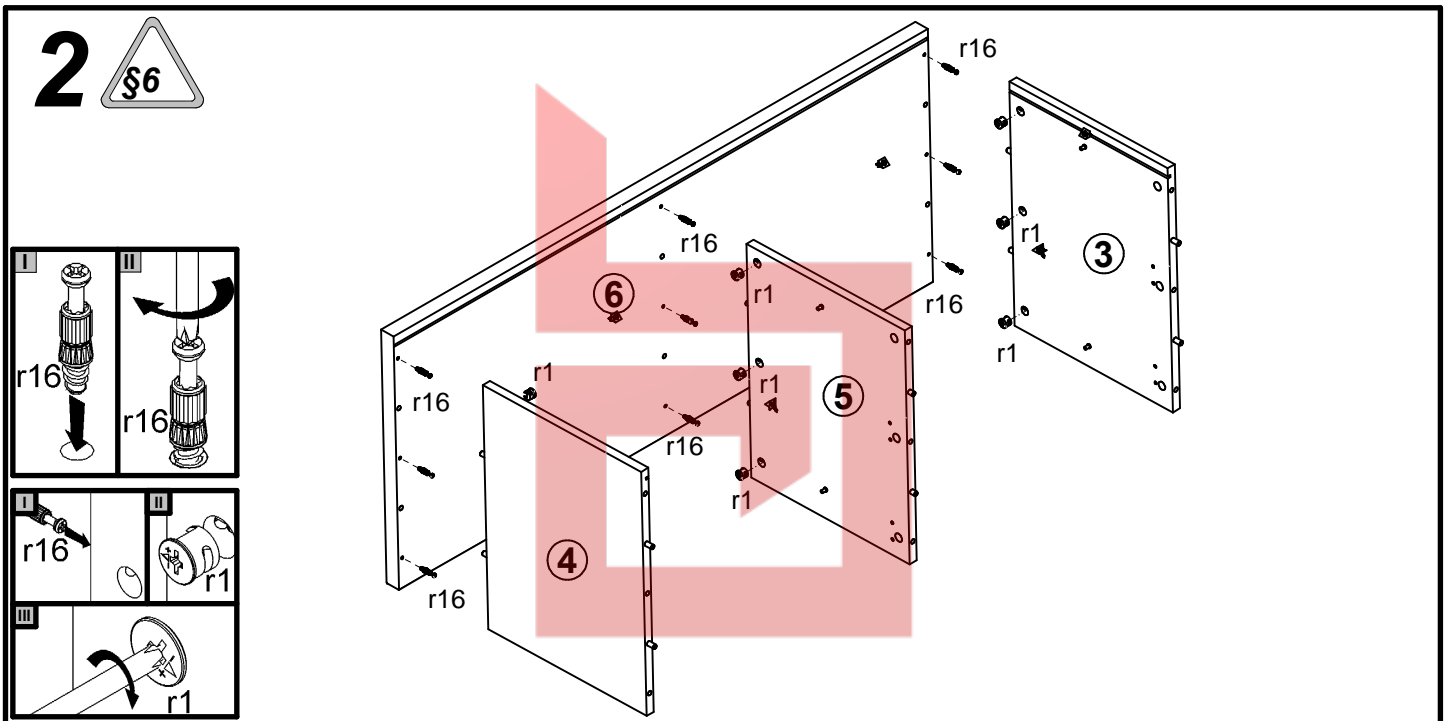
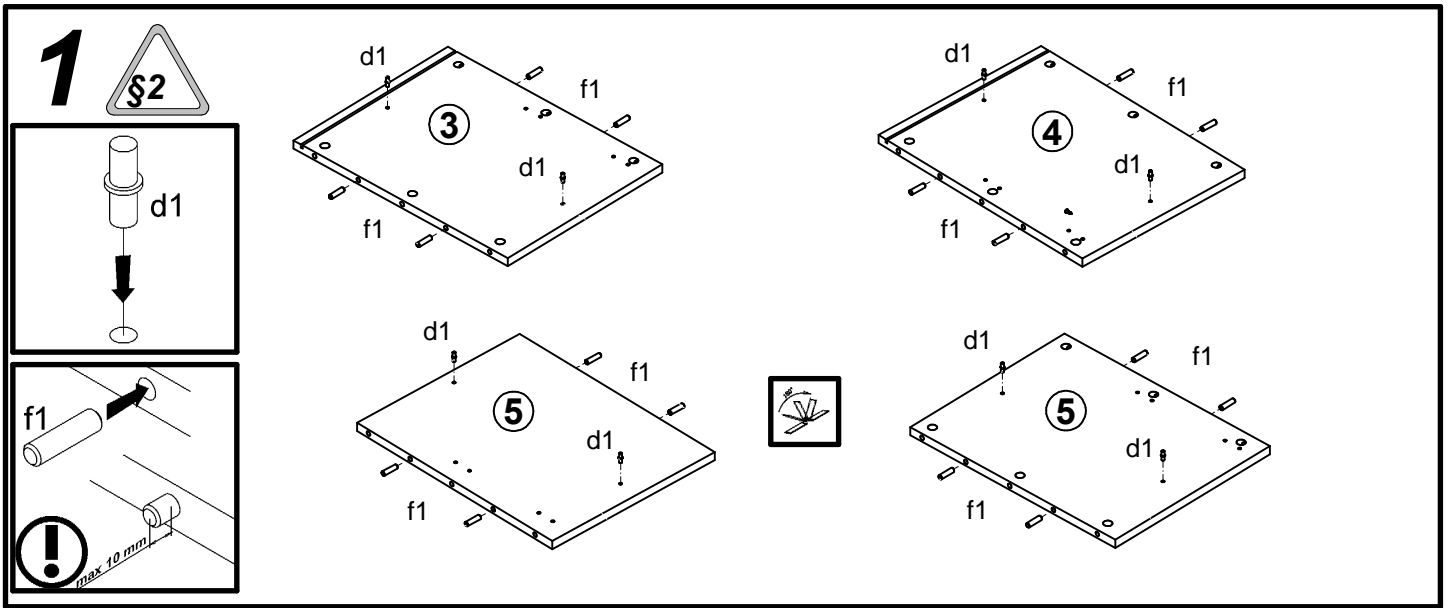
S117-RTV2S/4/12

10 30 NW 32

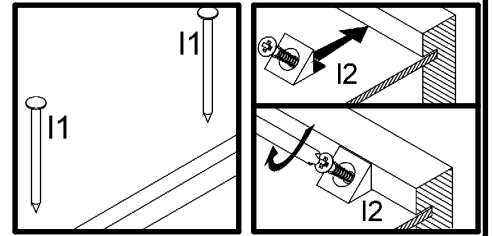
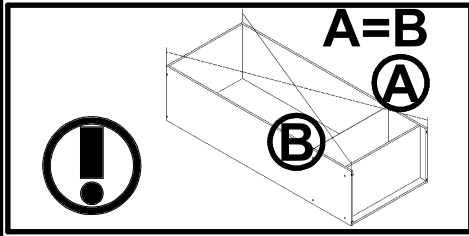
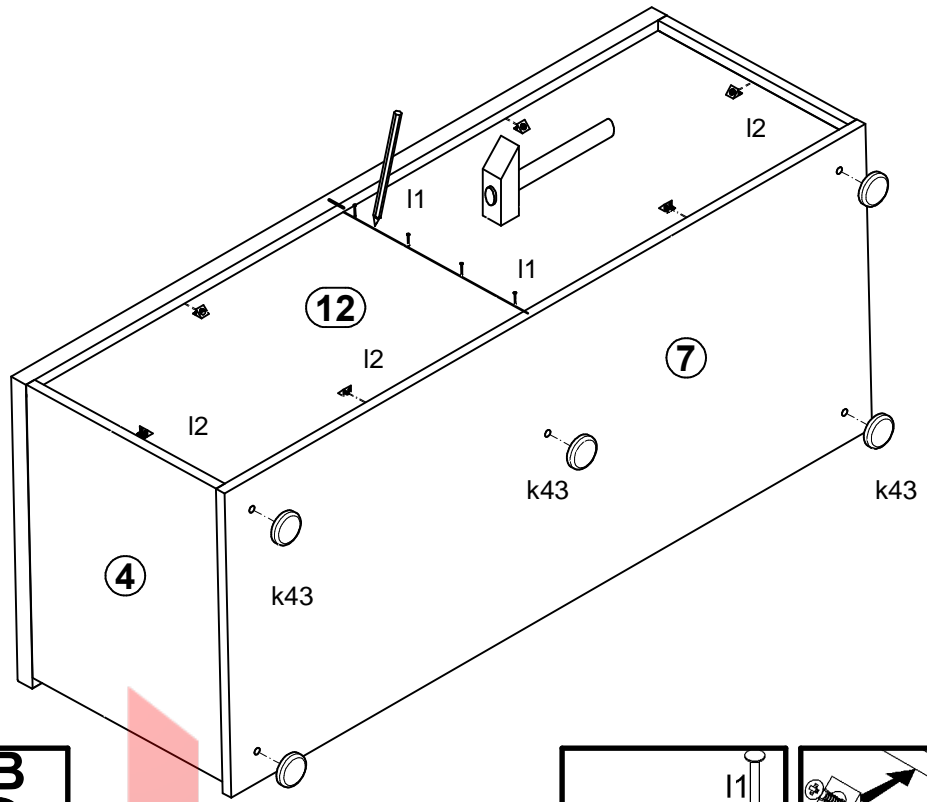
A	B	C	D	A	B	C	D		
1	S117-002	596	350	1/1	8	S117-302A	575	440	1/1
2	S117-003	596	350	1/1	9	S117-501	400	160	1/1
3	S117-101A	356	470	1/1	10	S117-502	400	160	1/1
4	S117-102A	356	470	1/1	11	S117-507	535	146	1/1
5	S117-106A	356	450	1/1	12	S117-904	1177	366	1/1
6	S117-206A	1200	488	1/1	13	S117-905	545	406	1/1
7	S117-207A	1200	488	1/1					



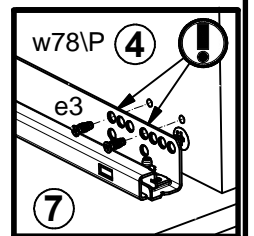
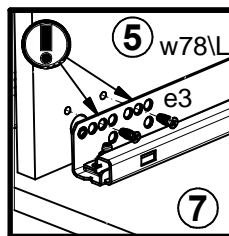
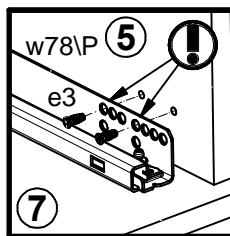
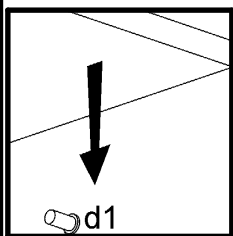
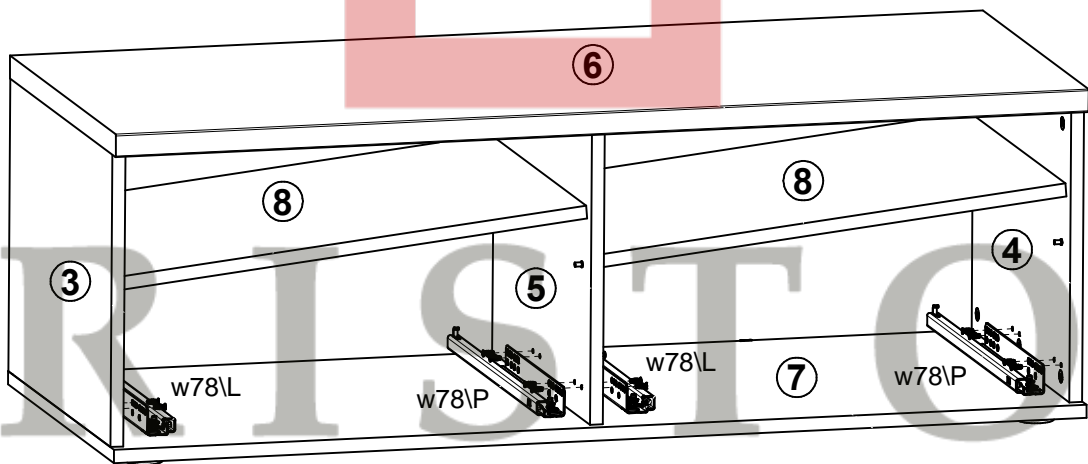
2x c306	8x φ5x17 mm d1	16x φ6x13 mm e3	12x φ8x30 mm f1	8x φ6.5x40 mm f25	4x M4x25 mm j8	5x k43	4x l1	4x sibkon o21
2x φ3.5x16 mm p25	2x φ3.5x10 mm p35	8x φ3.5x16 mm p38	18x φ1.5x12mm #16 r1	8x φ12x10.5mm #12 r15	26x r16	2x 400 mm t33	2x 400 mm w78/L	2x 400 mm w78/P
6x i2								



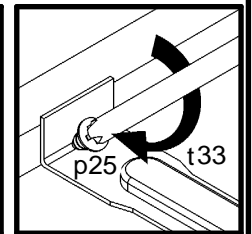
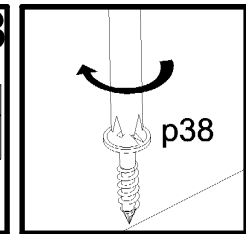
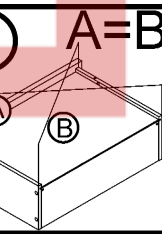
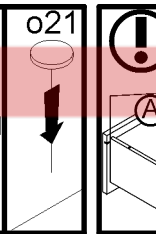
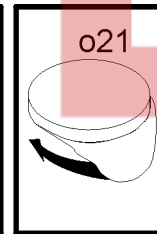
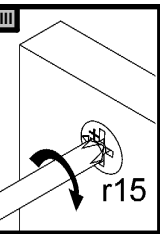
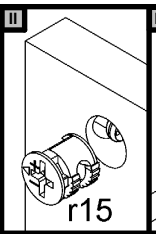
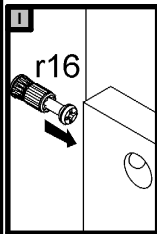
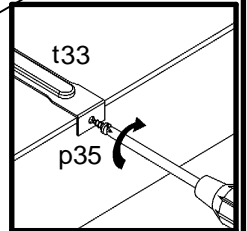
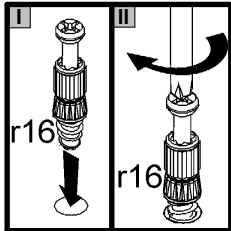
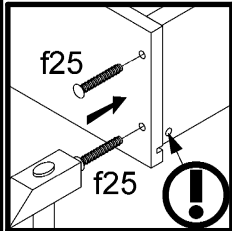
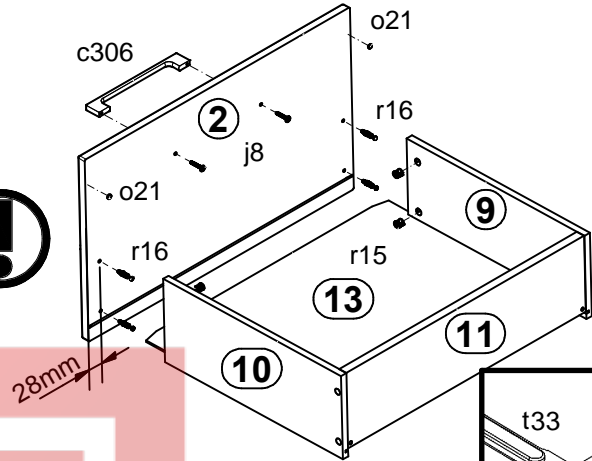
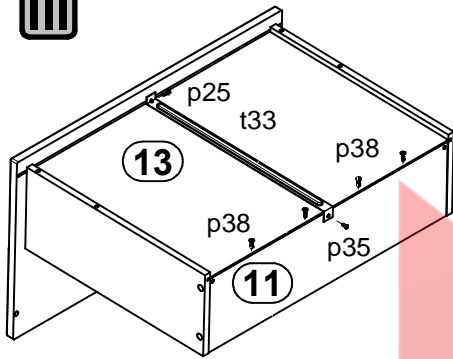
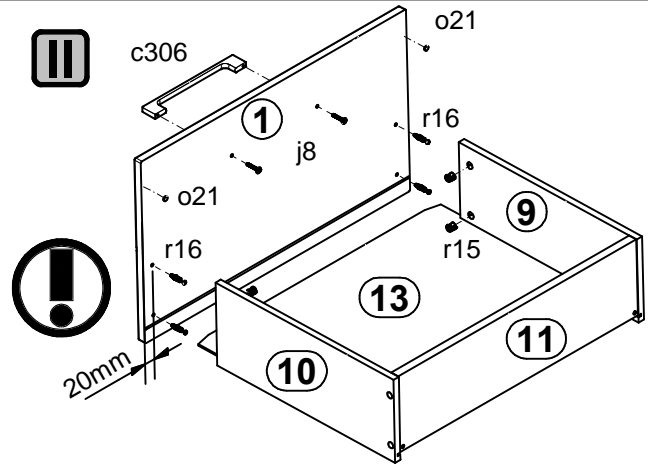
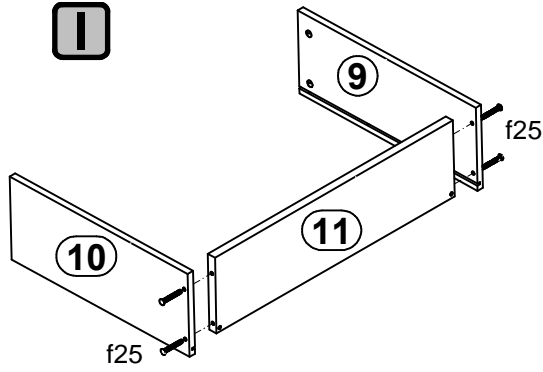
4



5



6



7

