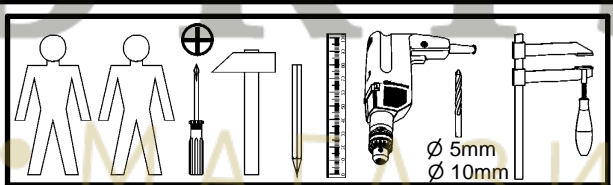
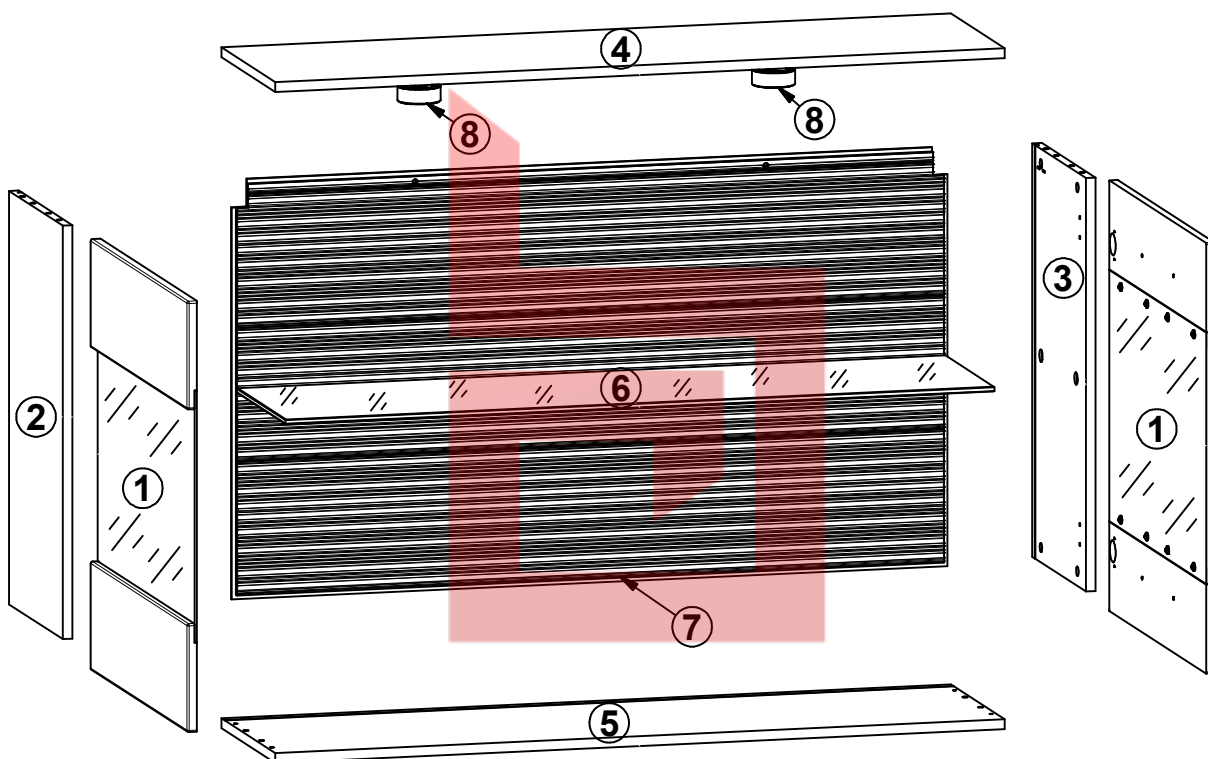
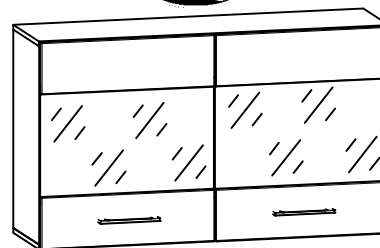
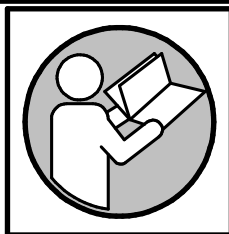


# 10 30 WW 11

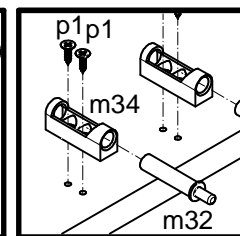
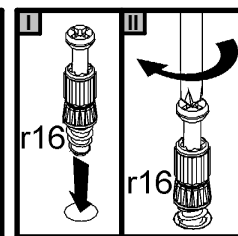
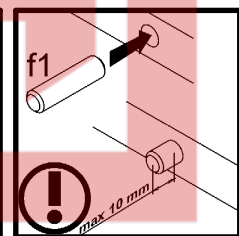
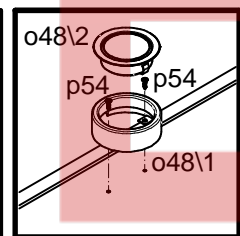
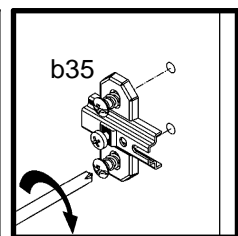
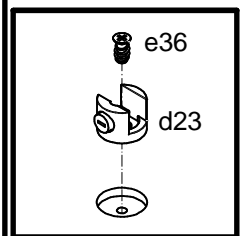
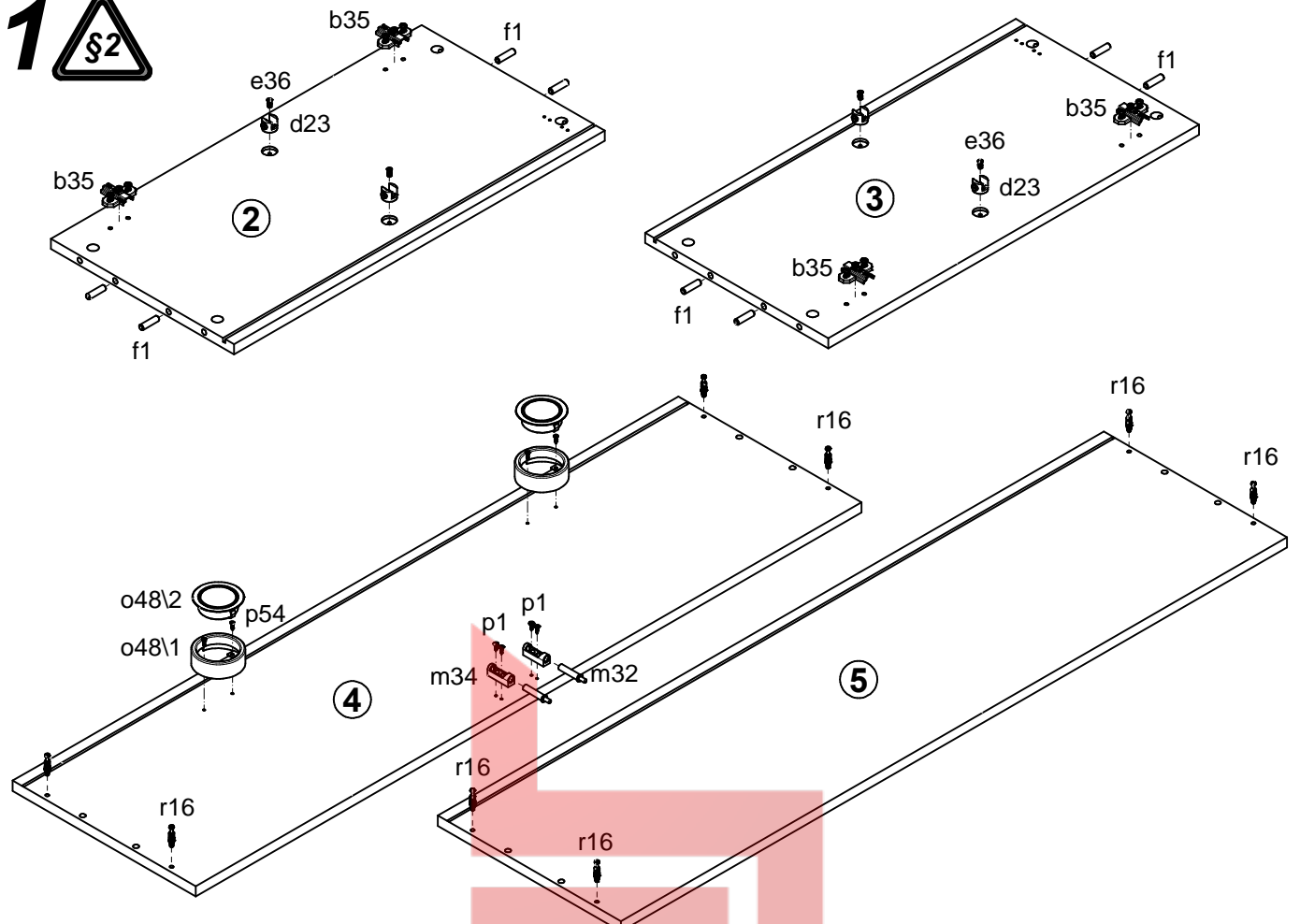
# S117-SFW2W/7/12 - B

A	B	C	D
1	S117-011A	696	596 2/2
2	S117-113	668	330 1/2
3	S117-114	668	330 1/2
4	S117-211	1200	330 1/2
5	S117-216	1200	330 1/2
6	S117-307	1166	298 1/2
7	S117-452	1177	678 2/2
8	qb29\2	LED	1/2

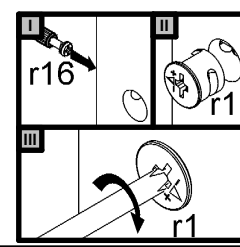
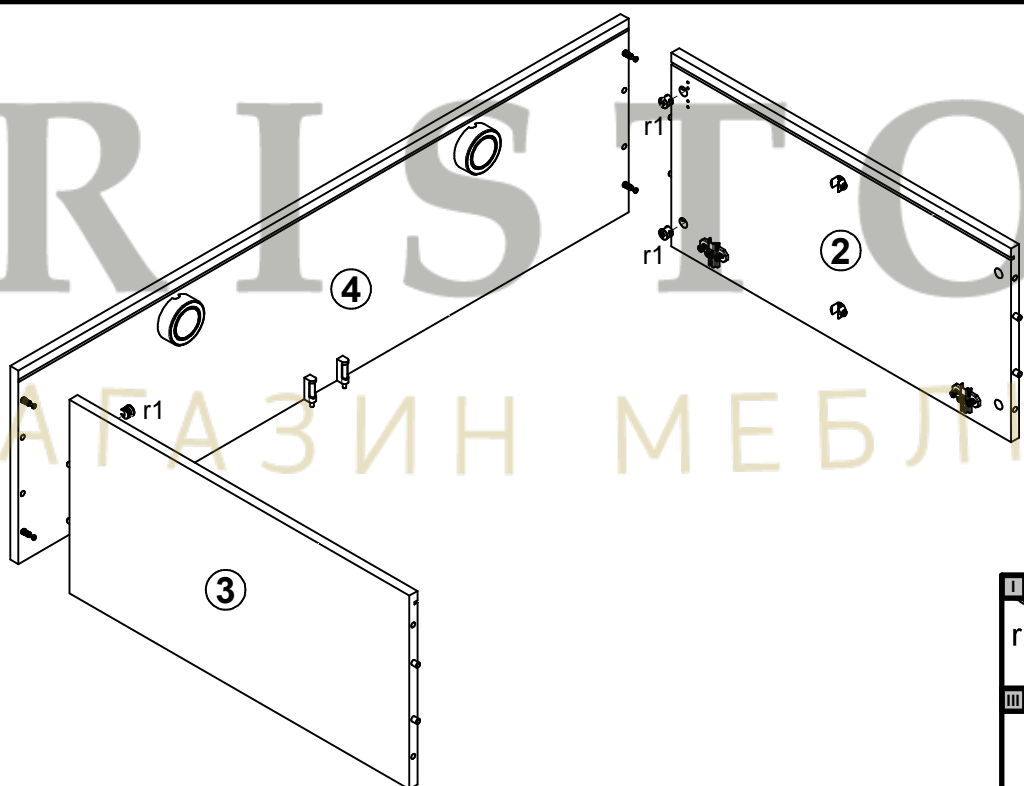


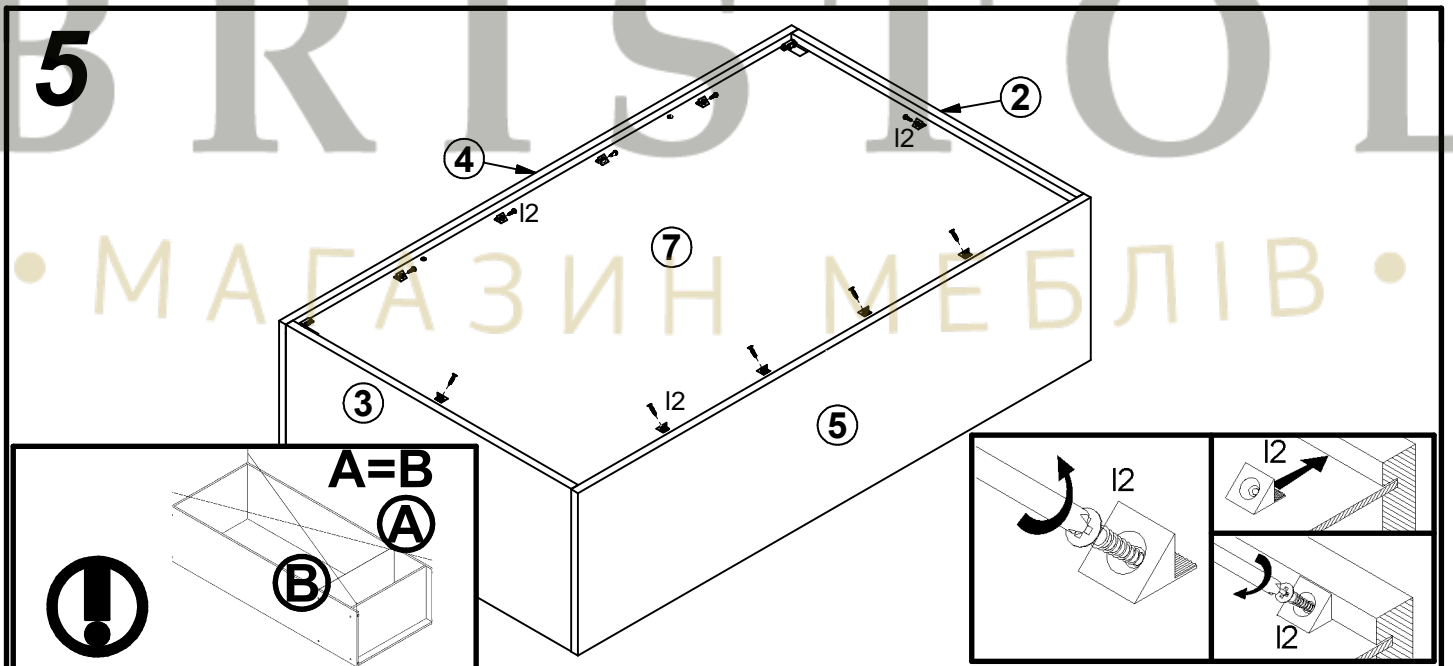
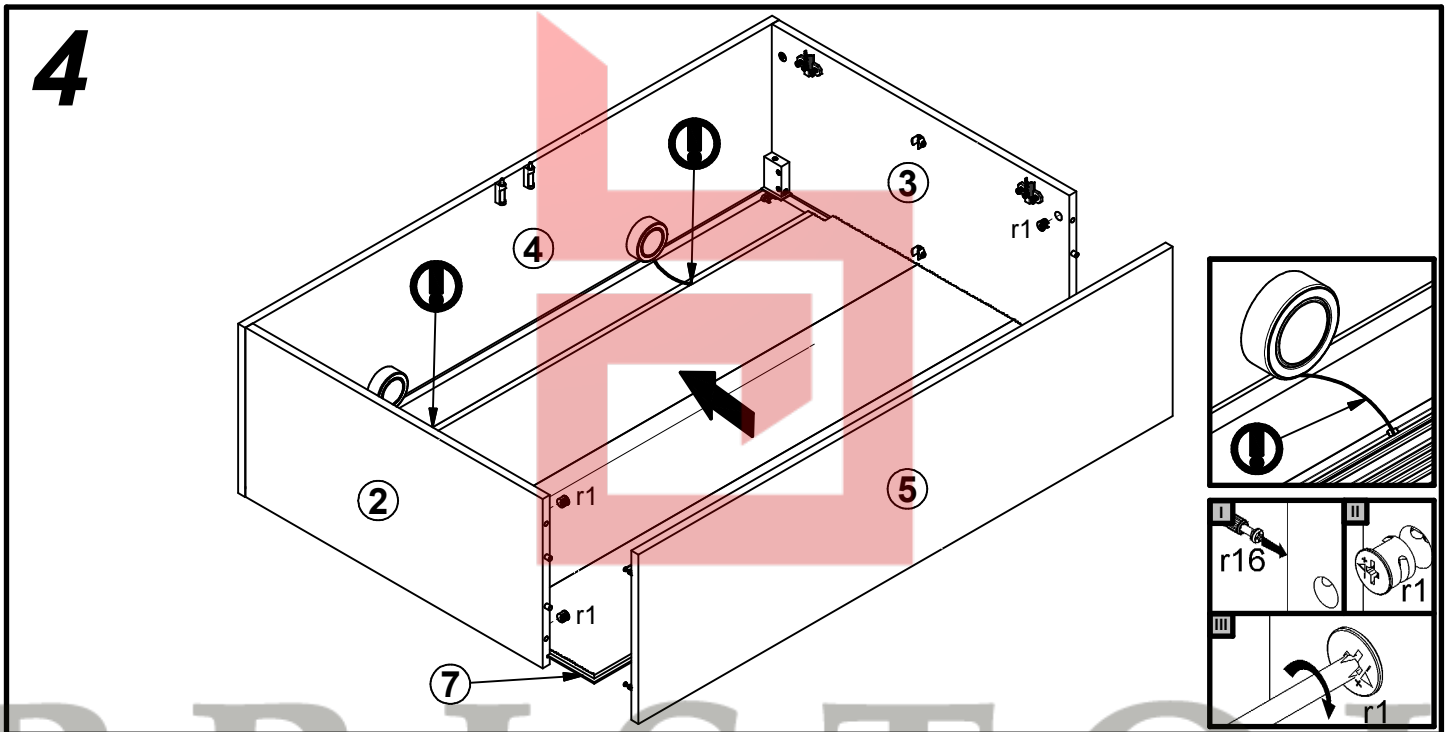
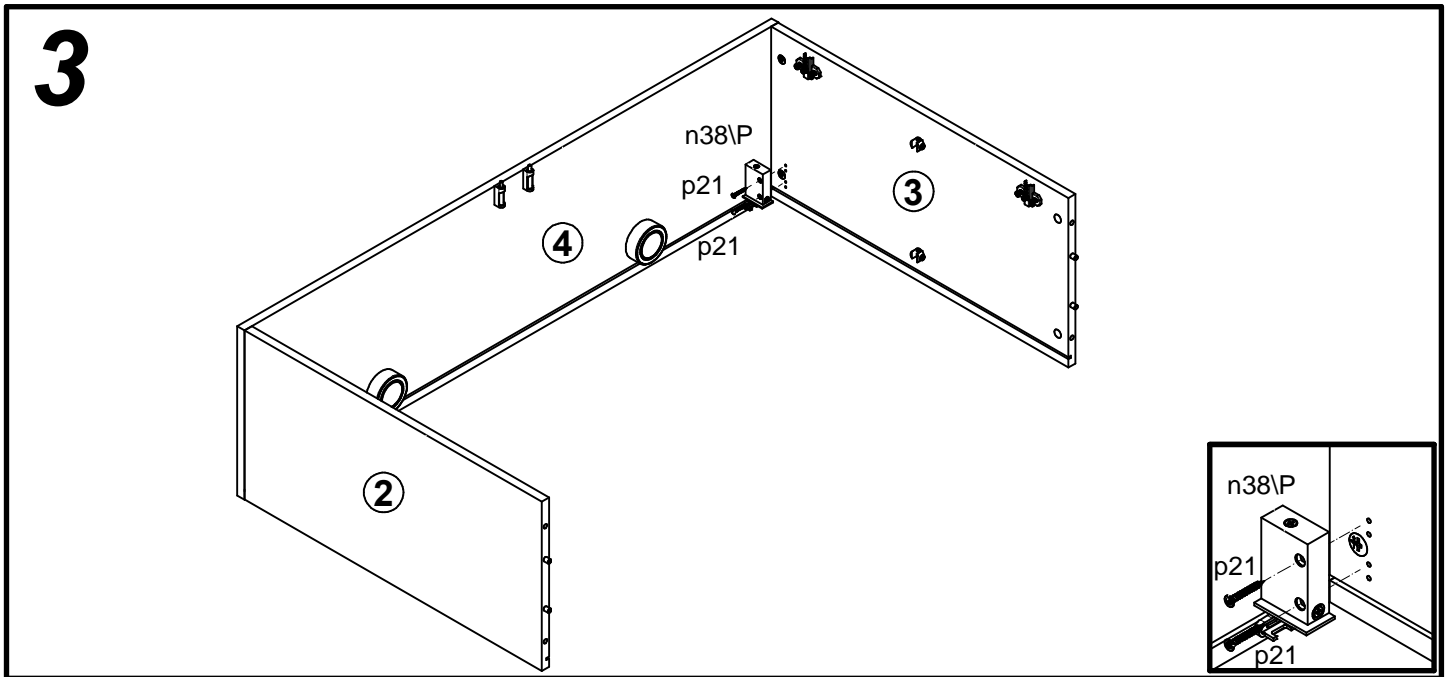
4x a44	4x b35	2x c306	4x d23	4x e36 φ6.0x11 mm	8x f1 φ8x30 mm	2x f35 φ10x50 mm	4x j8 M4x2.5 mm	10x l2
2x m32	2x m34	1x n38\L	1x n38\P	2x o48\1	2x o48\2	4x p1 φ3.5x13 mm	4x p21 φ4x30 mm	8x p51 φ3.5x15 mm
4x p54 φ3x12 mm	2x p75 φ3x60 mm	8x r1 φ1.5x12mm #16	8x r16	6x s2 ø16	2x o21 silikon			

# 1

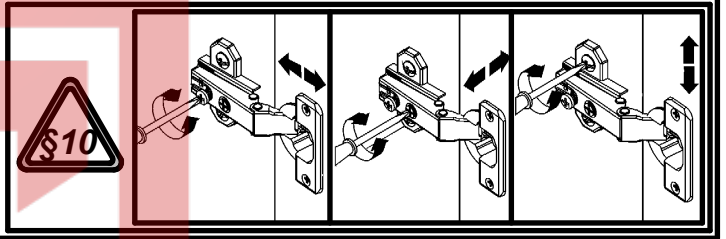
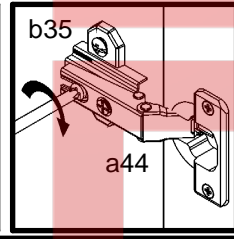
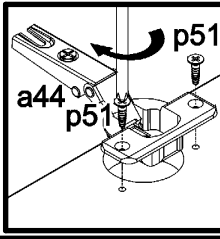
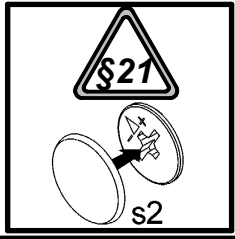
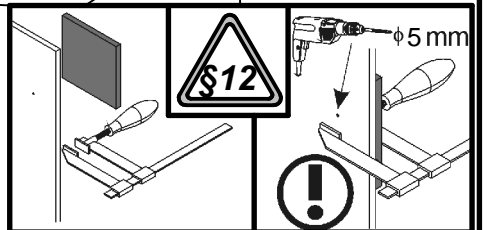
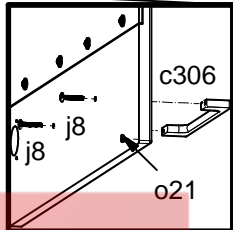
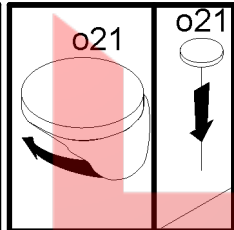
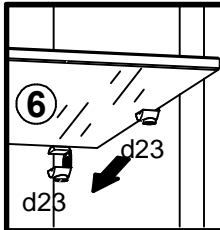
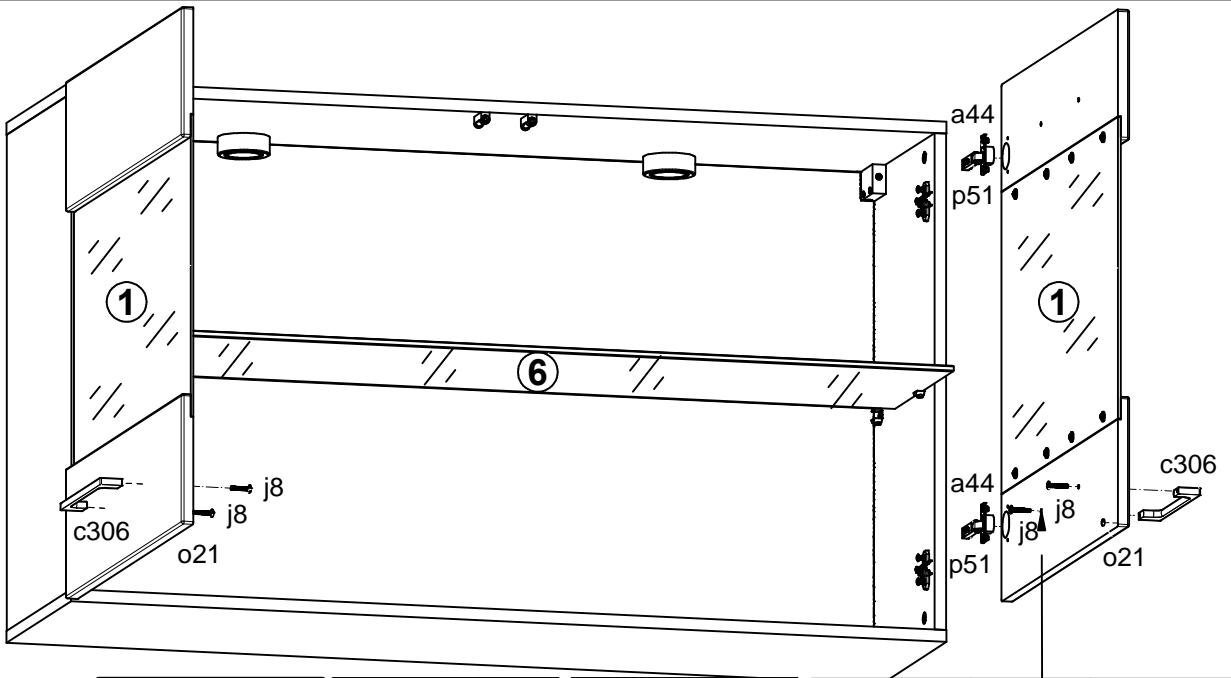


# 2

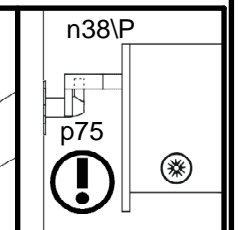
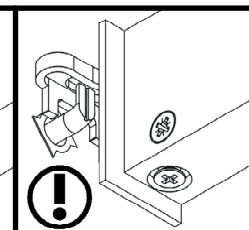
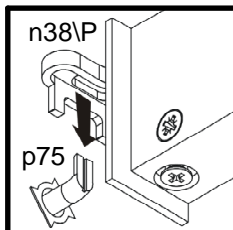
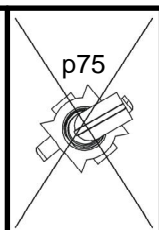
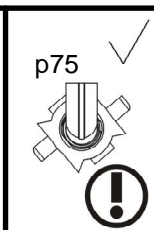
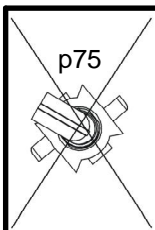
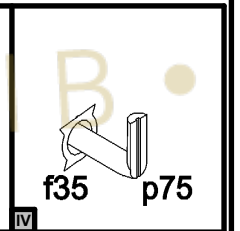
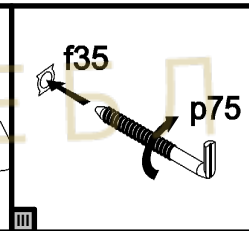
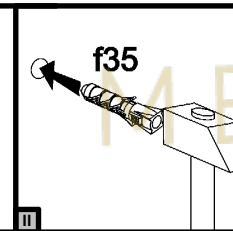
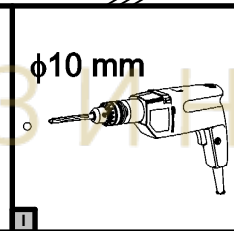
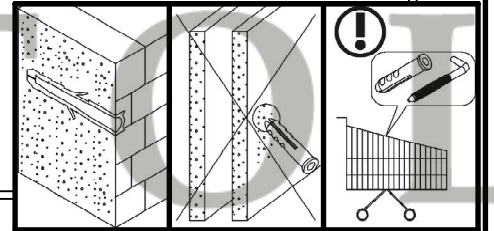
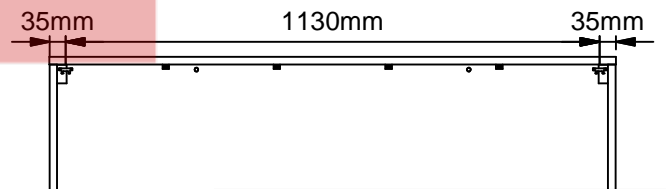
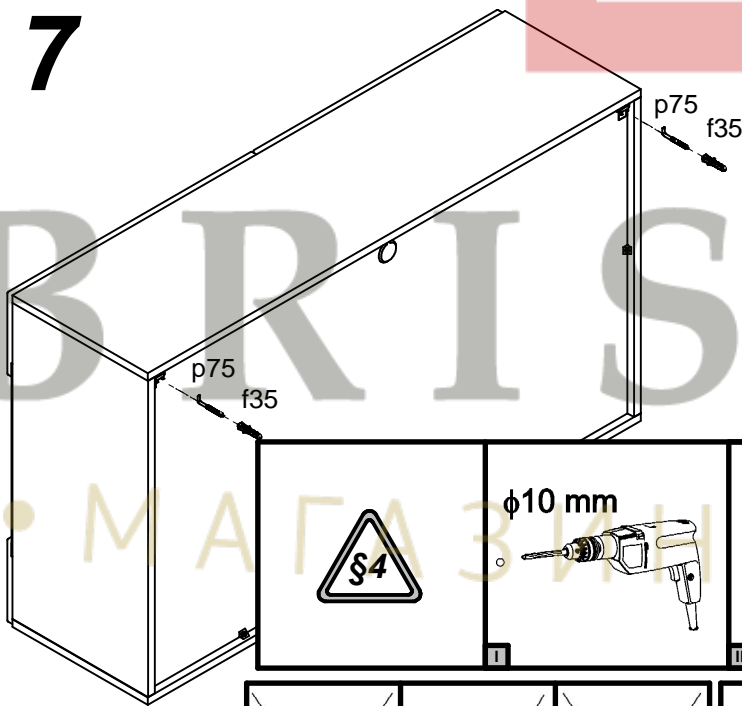




# 6



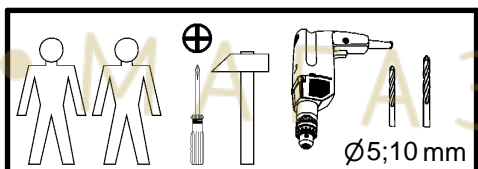
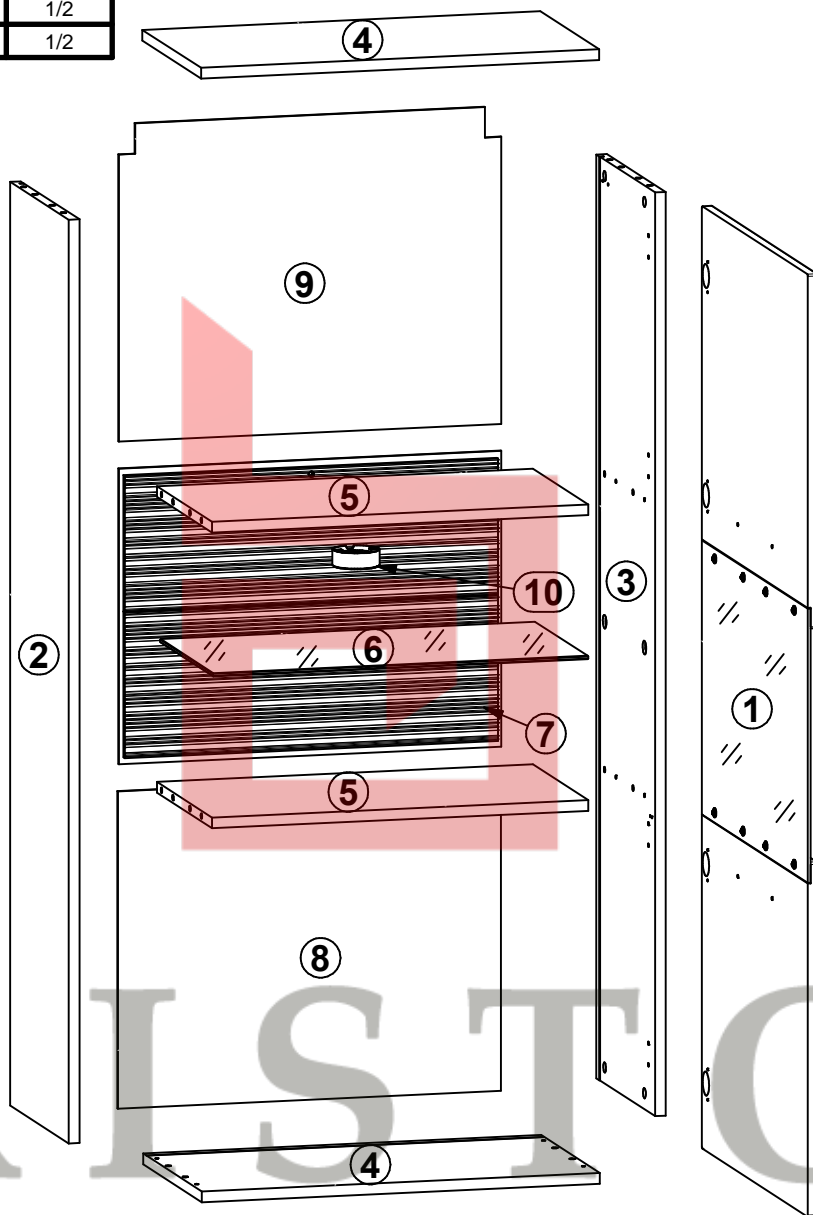
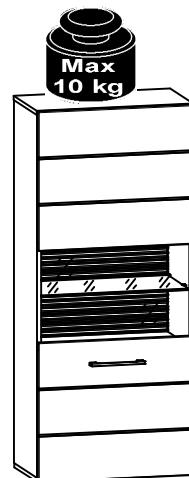
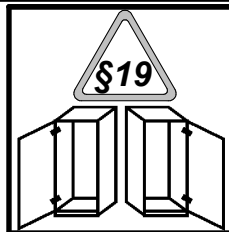
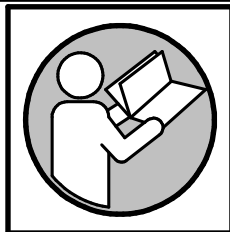
# 7



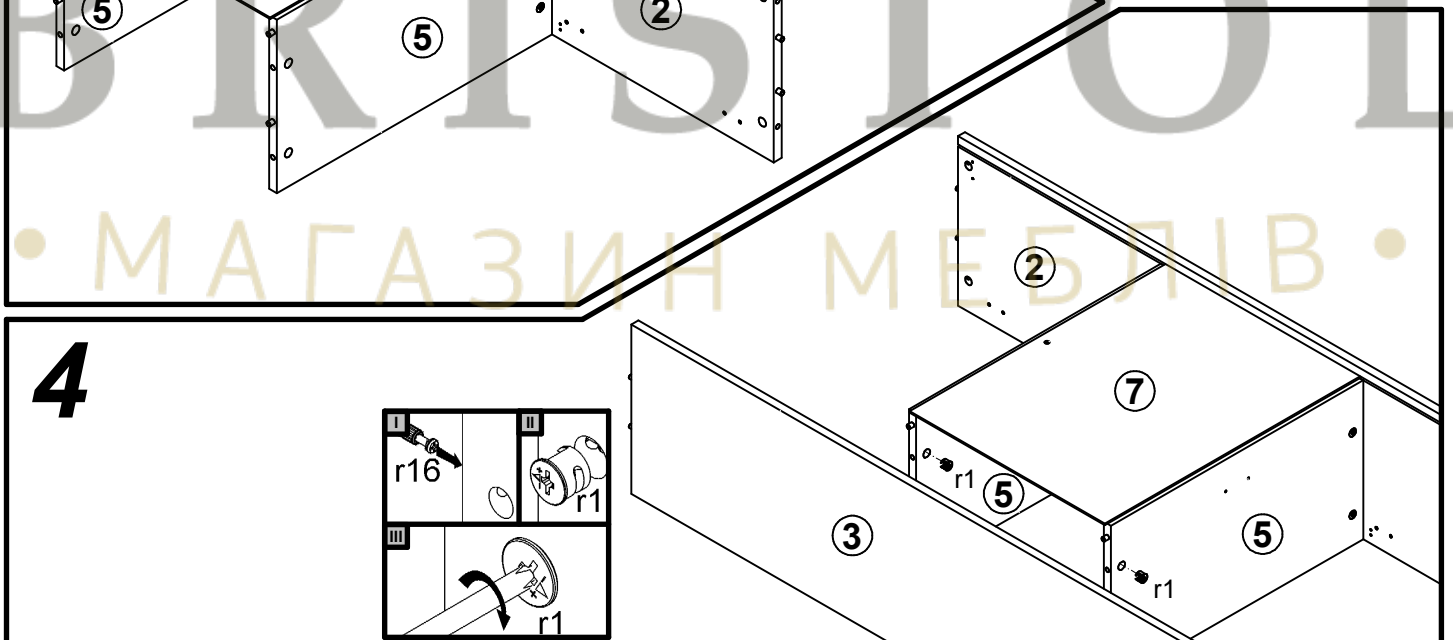
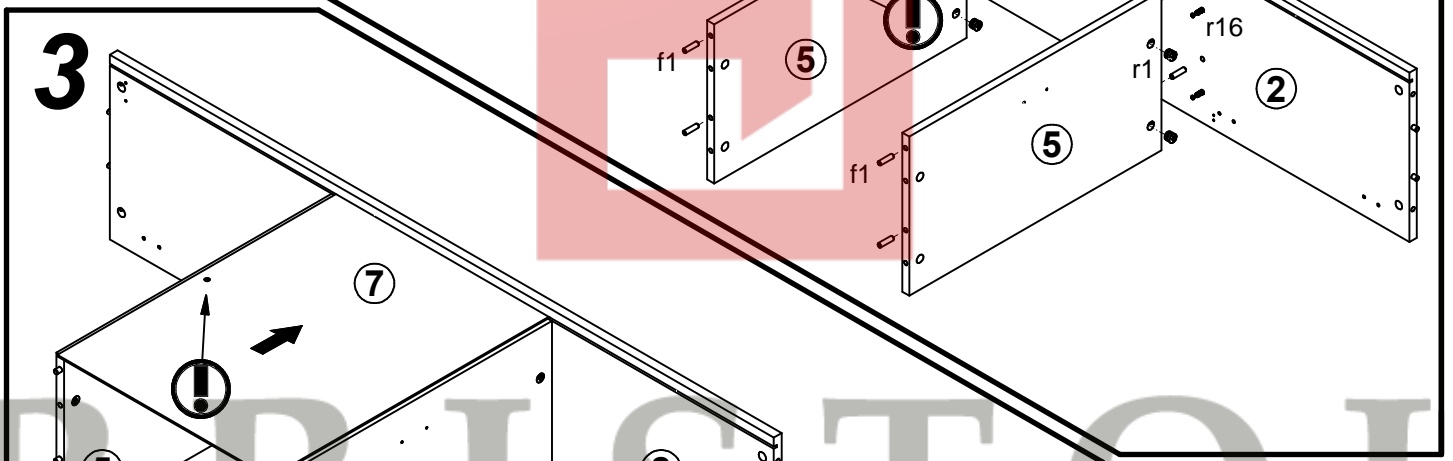
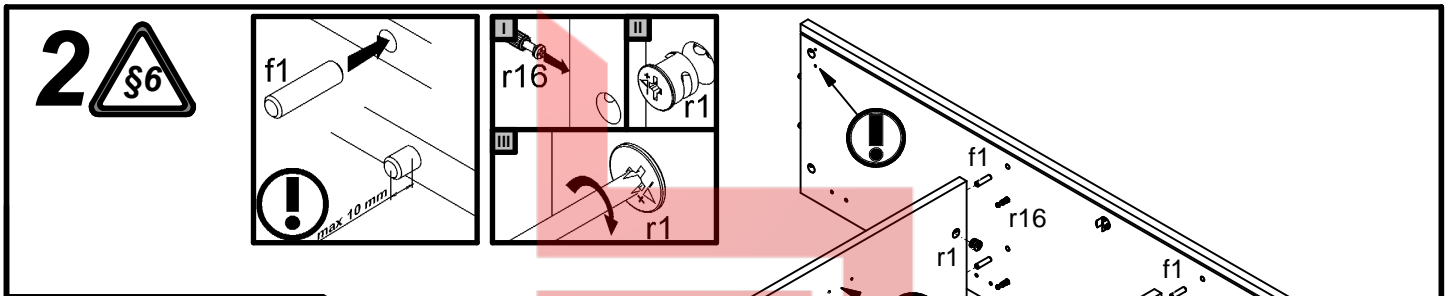
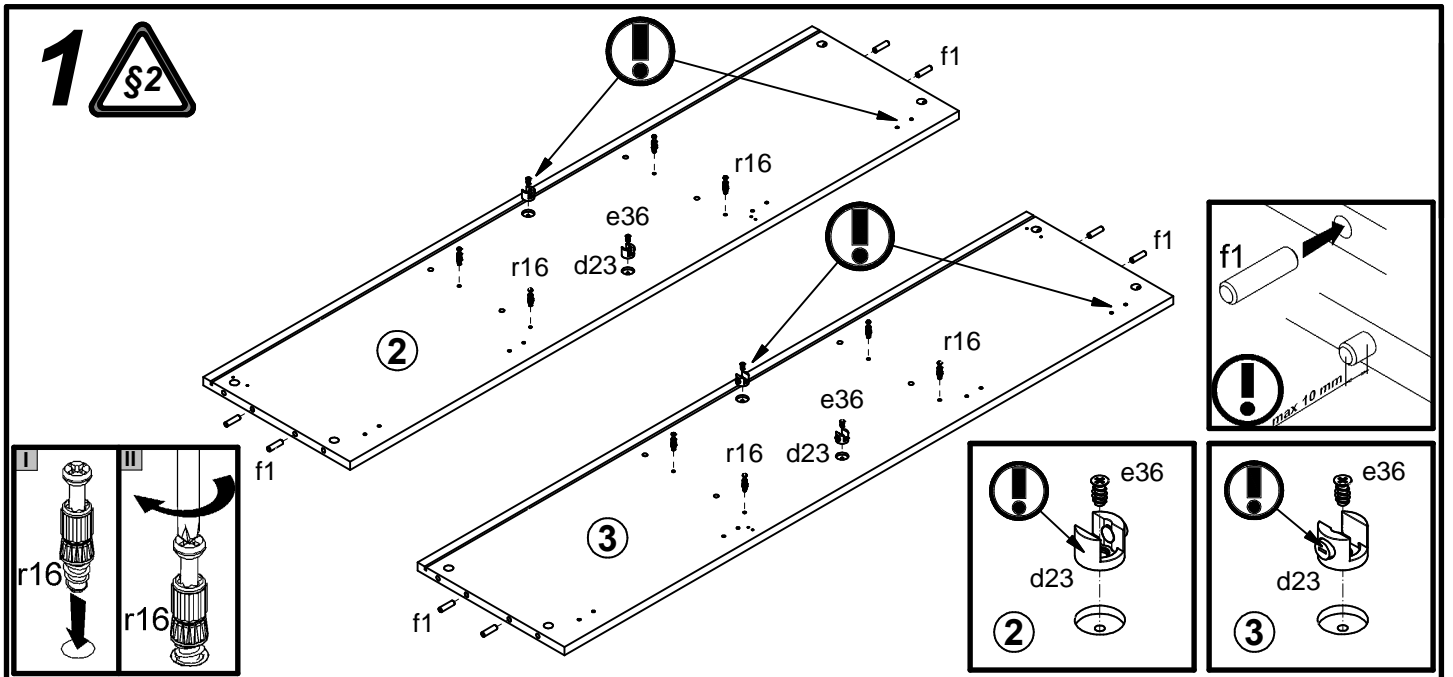
# 10 30 WW 10

# S117-SFW1W/14/6-B

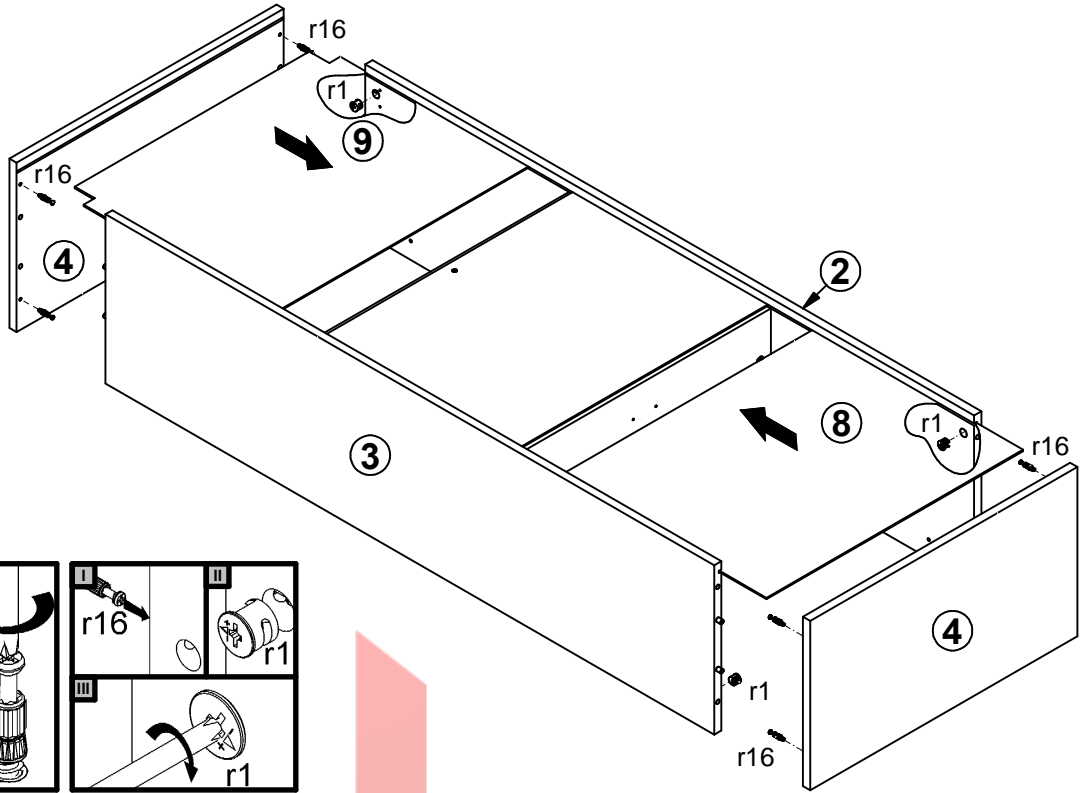
A	B	C	D
1	S117-009A	1396	596 2/2
2	S117-109	1368	330 1/2
3	S117-110	1368	330 1/2
4	S117-210	600	330 1/2
5	S117-305	567	310 1/2
6	S117-306	566	298 1/2
7	S117-451	577	438 2/2
8	S117-910	577	470 1/2
9	S117-925	577	470 1/2
10	qb29\1	LED	1/2



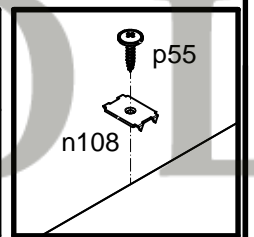
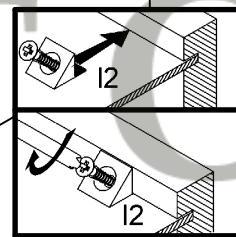
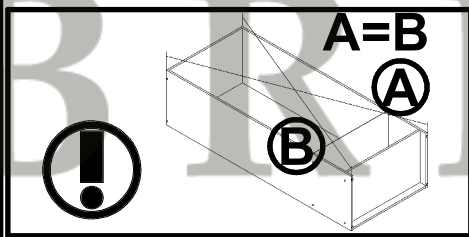
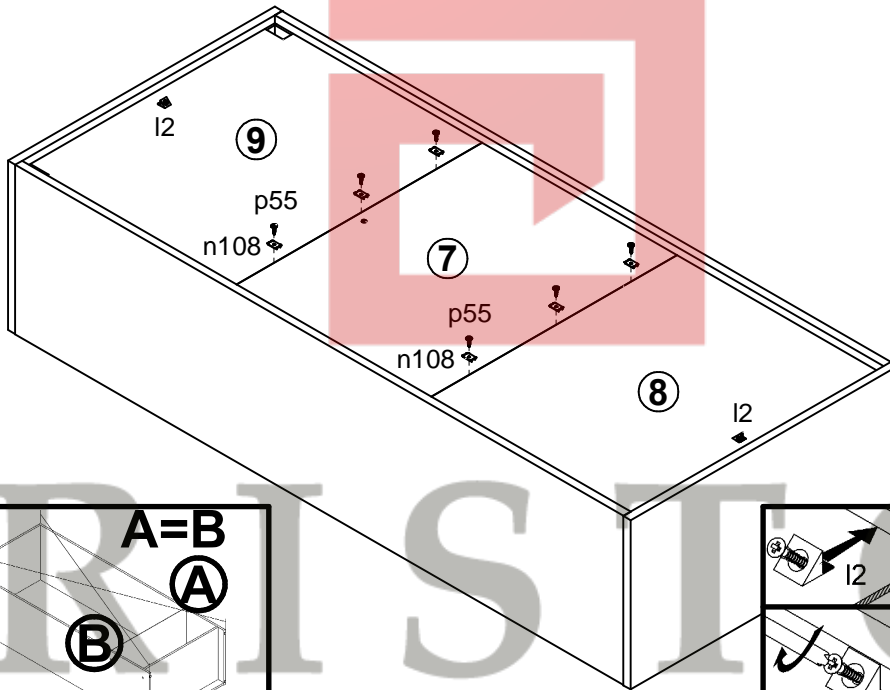
4x  a44	4x  b35	1x  c306	4x  d23	4x  e36 φ6.0x11 mm	16x  f1 φ8x30 mm	2x  f35 φ1.0x50 mm	2x  j8 M4x25 mm	2x  i2
1x  m32	1x  m34	1x  n38\l	1x  n38\p	6x  n108 20x13x3,5\1 mm	1x  o48\1	1x  o48\2	2x  p1 φ3,5x13 mm	4x  p21 φ4x30 mm
8x  p51 φ3,5x15 mm	2x  p54 φ3x12 mm	6x  p55 φ2,5x16 mm	2x  p75 φ6x60 mm	16x  r1 φ15x12mm #16	16x  r16	10x  s2 ø16		



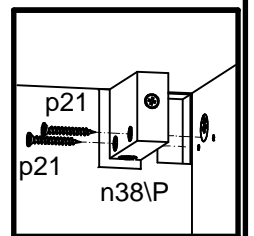
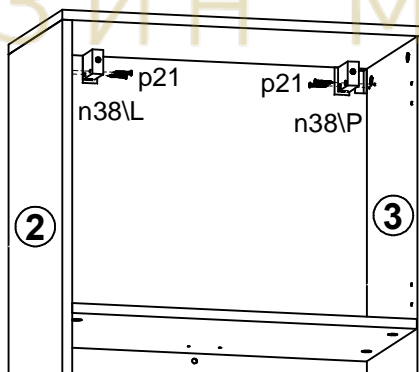
# 5



# 6



# 7





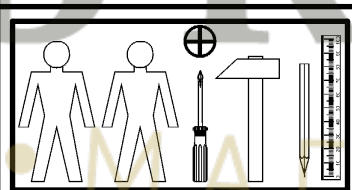
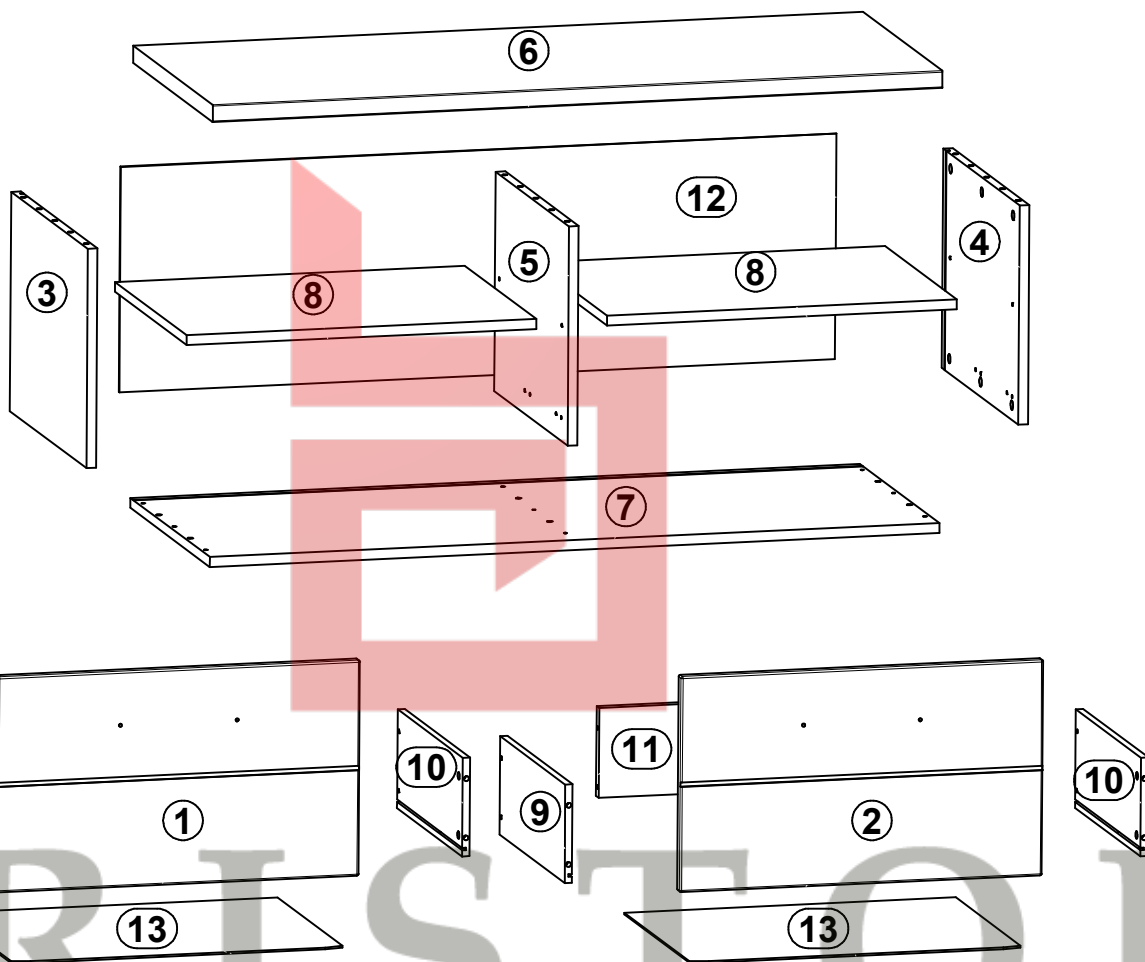
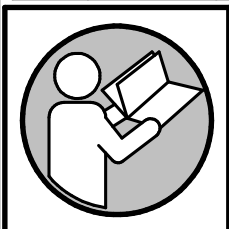
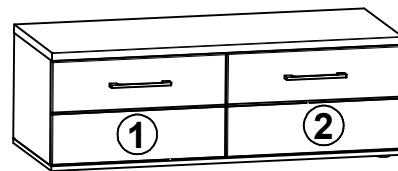


# 10 30 WW 32/36

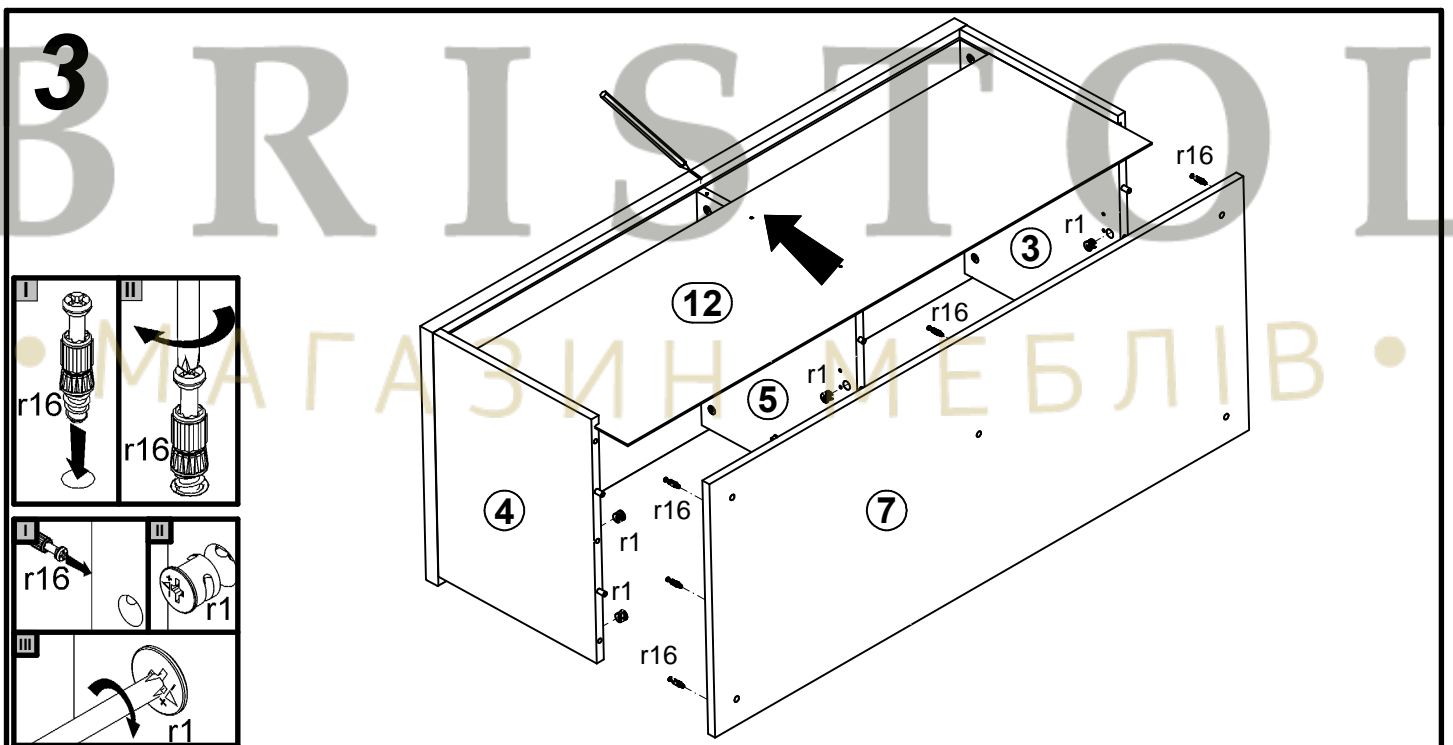
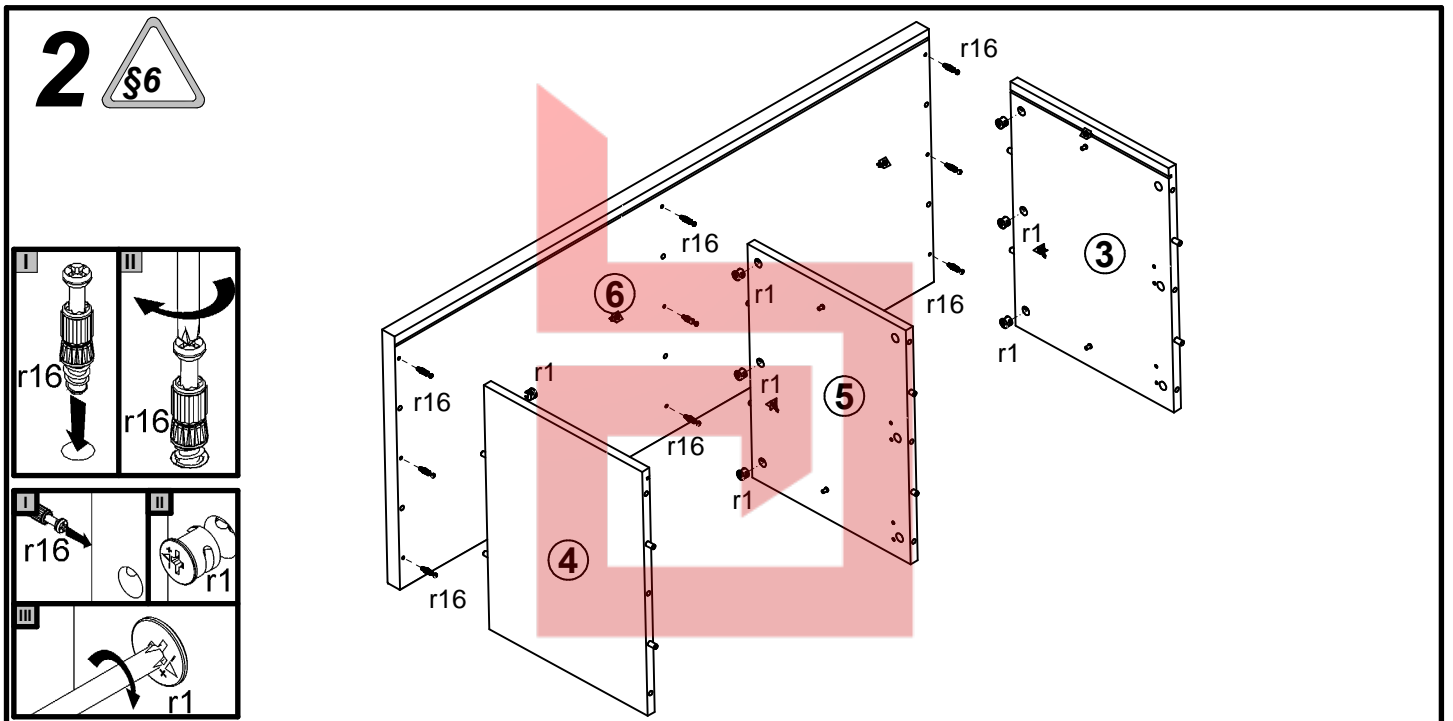
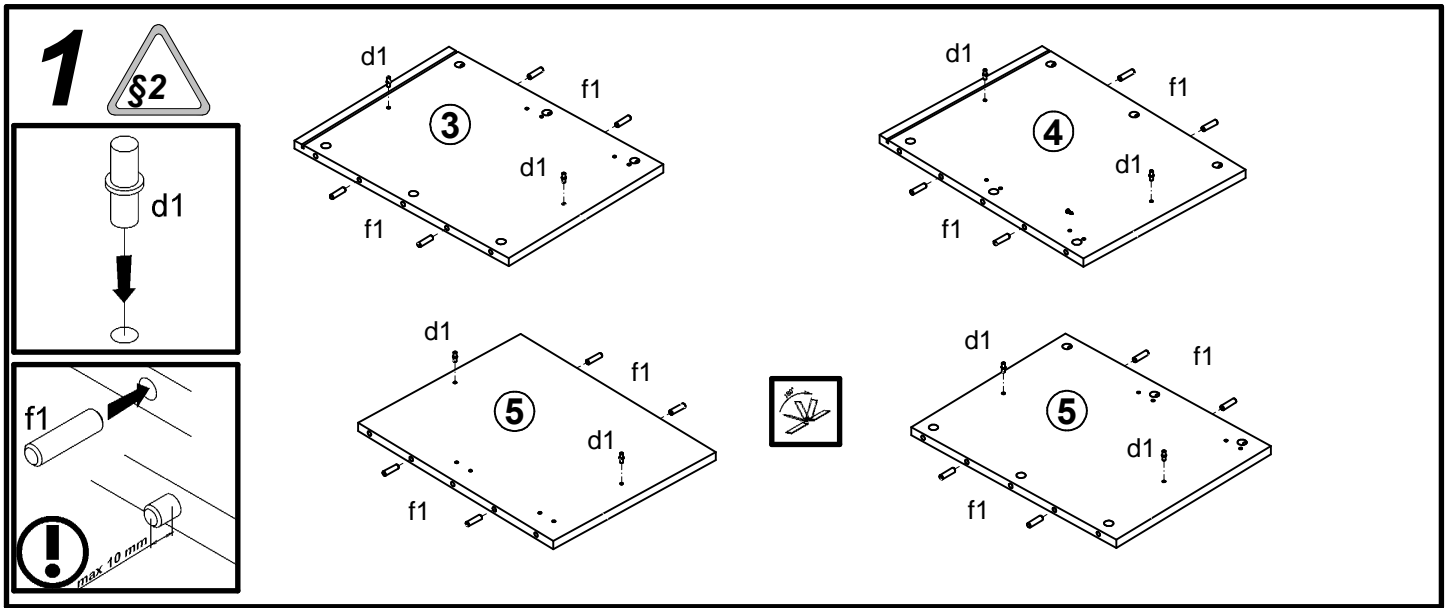
# S117-RTV2S/4/12

# 10 30 NW 32

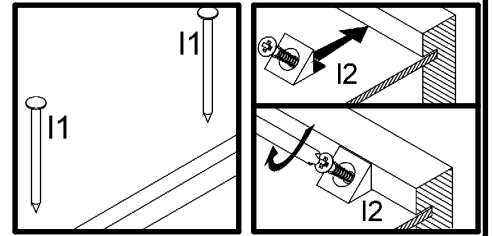
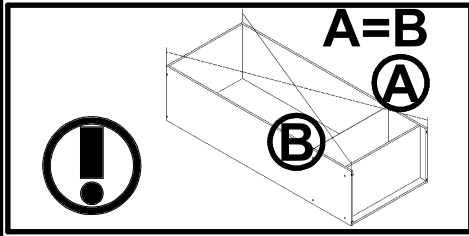
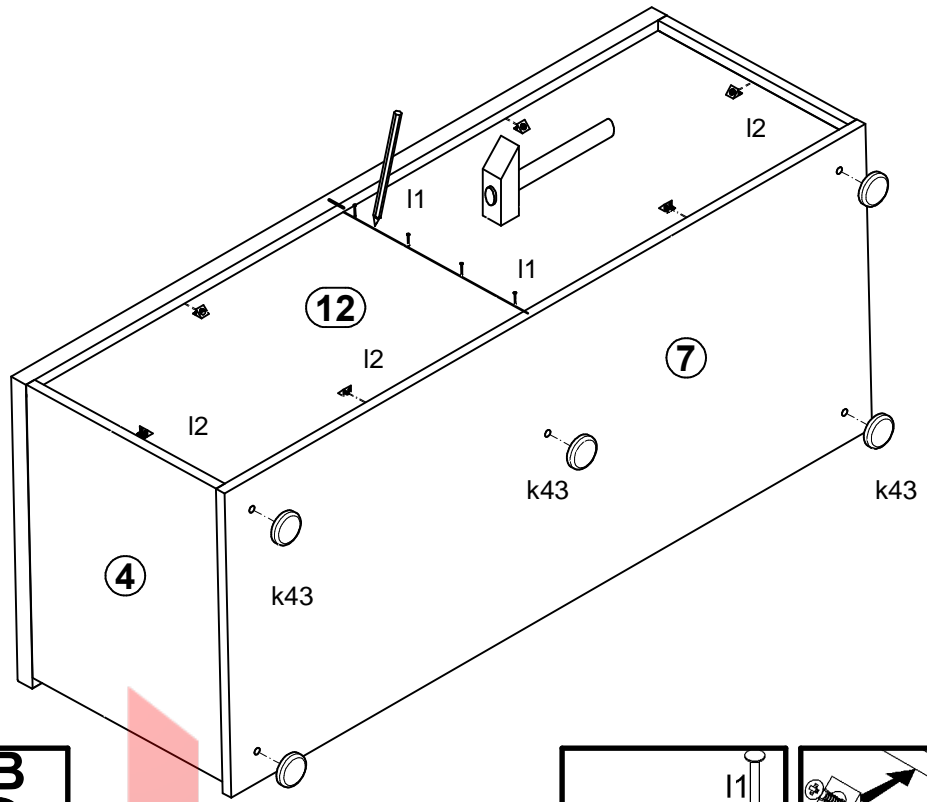
A	B	C	D	A	B	C	D		
1	S117-002	596	350	1/1	8	S117-302A	575	440	1/1
2	S117-003	596	350	1/1	9	S117-501	400	160	1/1
3	S117-101A	356	470	1/1	10	S117-502	400	160	1/1
4	S117-102A	356	470	1/1	11	S117-507	535	146	1/1
5	S117-106A	356	450	1/1	12	S117-904	1177	366	1/1
6	S117-206A	1200	488	1/1	13	S117-905	545	406	1/1
7	S117-207A	1200	488	1/1					



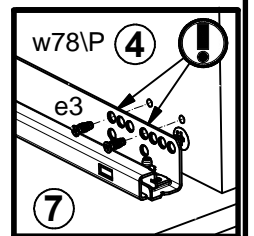
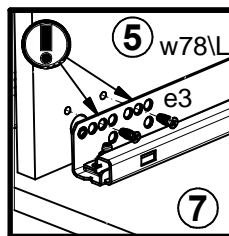
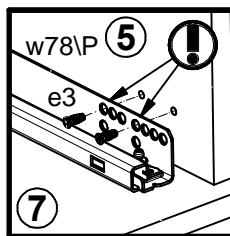
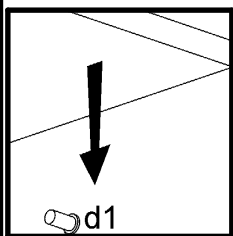
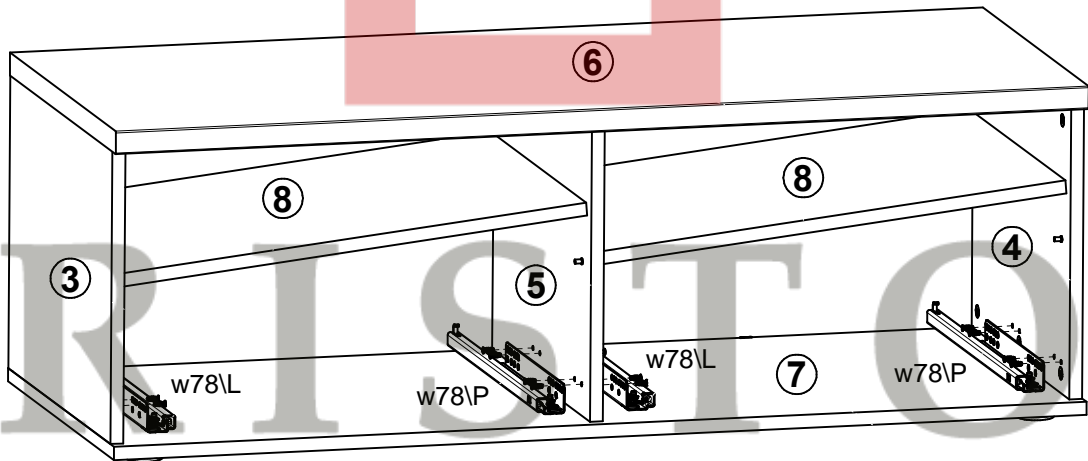
2x  c306	8x  φ5x17 mm d1	16x  φ6x13 mm e3	12x  φ8x30 mm f1	8x  φ6.5x40 mm f25	4x  M4x25 mm j8	5x  k43	4x  l1	4x  stikón o21
2x  φ3.5x16 mm p25	2x  φ3.5x10 mm p35	8x  φ3.5x16 mm p38	18x  φ1.5x12mm #16 r1	8x  φ12x10.5mm #12 r15	26x  r16	2x  400 mm t33	2x  400 mm w78/L	2x  400 mm w78/P
6x  i2								



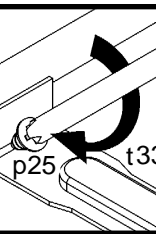
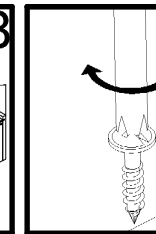
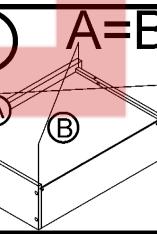
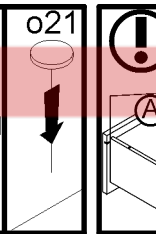
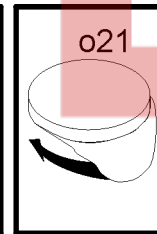
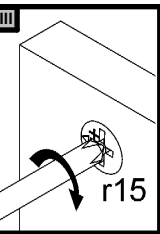
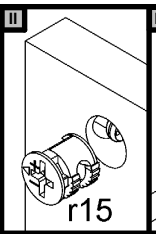
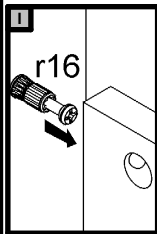
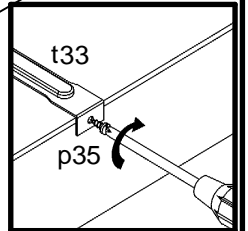
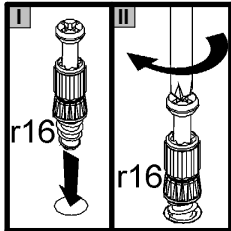
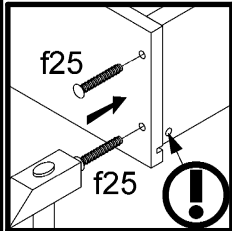
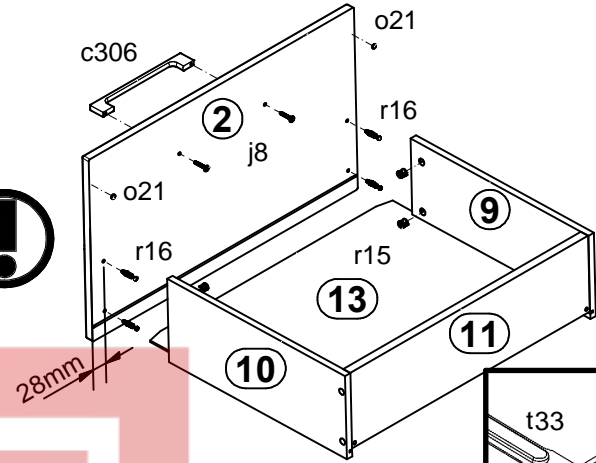
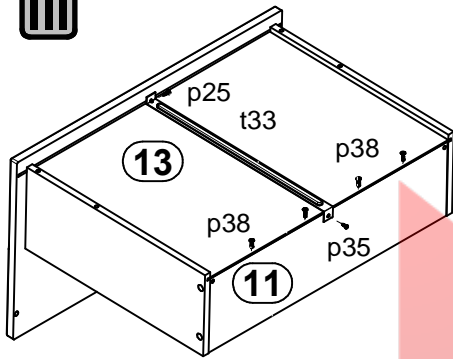
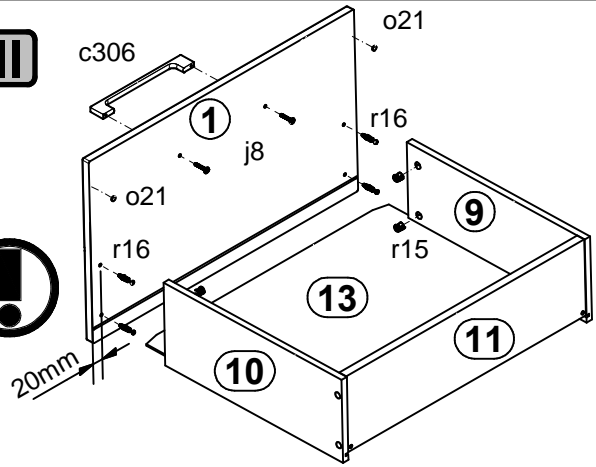
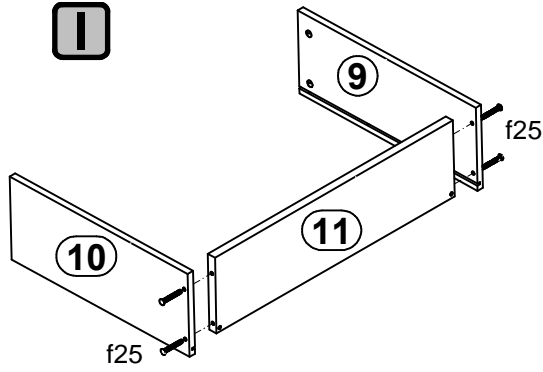
# 4



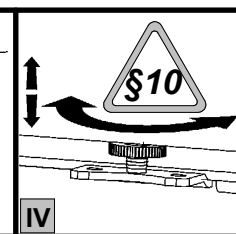
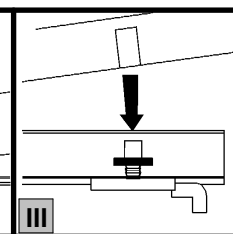
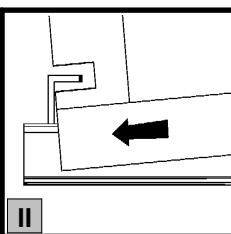
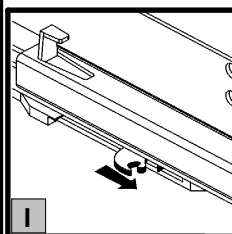
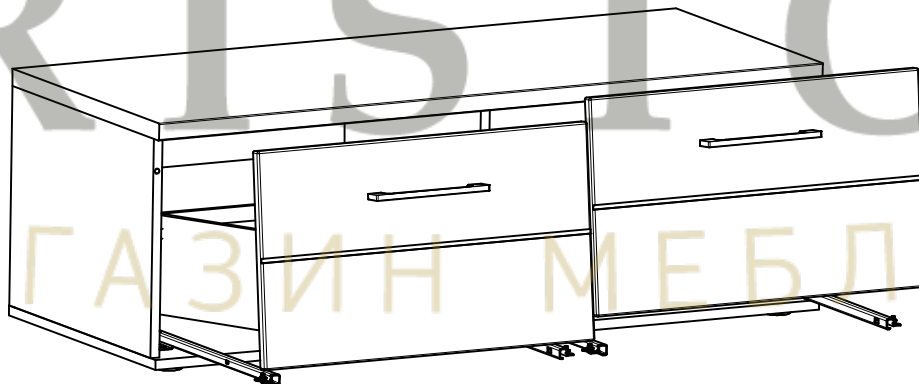
# 5



# 6



# 7

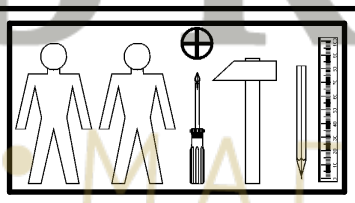
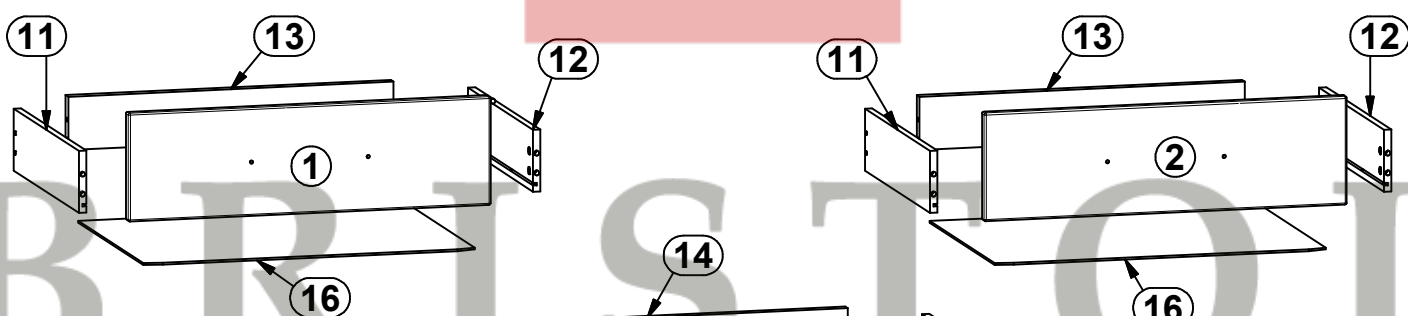
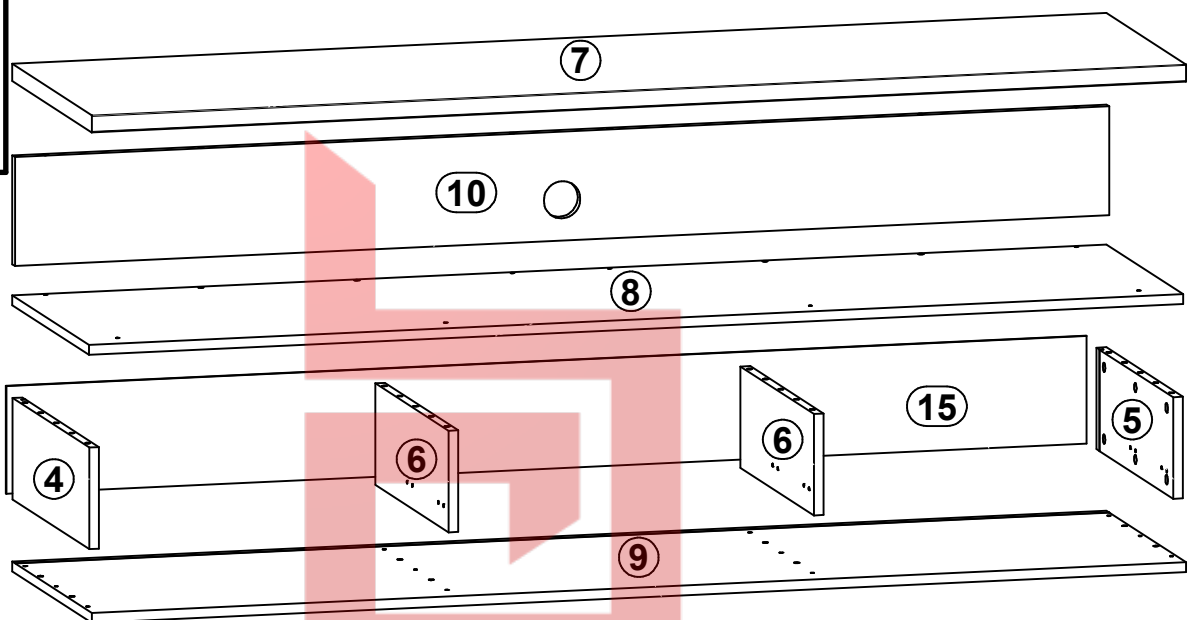
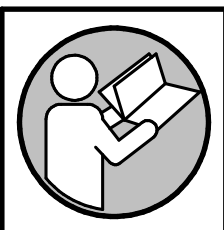
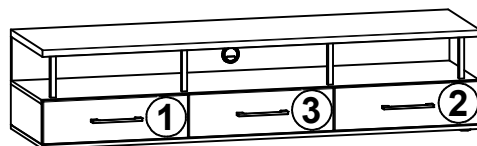


# 10 30 WW 30/34

# S117-RTV3S/4/18

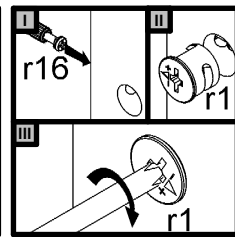
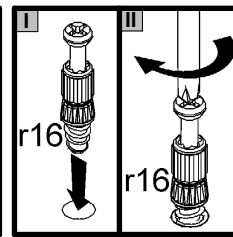
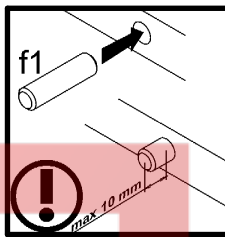
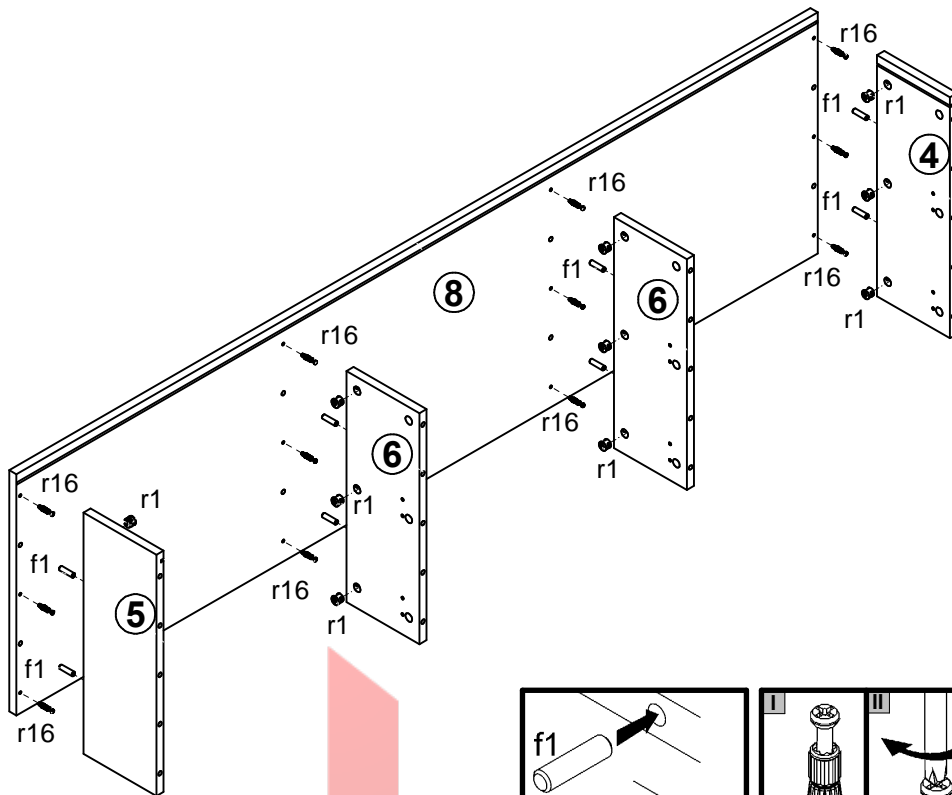
# 10 30 NW 30

A	B	C	D	A	B	C	D		
1	S117-006	596	175	2/2	10	S117-401	1800	176	2/2
2	S117-007	596	175	2/2	11	S117-504	400	100	2/2
3	S117-008	596	175	2/2	12	S117-505	400	100	2/2
4	S117-103A	164	470	2/2	13	S117-506	535	86	2/2
5	S117-104A	164	470	2/2	14	S117-509	545	86	2/2
6	S117-105A	164	450	2/2	15	S117-903	1777	174	1/2
7	S117-203A	1800	488	1/2	16	S117-905	545	406	2/2
8	S117-204B	1800	470	2/2	17	S117-908	555	406	2/2
9	S117-205A	1800	488	1/2					

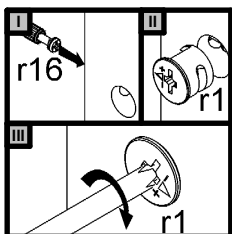
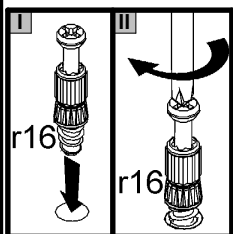
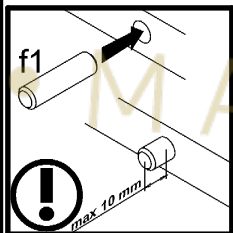
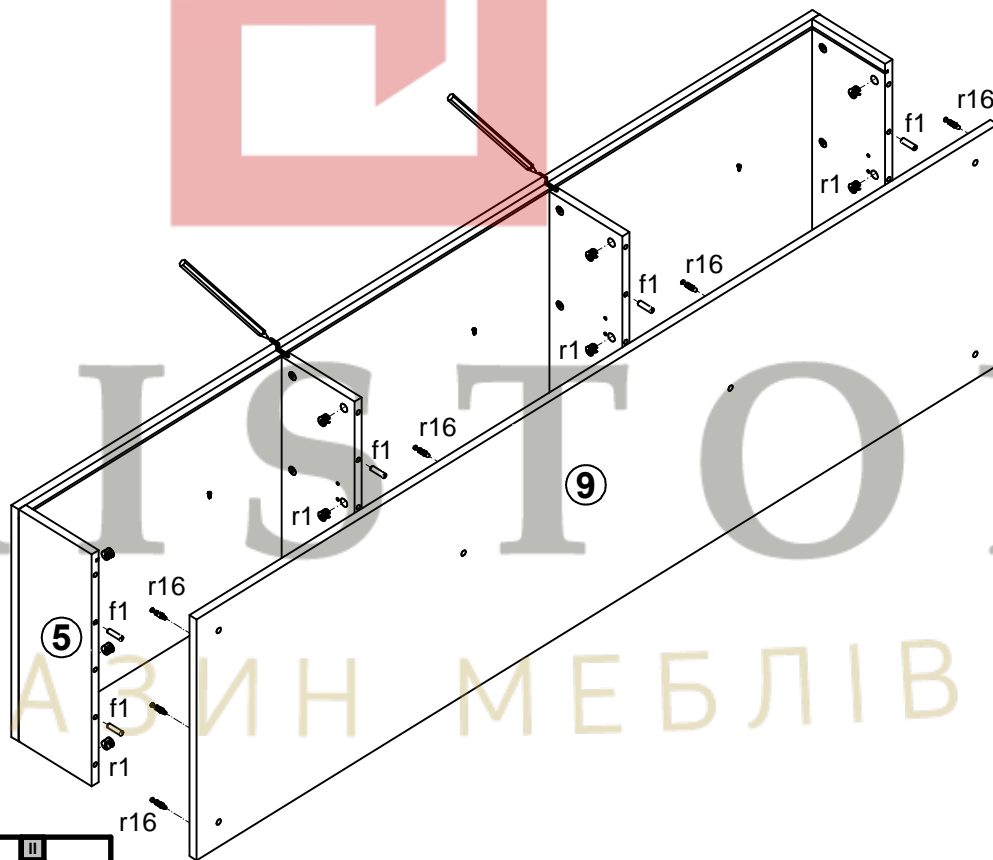


3x  c306	4x  d24/6	24x  φ6x13 mm e3	24x  φ8x30 mm f1	12x  φ6.5x40 mm f25	6x  M4x25 mm j8	6x  k43	4x  l1	8x  l2
6x  silikon o21	3x  φ3.5x16 mm p25	3x  φ3.5x10 mm p35	12x  φ3.5x16 mm p38	32x  φ1.5x12mm #16 r1	20x  φ12x10.5mm #12 r15	52x  r16	3x  400 mm t33	3x  400 mm w78/L
3x  400 mm w78/P	4x  φ16 s2	1x  φ60 s3						

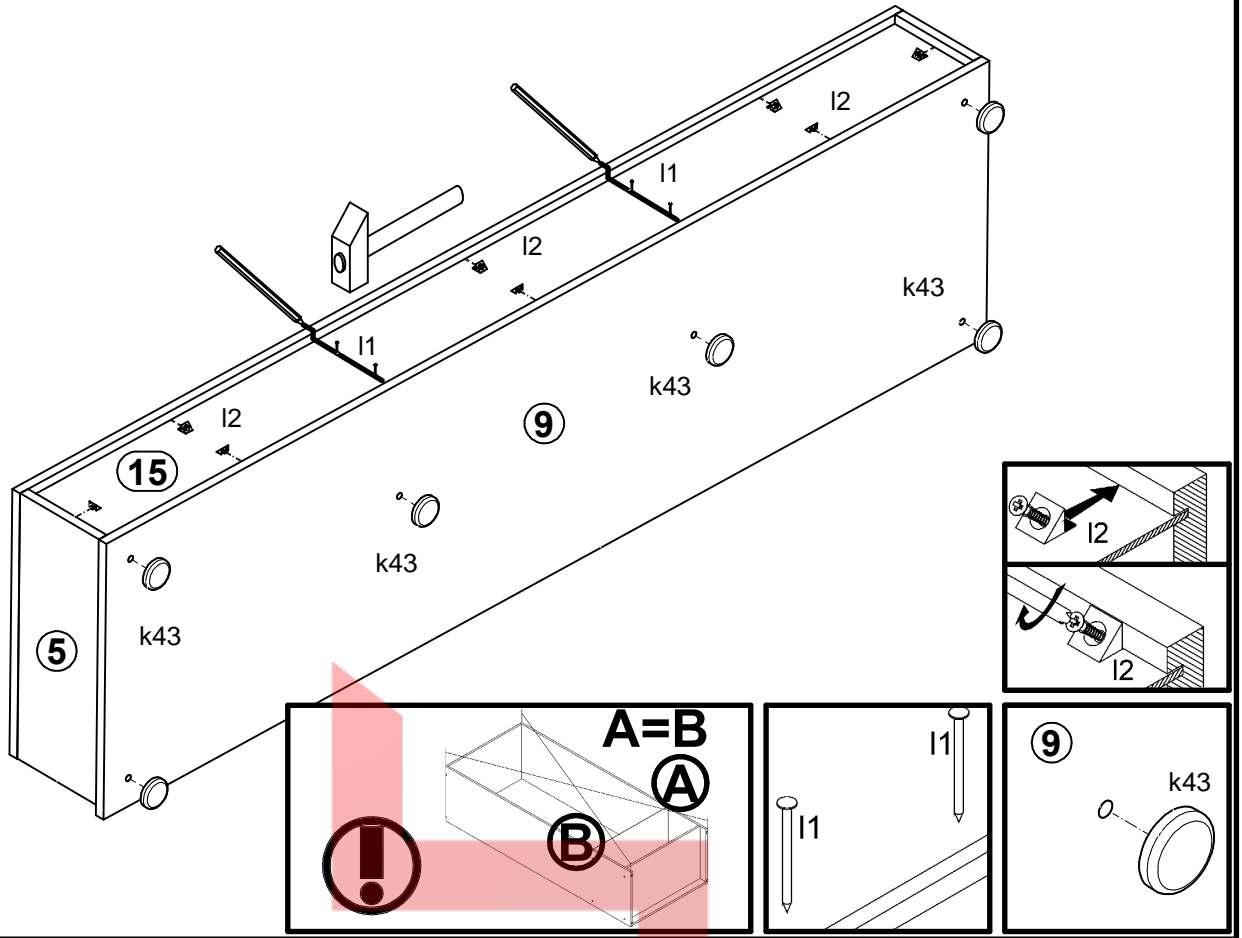
**1** §2



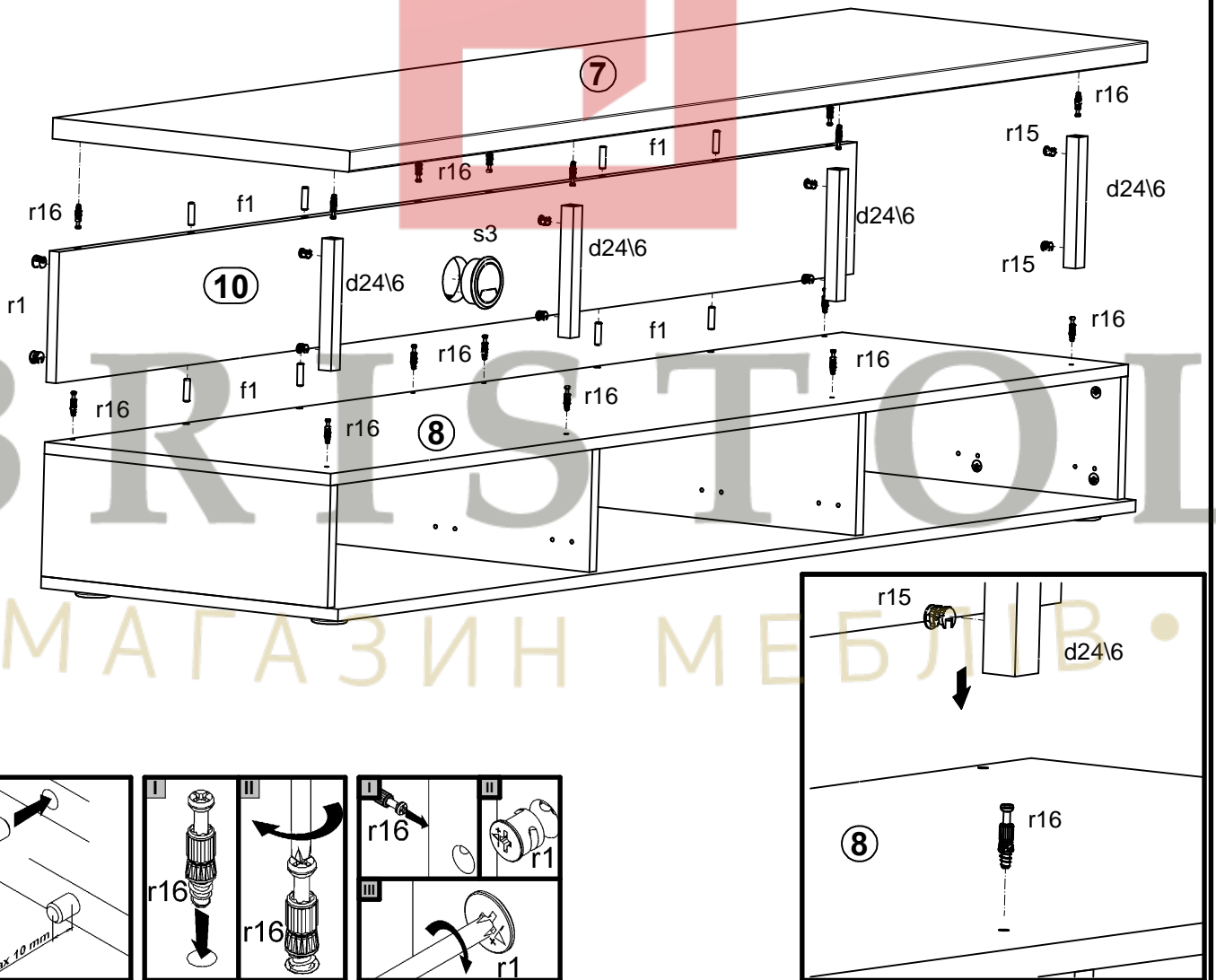
**2** §6



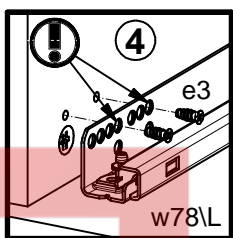
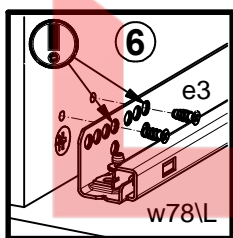
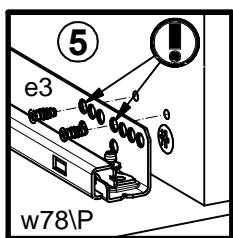
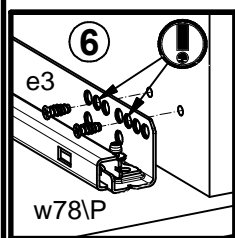
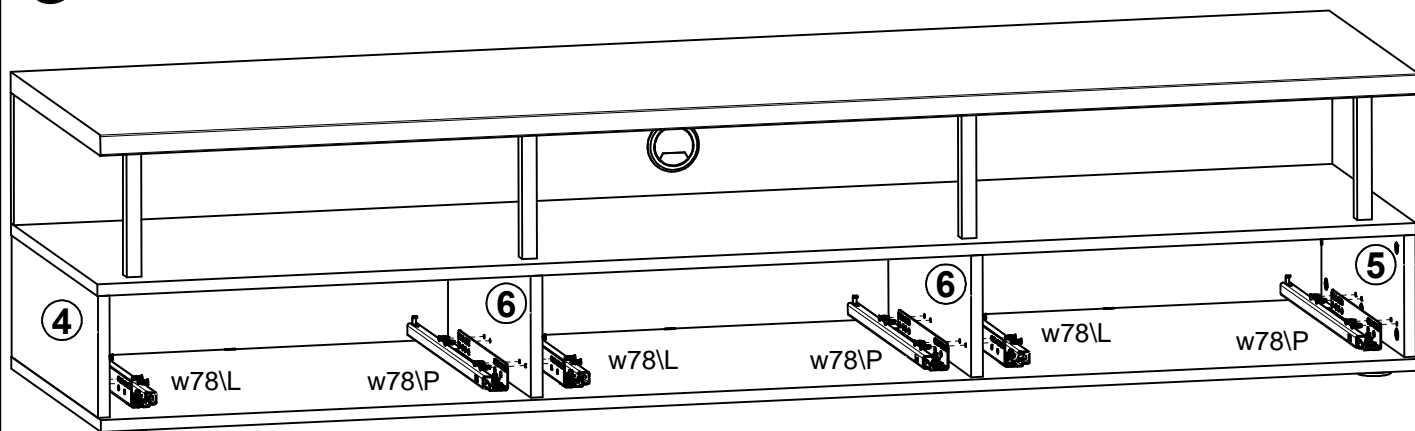
# 3



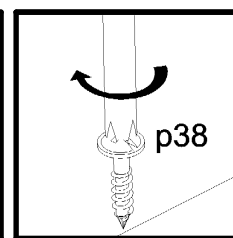
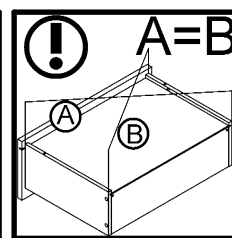
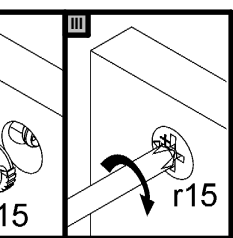
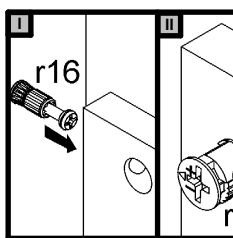
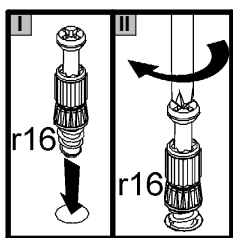
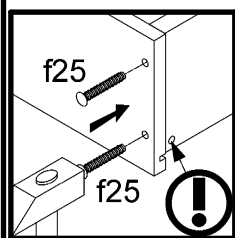
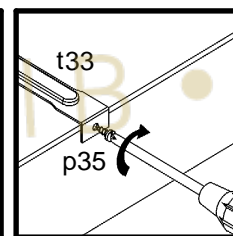
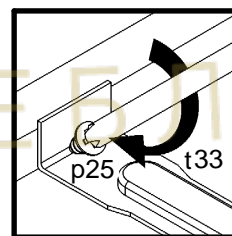
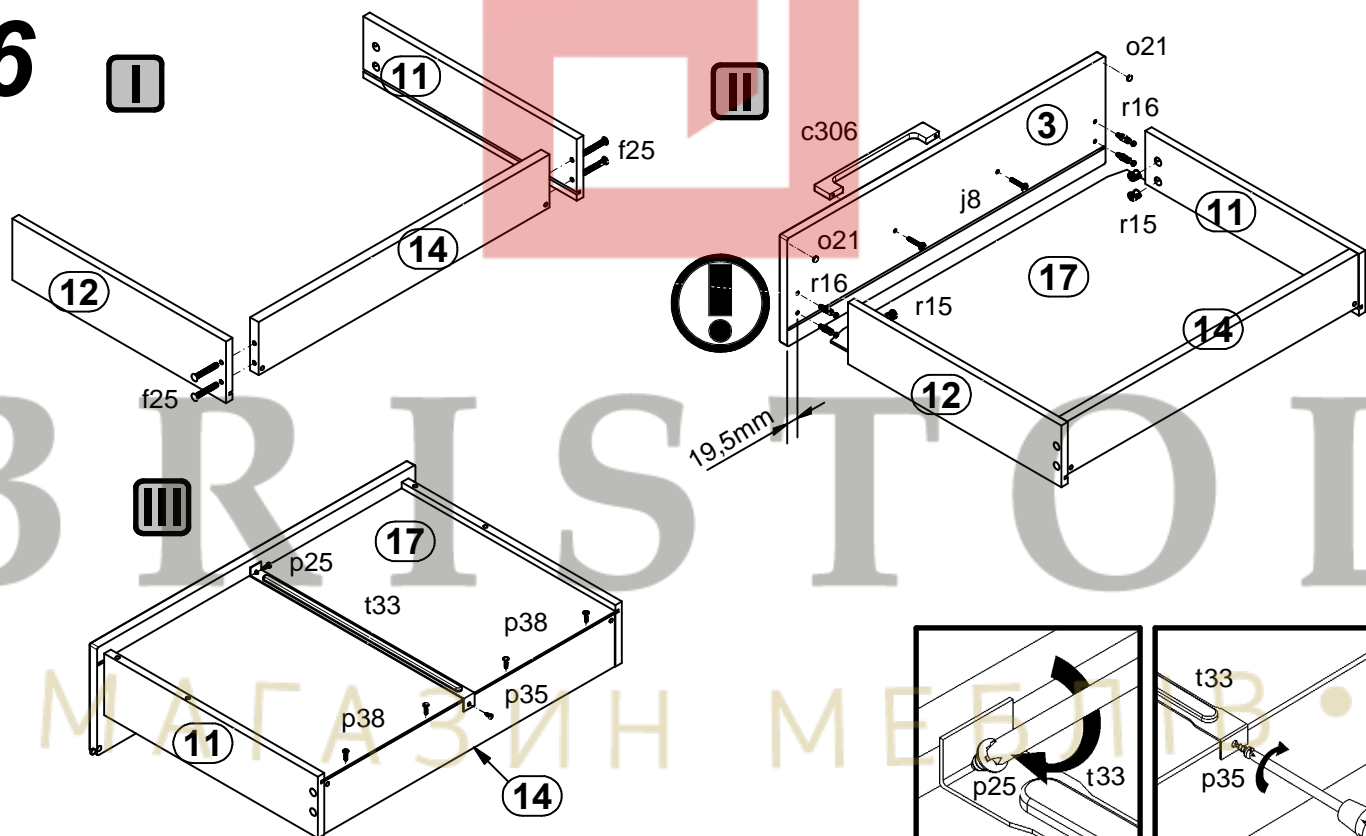
# 4



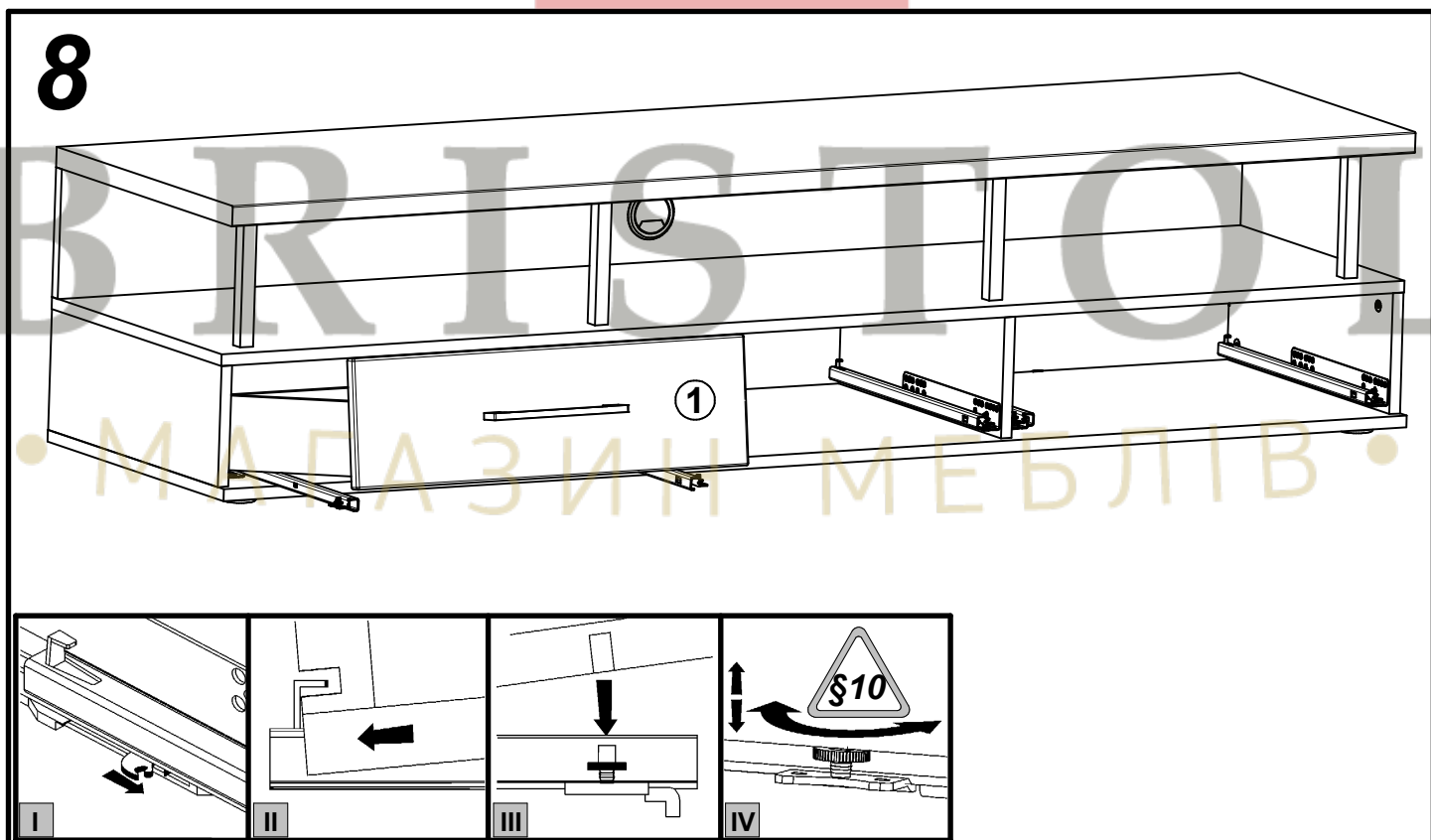
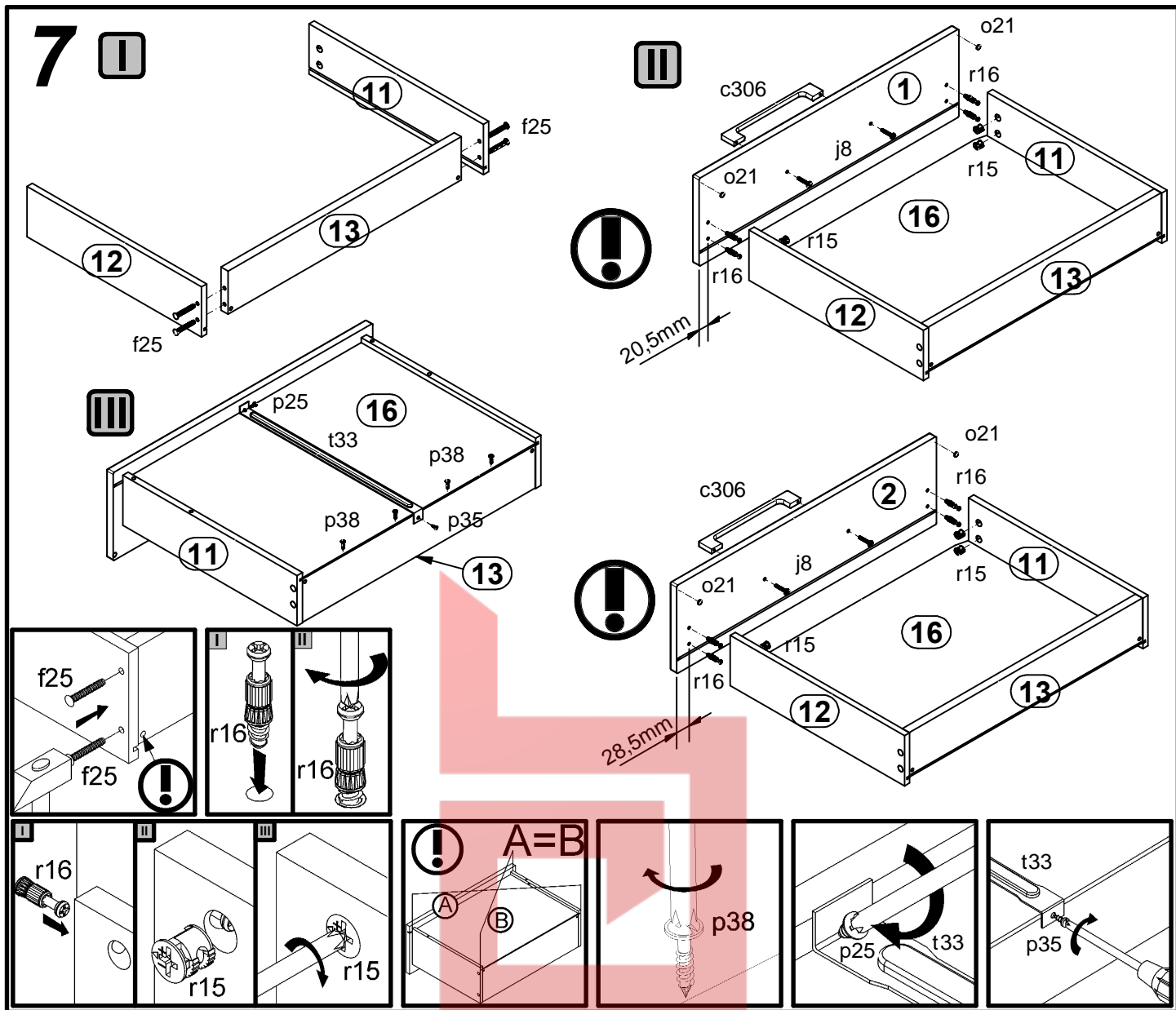
# 5



# 6



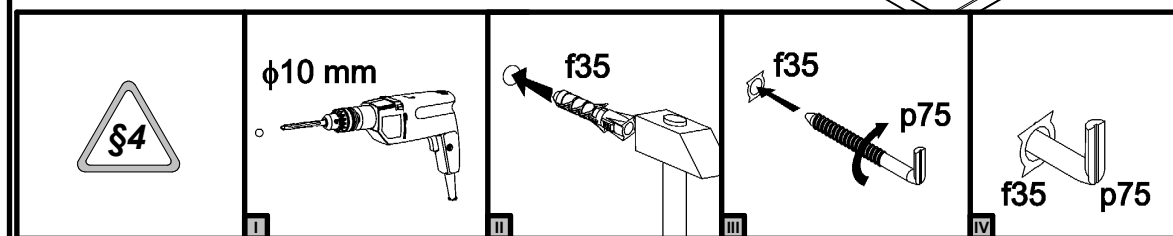
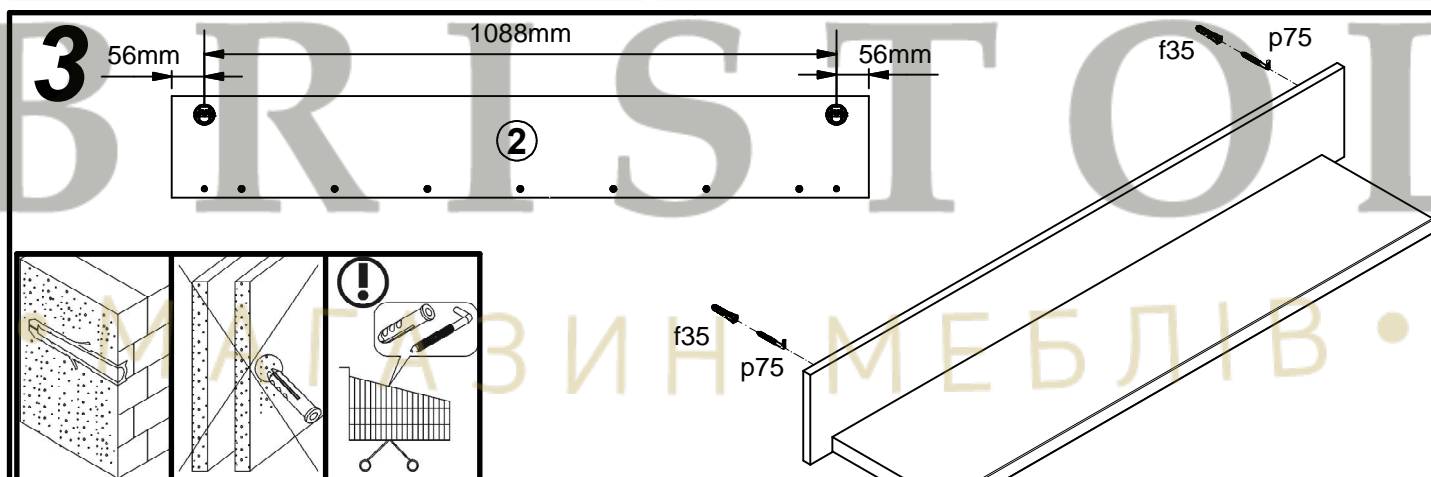
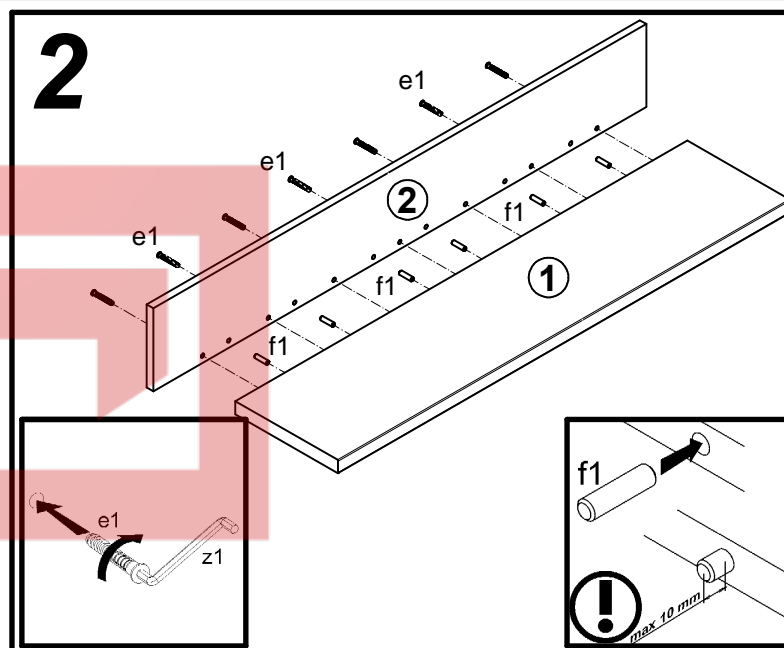
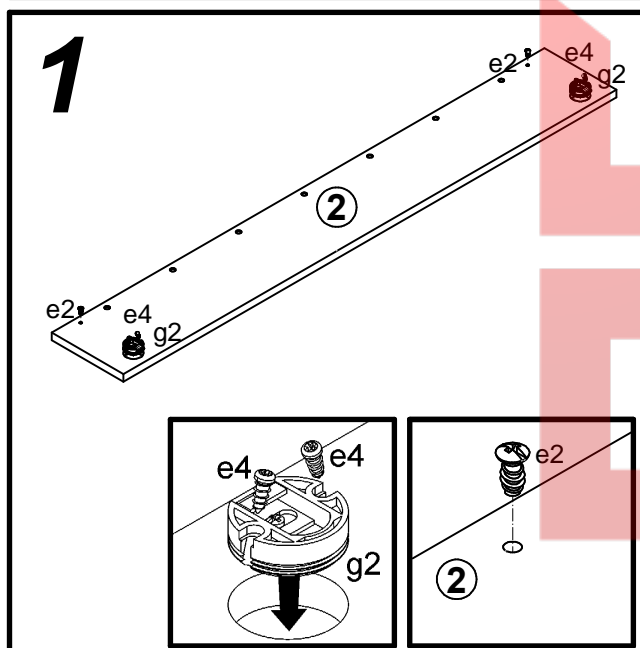
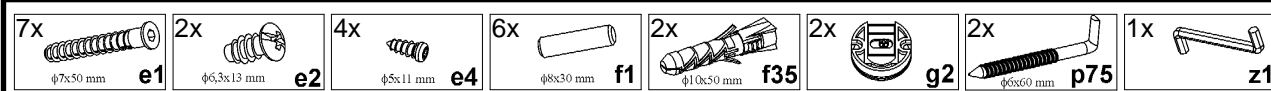
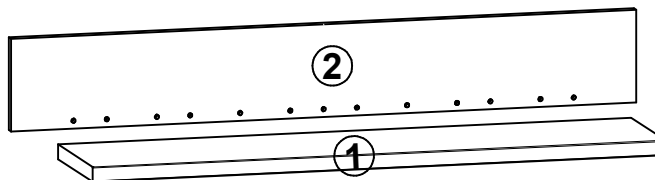
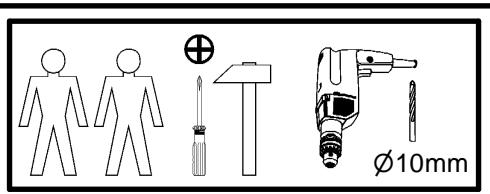
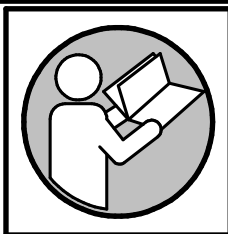




# 10 30 NW/WW 40

S117-P\2\12

A	B	C	D
1	S117-304	1100	250
2	S117-402	1200	175



# 10 30 NW/WW 40

S117-P\2\12

A	B	C	D
1	S117-304	1100	250
2	S117-402	1200	175

