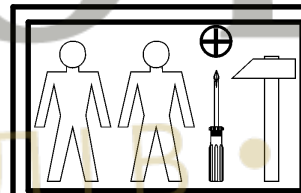
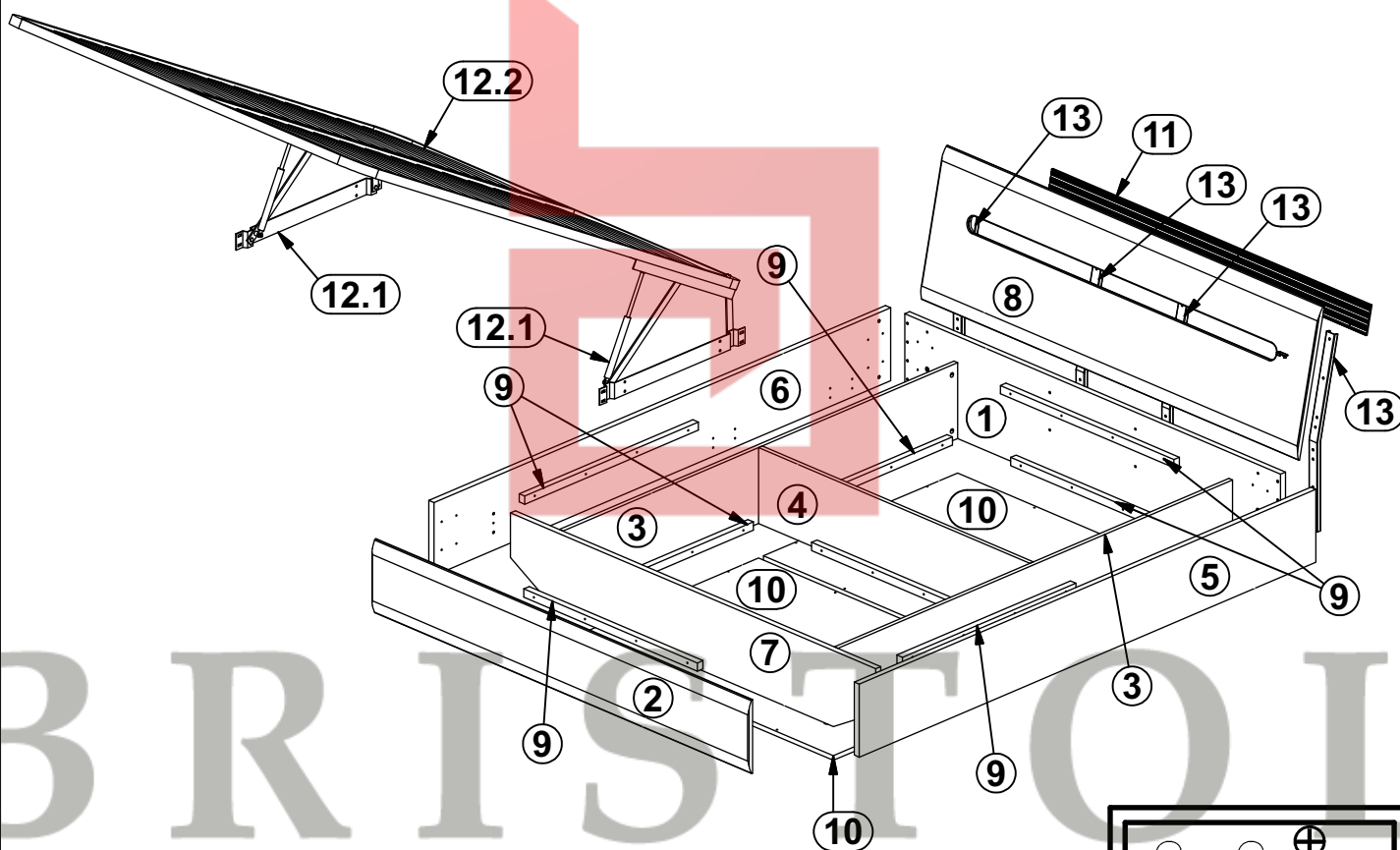
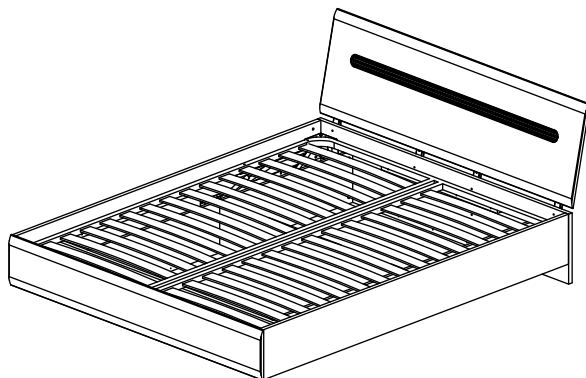


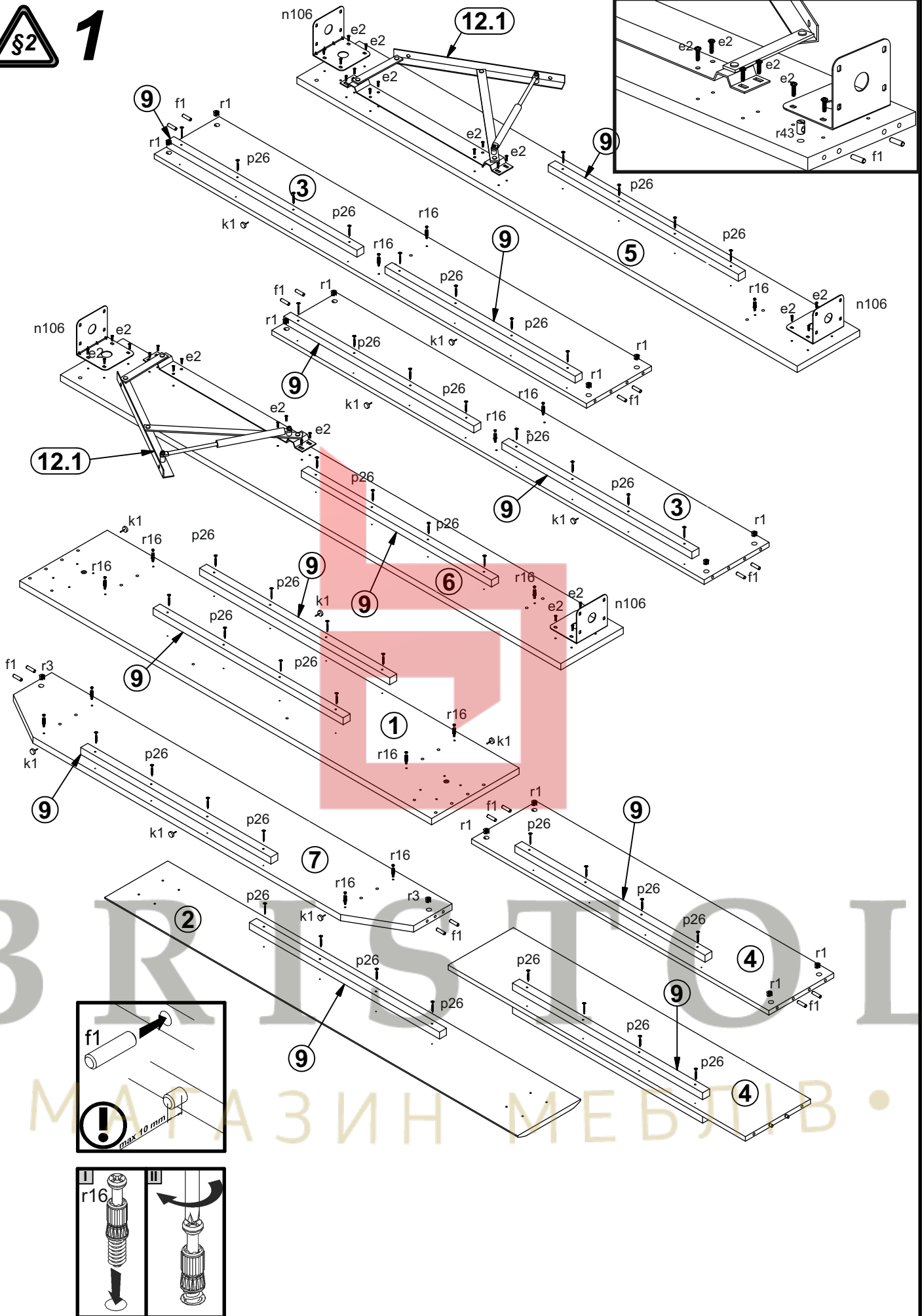
A	B	C	D	
1	S205-047	1646	350	2/6
2	S205-048	1650	252	3/6
3	S205-170	1728	260	2/6
4	S205-171	1188	260	2/6
5	S205-172	2000	250	1/6
6	S205-173	2000	250	1/6
7	S205-174	1600	260	2/6
8	S205-707	1650	503	3/6
9	S205-511	760	28	2/6
10	S205-512	851	1178	4/6
11	S205-5584	1397	100	3/6
12	Основание с подъемн. мех.			5/6
13	n64			6/6



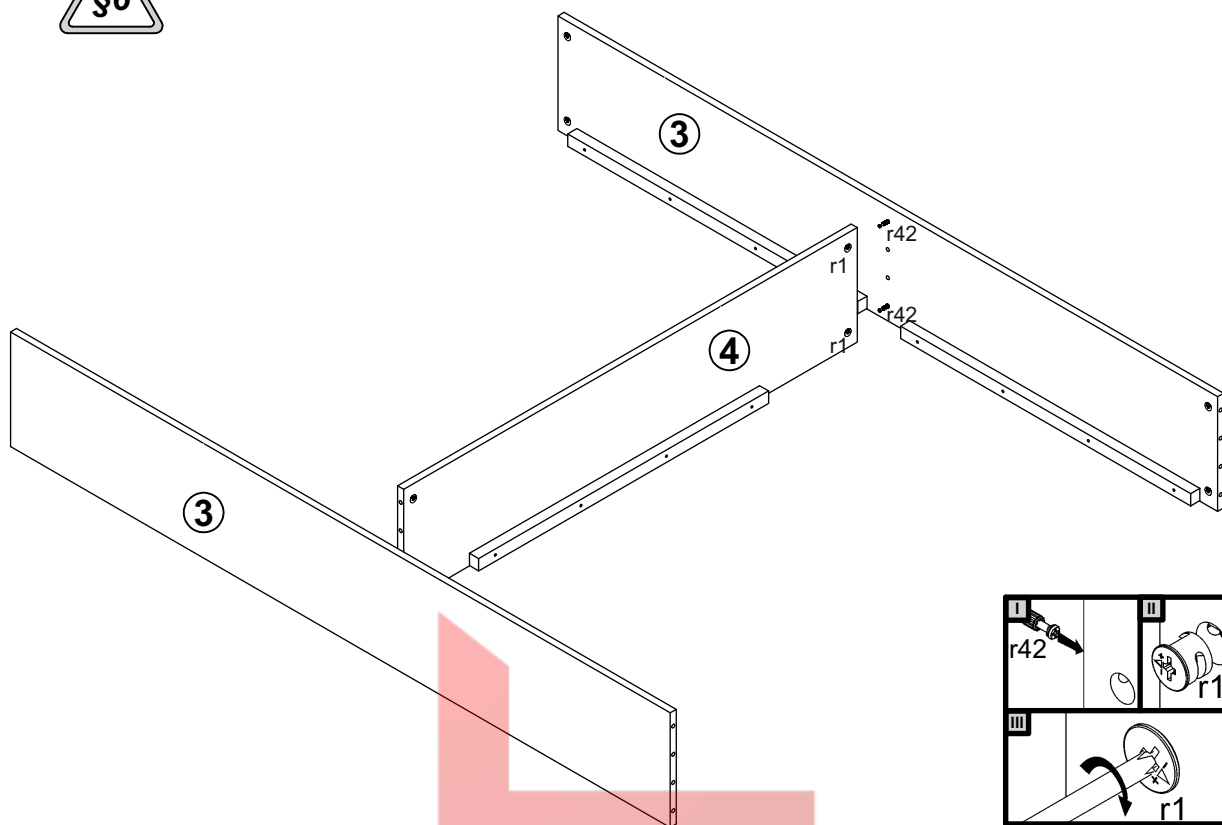
4x φ6,3x20 mm e17	54x φ6,3x13 mm e2	20x φ8x30 mm f1	8x M6 j10	8x φ6x35 mm j115	4x M6x84 mm j117	10x k1	8x φ6xφ12(14) mm o40	4x φ13x φ7/6 mm o81
8x φ3,5x16 mm p38	24x φ3x30 mm p125	48x φ4x35 mm p26	4x φ10x16 mm r43	1x z1	12x φ15x12 mm #16 r1	14x r42	4x 115x115x122 mm n106	



1



2



3

