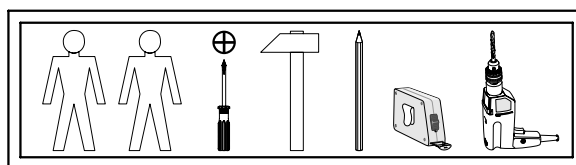
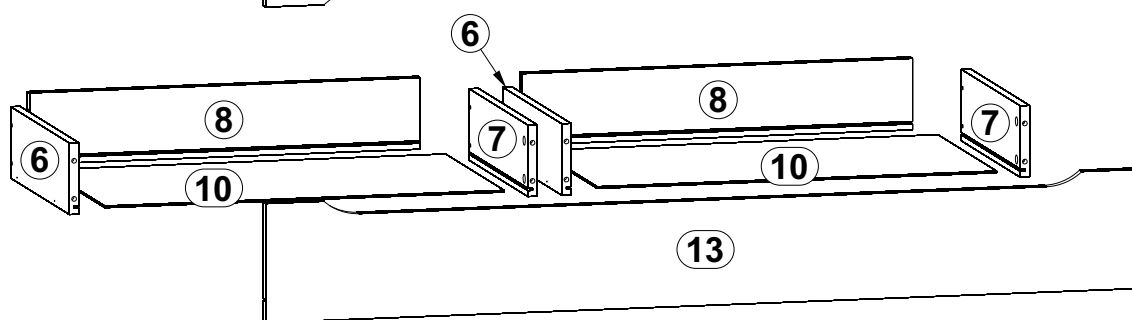
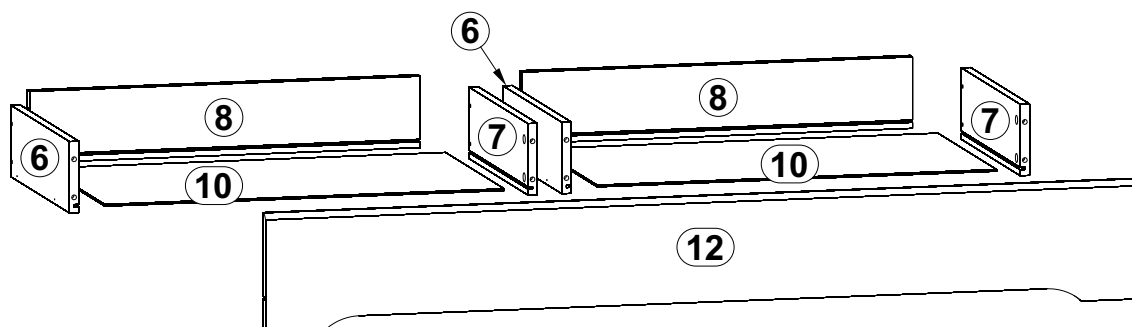
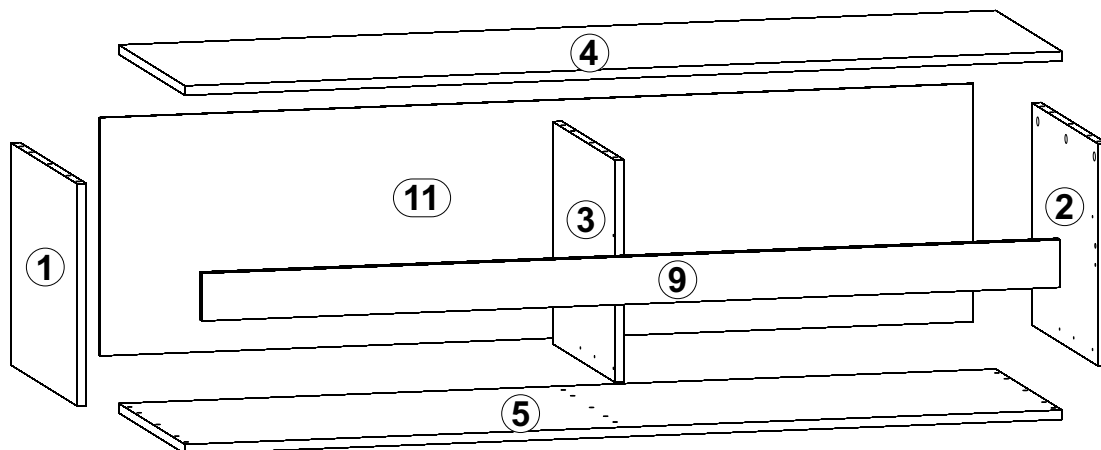


ЕЛЬПАСО / ЭЛЬПАССО

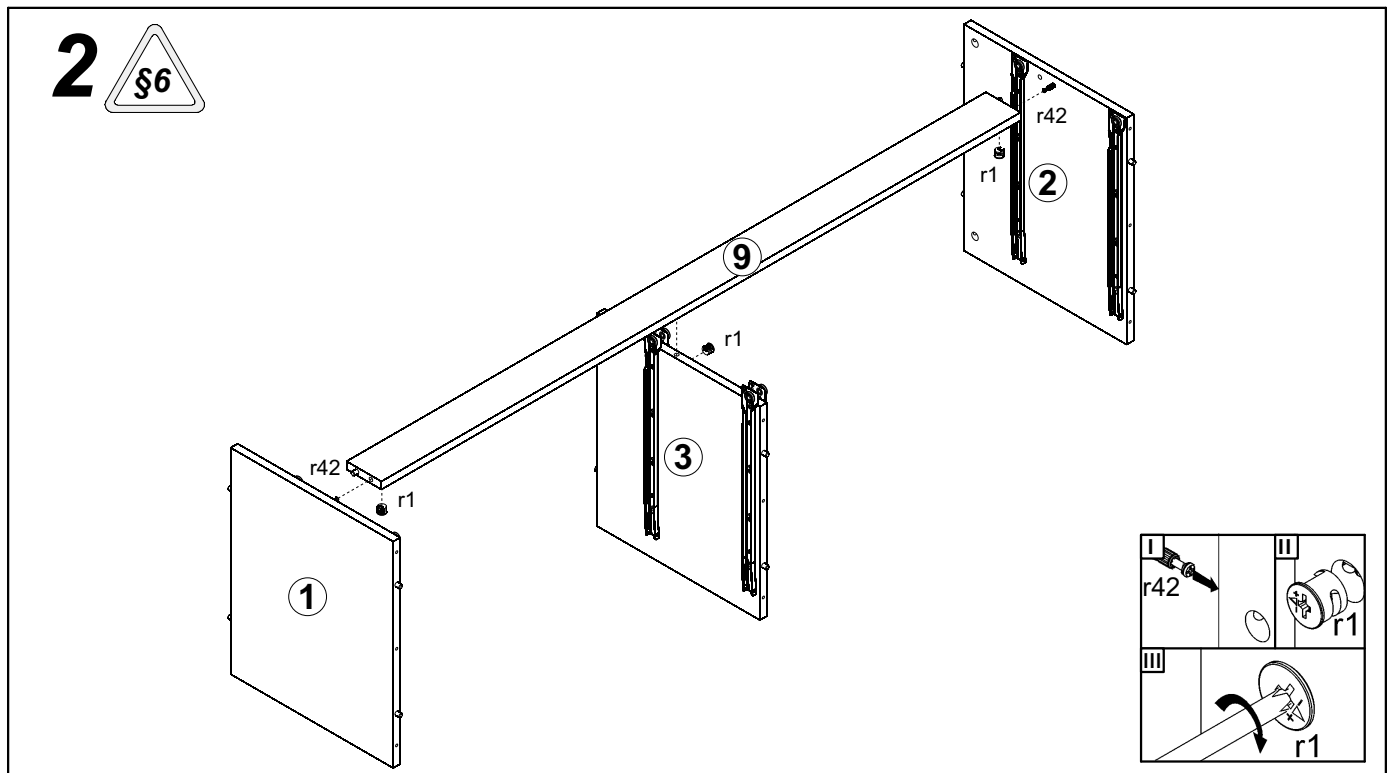
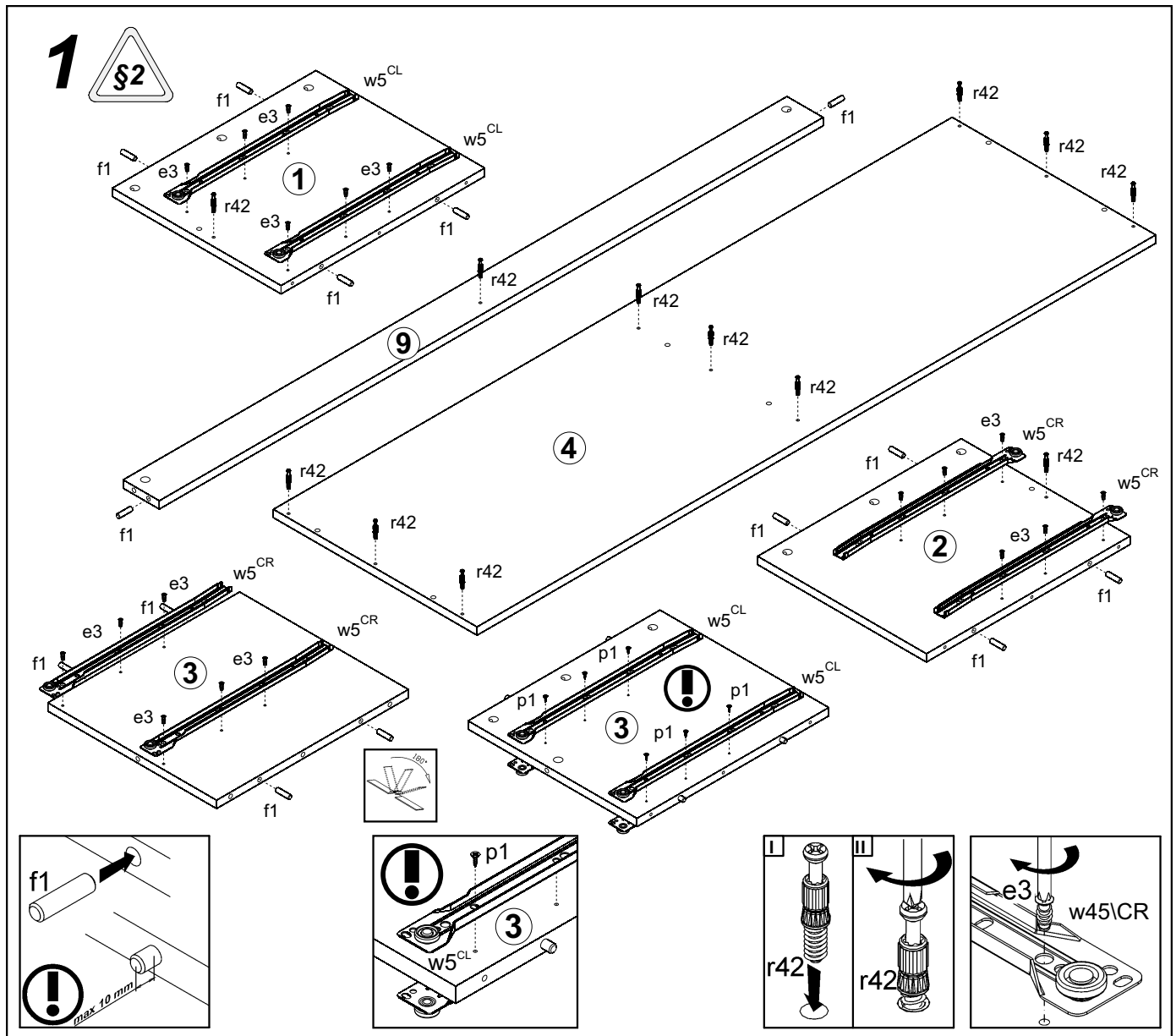
Тумба RTV2S

A	B	C	D
1	S314-131	373	450 1/2
2	S314-132	373	450 1/2
3	S314-133	373	424 1/2
4	S314-218	1500	450 1/2
5	S314-219	1500	450 1/2
6	S314-560	400	120 1/2
7	S314-561	400	120 1/2

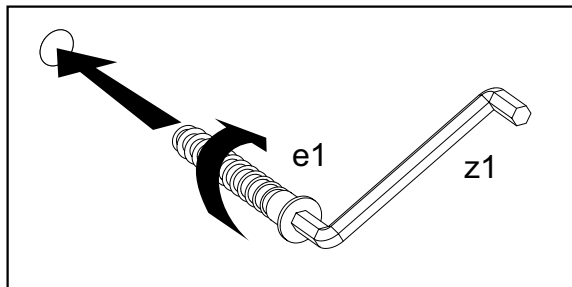
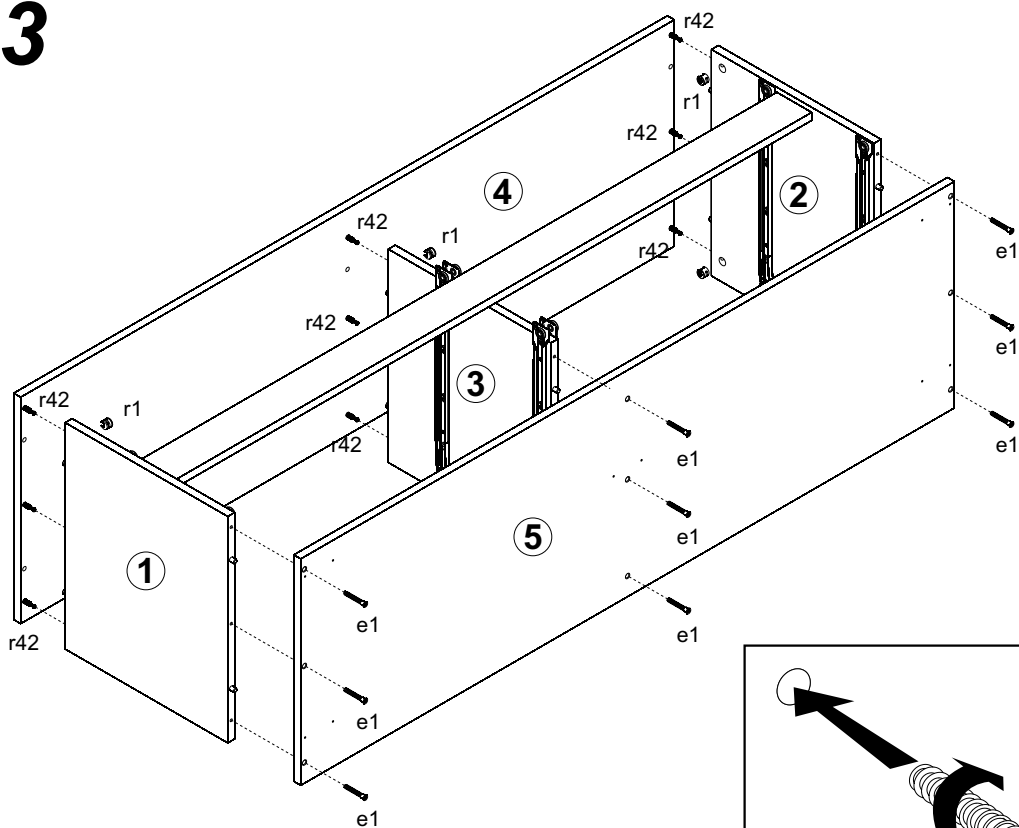
A	B	C	D
8	S314-562	668	120 1/2
9	S314-577	1467	80 1/2
10	S314-916	399	683 1/2
11	S314-917	1494	400 1/2
12	S314-039	1496	200 2/2
13	S314-040	1496	200 2/2



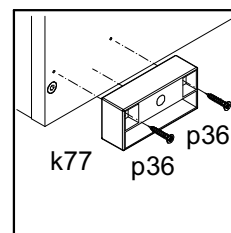
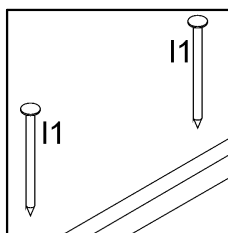
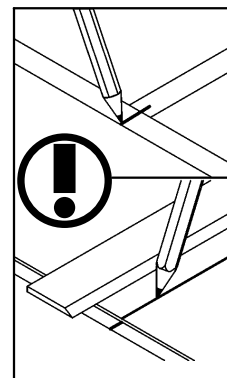
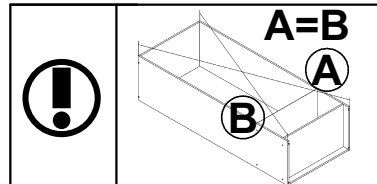
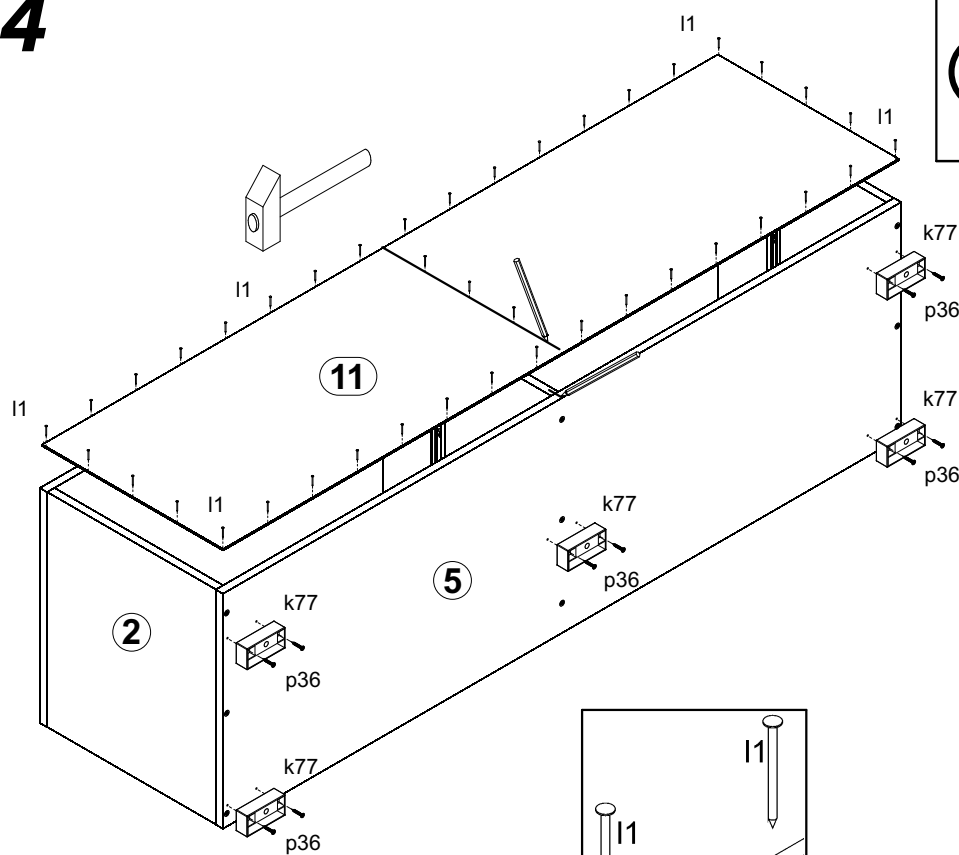
9x φ7x50 mm e1	18x φ6x13 mm e3	16x φ5x50 mm e32	14x φ8x30 mm f1	5x 84x40/25 mm k77	45x l1	6x φ3,5x13 mm p1	8x φ3,5x16 mm p25
10x φ4x25 mm p36	16x φ3x12 mm p54	28x φ15x12 mm #16 r1	28x 20/11 r42	4x 383 mm t14	4x 400 mm w5 ^{CL}	4x 400 mm w5 ^{CR}	4x 400 mm w5 ^{DL}
4x 400 mm w5 ^{DR}	19x φ16 s2	1x z1					



3



4



5

