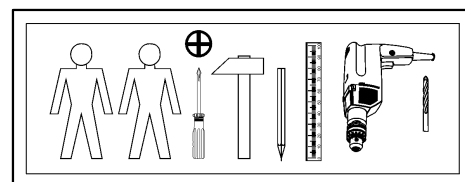
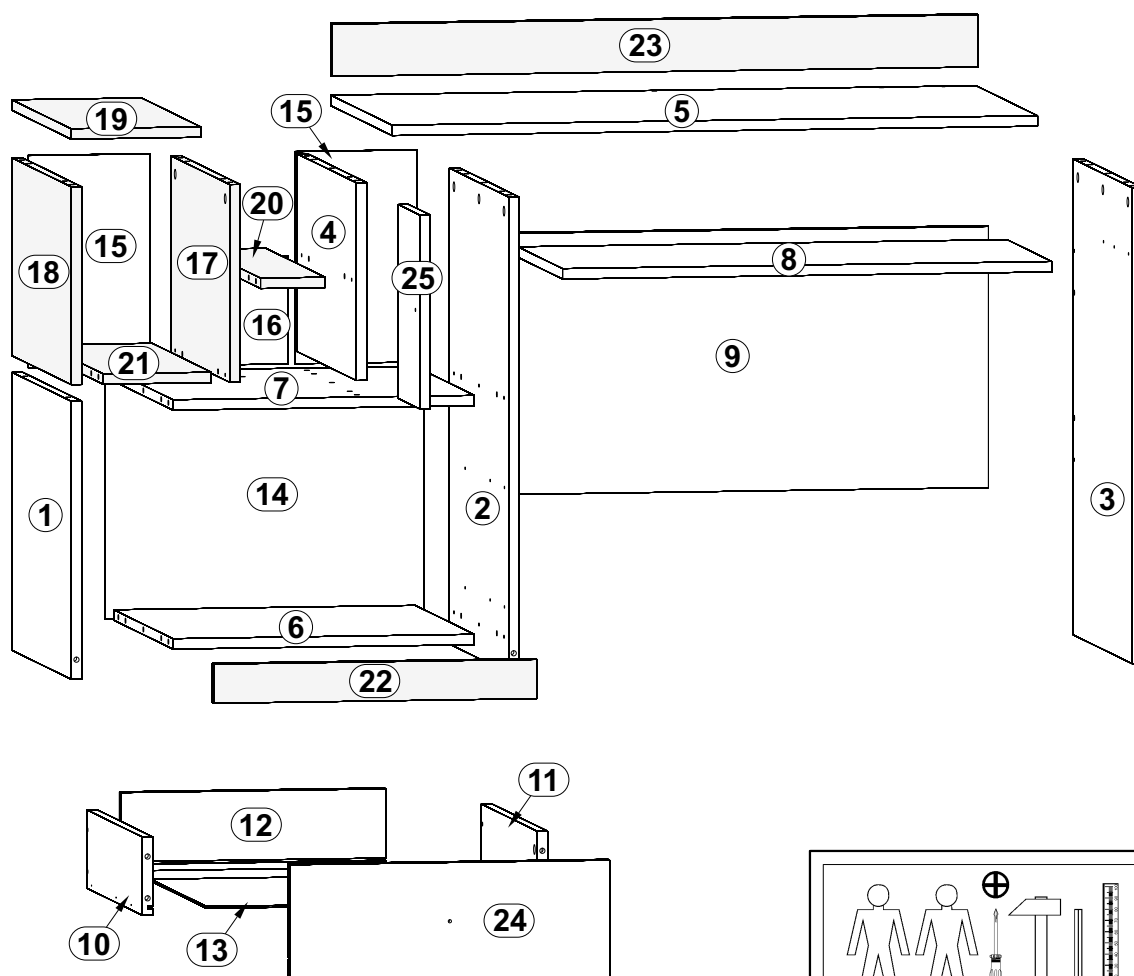
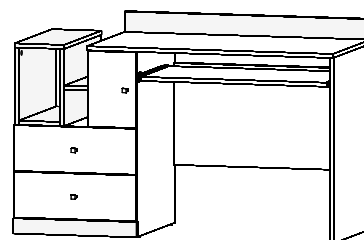


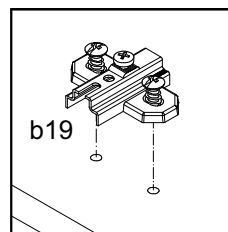
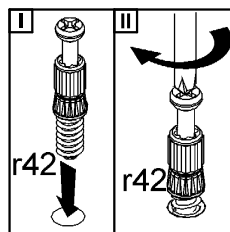
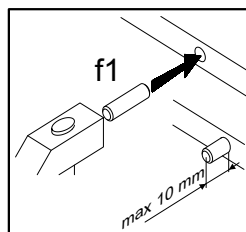
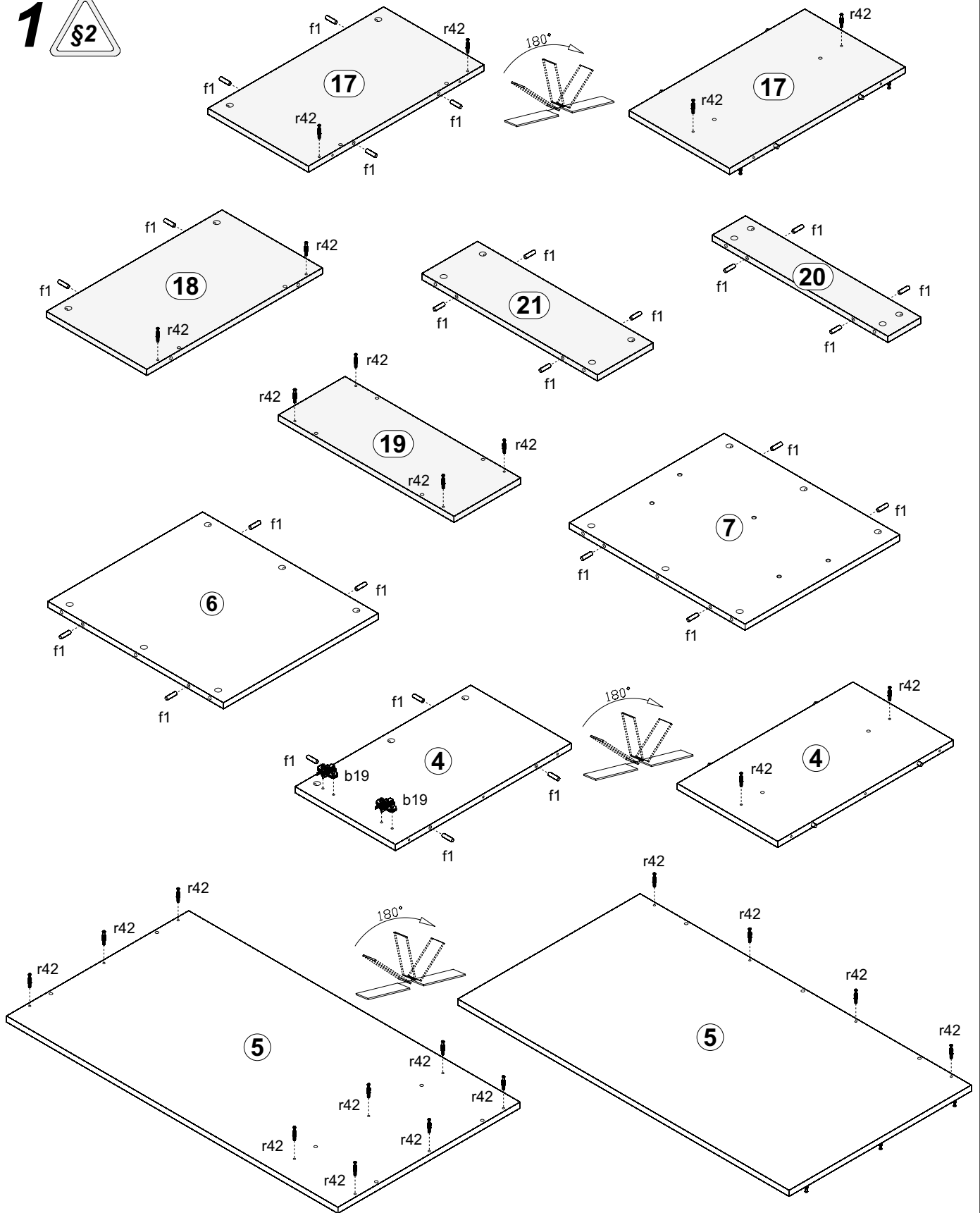
A	B	C	D	
1	MO1-117	426	530	1/3
2	MO1-118	729	530	1/3
3	MO1-119	729	530	1/3
4	MO1-120	303	530	1/3
5	MO1-201	1000	550	1/3
6	MO1-310	467	530	1/3
7	MO1-311	467	530	1/3
8	MO1-314	758	400	1/3
9	MO1-404	783	400	1/3
10	MO1-504	500	120	1/3
11	MO1-505	500	120	1/3
12	MO1-509	410	120	1/3
13	MO1-912	425	499	1/3

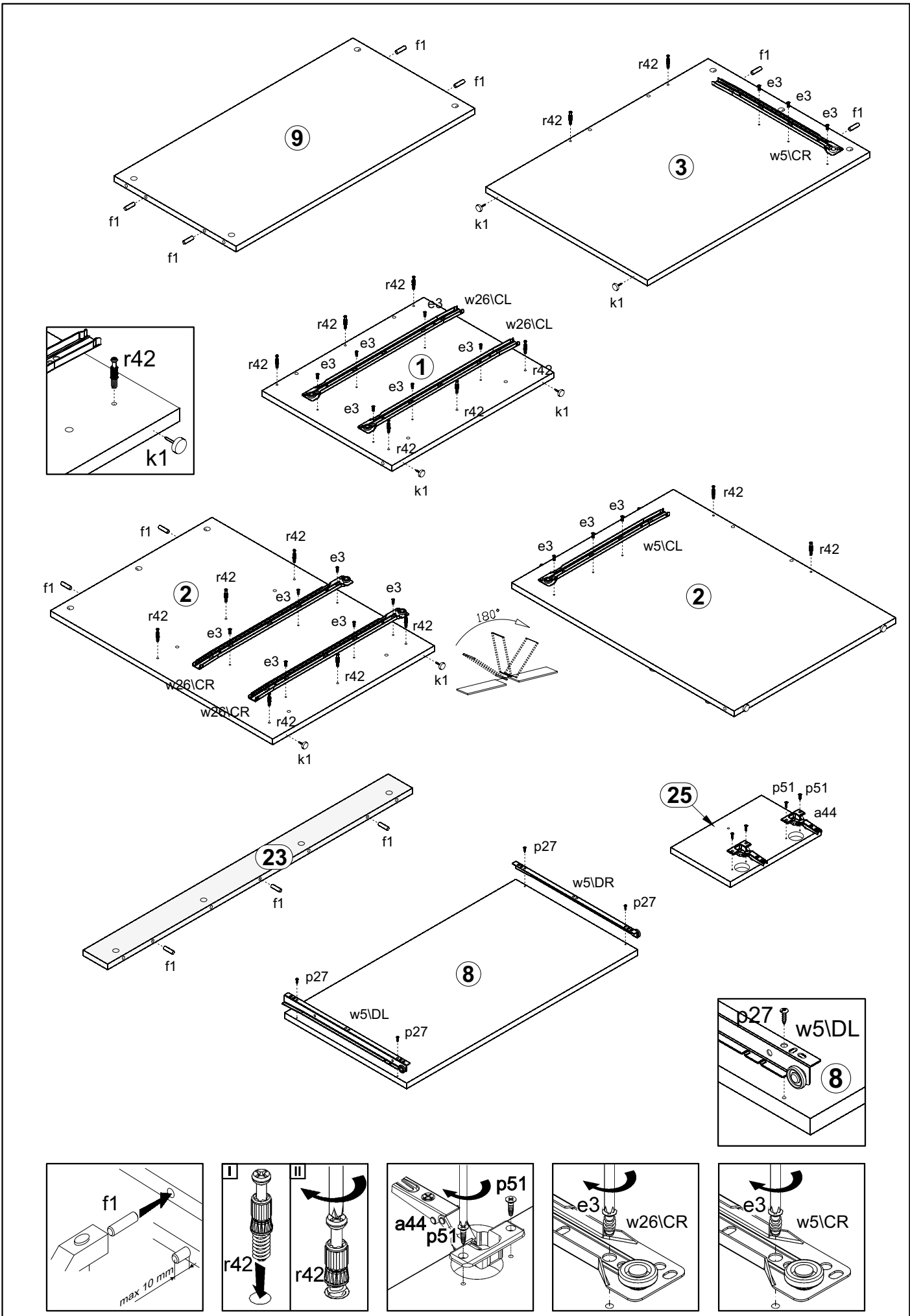
A	B	C	D	
14	MO1-913	370	494	1/3
15	MO1-914	325	189	1/3
16	MO1-915	165	114	1/3
17	MO1-121	303	530	2/3
18	MO1-122	303	530	2/3
19	MO1-202	201	530	2/3
20	MO1-312	100	530	2/3
21	MO1-313	168	530	2/3
22	MO1-403	500	60	2/3
23	MO1-405	1000	80	2/3
24	MO1-007	495	180	3/3
25	MO1-008	297	195	3/3



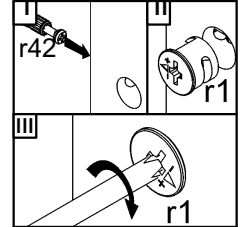
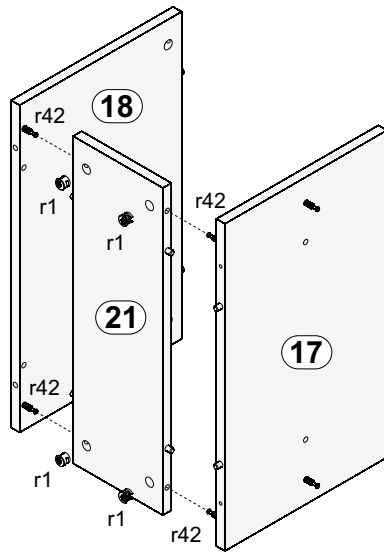
2x a44	2x b19	3x c68	5x e1 φ7x50 mm	18x e3 φ6x13 mm	8x e32 φ5x50 mm	39x f1 φ8x30 mm	2x f6 φ8x50 mm
3x j8 M4x25 mm	6x k1	50x l1	4x p27 φ3,5x13 mm	4x p51 φ3,5x15 mm	12x p54 φ3x12 mm	49x r1 φ15x12mm #16	49x r42 20/11
17x s2 ø16	8x s2 ø16	1x w5 ^{CL} 400 mm	1x w5 ^{CR} 400 mm	1x w5 ^{DL} 400 mm	1x w5 ^{DR} 400 mm	2x w26 ^{CL} 500 mm	2x w26 ^{CR} 500 mm
2x w26 ^{DL} 500 mm	2x w26 ^{DR} 500 mm	1x z1	1x y1 Клей				

1

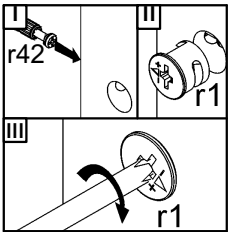
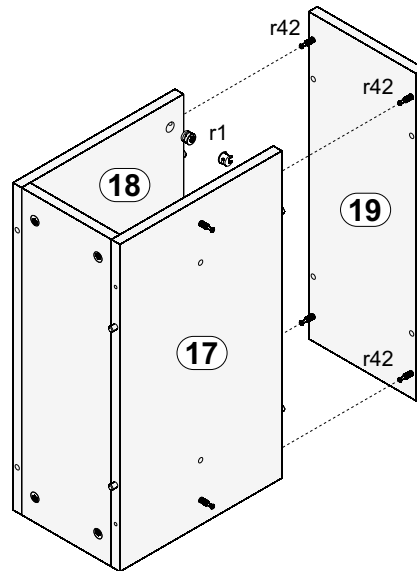




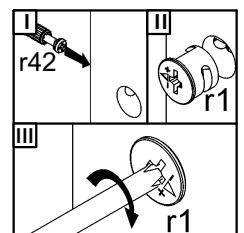
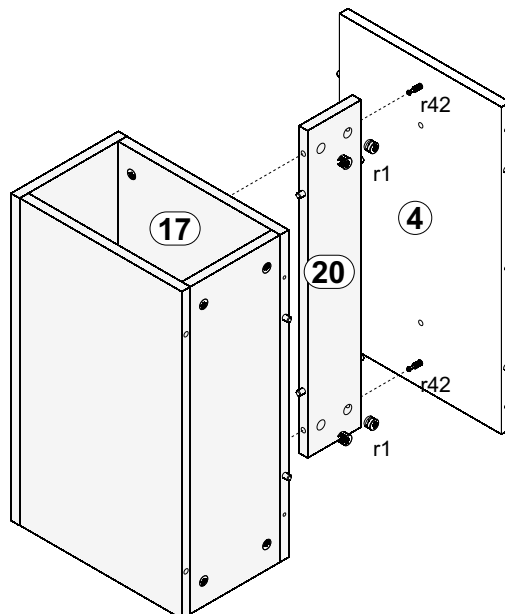
2



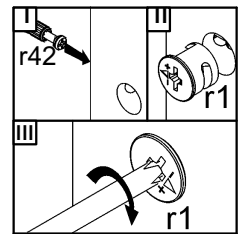
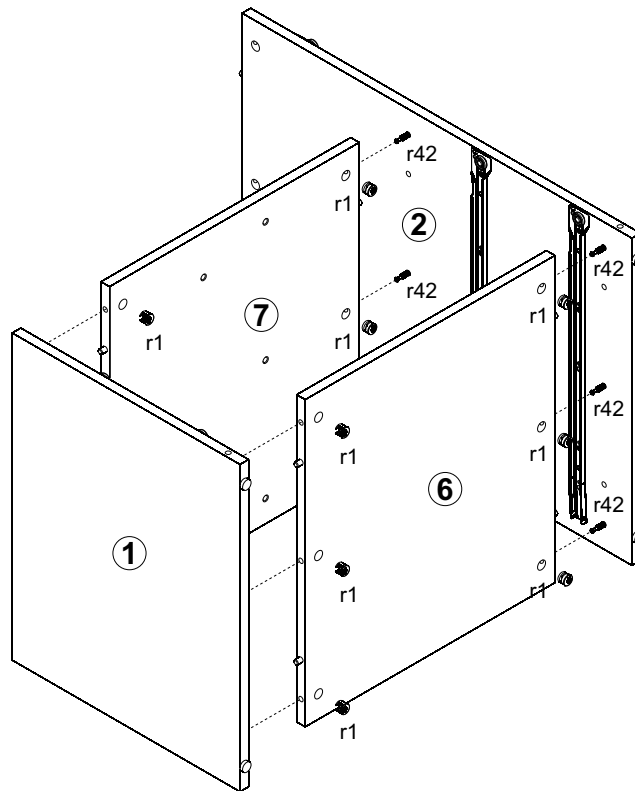
3



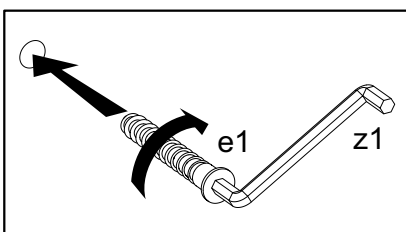
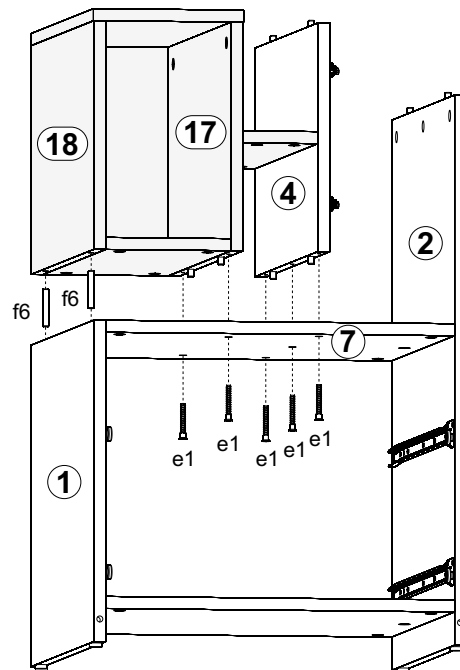
4



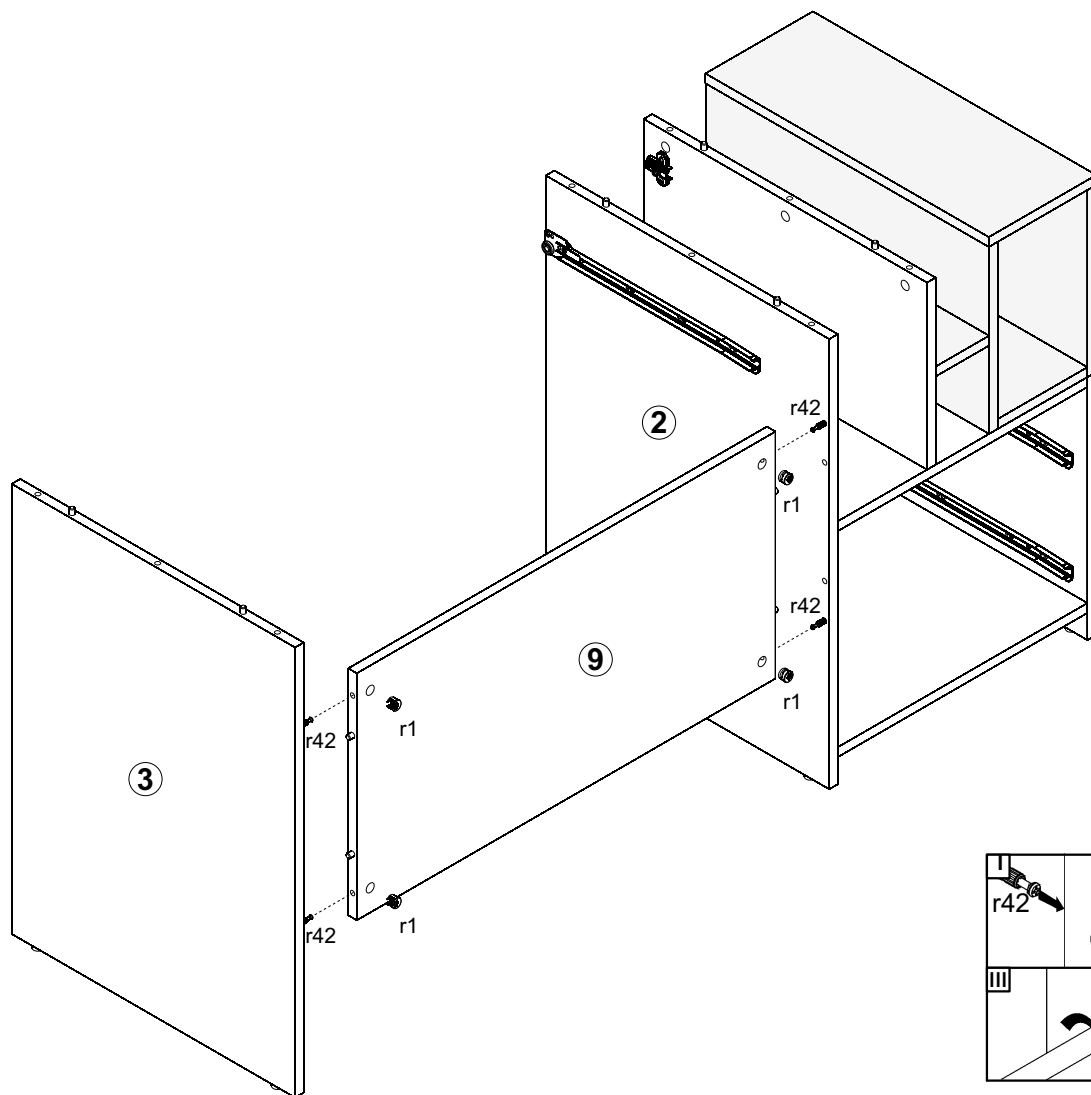
5



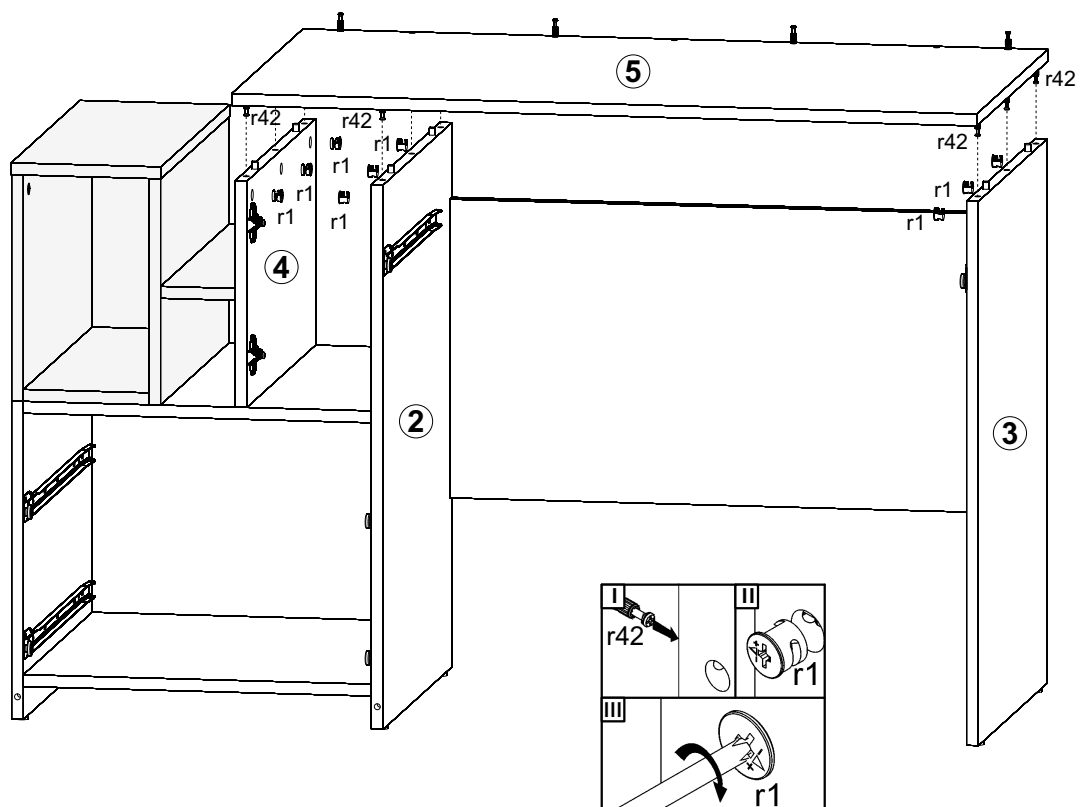
6



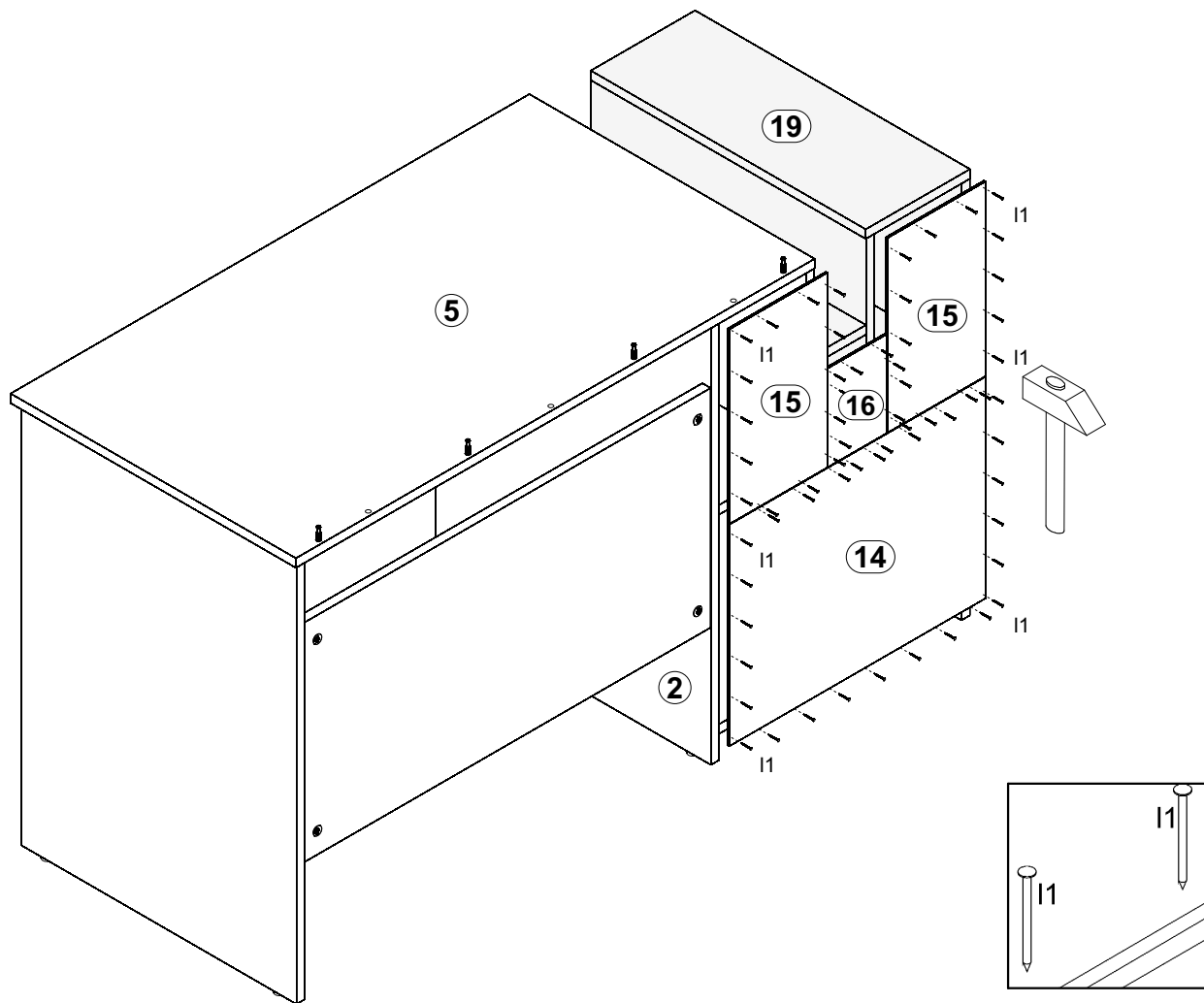
7



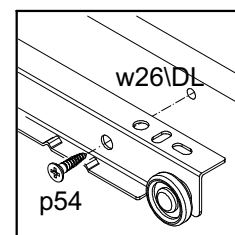
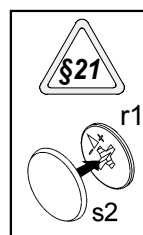
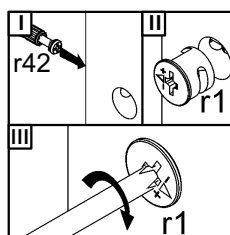
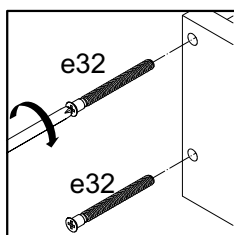
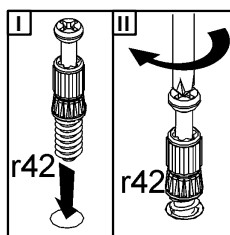
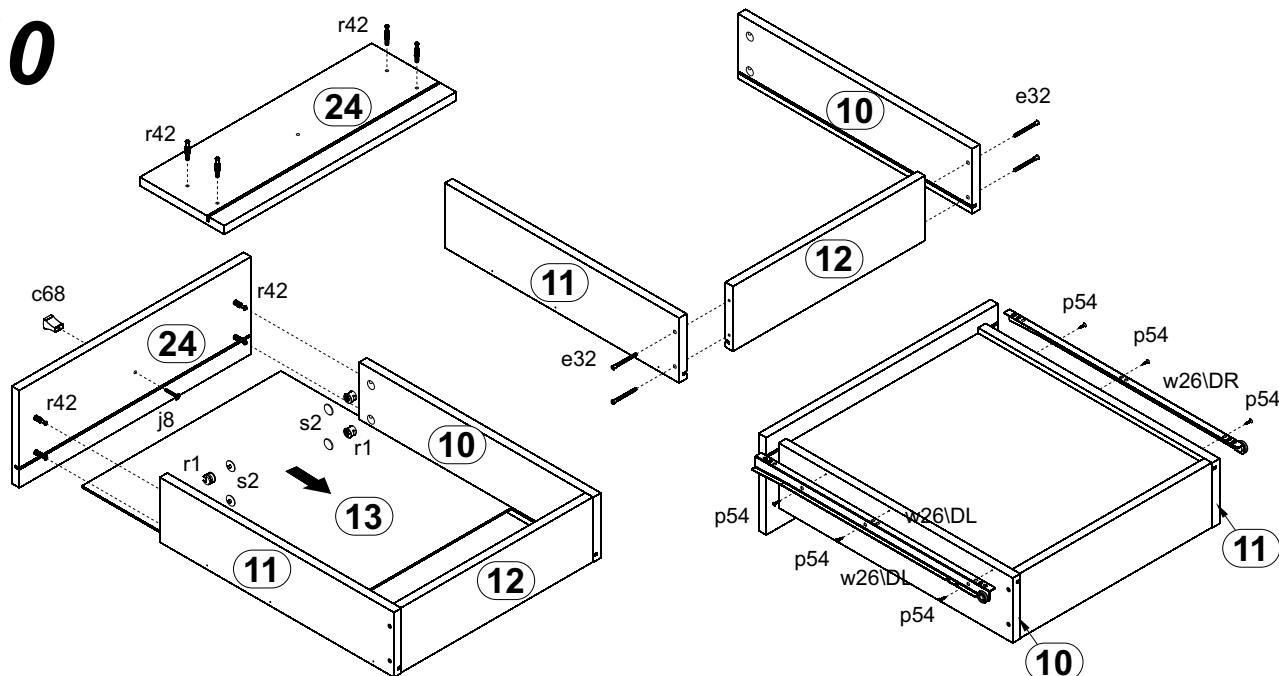
8



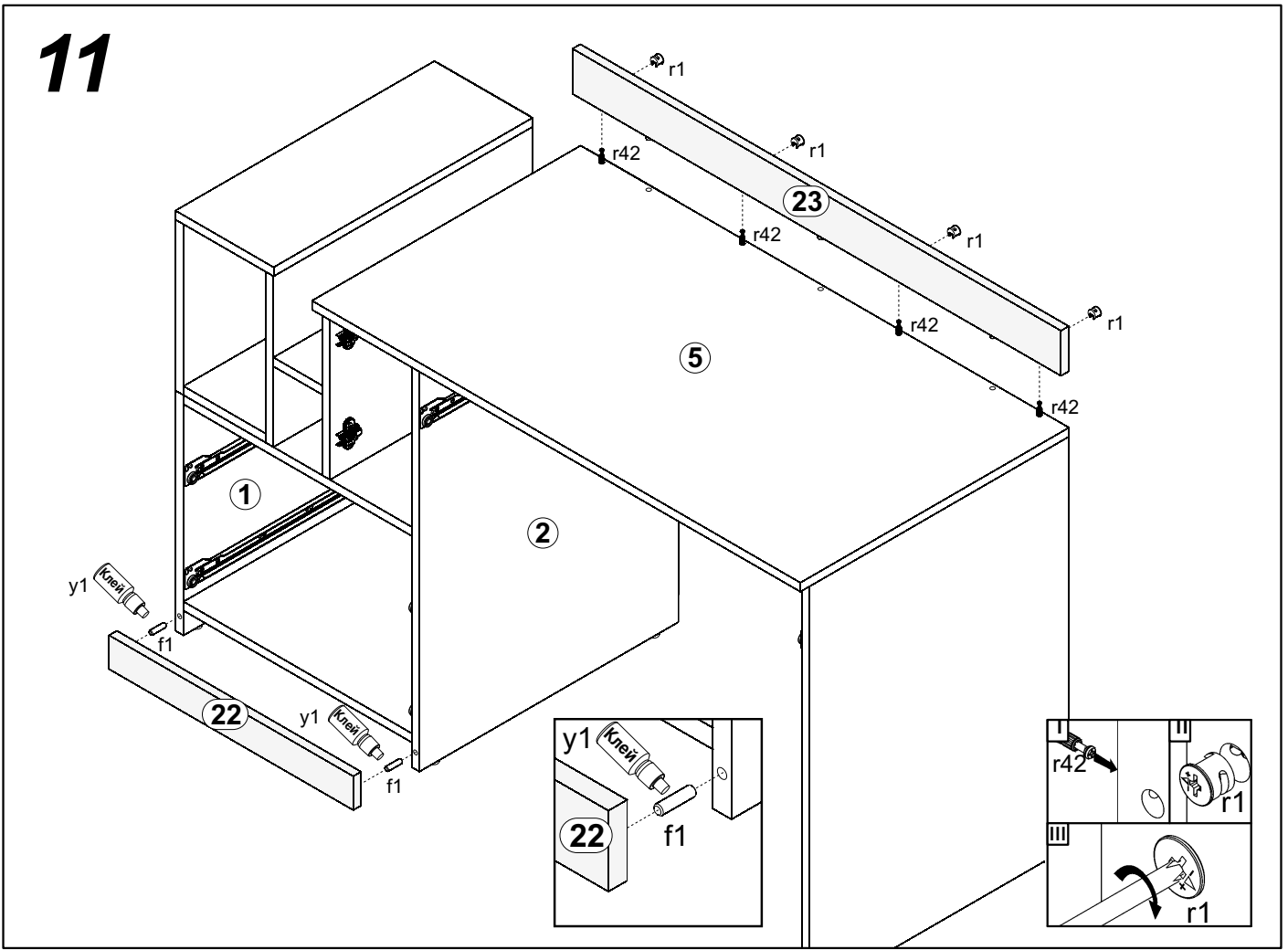
9



10



11



12

