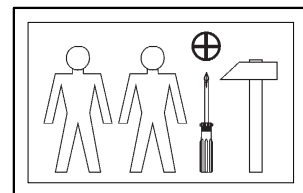
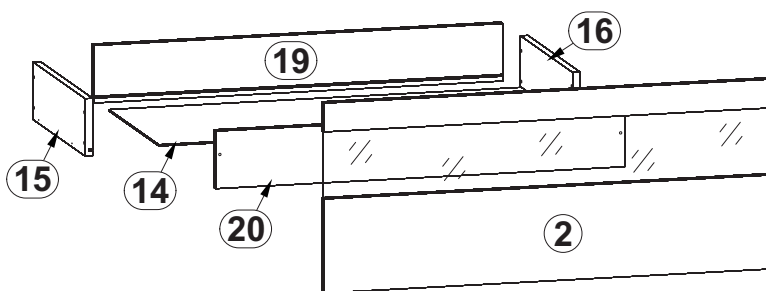
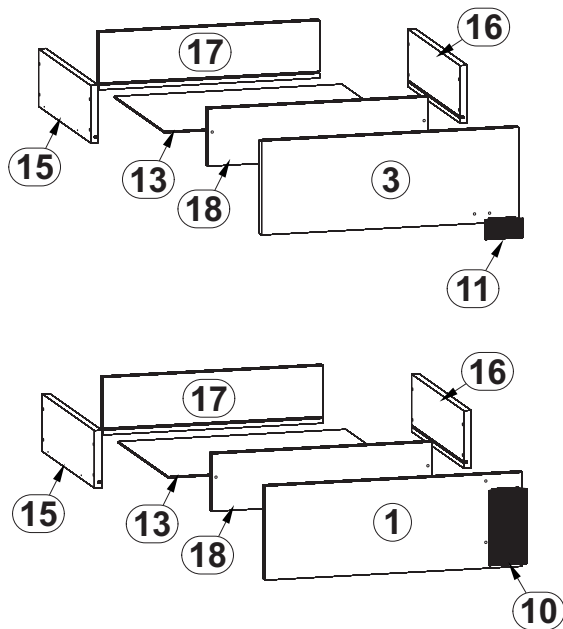
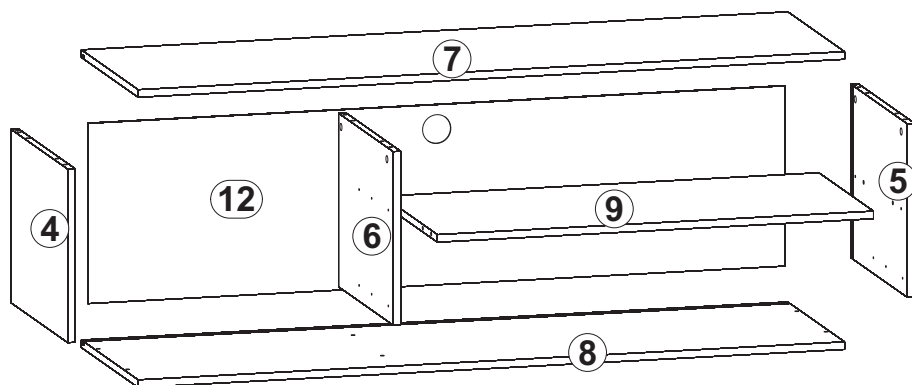
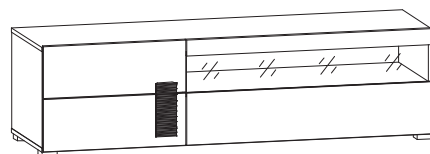
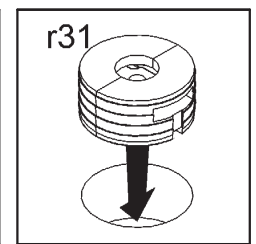
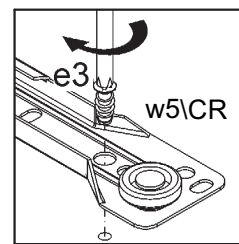
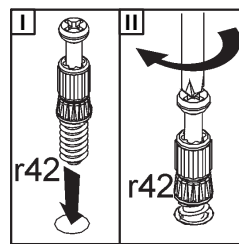
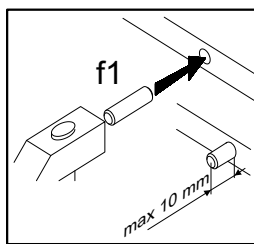
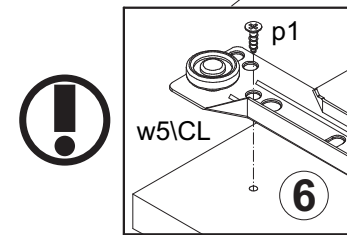
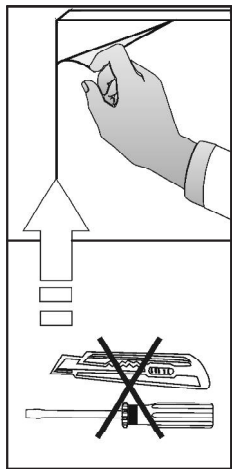
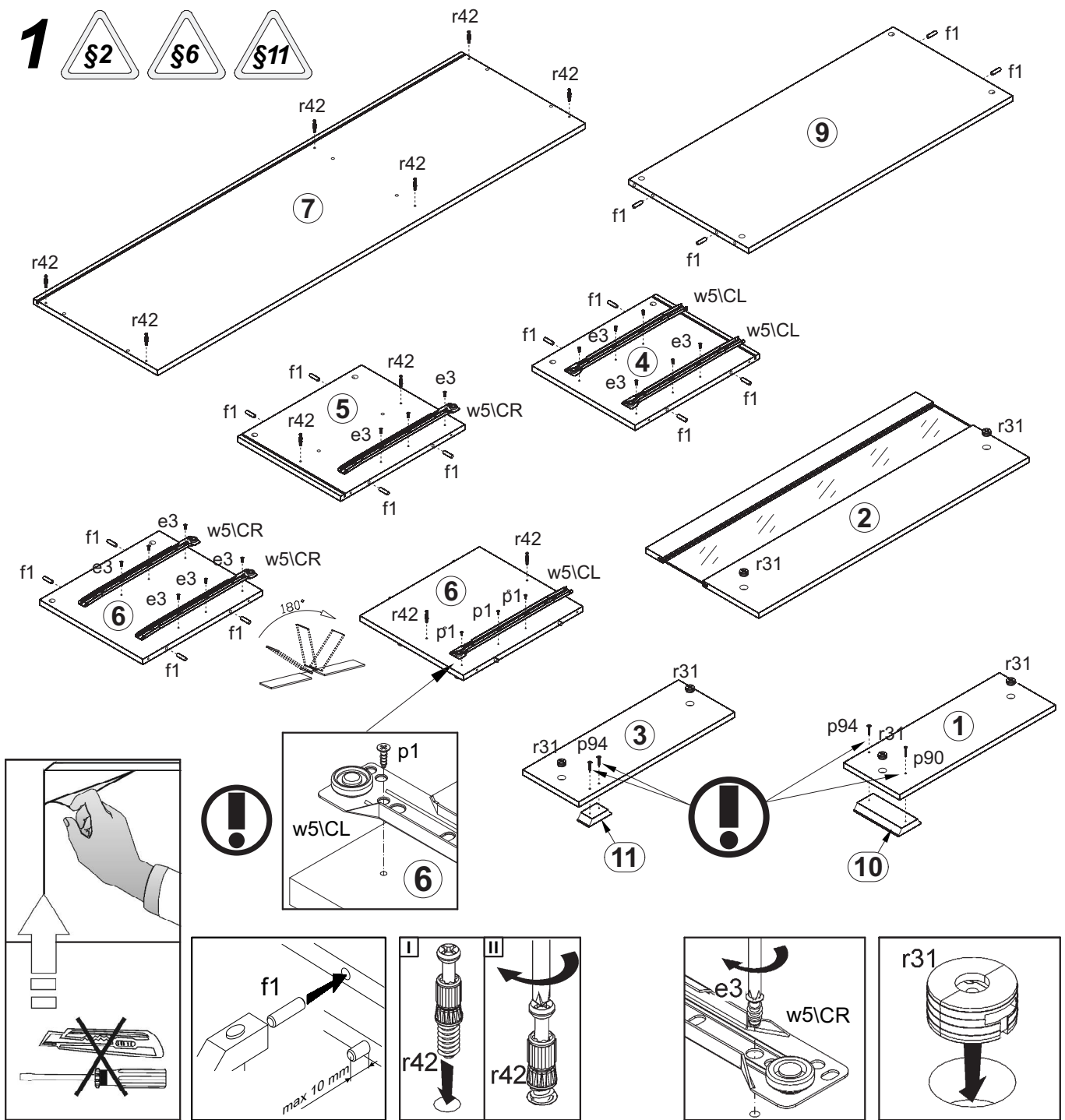


A	B	C	D	A	B	C	D		
1	S190-003	546	196	3/4	11	S190-555	40	80	2/4
2	S190-004	947	396	4/4	12	S190-926	1481	376	1/4
3	S190-014	546	196	3/4	13	S190-907	483	383	1/4
4	S190-107	362	435	1/4	14	S190-910	884	383	1/4
5	S190-108	362	435	1/4	15	S190-501	400	120	1/4
6	S190-109	362	419	1/4	16	S190-502	400	120	1/4
7	S190-205	1500	435	1/4	17	S190-511	468	120	1/4
8	S190-206	1500	435	1/4	18	S190-512	468	120	1/4
9	S190-302	926	419	1/4	19	S190-567	869	120	1/4
10	S190-553	156	80	2/4	20	S190-568	869	120	1/4

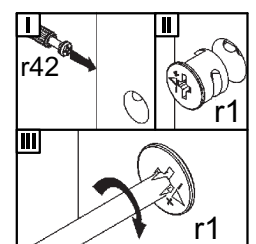
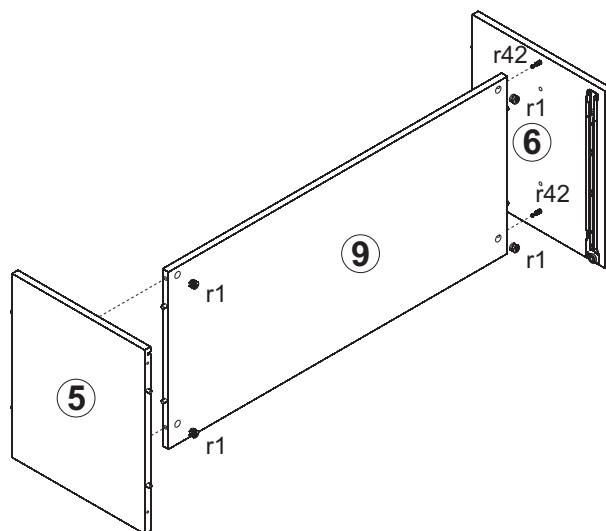


6x φ7x50 mm e1	25x φ6x13 mm e3	24x φ5x50 mm e32	16x φ8x30 mm f1	6x M4x22 mm j30	5x k8211	5x k8212	16x l2
3x φ3,5x13 mm p1	2x φ3,5x16 mm p25	12x φ3x12 mm p54	1x φ4x28 mm p90	3x φ4x28 mm p94	10x φ15x12mm #16 r1	6x φ21x10mm r31	10x 20/11 r42
6x φ16 s2	1x 367 mm t100	3x 400 mm w5 <sup>CL</sup>	3x 400 mm w5 <sup>CR</sup>	3x 400 mm w5 <sup>DL</sup>	3x 400 mm w5 <sup>DR</sup>	1x z1	

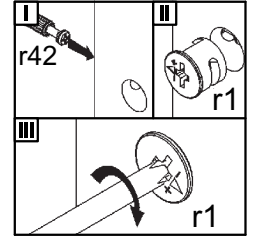
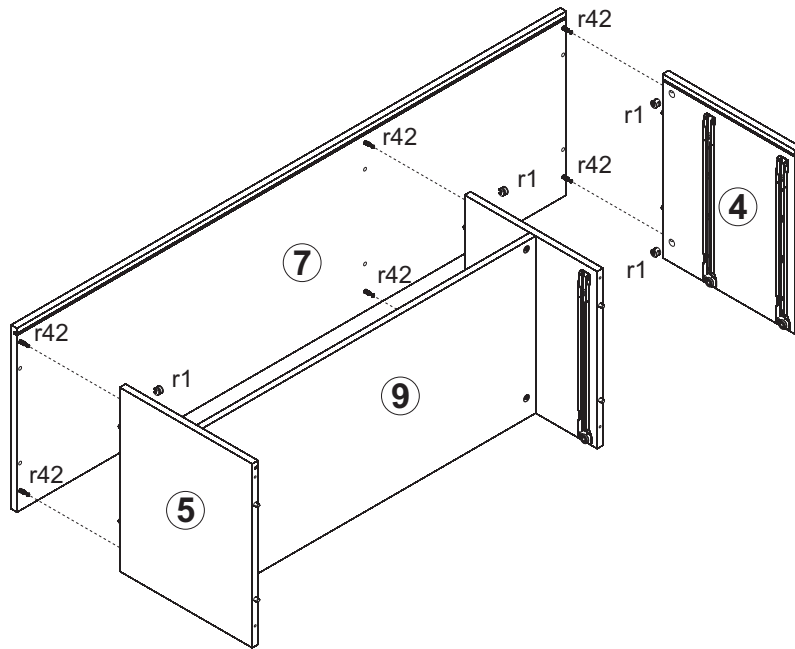
# 1



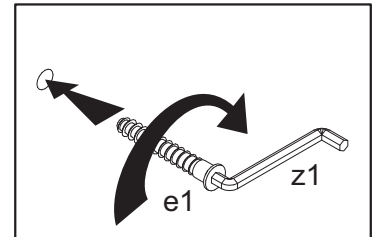
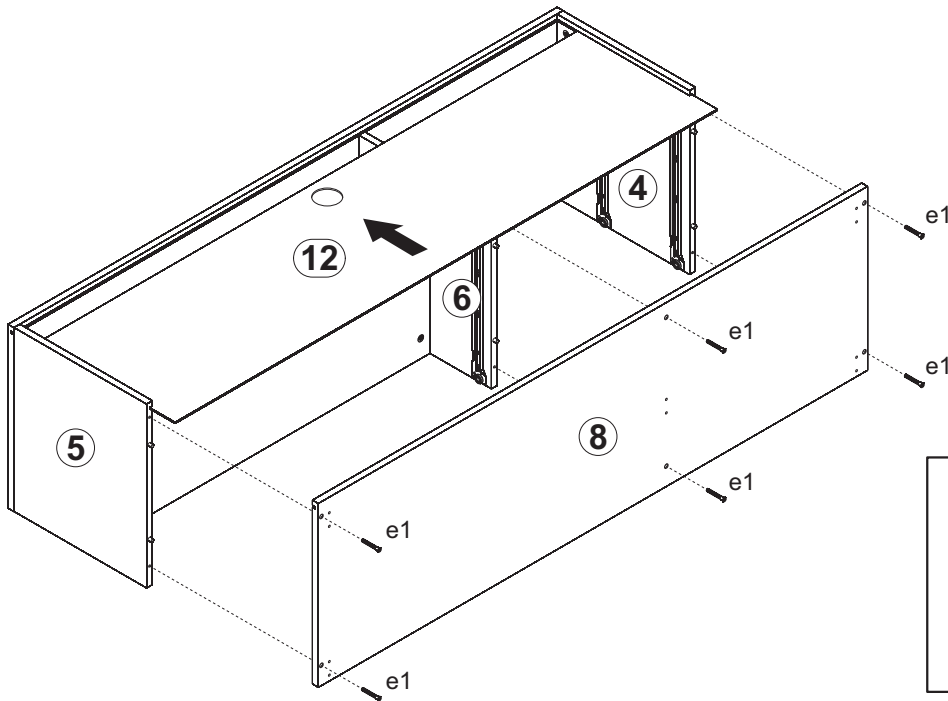
# 2



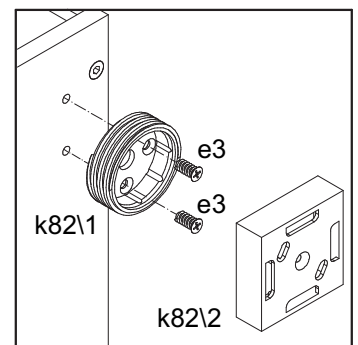
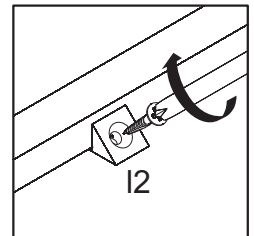
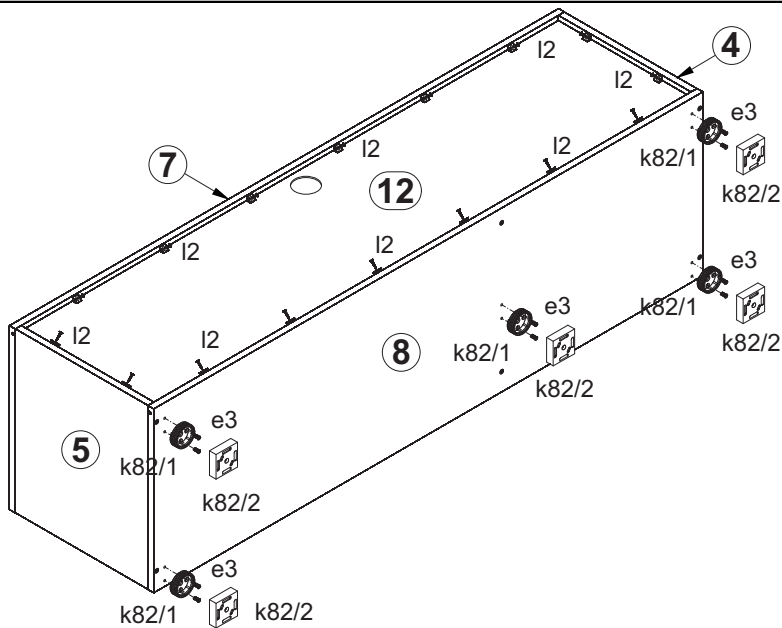
# 3



# 4



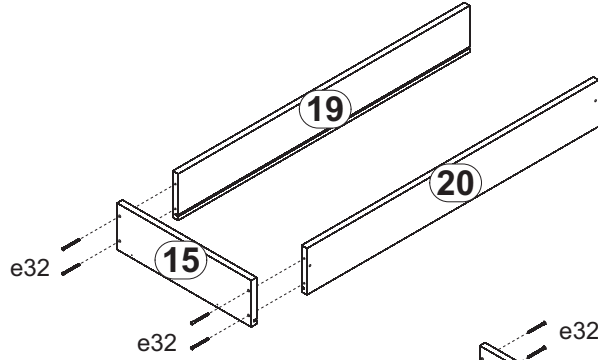
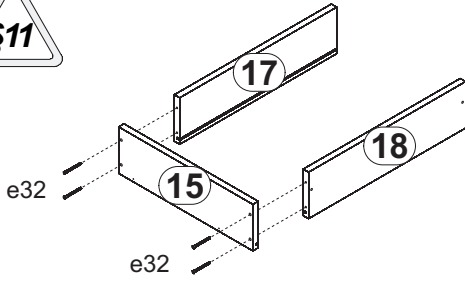
# 5



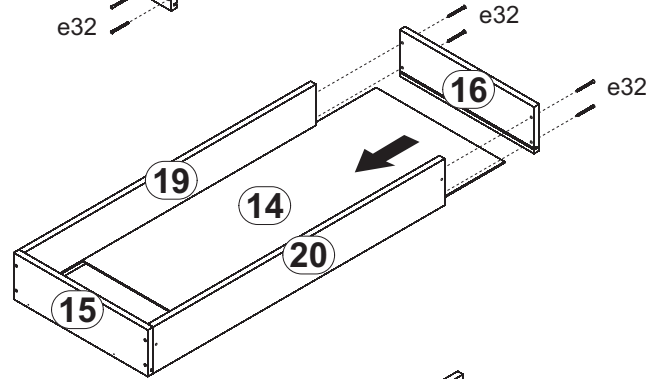
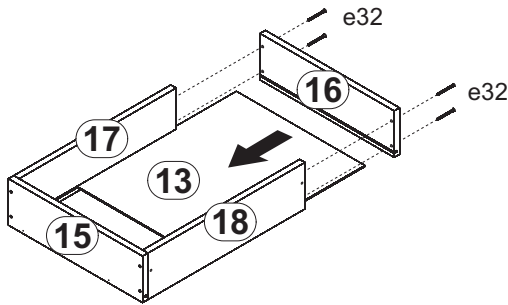
# 6



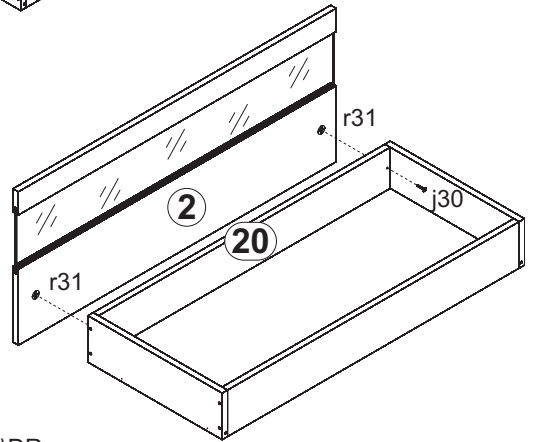
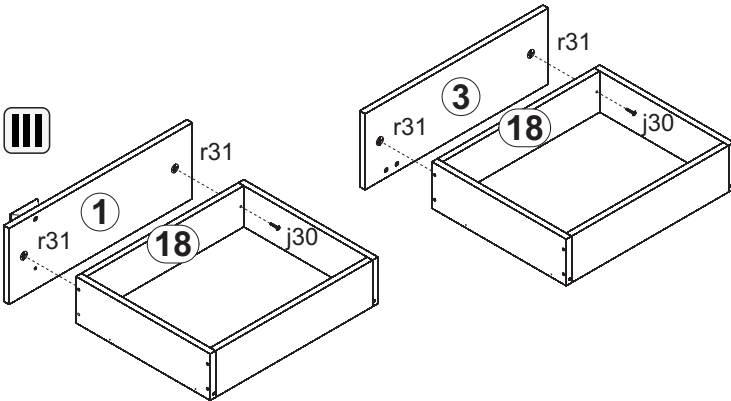
I



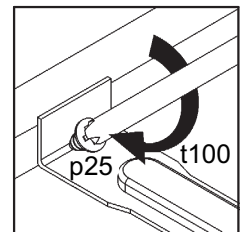
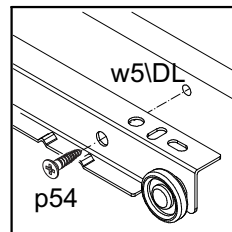
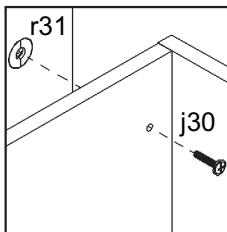
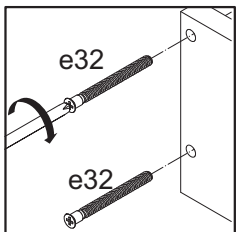
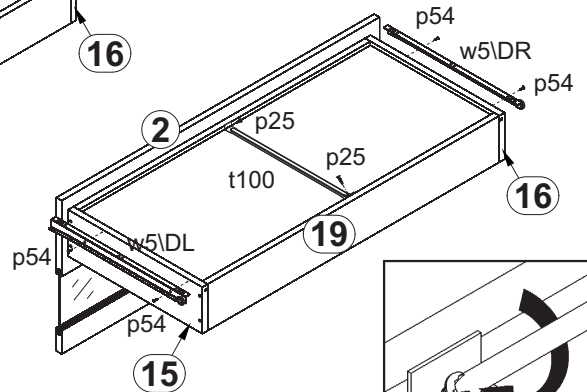
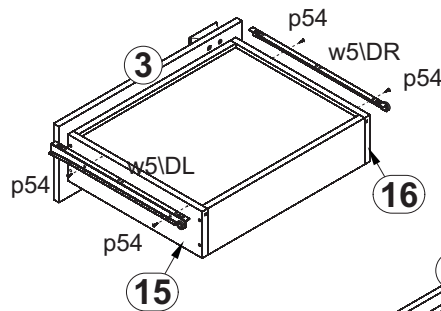
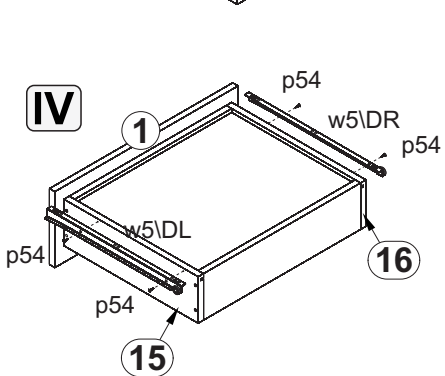
II



III



IV



# 7

