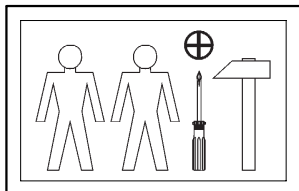
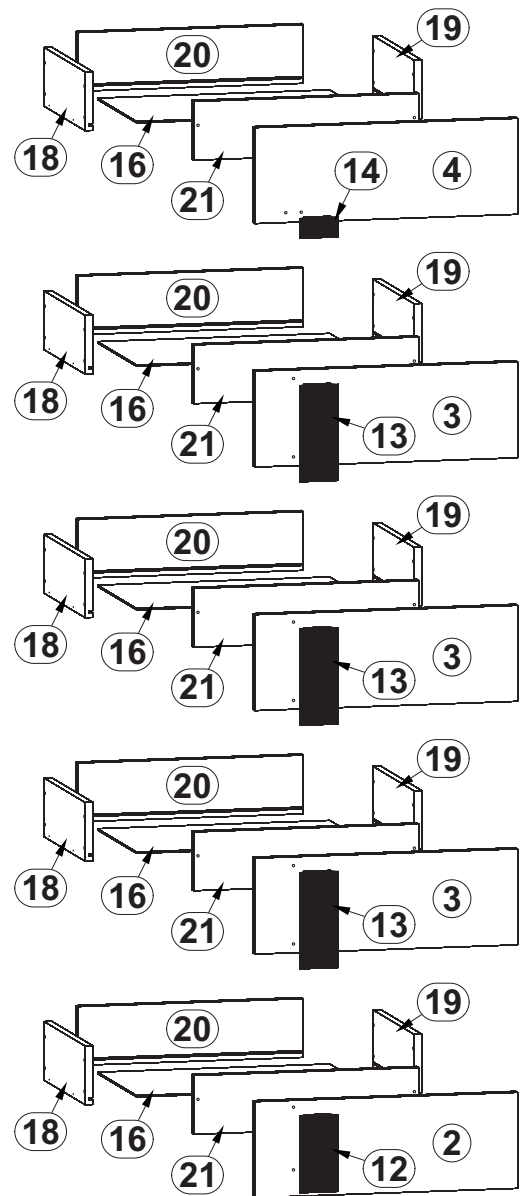
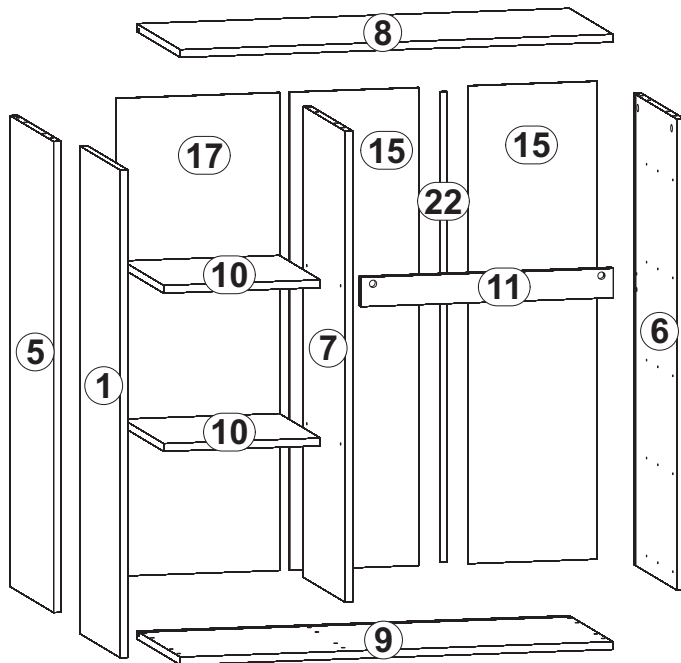
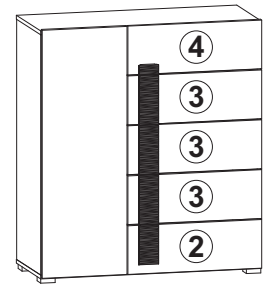
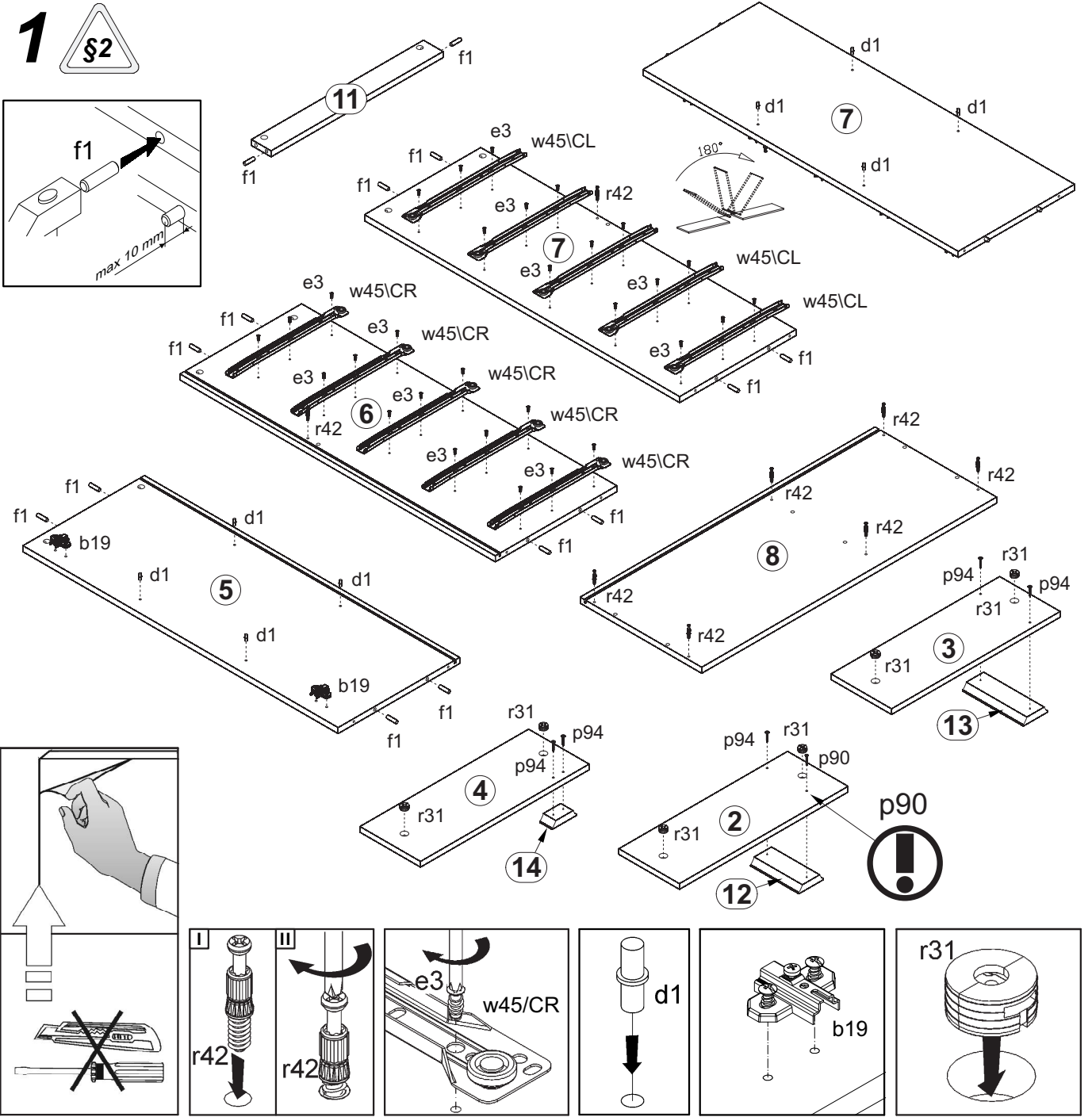
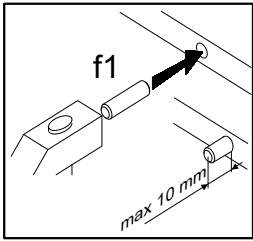


A	B	C	D	A	B	C	D		
1	S190-019	996	346	3/3	12	S190-553	156	80	2/3
2	S190-022	546	196	3/3	13	S190-554	196	80	2/3
3	S190-023	546	196	3/3	14	S190-555	40	80	2/3
4	S190-024	546	196	3/3	15	S190-918	976	269	1/3
5	S190-121	962	371	1/3	16	S190-919	483	333	1/3
6	S190-118	962	371	1/3	17	S190-921	976	340	1/3
7	S190-123	962	355	1/3	18	S190-505	350	120	1/3
8	S190-215	900	371	1/3	19	S190-506	350	120	1/3
9	S190-216	900	371	1/3	20	S190-511	468	120	1/3
10	S190-312	326	350	1/3	21	S190-512	468	120	1/3
11	S190-408	525	60	1/3	22	LH-961	961	14	1/3

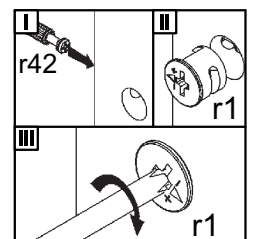
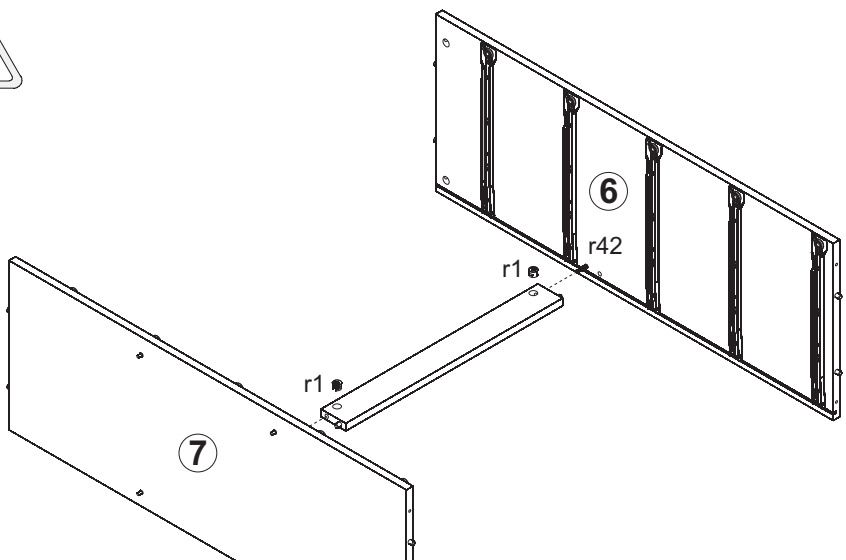


2x a44	4x D5 b19	8x d1 φ5x17 mm	6x e1 φ7x50 mm	40x e3 φ6x13 mm	40x e32 φ5x50 mm	14x f1 φ8x30 mm	10x j30 M4x22 mm	5x k8211
5x k8212	20x l1	16x l2	1x n2611	1x p38 φ3,5x16 mm	4x p51 φ3,5x15 mm	20x p54 φ3x12 mm	1x p90 φ4x28 mm	9x p94 φ4x28 mm
8x r1 φ15x12mm #16	10x r31 φ21x10mm	8x r42 20/11	4x s2 φ16	5x w45 ^{CL} 350 mm	5x w45 ^{CR} 350 mm	5x w45 ^{DL} 350 mm	5x w45 ^{DR} 350 mm	1x z1

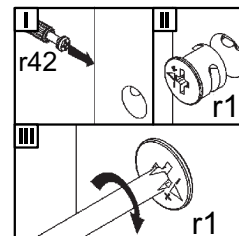
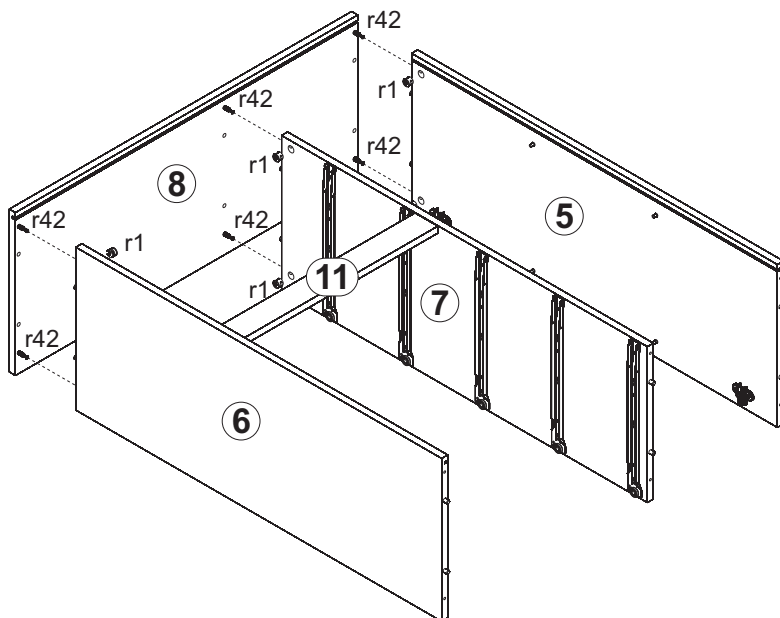
1



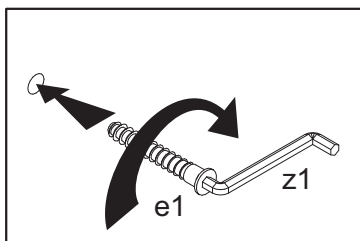
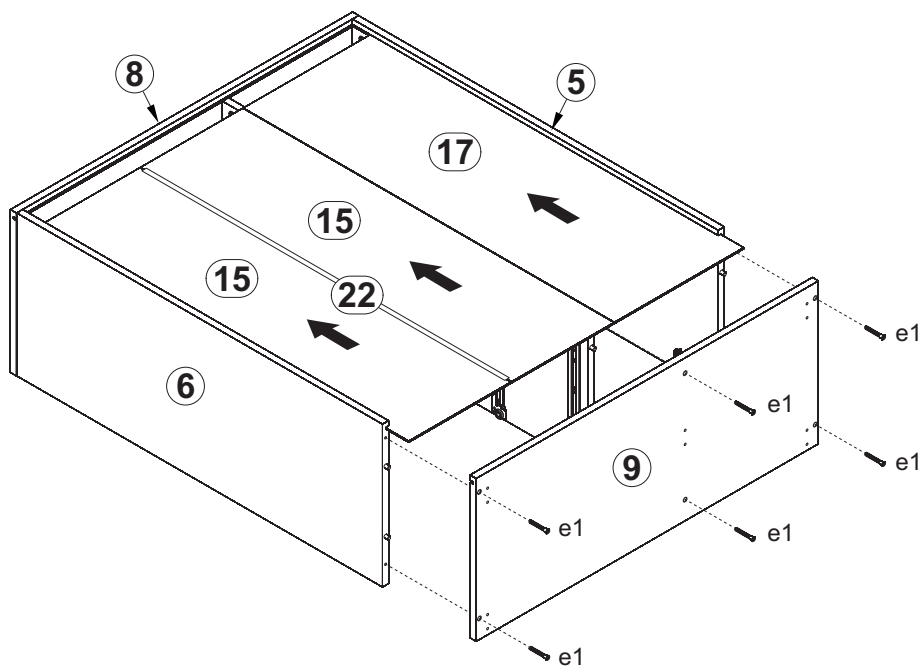
2



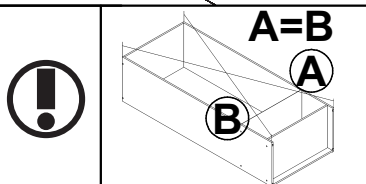
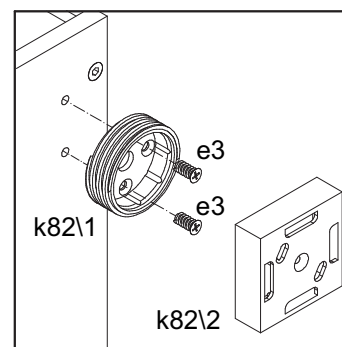
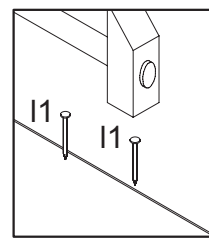
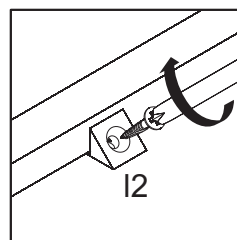
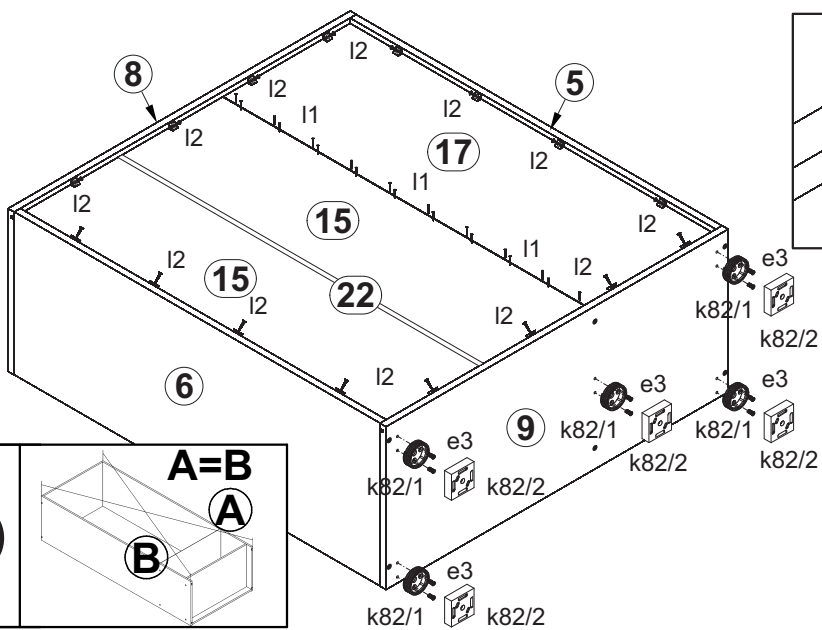
3



4

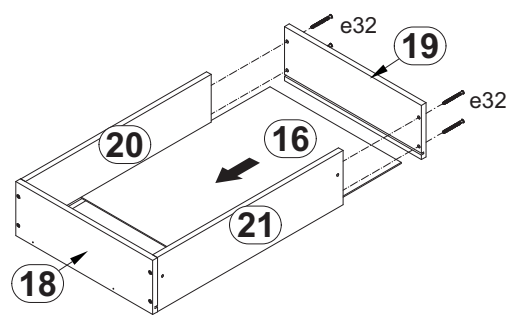
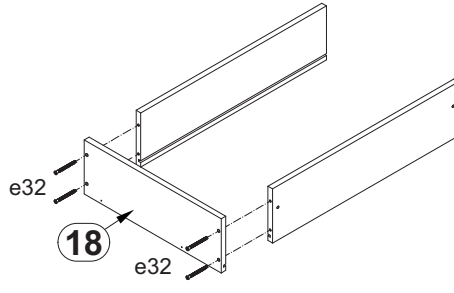
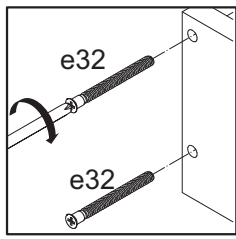


5

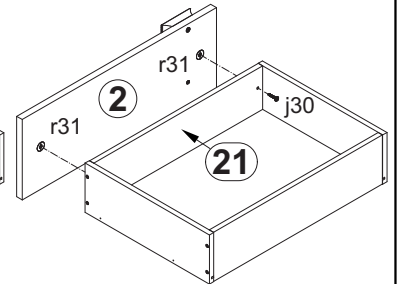
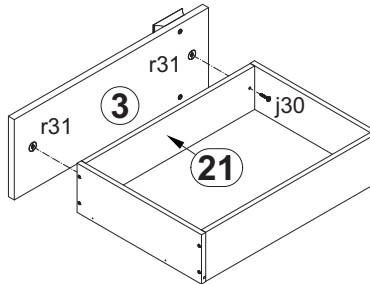
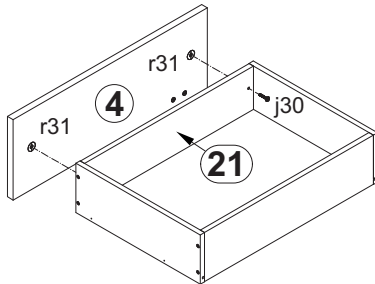
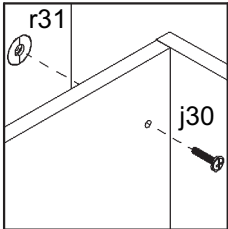


6

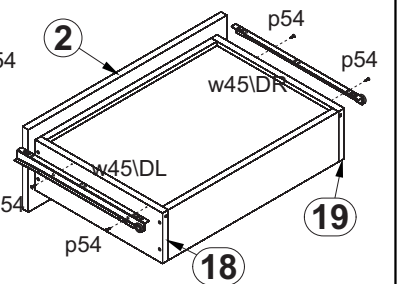
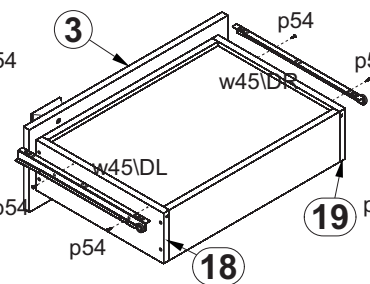
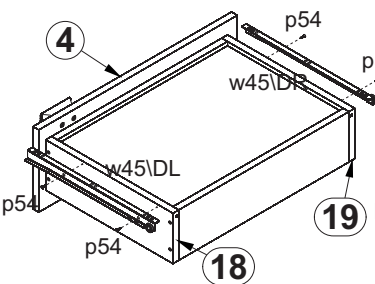
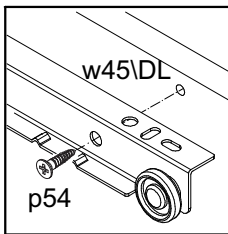
I



II



III



7

