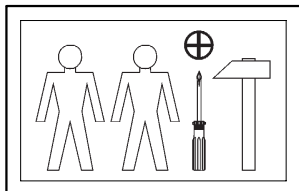
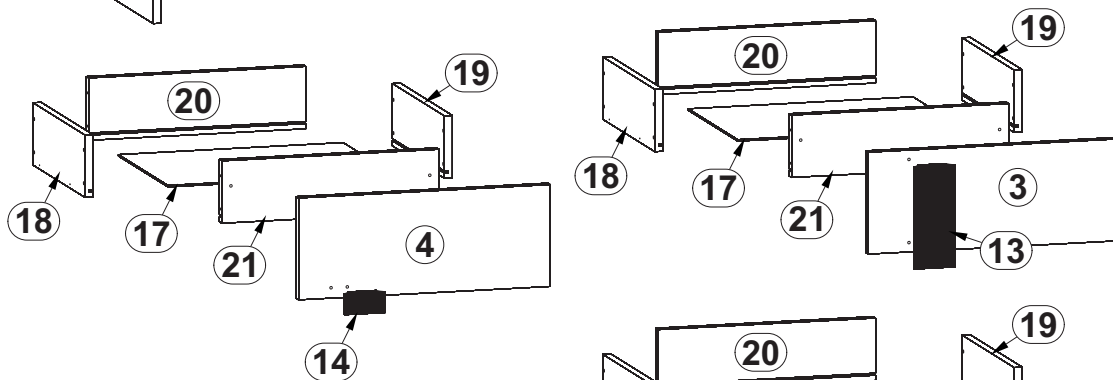
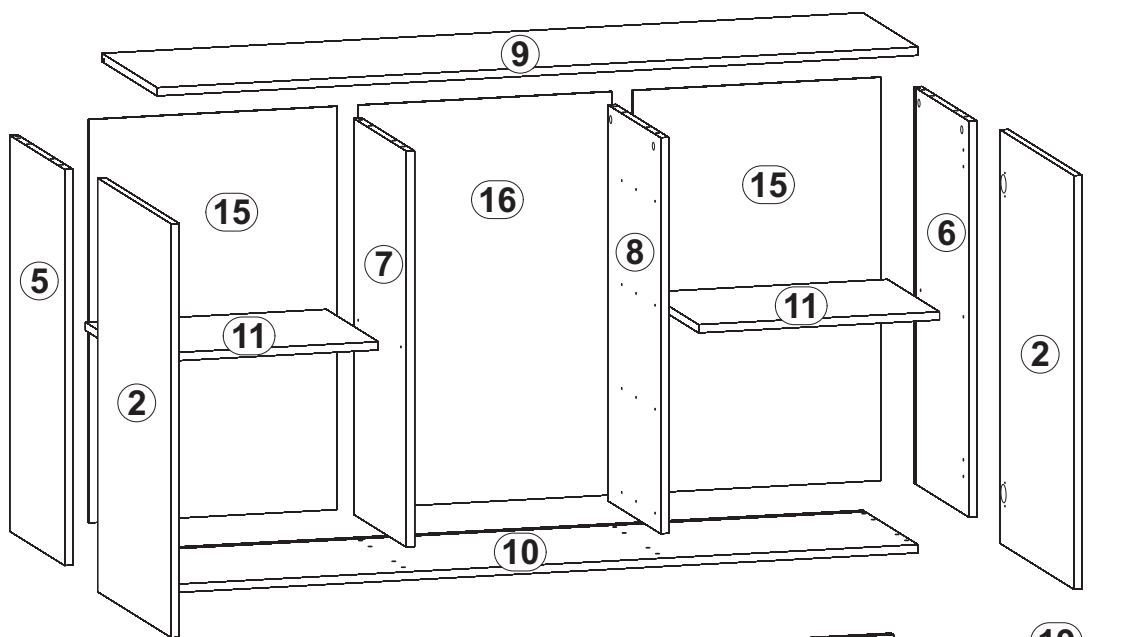
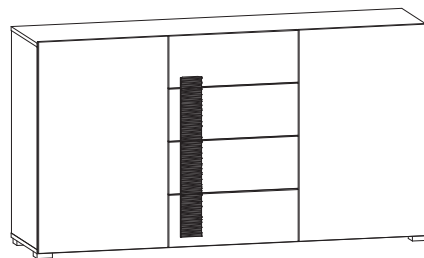


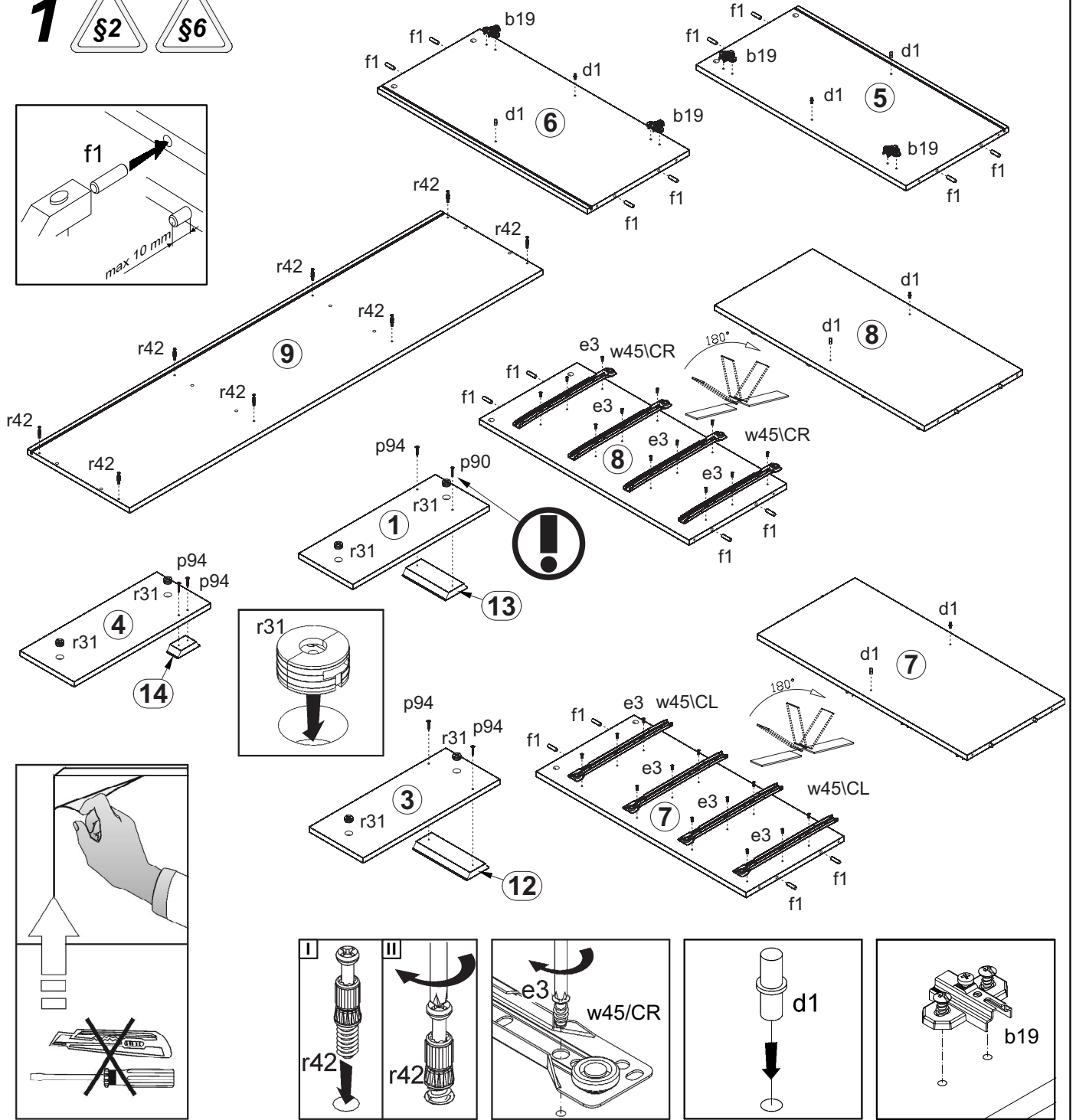
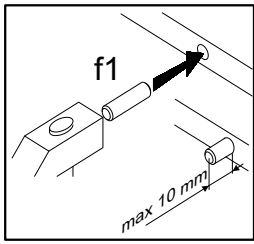
A	B	C	D	
1	S190-001	496	196	3/3
2	S190-002	796	496	3/3
3	S190-010	496	196	3/3
4	S190-011	496	196	3/3
5	S190-101	762	371	1/3
6	S190-102	762	371	1/3
7	S190-103	762	355	1/3
8	S190-104	762	355	1/3
9	S190-201	1500	371	1/3
10	S190-202	1500	371	1/3
11	S190-301	475	350	1/3

A	B	C	D	
12	S190-553	156	80	2/3
13	S190-554	196	80	2/3
14	S190-555	40	80	2/3
15	S190-901	776	489	1/3
16	S190-902	776	500	1/3
17	S190-903	443	333	1/3
18	S190-505	350	120	1/3
19	S190-506	350	120	1/3
20	S190-513	428	120	1/3
21	S190-514	428	120	1/3

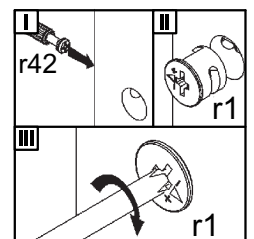
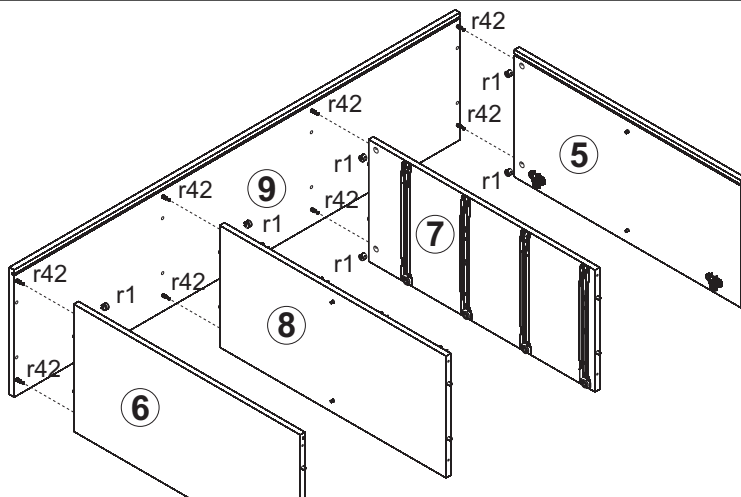


4x a44	4x D5 b19	8x ϕ 5x17 mm d1	8x ϕ 7x50 mm e1	36x ϕ 6x13 mm e3	32x ϕ 5x50 mm e32	16x ϕ 8x30 mm f1	8x M4x22 mm j30	6x k8211
6x k8212	32x l1	16x l2	1x n2611	1x ϕ 3,5x16 mm p38	8x ϕ 3,5x15 mm p51	16x ϕ 3x12 mm p54	1x ϕ 4x28 mm p90	7x ϕ 4x28 mm p94
8x ϕ 15x12mm #16 r1	8x ϕ 21x10mm r31	8x 20/11 r42	6x ϕ 16 s2	4x 350 mm w45 ^{CL}	4x 350 mm w45 ^{CR}	4x 350 mm w45 ^{DL}	4x 350 mm w45 ^{DR}	1x z1

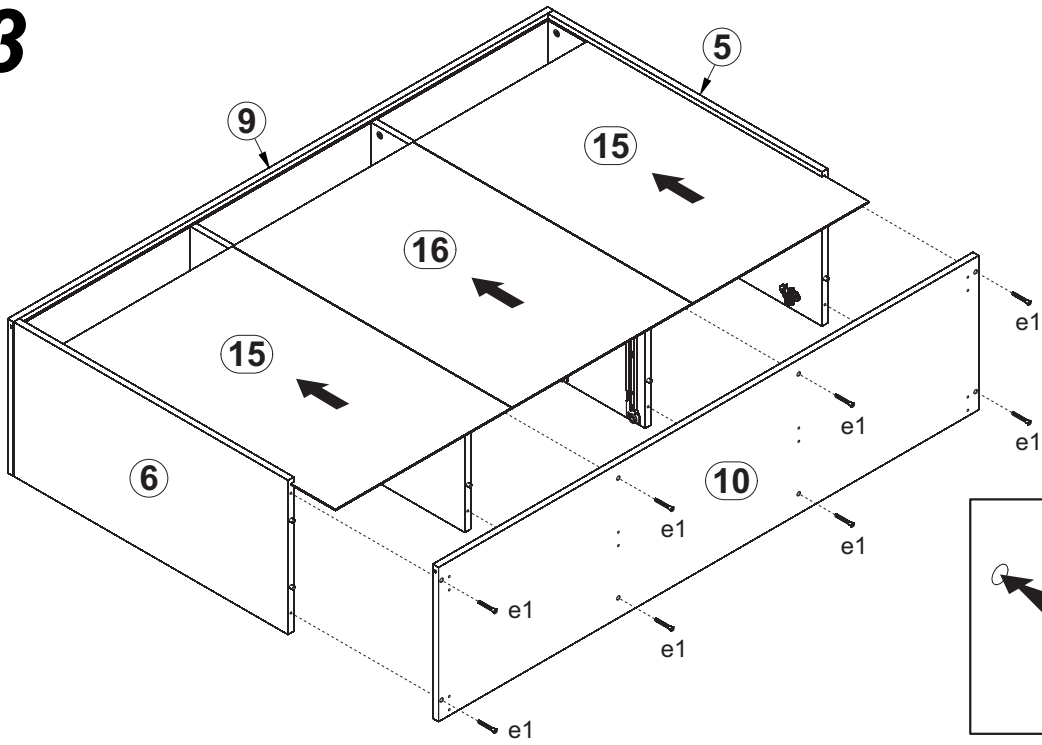
1



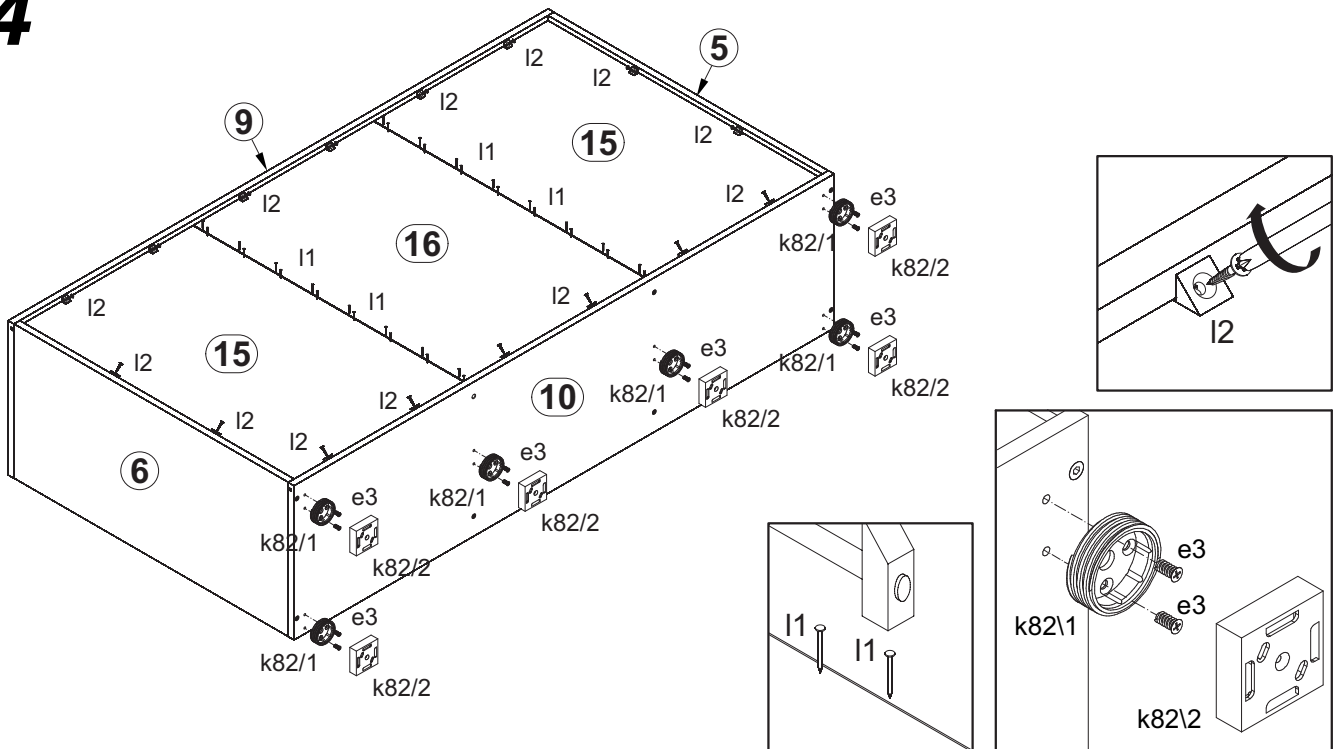
2



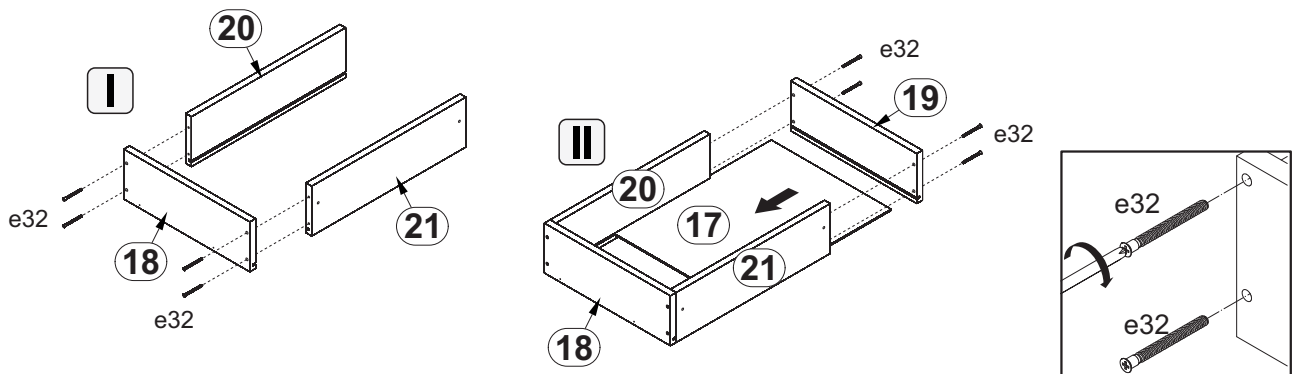
3



4

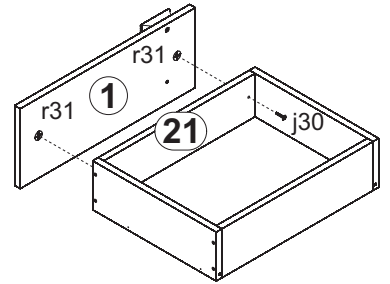
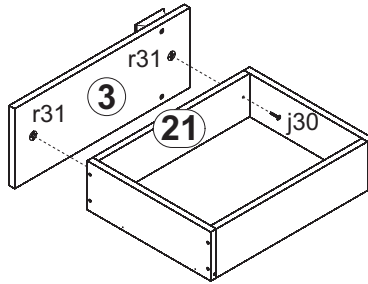
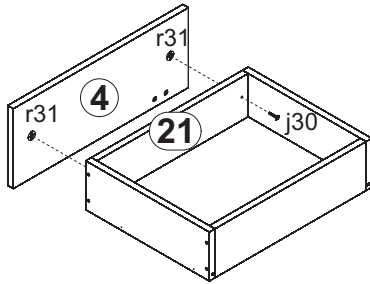


5

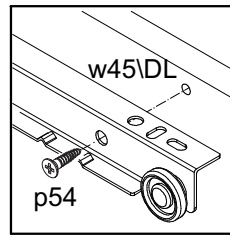
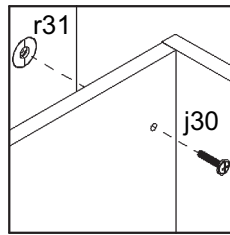
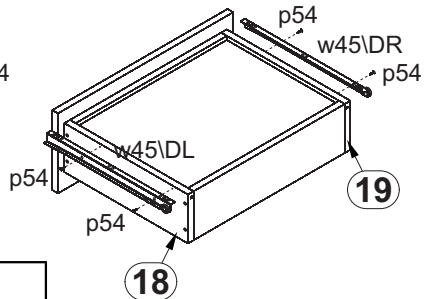
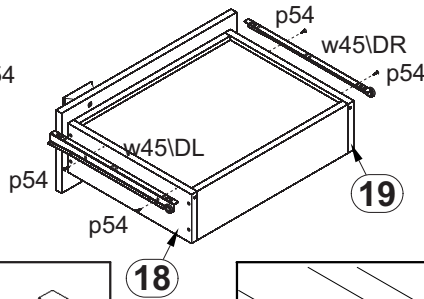
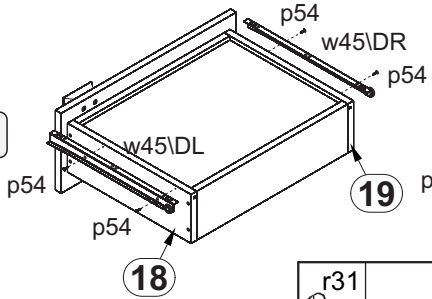


6

I



II



7

