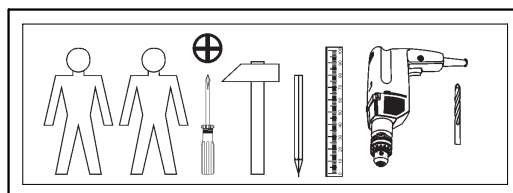
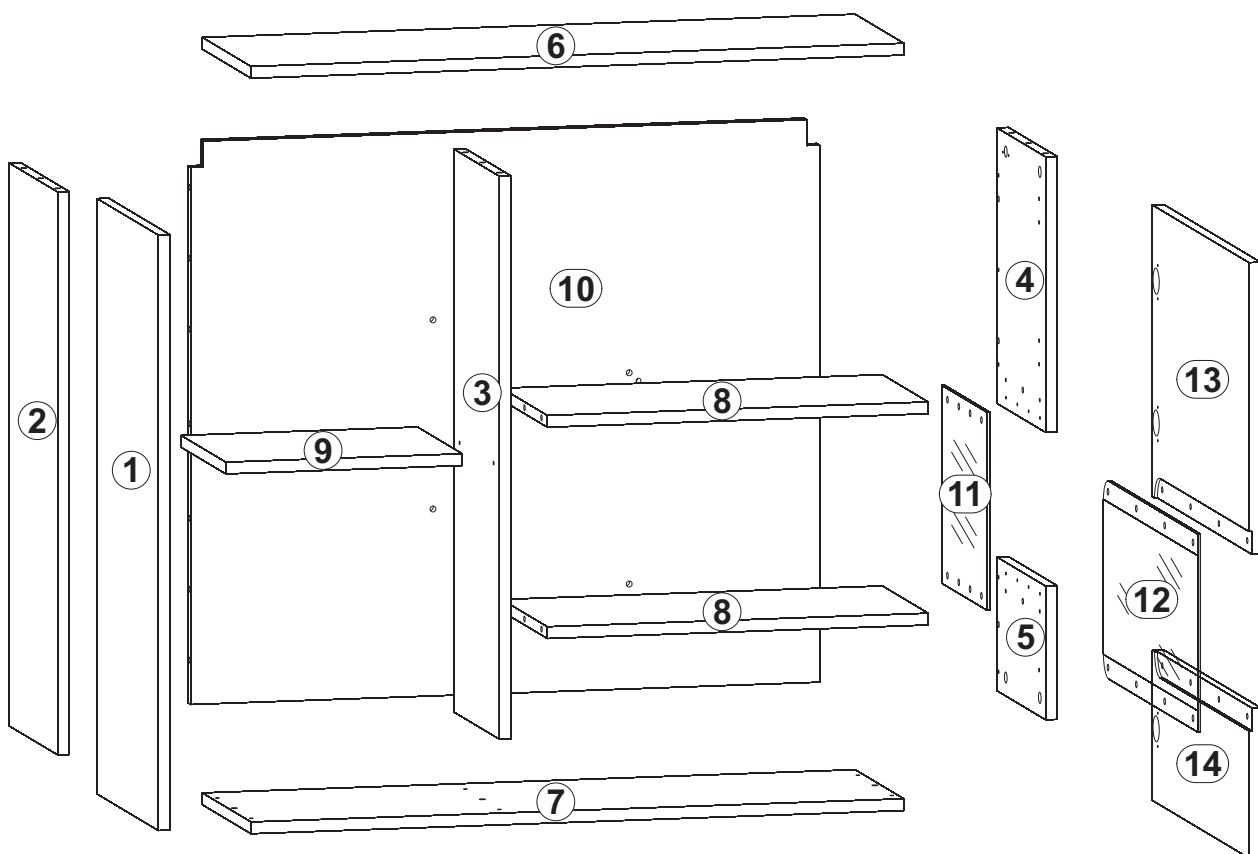
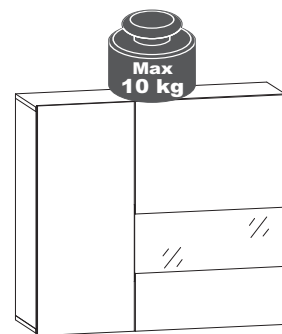


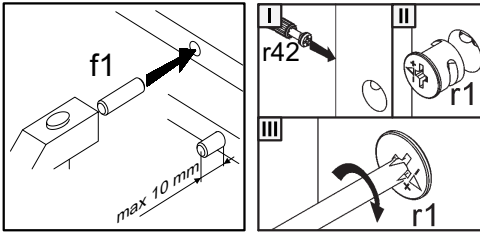
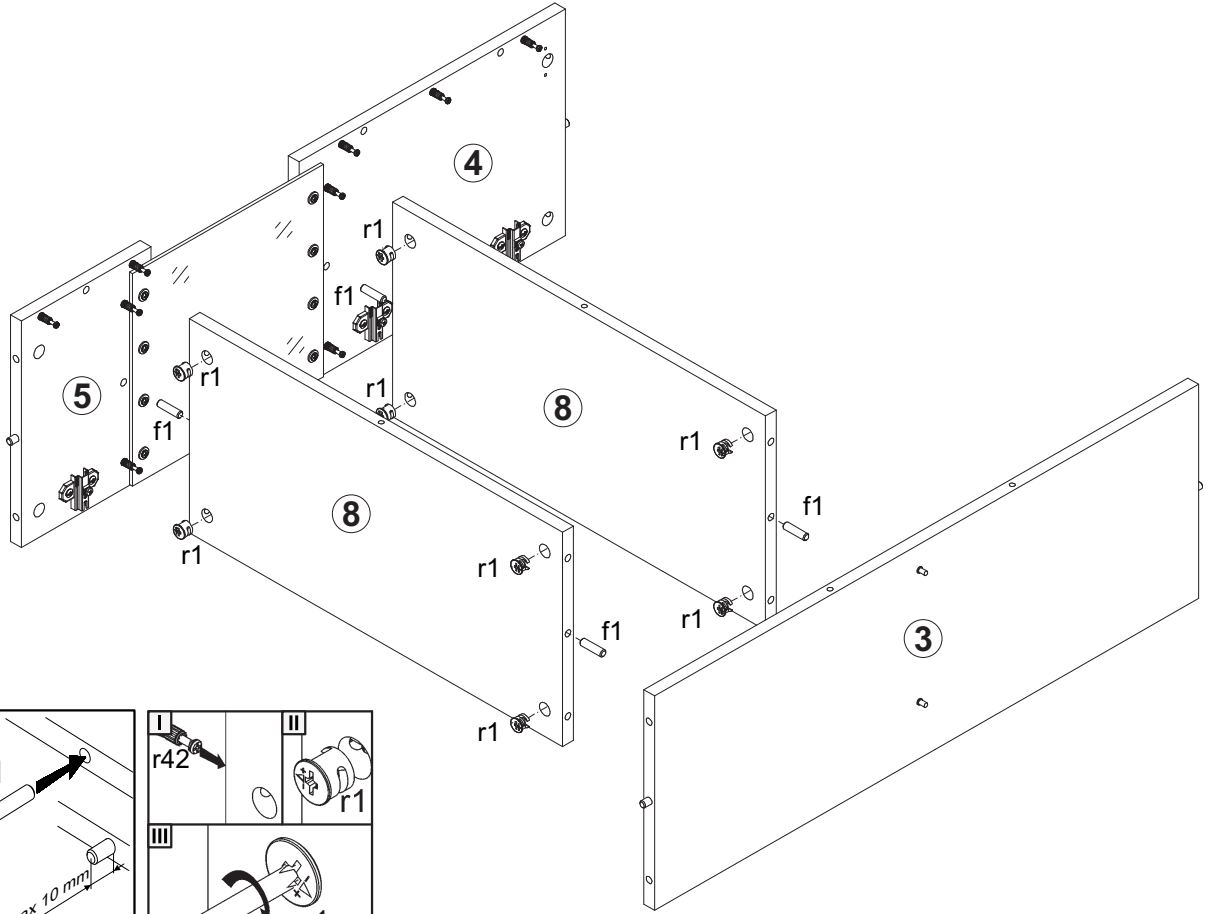
A	B	C	D
1	S190-026	806	346 5/5
2	S190-127	762	275 2/5
3	S190-128	762	258 2/5
4	S190-129	373	275 2/5
5	S190-134	181	275 2/5
6	S190-222	900	275 2/5
7	S190-223	900	275 2/5

A	B	C	D
8	S190-315	525	258 2/5
9	S190-316	326	253 2/5
10	S190-406	762	867 1/5
11	S190-565	268	256 4/5
12	S190-566	532	268 3/5
13	S190-715	546	395 5/5
14	S190-716	546	203 5/5

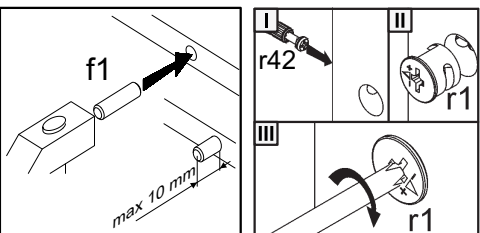
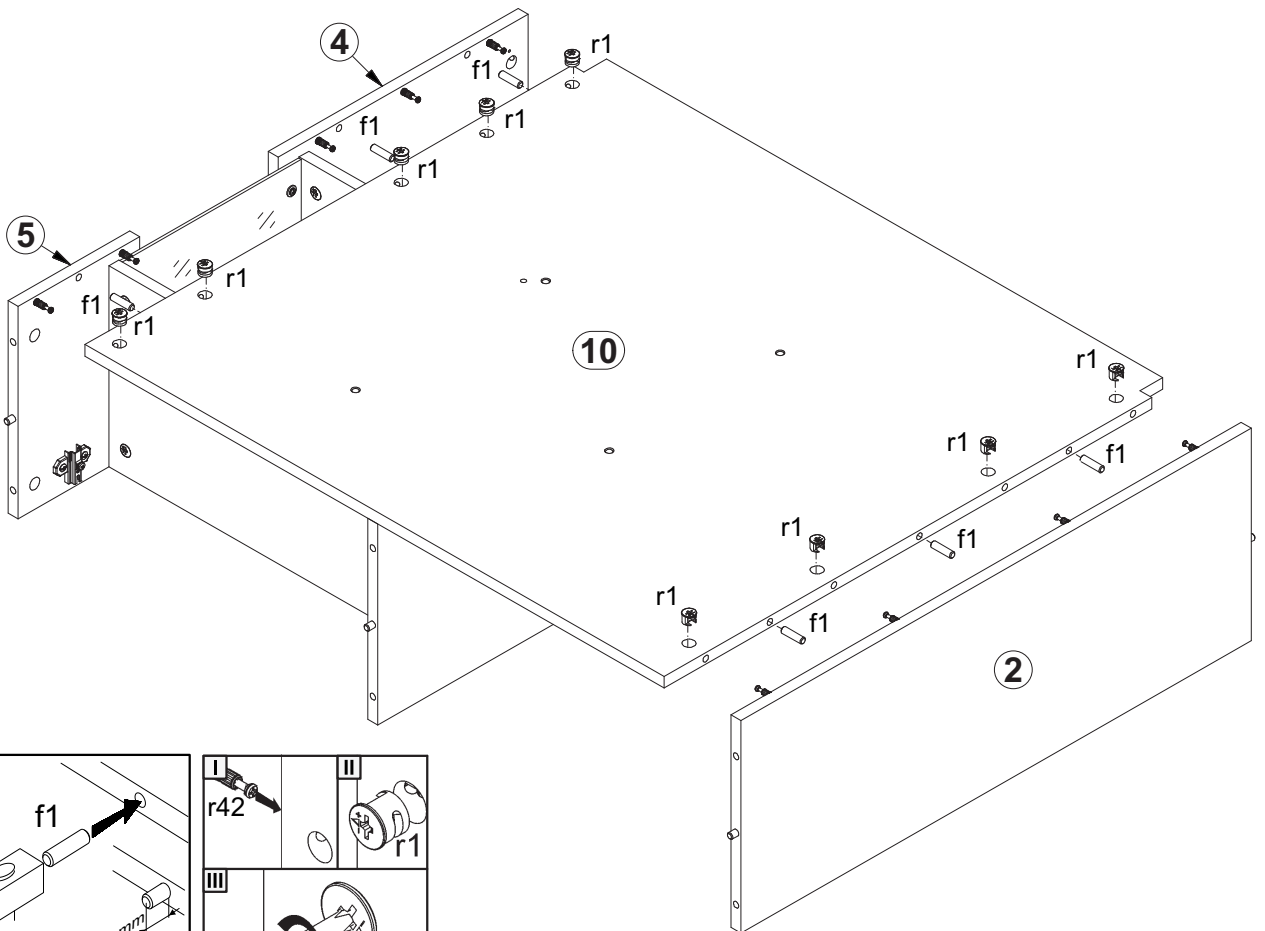


5x a44	5x b19	4x φ5x17 mm d1	4x φ7x50 mm e1	8x φ5x13 mm e41	8x M4x12 mm j3	16x φ8x30 mm f1	2x n1221
16x φ5,3/φ8,3x4,8mm o54	1x o100/1	1x o100/2	4x φ4x30 mm p21	10x φ3,5x15 mm p51	29x φ15x12mm #16 r1	29x 20/11 r42	
20x φ16 s2	1x z1						

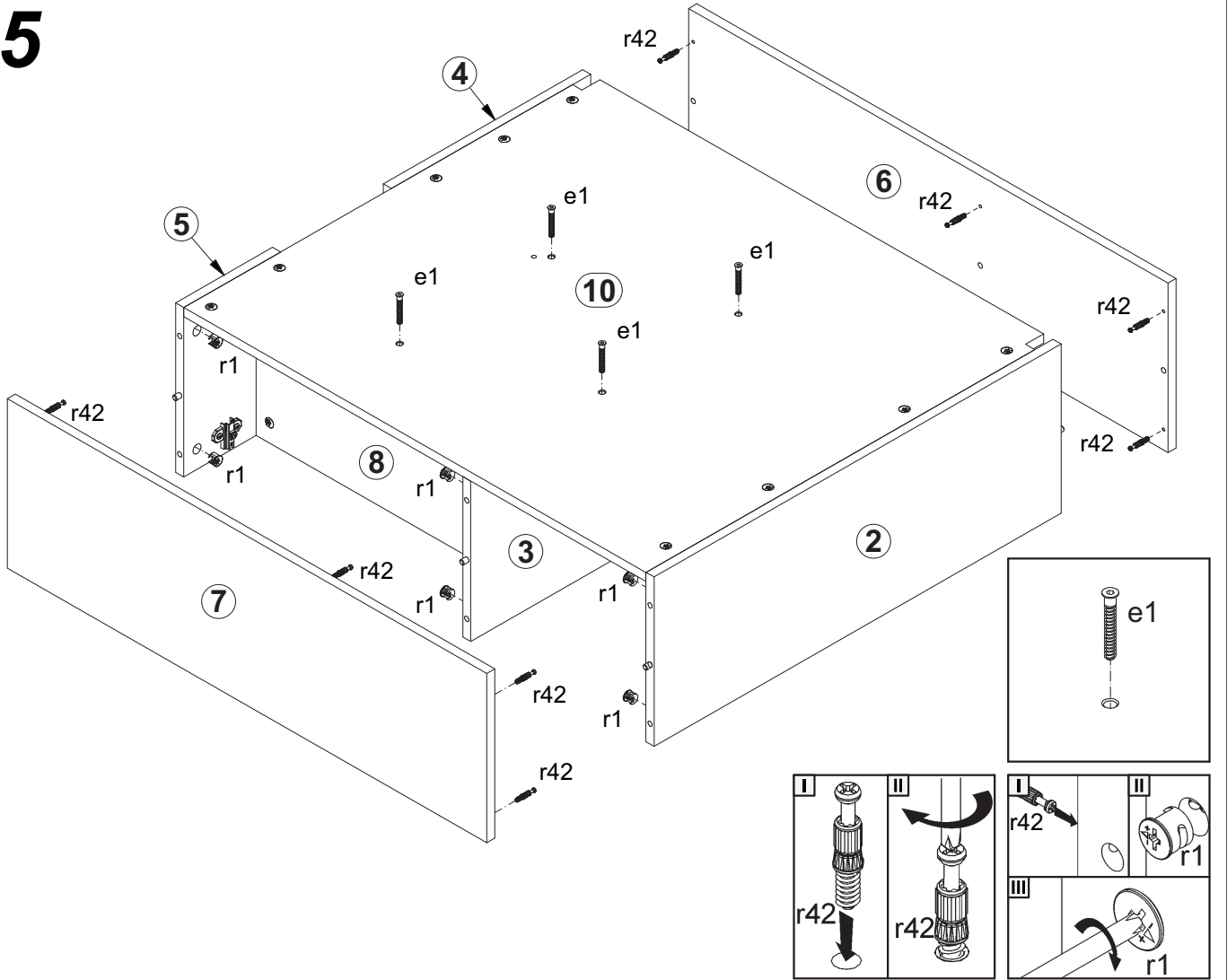
3



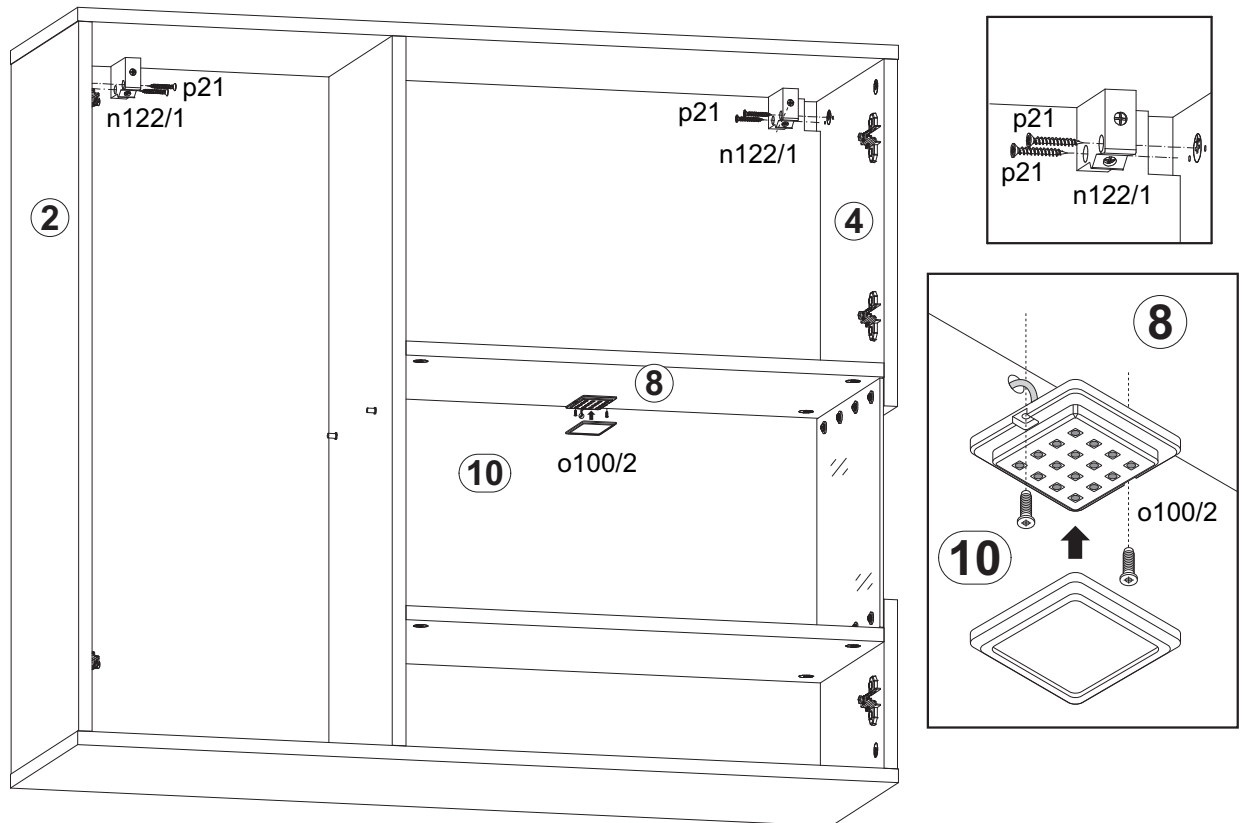
4



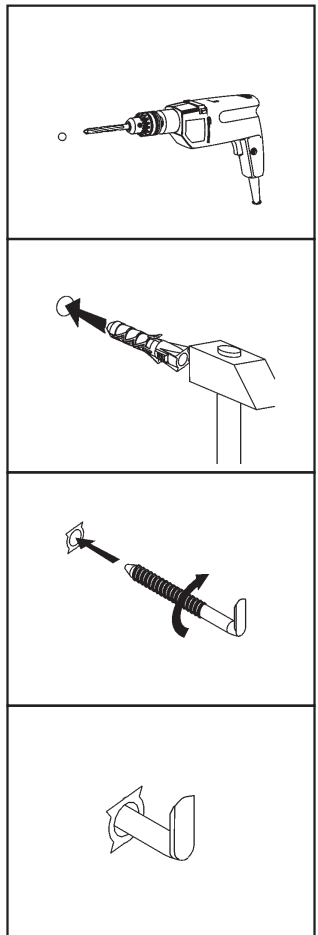
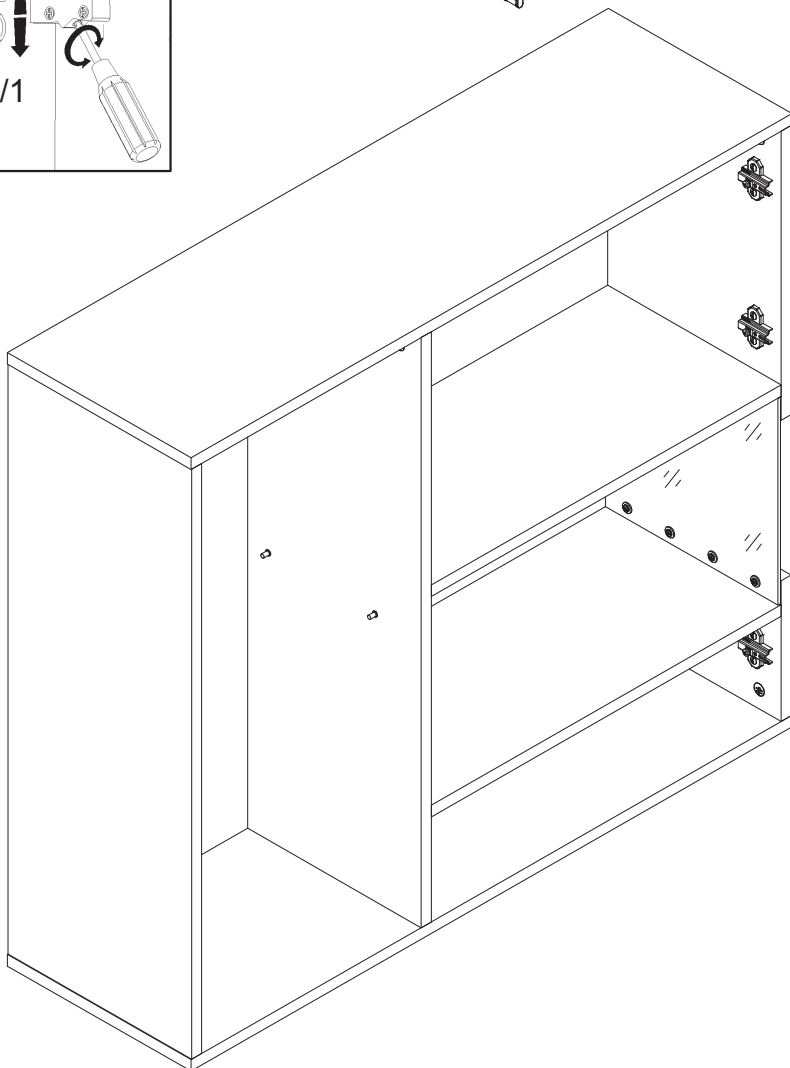
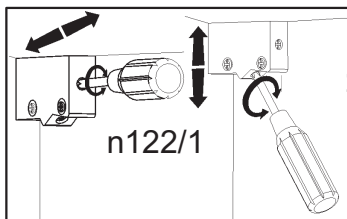
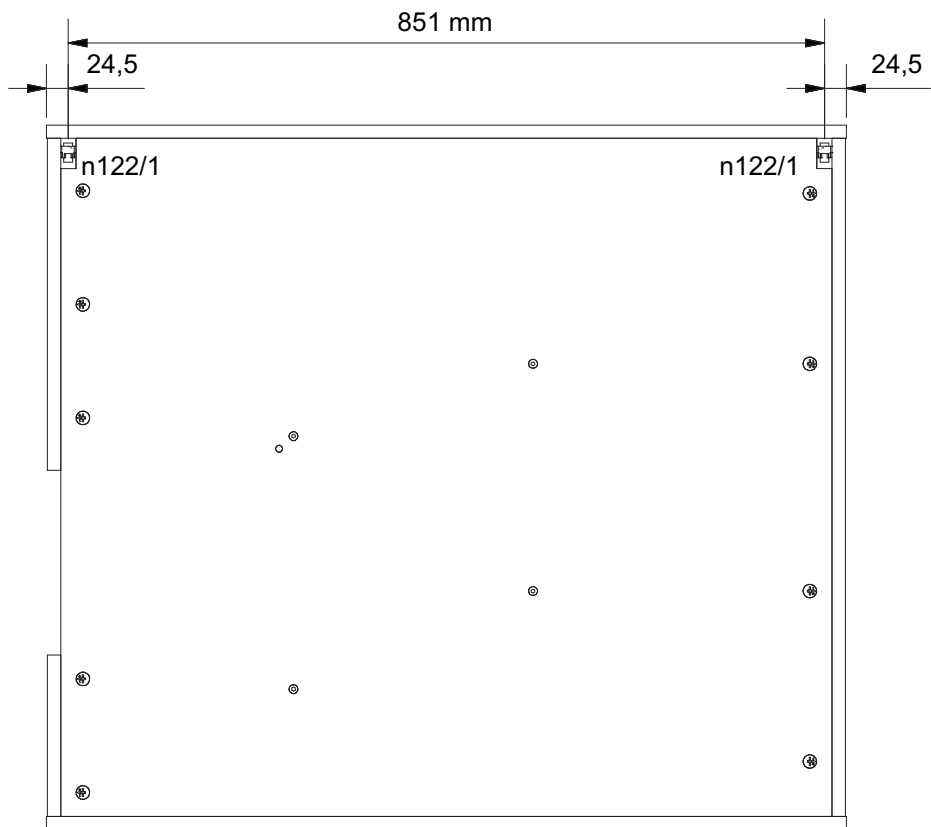
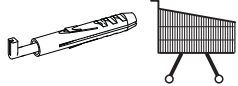
5



6



7



8

