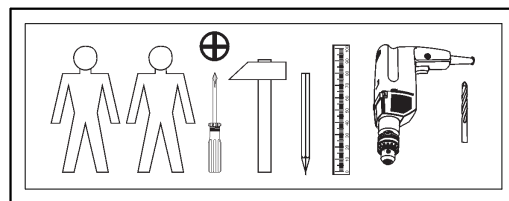
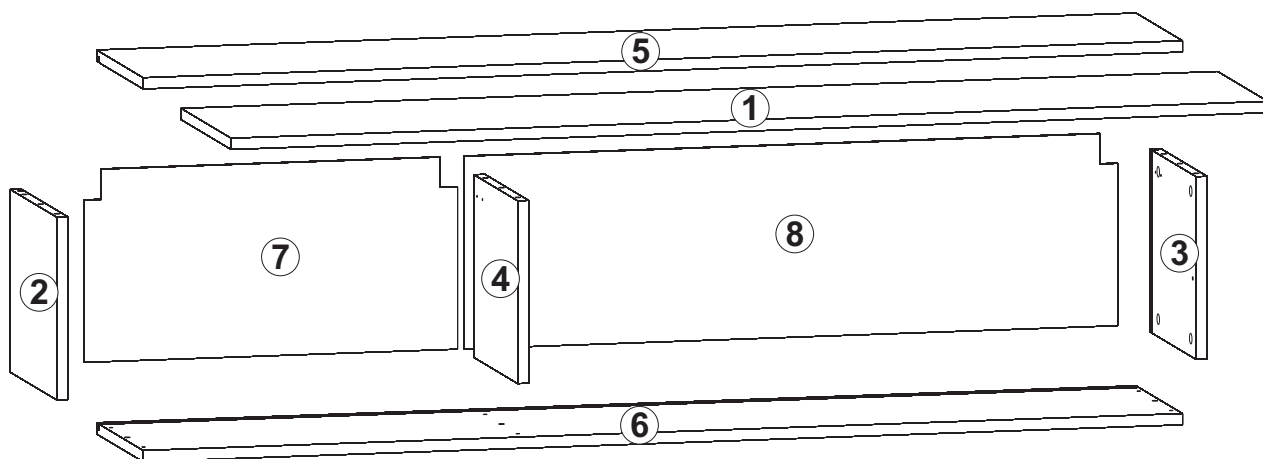
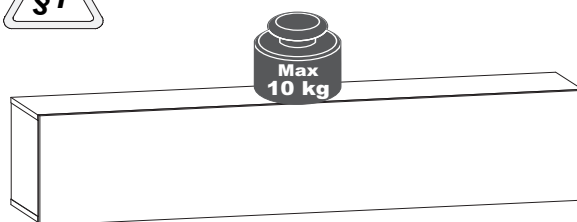
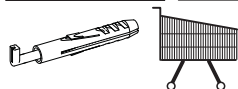


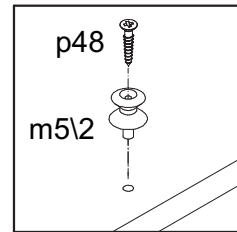
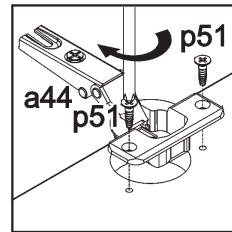
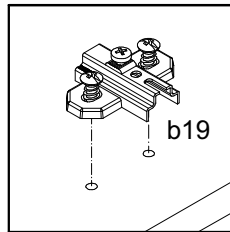
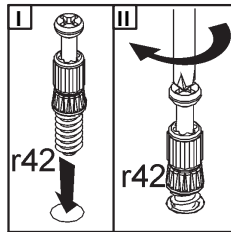
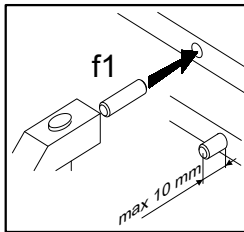
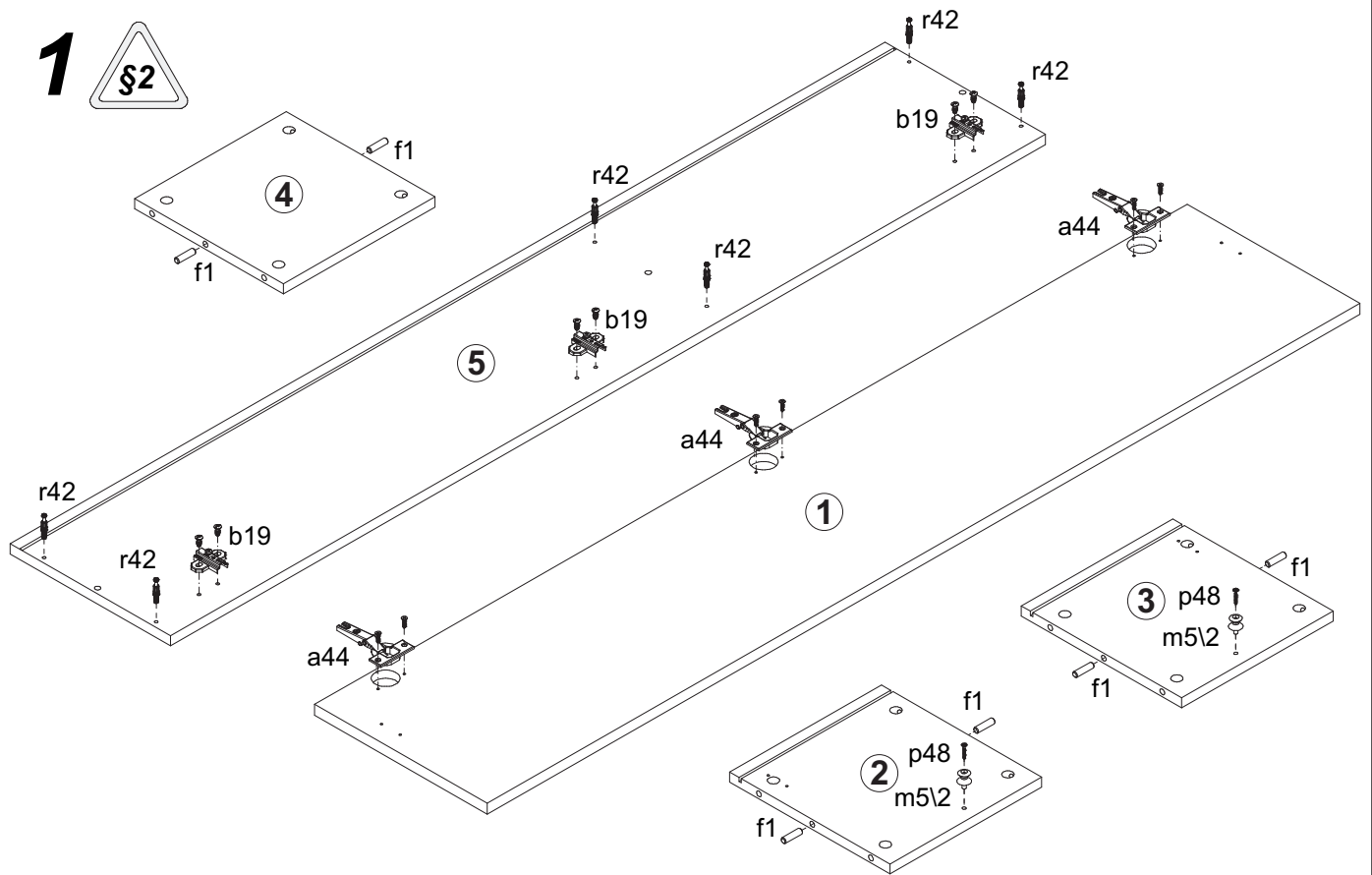
A	B	C		D
1	S190-025	1496	296	2/2
2	S190-124	259	275	1/2
3	S190-125	259	275	1/2
4	S190-126	259	259	1/2
5	S190-218	1500	275	1/2
6	S190-219	1500	275	1/2
7	S190-922	273	539	1/2
8	S190-923	273	943	1/2



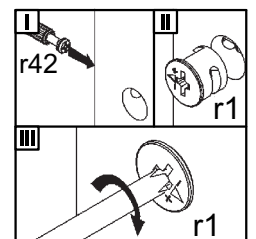
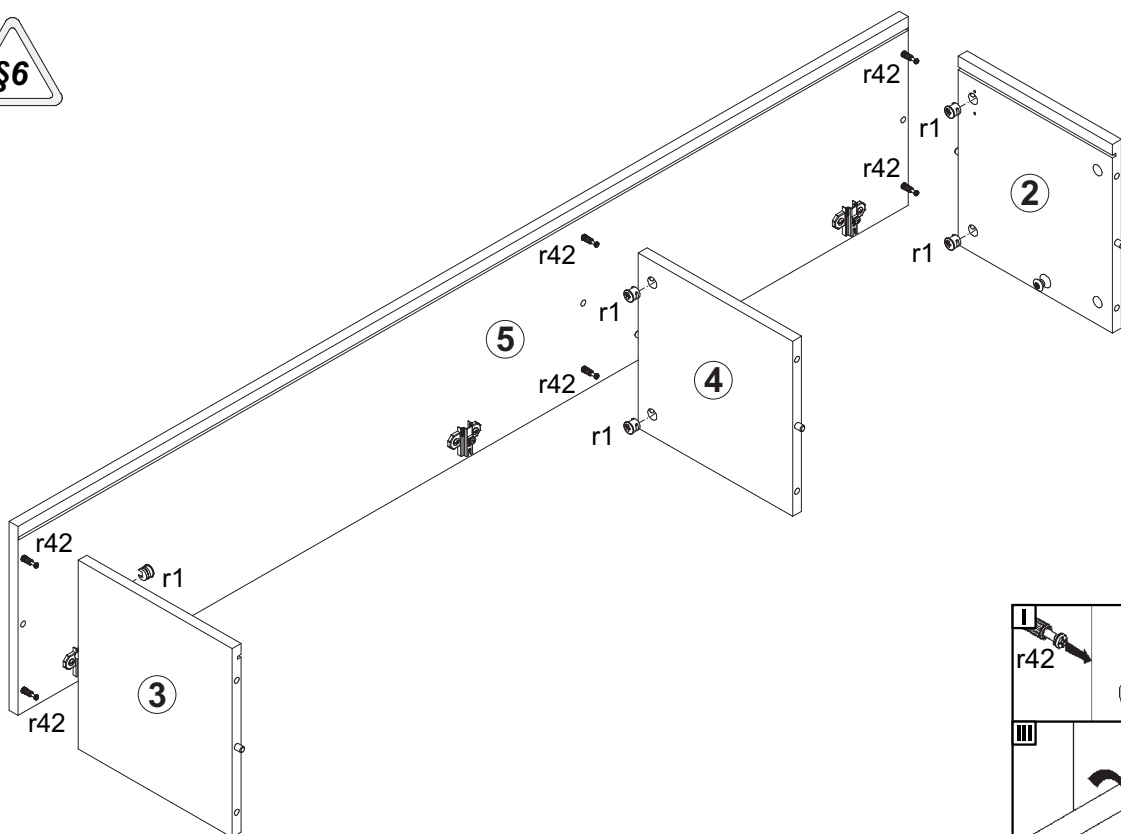
3x a44	3x b19	6x φ8x30 mm f1	10x l1	12x l2	1x m5 ^{1L}	1x m5 ^{1P}	2x m5 ²
3x n122\1	4x φ3,5x13 mm p1	6x φ4x30 mm p21	2x φ3x25 mm p48	6x φ3,5x15 mm p51	12x φ15x12mm #16 r1	12x 20/11 r42	10x φ16 s2



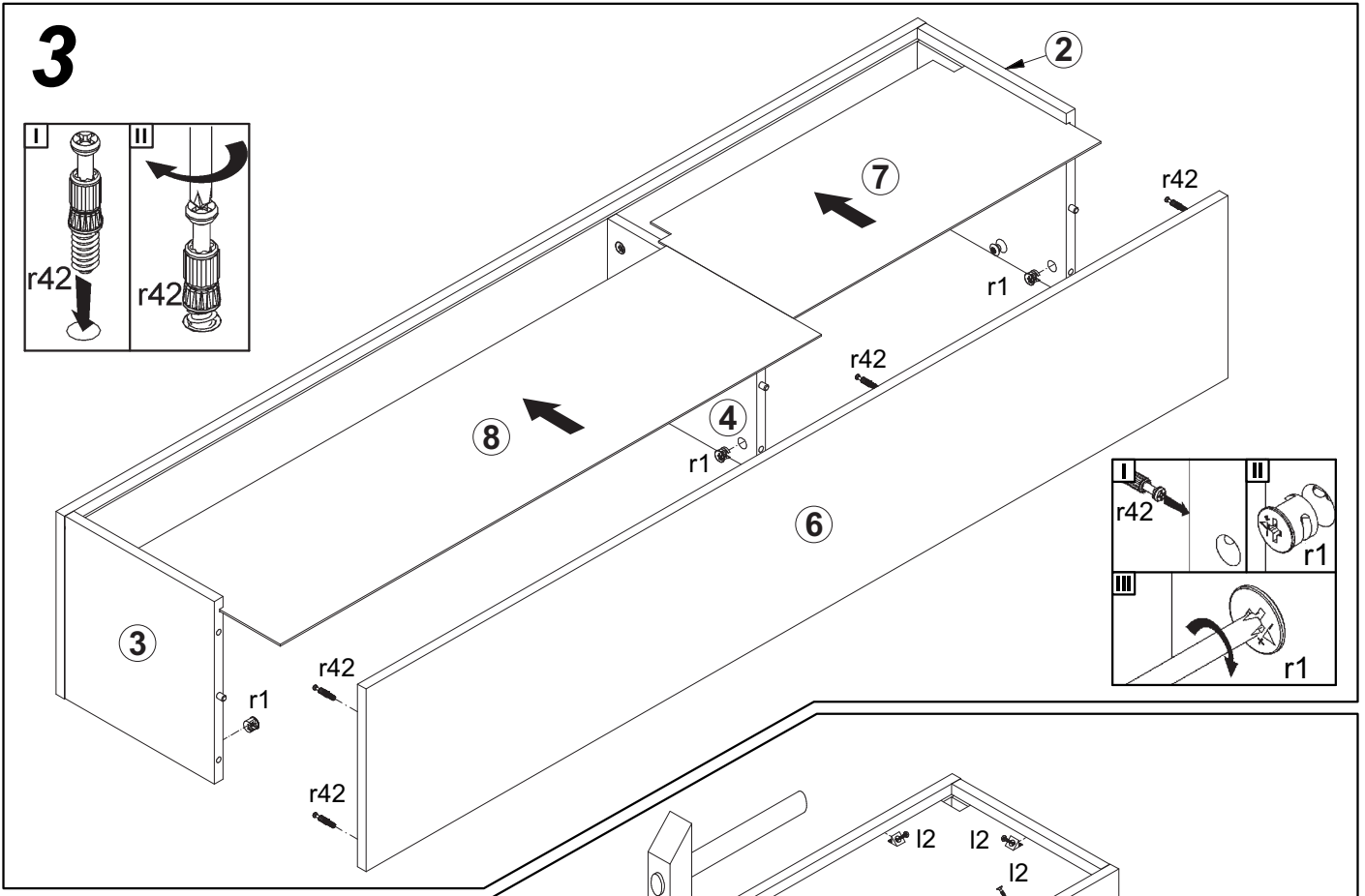
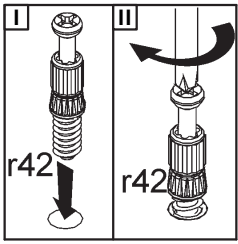
1



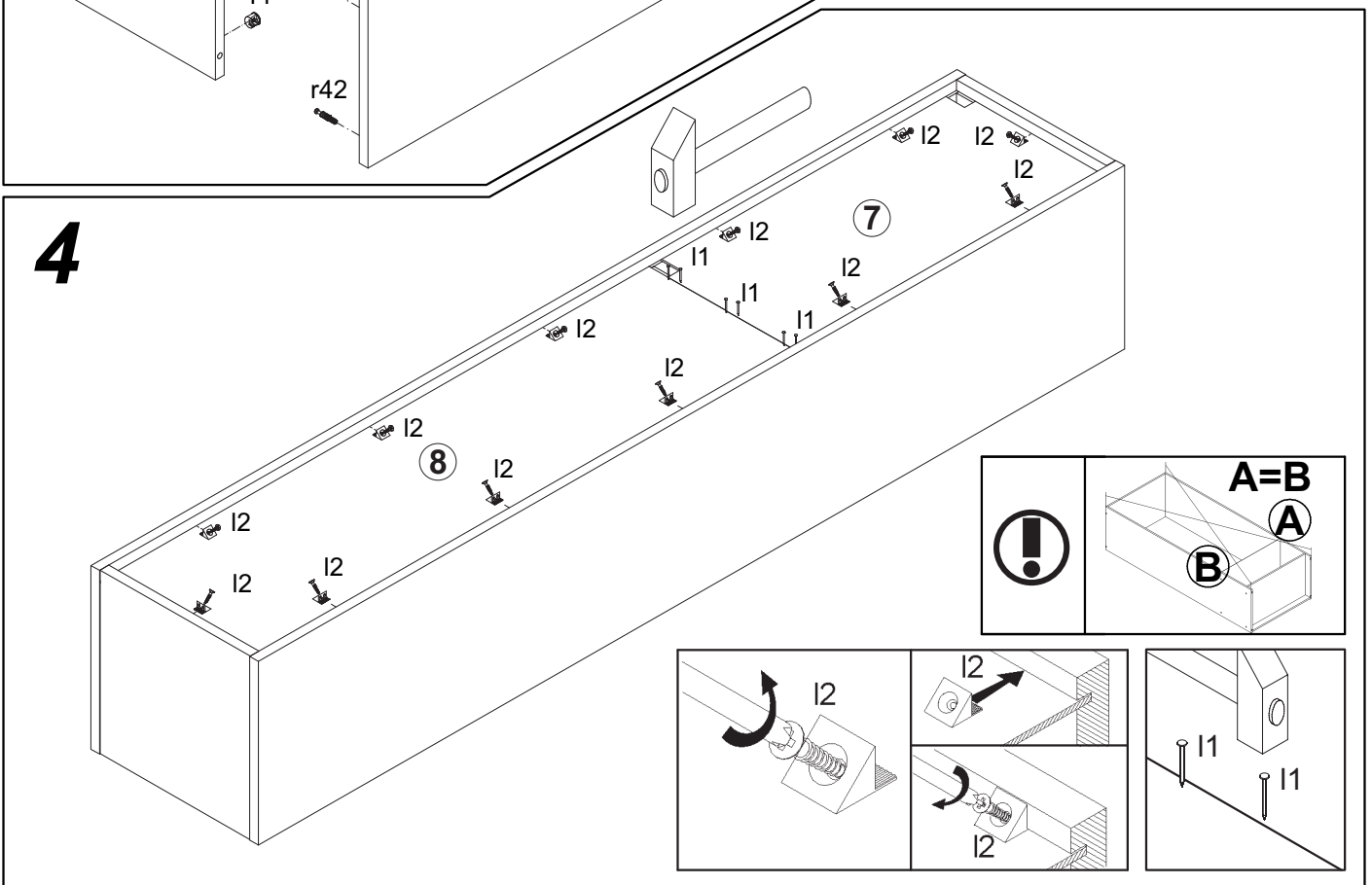
2



3



4



5

