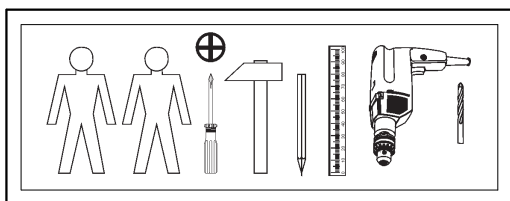
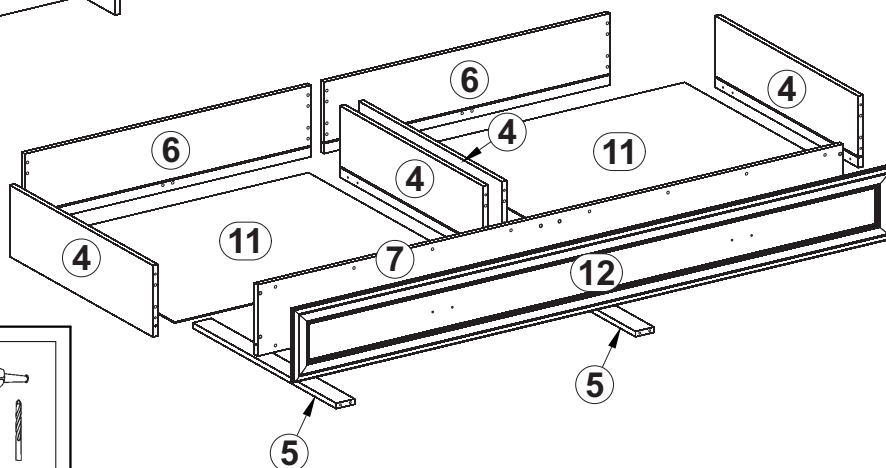
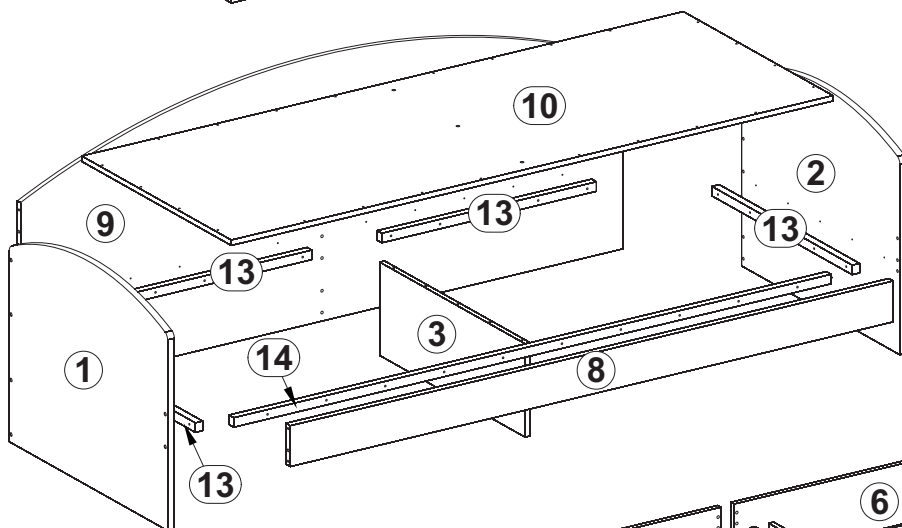
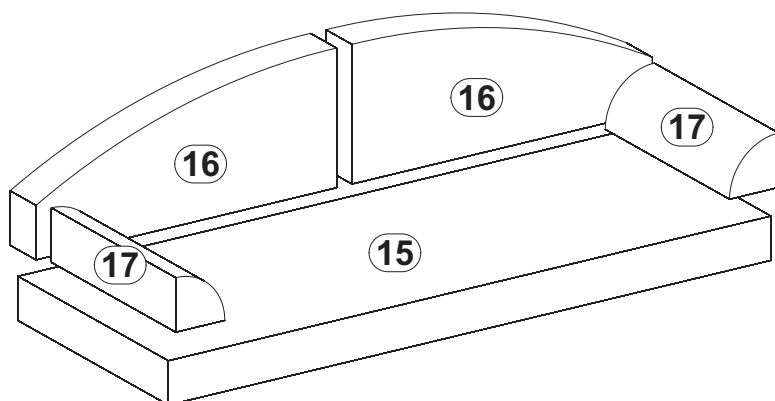
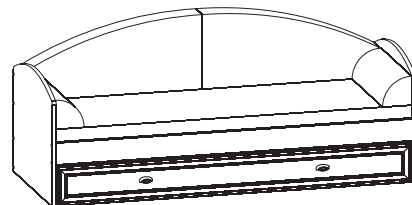


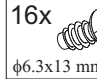
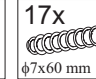
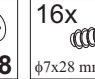
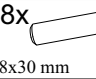

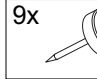
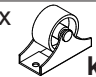
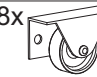
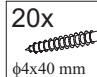
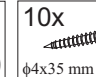
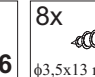


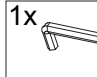


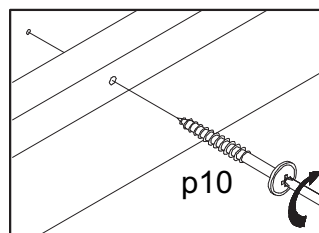
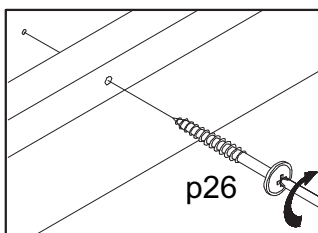
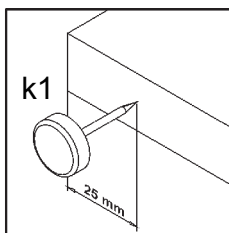
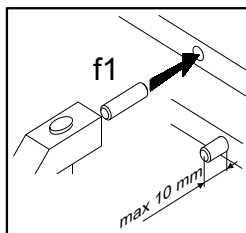
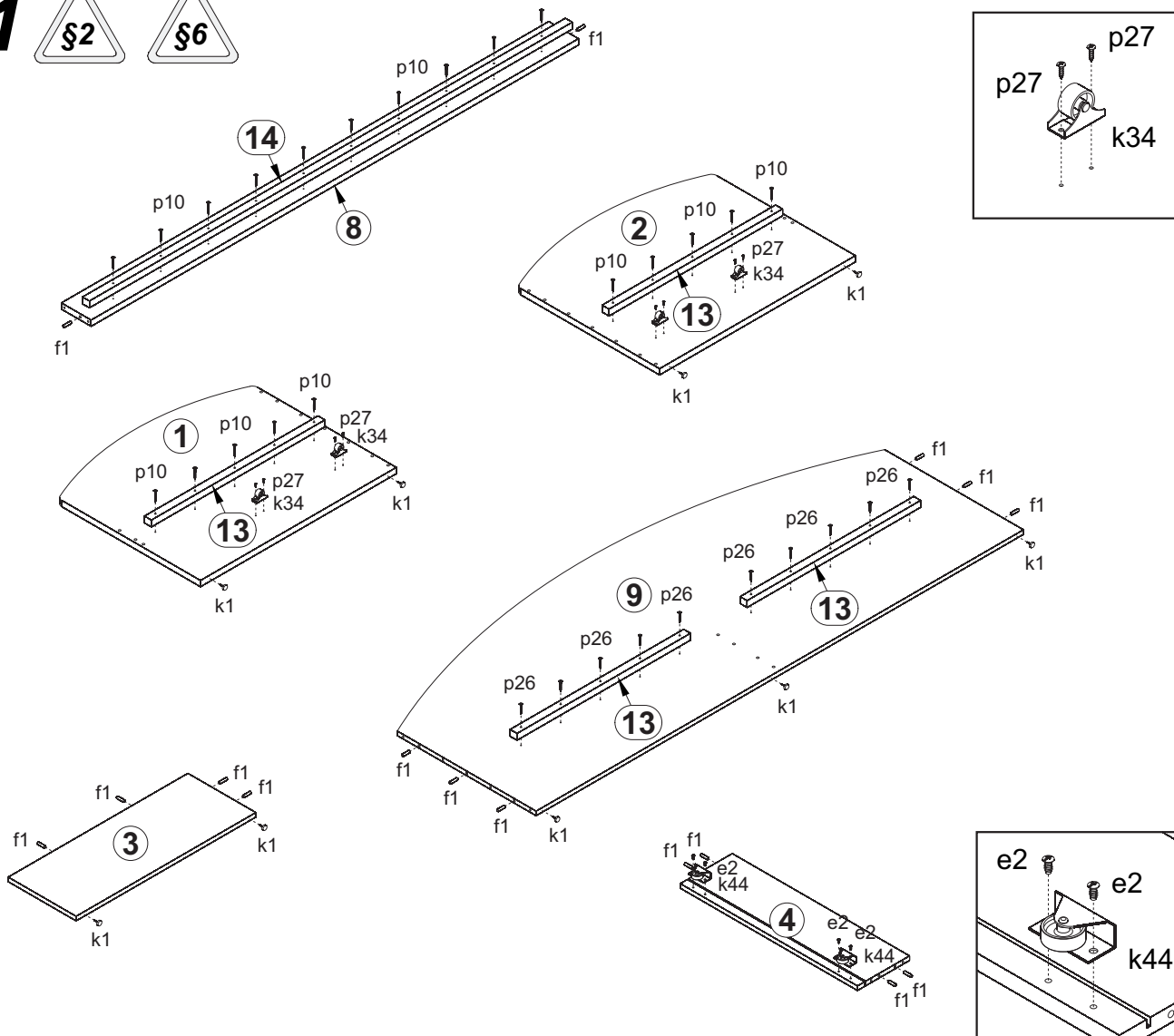
A	B	C	D	
1	B18-129	790	660	1/5
2	B18-130	790	660	1/5
3	B18-131	725	274	1/5
4	B18-515	715	210	1/5
5	B18-519	715	60	1/5
6	B18-517	933	210	2/5
7	B18-518	1909	210	2/5
8	B18-424	1966	120	2/5
9	B18-210	1966	780	2/5

A	B	C	D	
10	B18-206	1962	746	2/5
11	B18-914	914	730	2/5
12	B18-018	1956	215	3/5
13	B18-513	700	28	4/5
14	B18-514	1948	28	4/5
15	B18-750	1965	750	5/5
16	B18-751	980	410	5/5
17	B18-752	620	160	5/5

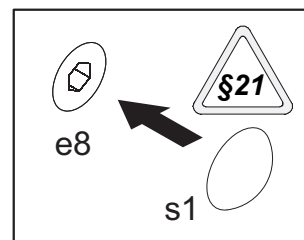
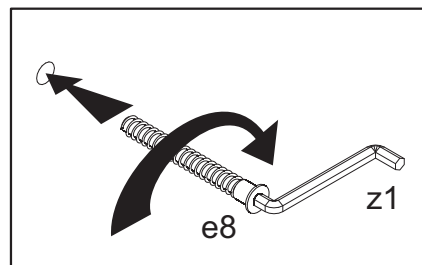
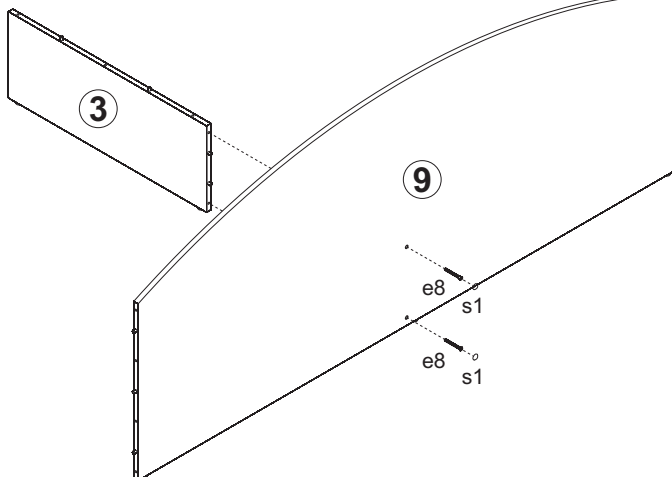


2x  φ84	24x  φ7x50 mm e1	16x  φ6.3x13 mm e2	17x  φ7x60 mm e8	16x  φ7x28 mm e22	28x  φ8x30 mm f1	4x  M4x10 mm j106	9x  k1
4x  k34	8x  k44	20x  φ4x40 mm p10	10x  φ4x35 mm p26	8x  φ3.5x13 mm p27	24x  φ4x28 mm p94	22x  s1	1x  z1

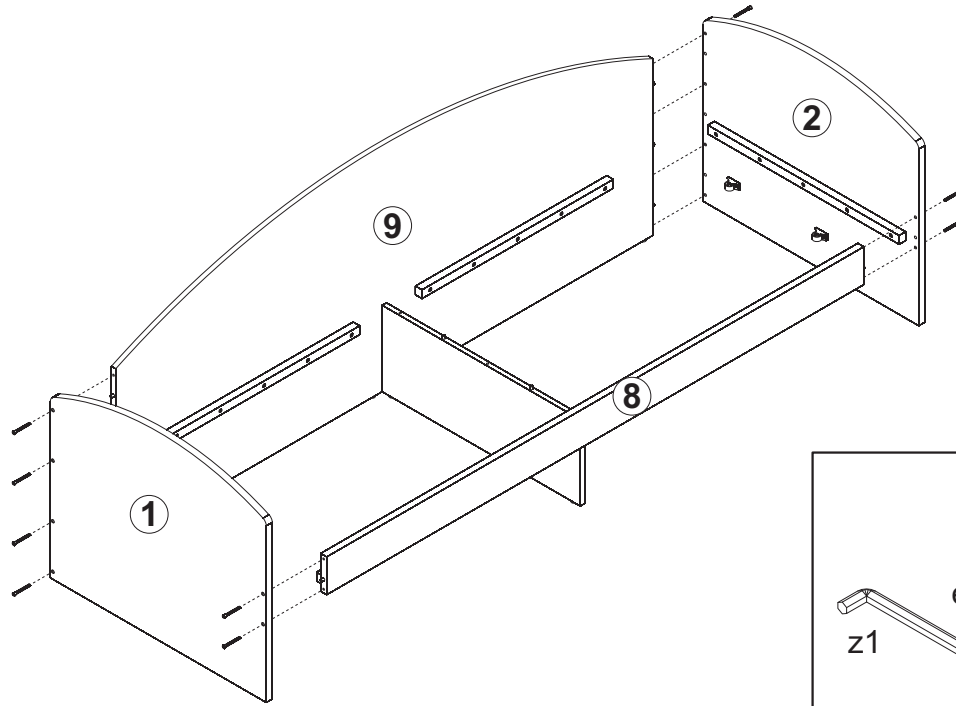
1



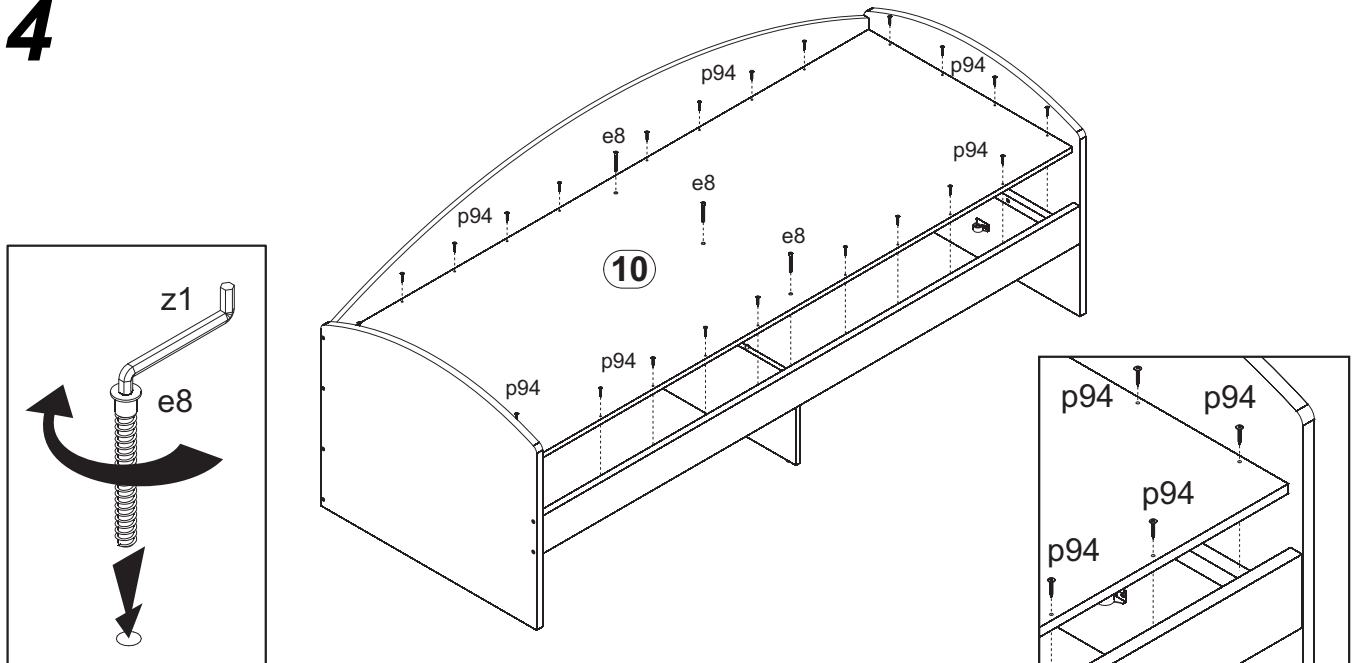
2



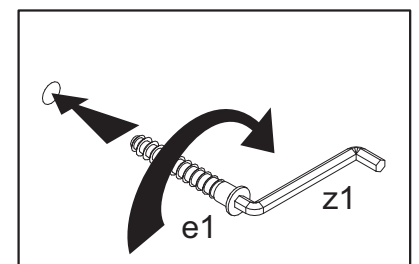
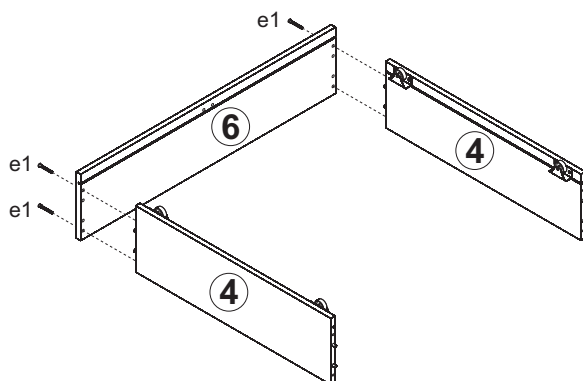
3



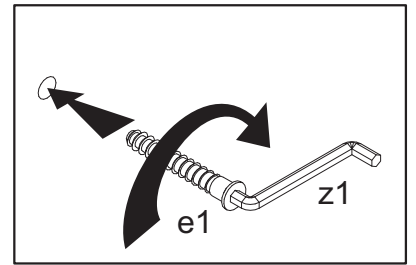
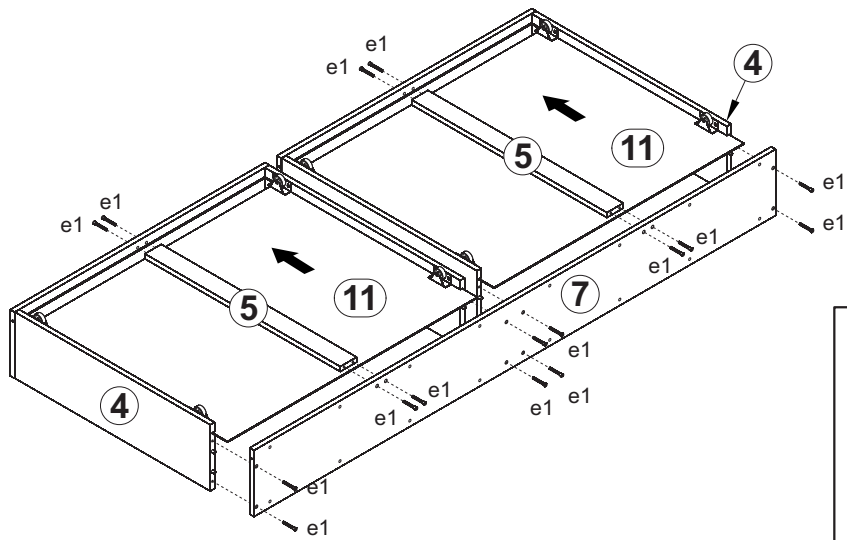
4



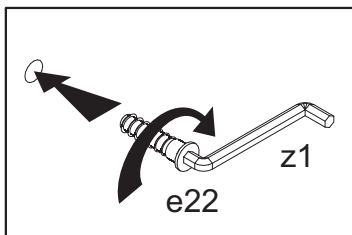
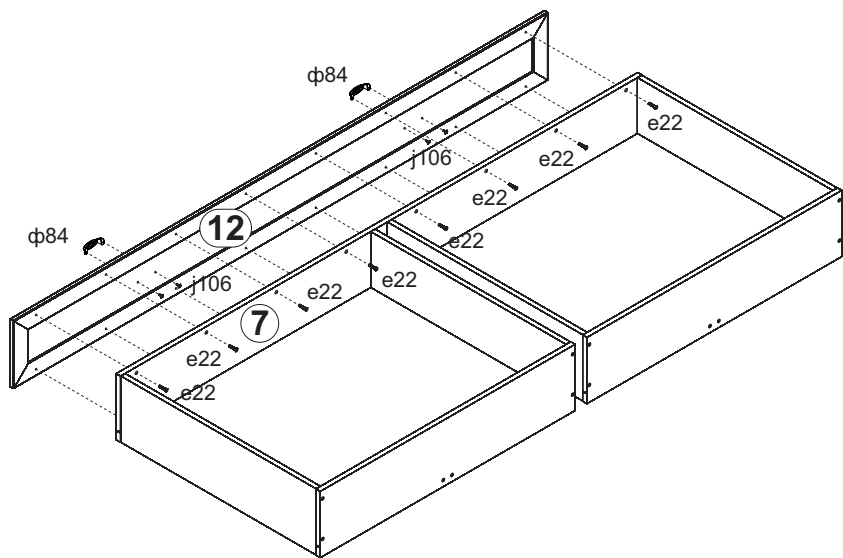
5



6



7



8

