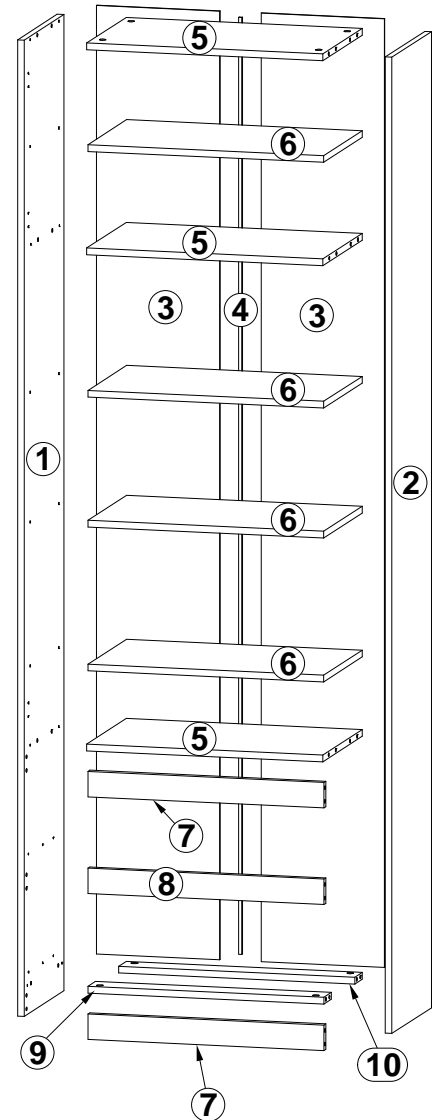
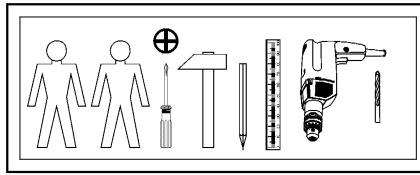


A	B	C	D
1	S321-109-01	2300	355 1/4
2	S321-110-01	2300	355 1/4
3	S321-906	2235	296 1/4
4	LH-2207	2207	1/4
5	S321-309	567	354 2/4
6	S321-310	567	345 2/4
7	S321-407	567	60 2/4
8	S321-431	567	60 2/4
9	S321-413	567	68 2/4
10	S321-430	567	68 2/4
11	S321-505	350	160 2/4
12	S321-506	350	160 2/4
13	S321-507	510	160 2/4
14	S321-920	525	349 2/4
15	S321-511	960	563 3/4
17L	S321-704	596	530 4/4
17P	S321-706	596	530 4/4



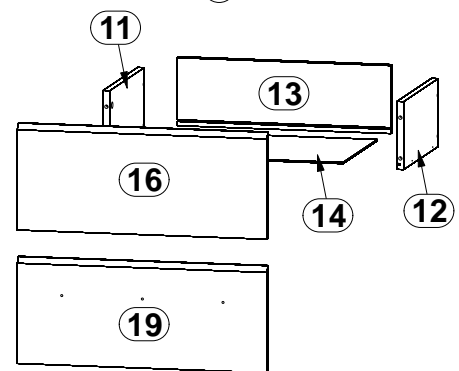
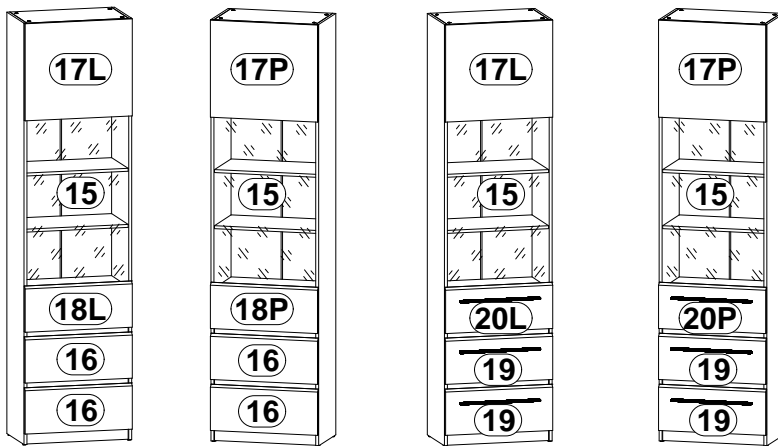
16	S321-006	596	250 4/4	→
18L	S321-705	596	250 4/4	→
18P	S321-707	596	250 4/4	→

REG1W2S/60/L  
REG1W2S/60/P

**-P**

19	S321-006-01	596	250 4/4	→
20L	S321-705-01	596	250 4/4	→
20P	S321-707-01	596	250 4/4	→

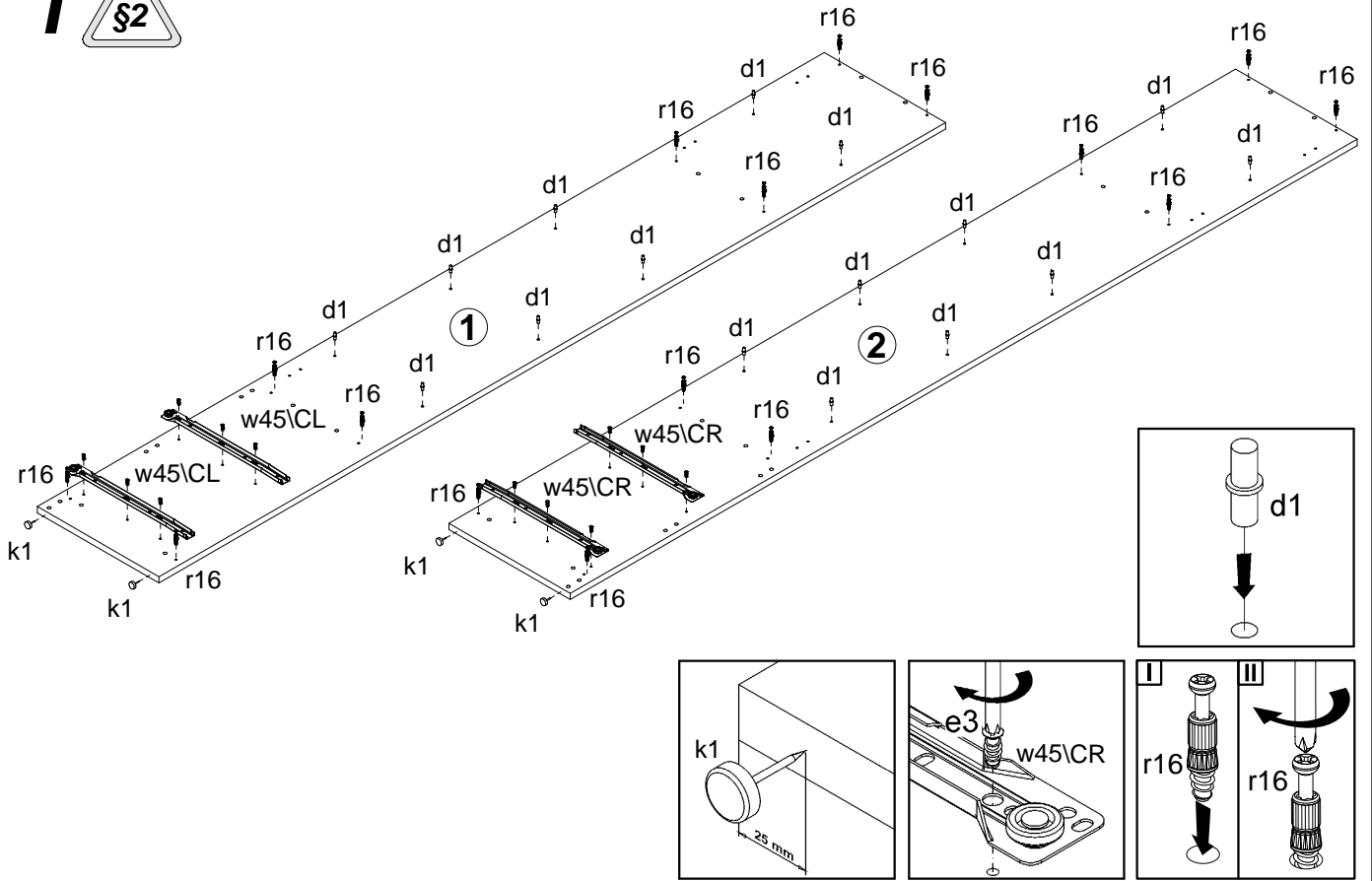
**-P** REG1W2S/60/L/P  
**-P** REG1W2S/60/L  
**-P** REG1W2S/60/P



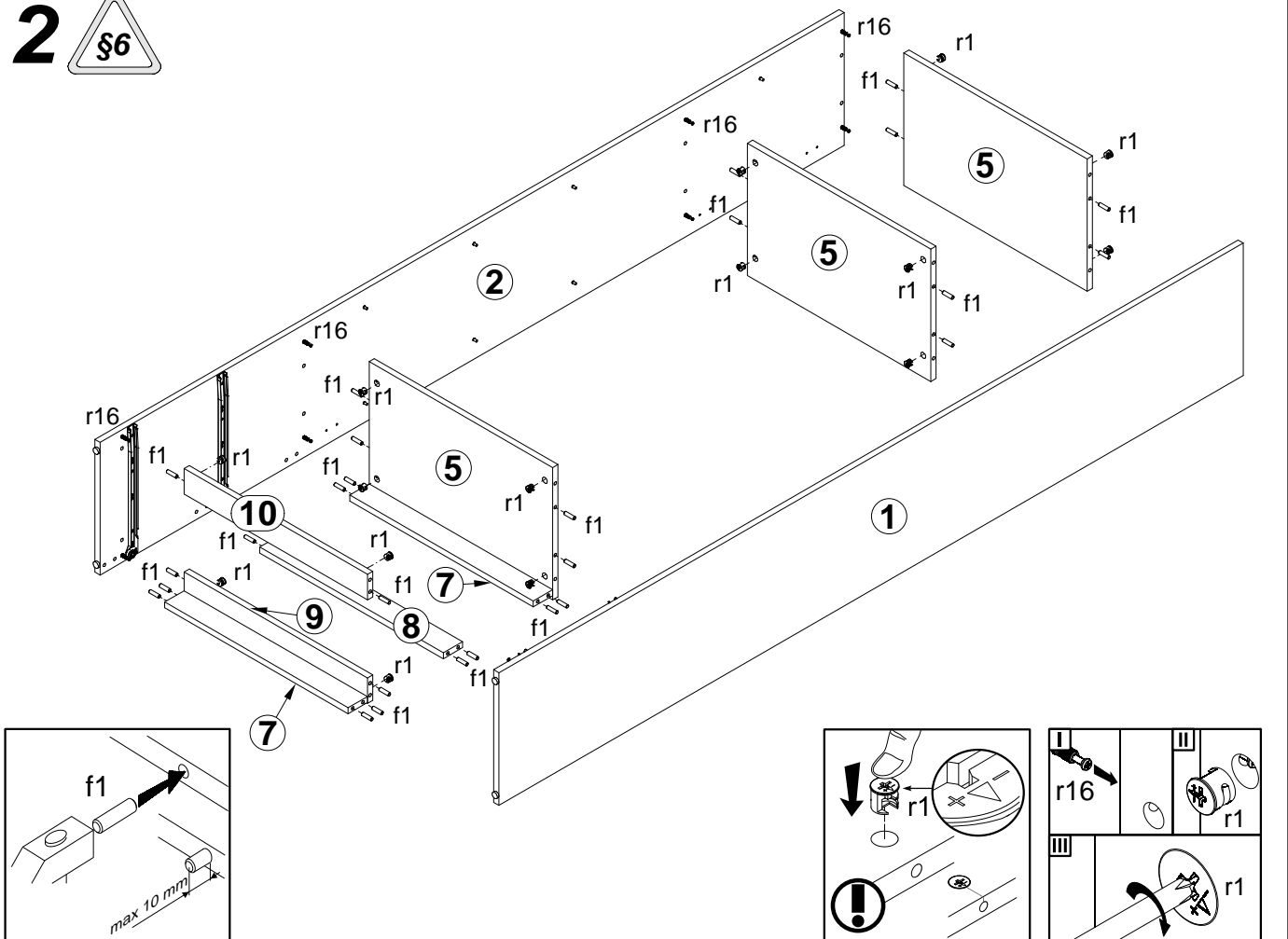
**-P** REG1W2S/60/L    **-P** REG1W2S/60/P    REG1W2S/60/L    REG1W2S/60/P

3x a44	3x b19	16x d1 5x17 mm	12x e3 6x13 mm	8x e32 5x50 mm	8x e41 5x12mm	28x f1 8x30 mm	4x k1
75x l1	1x n26\1	6x o21 silikon	8x o54 5,3/ 8,3x4,8 mm	1x p38 3,5x16 mm	6x p51 3,5x15 mm	8x p54 3x12 mm	24x r1 15x12mm #16
24x r16 20/9	12x s2 16	6x s4	2x w45\CL 350 mm	2x w45\CR 350 mm	2x w45\DL 350 mm	2x w45\DR 350 mm	
9x p8 4x25 mm	3x c253\9 445 mm						

# 1



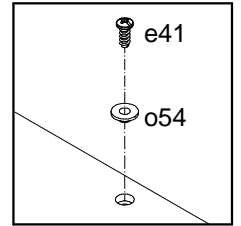
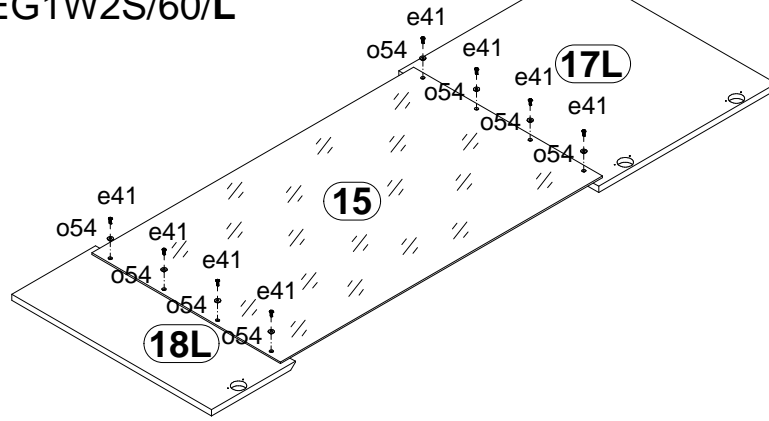
# 2





# 5

## REG1W2S/60/L

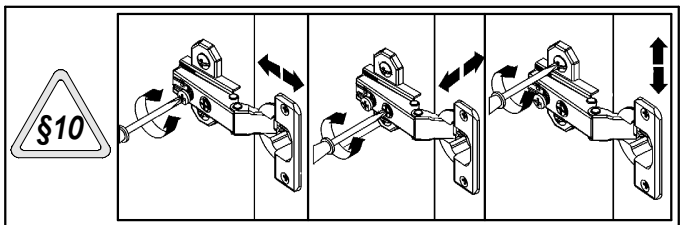
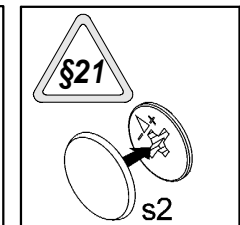
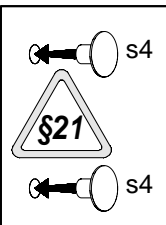
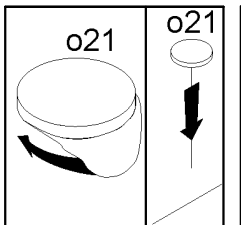
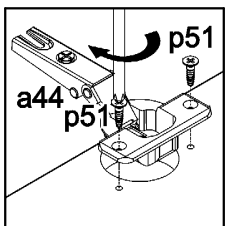
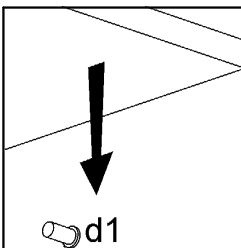
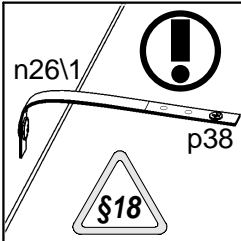
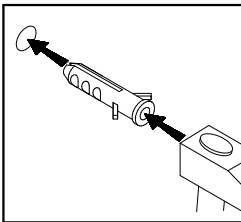
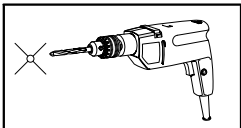
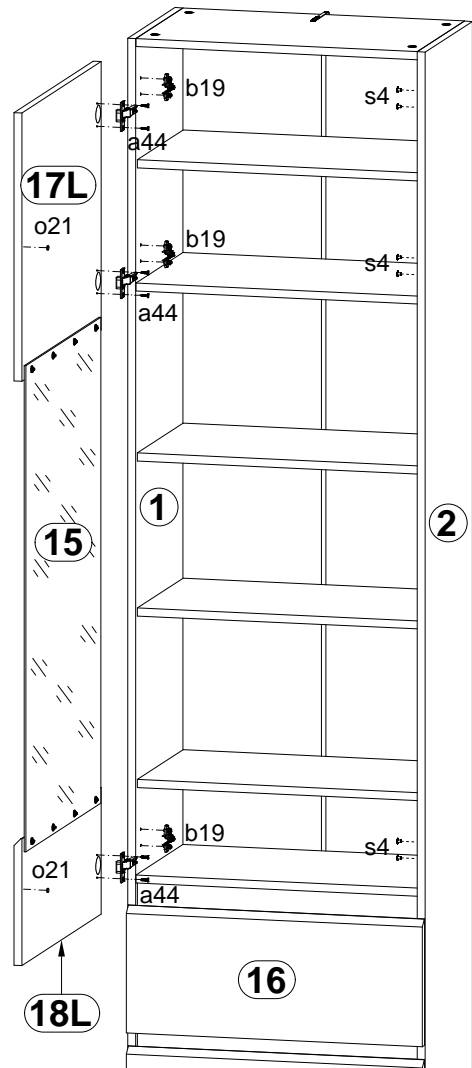
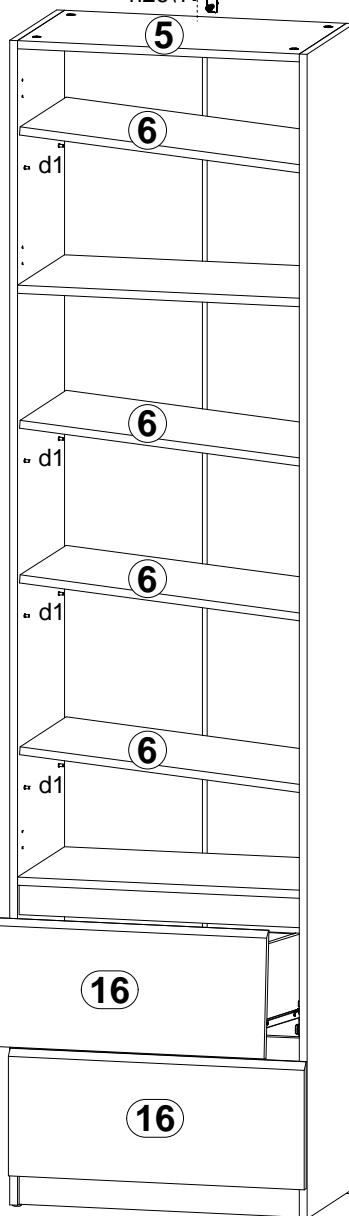


# 6

## REG1W2S/60/L

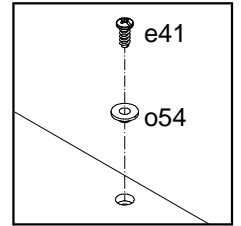
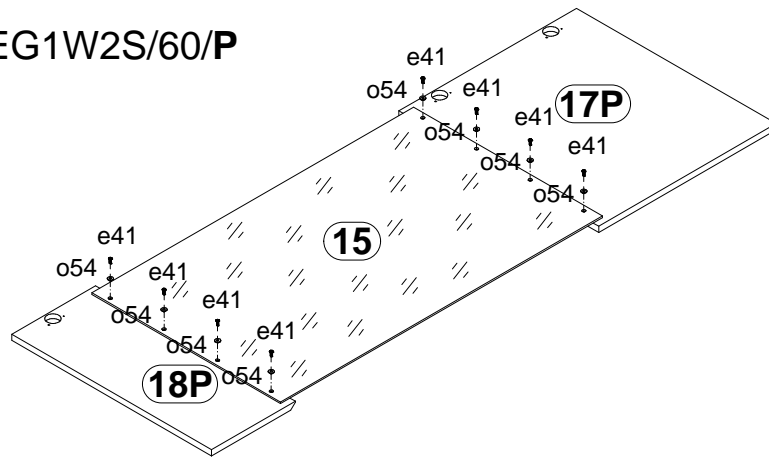


p38  
n26v1



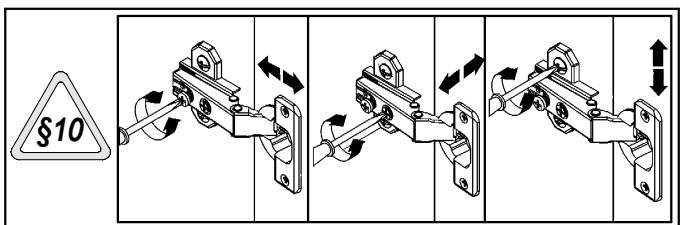
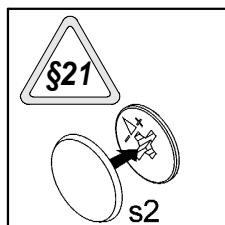
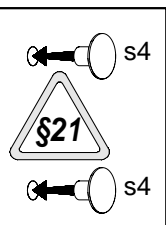
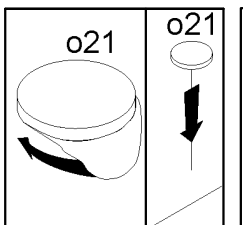
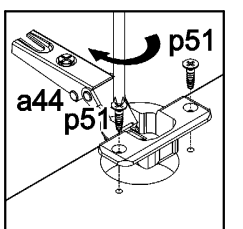
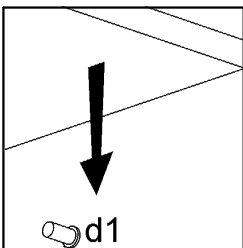
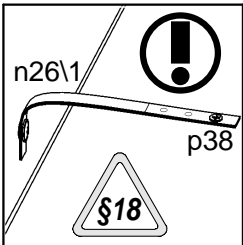
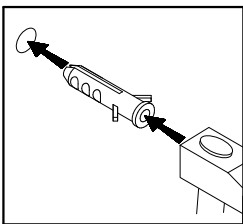
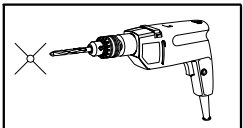
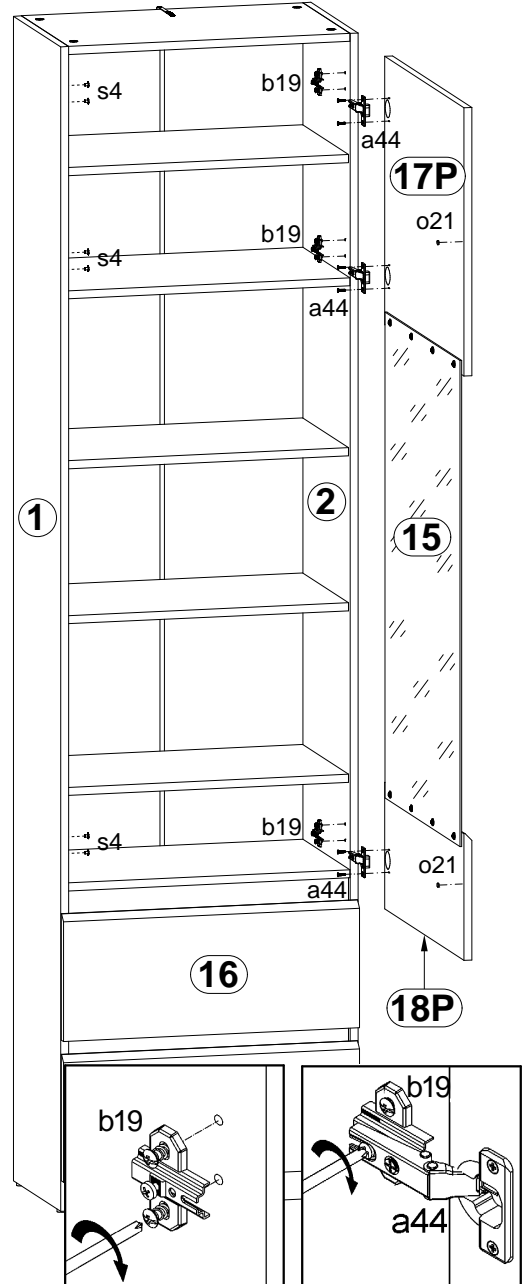
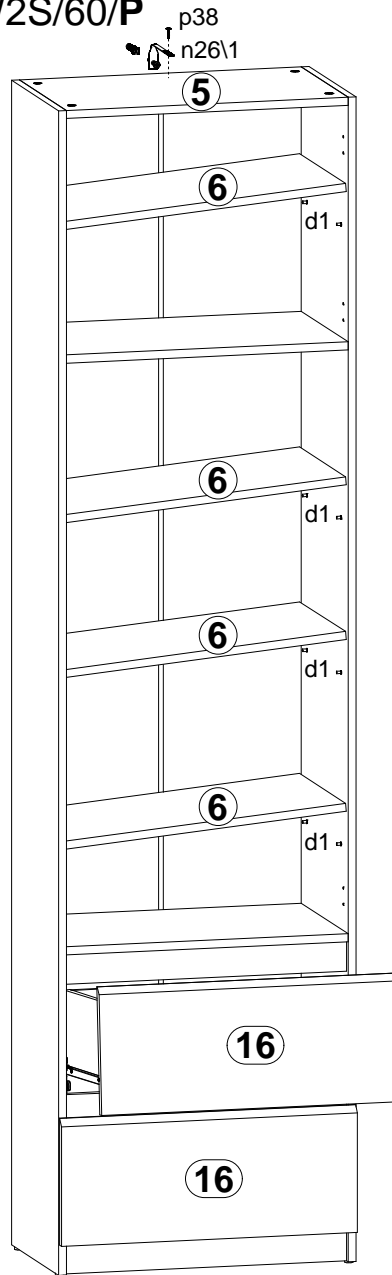
# 5

## REG1W2S/60/P

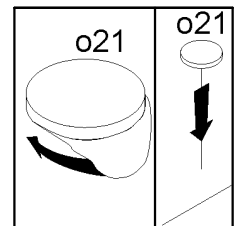
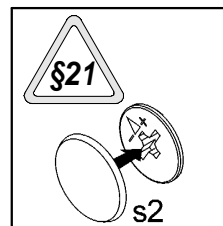
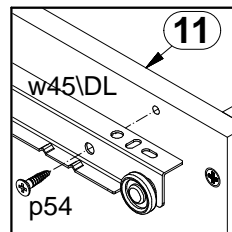
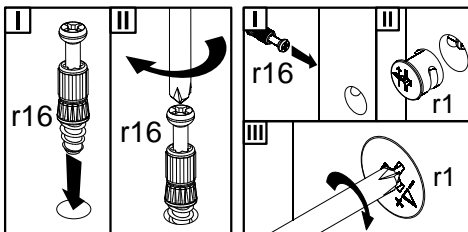
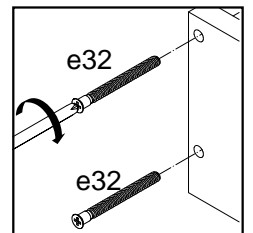
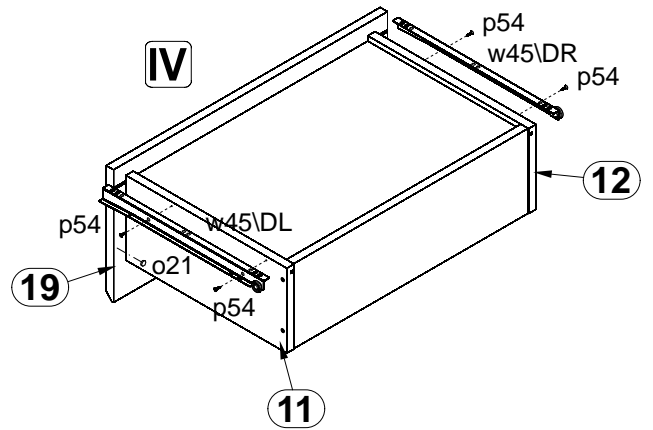
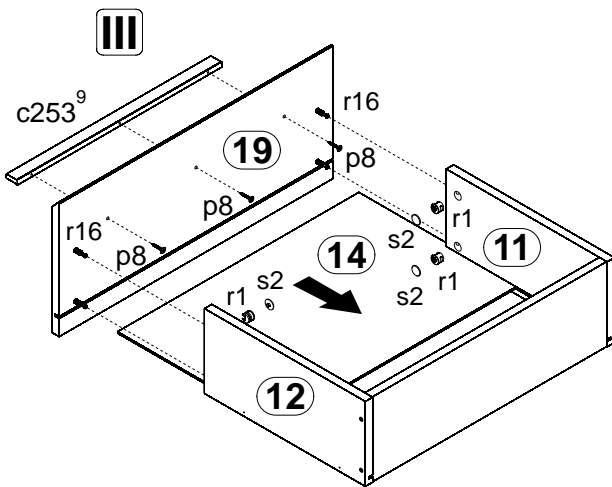
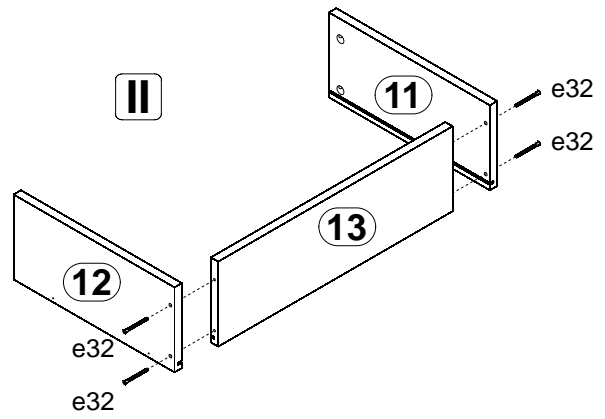
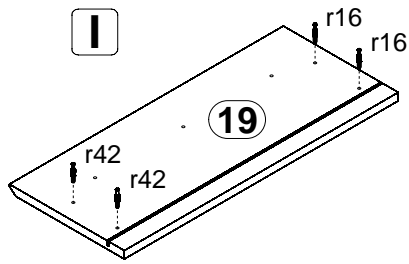


# 6

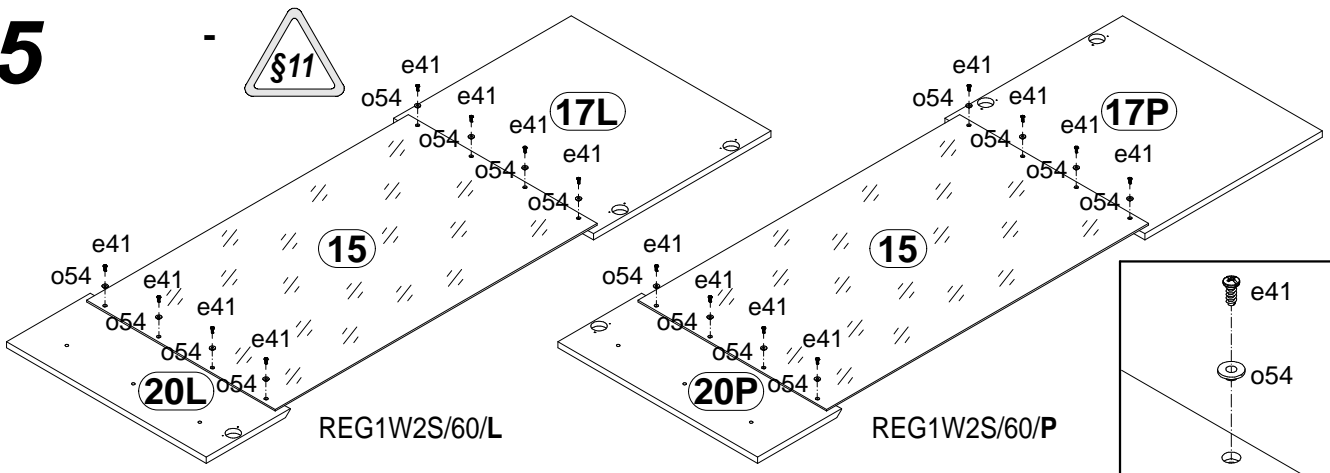
## REG1W2S/60/P



# 4

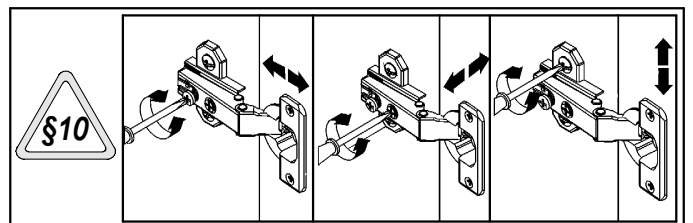
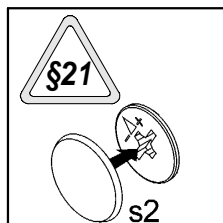
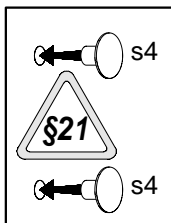
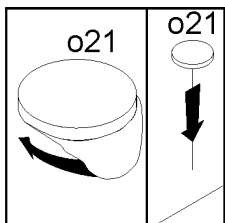
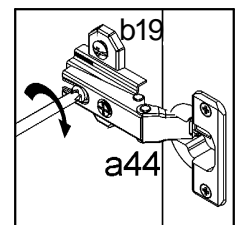
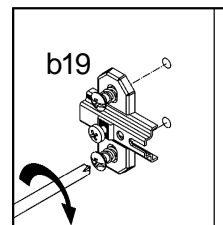
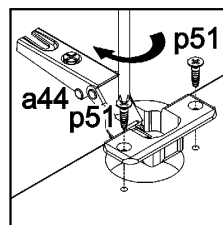
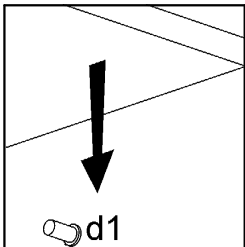
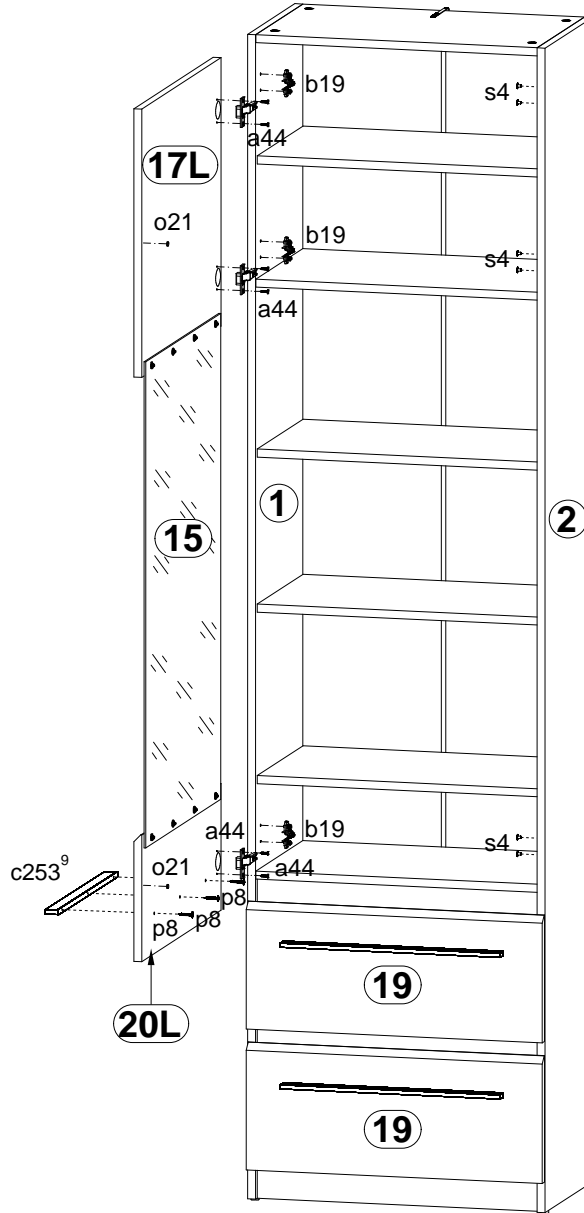
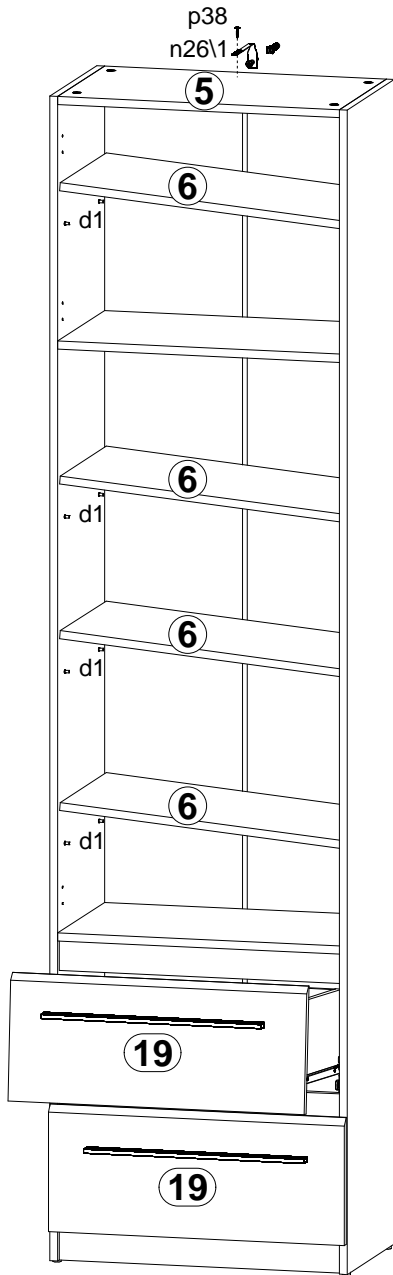
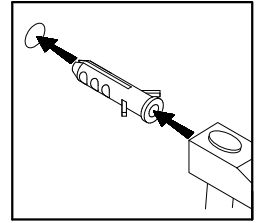
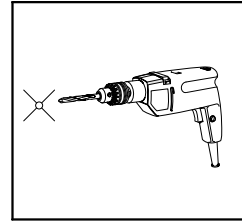
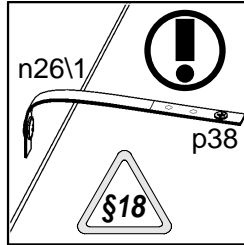


# 5



# 6

## -P REG1W2S/60/L



# 6

## -P REG1W2S/60/P

