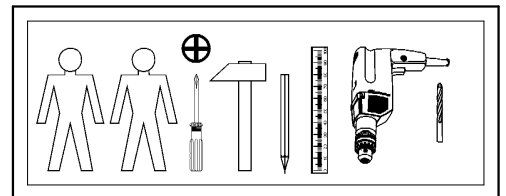
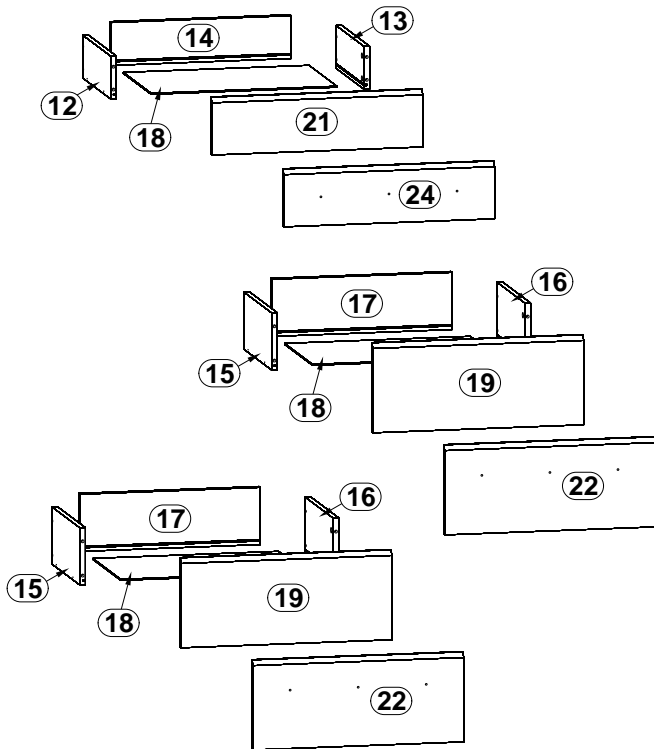
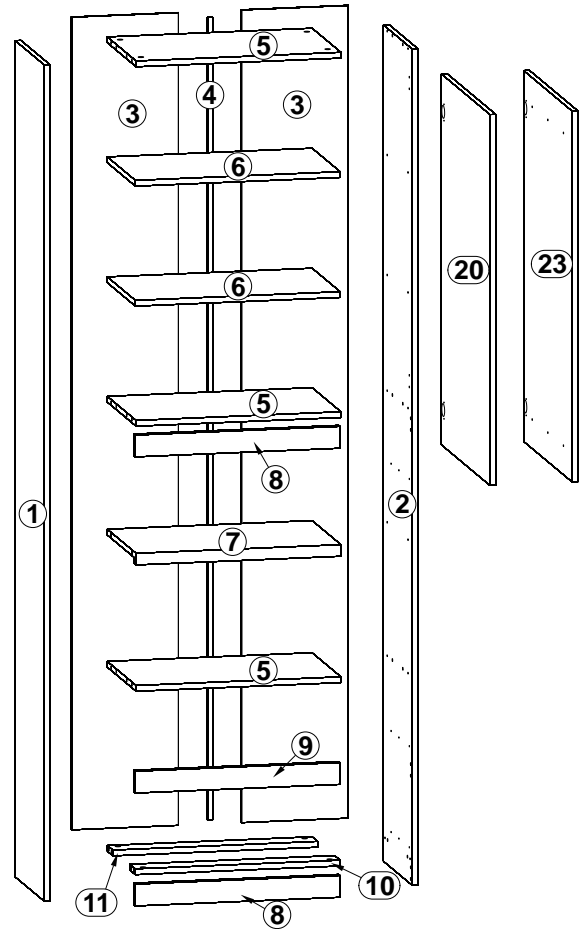
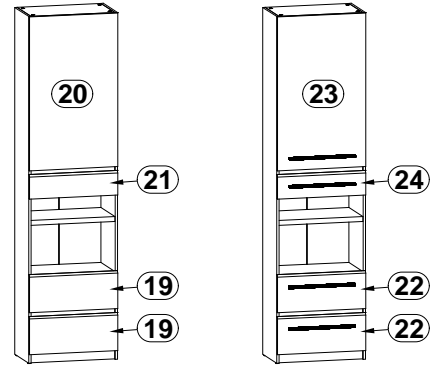
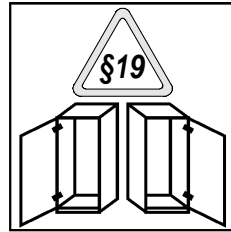


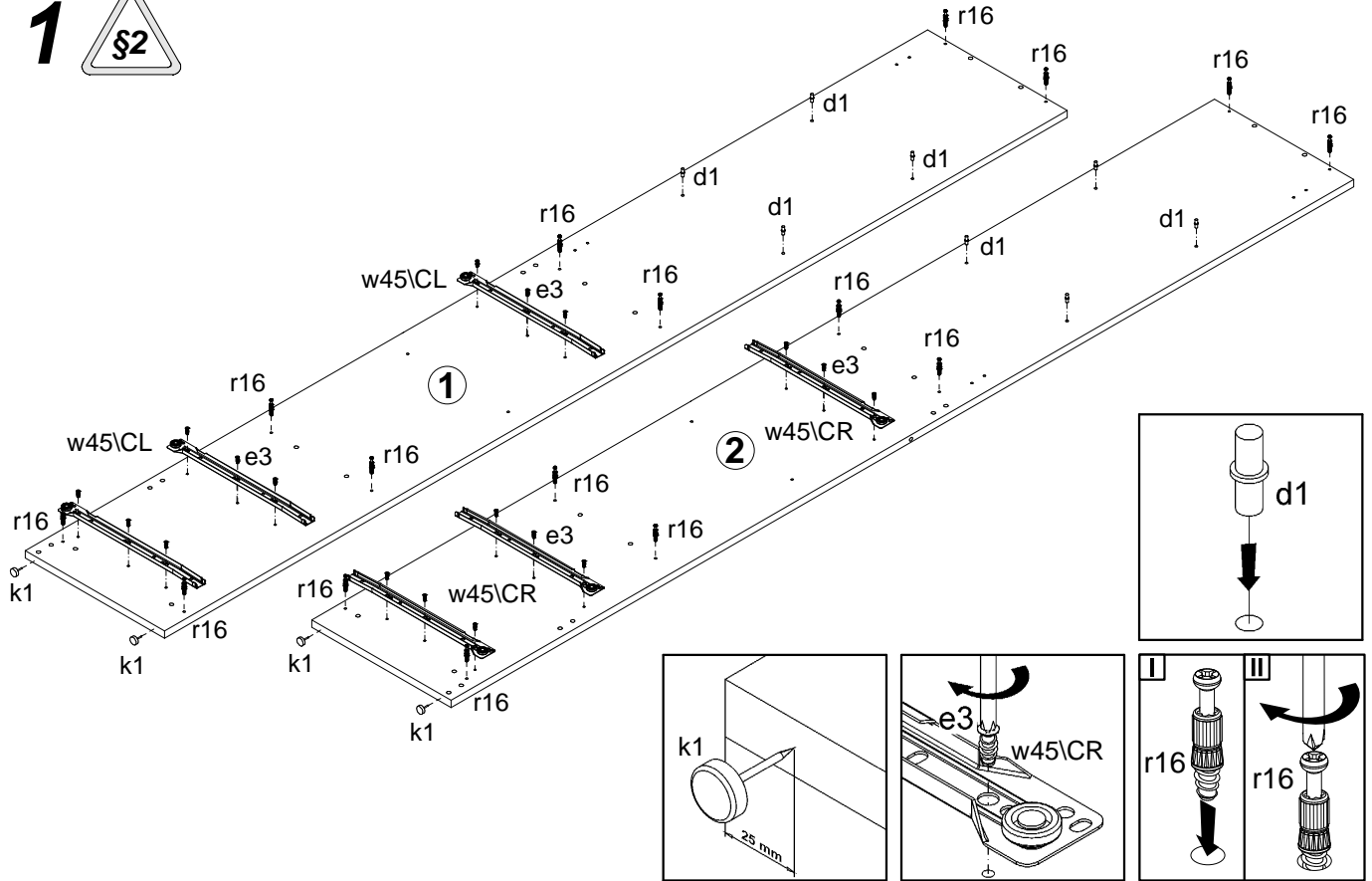
REG1D3S/60_LP

A	B	C	D	
1	S321-118-01	2300	355	1/3
2	S321-119-01	2300	355	1/3
3	S321-906	2235	296	1/3
4	LH-2207	2207		1/3
5	S321-309	567	354	2/3
6	S321-310	567	345	2/3
7	S321-323	567	354	2/3
8	S321-407	567	60	2/3
9	S321-431	567	60	2/3
10	S321-413	567	68	2/3
11	S321-430	567	68	2/3
12	S321-508	350	120	2/3
13	S321-509	350	120	2/3
14	S321-510	510	120	2/3
15	S321-505	350	160	2/3
16	S321-506	350	160	2/3
17	S321-507	510	160	2/3
18	S321-920	525	349	2/3
19	S321-006	596	250	3/3
20	S321-009	596	1020	3/3
21	S321-010	596	160	3/3
22	S321-006-01	596	250	3/3
23	S321-009-01	596	1020	3/3
24	S321-010-01	596	160	3/3

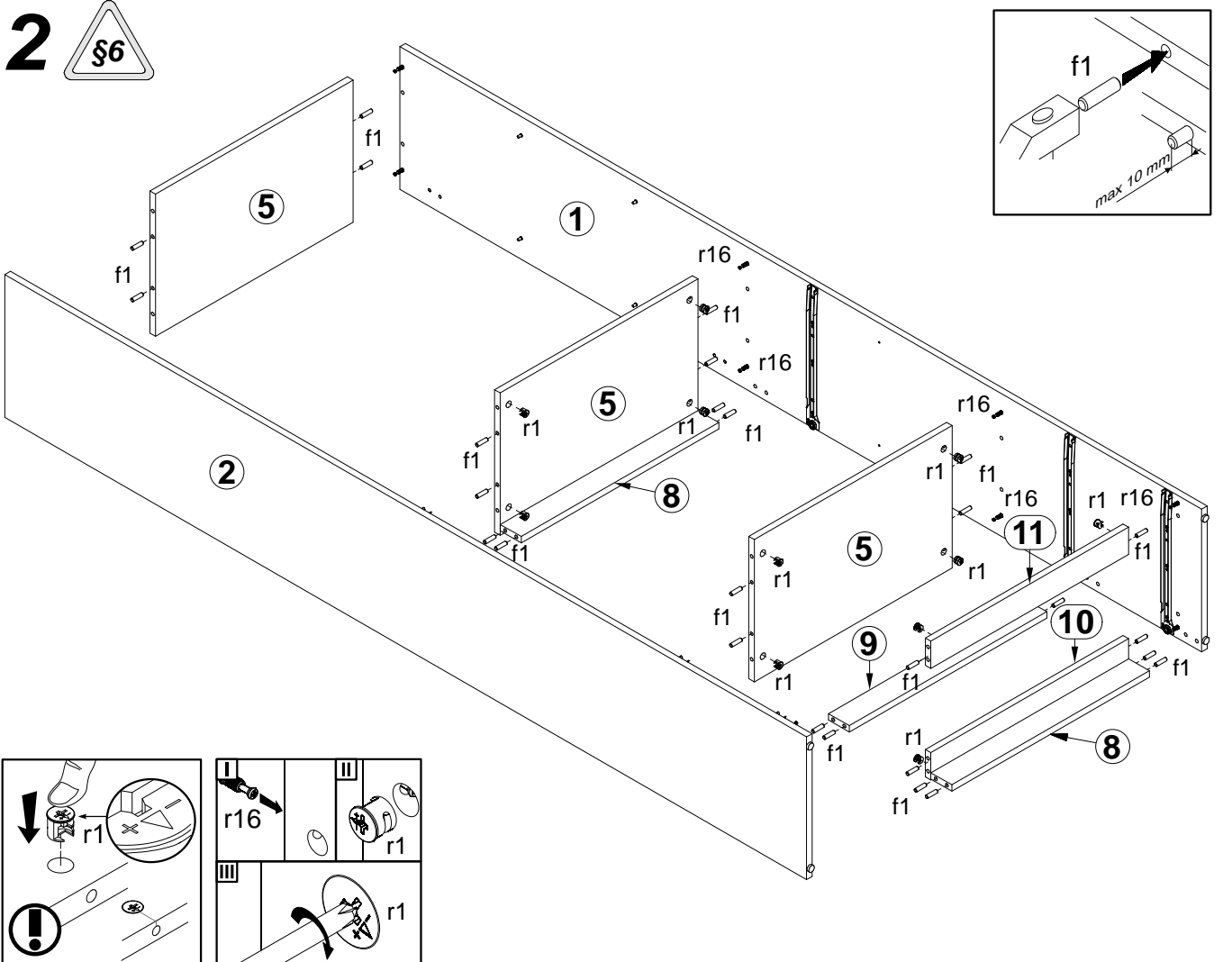


2x a44	2x b19	8x d1 5x17 mm	18x e3 6x13 mm	12x e32 5x50 mm	28x f1 8x30 mm	4x k1	75x l1	1x n26\1
8x o21 silikon	1x p38 3.5x16 mm	4x p51 3.5x15 mm	12x p54 3x12 mm	28x r1 15x12mm #16	28x r16 20/9	4x r36 2x12mm #16	4x r37 6/7/8	12x s2 16
4x s4	3x w45\CL 350 mm	3x w45\CR 350 mm	3x w45\DL 350 mm	3x w45\DR 350 mm	12x p8 4x25 mm	4x c253 445 mm	-	-

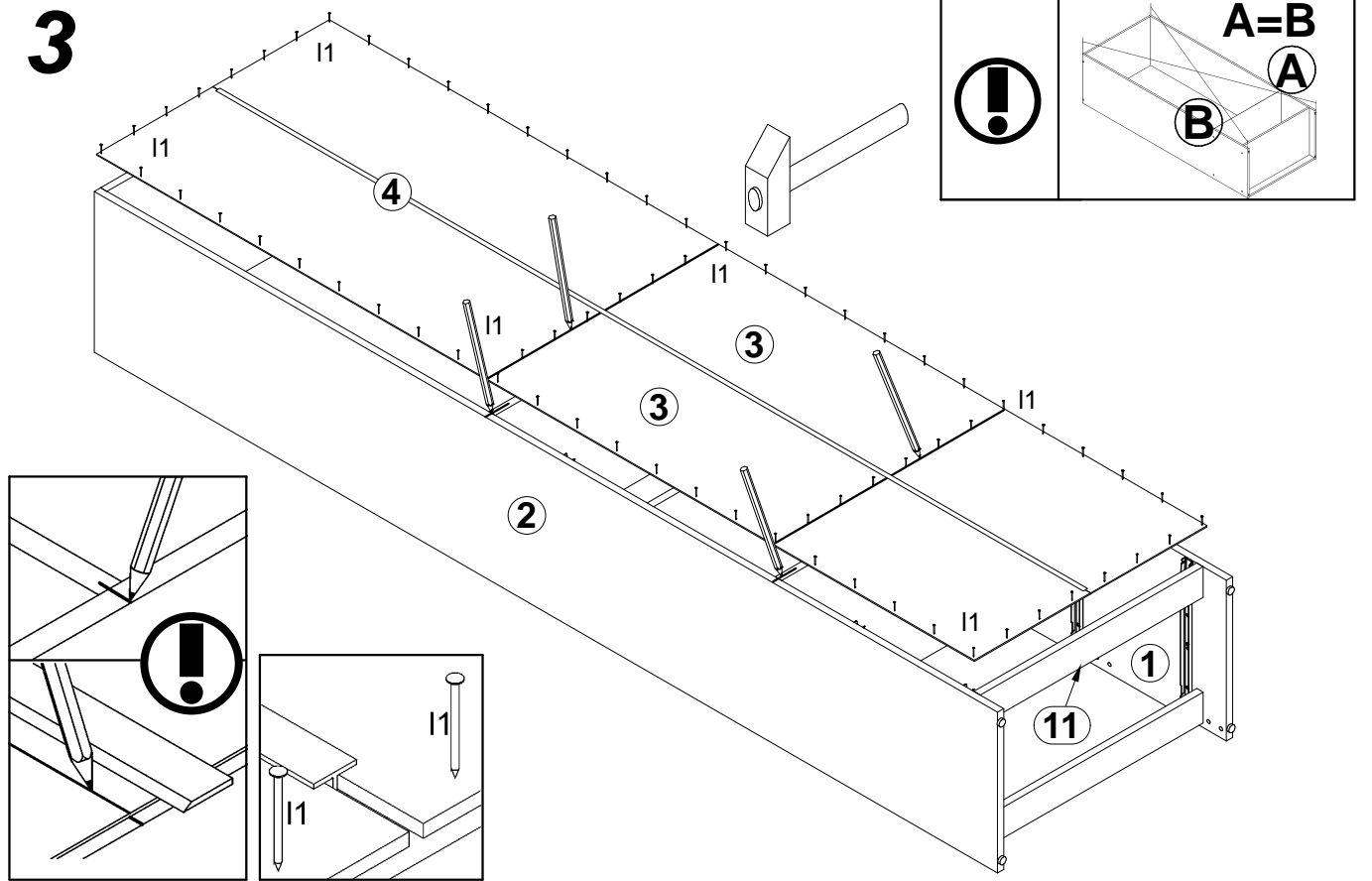
1



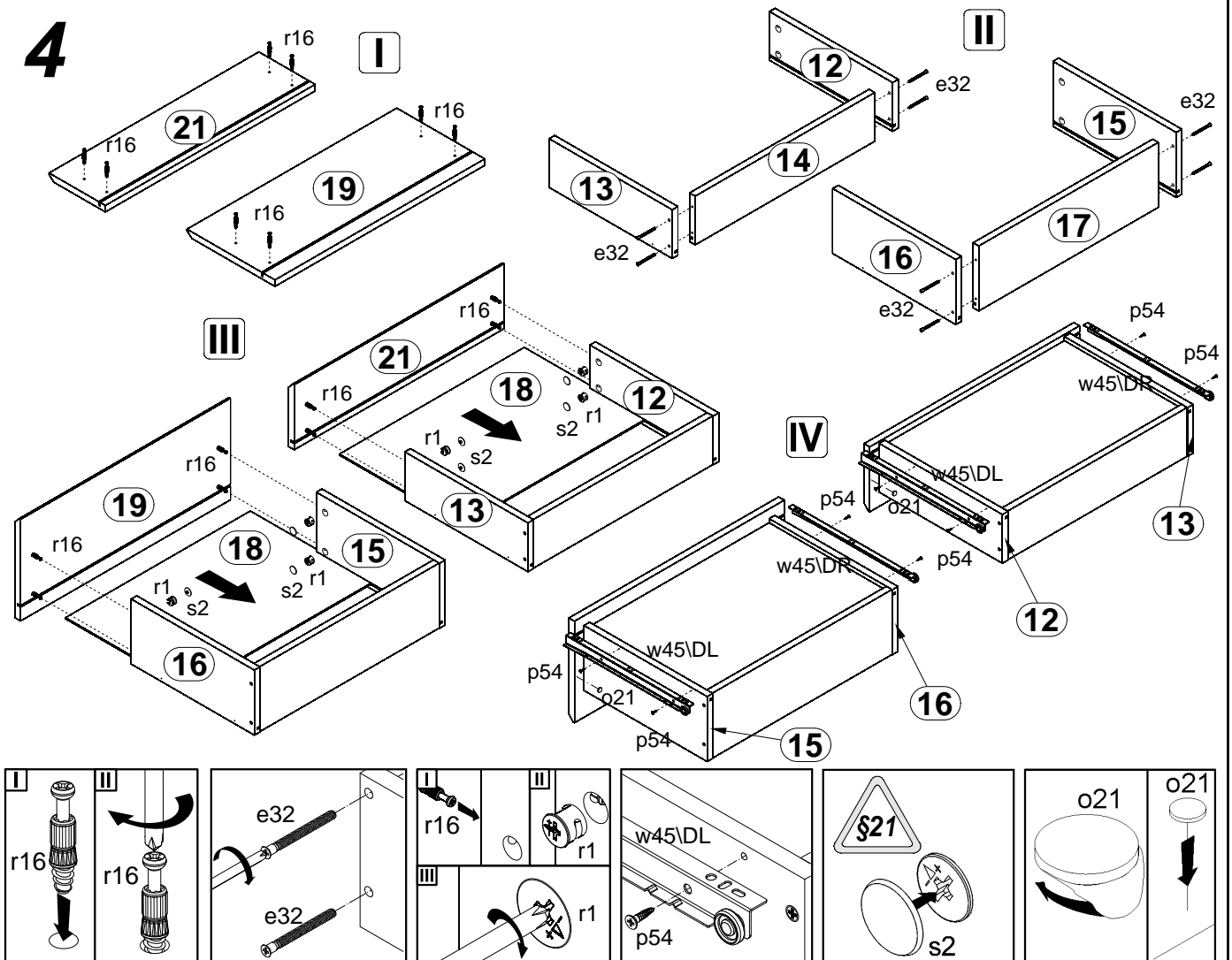
2



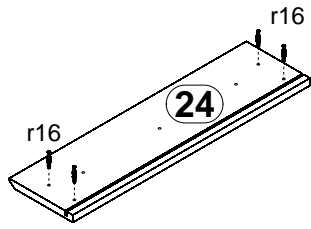
3



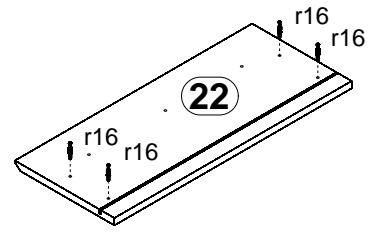
4



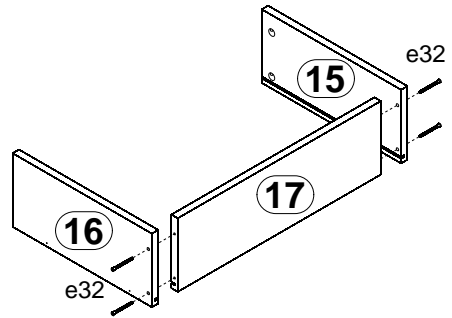
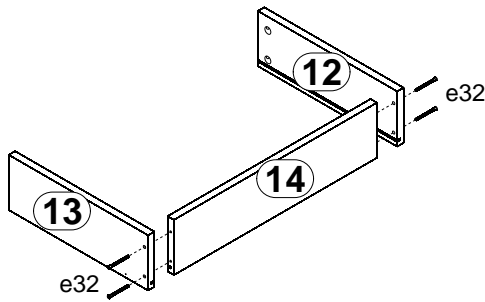
4



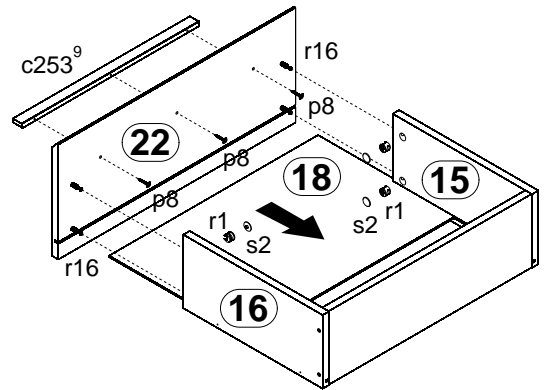
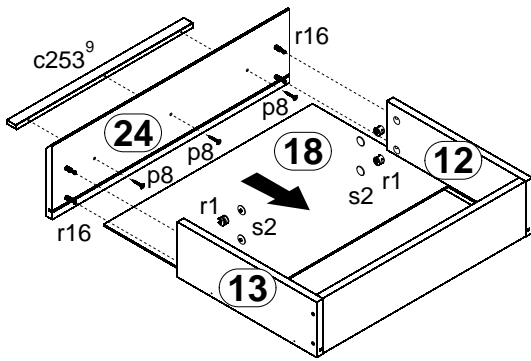
I



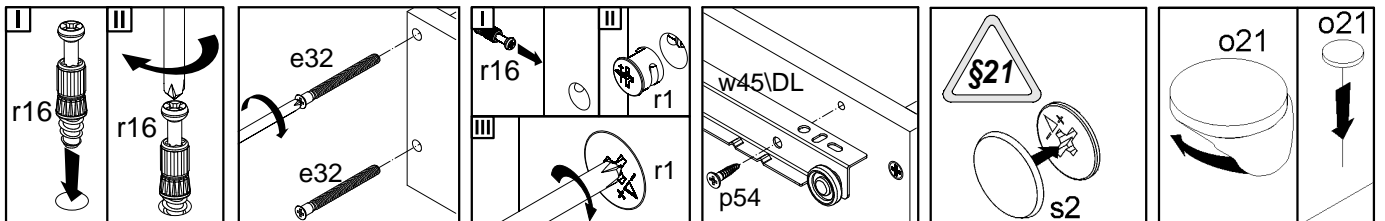
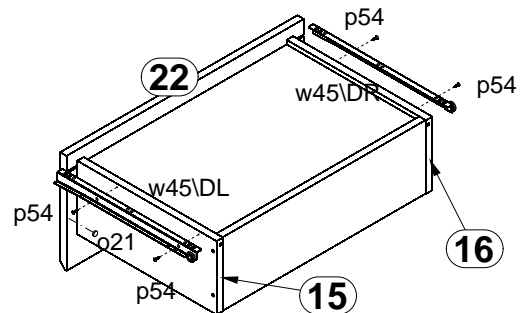
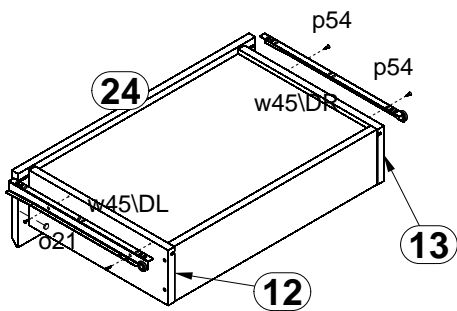
II



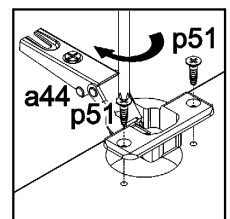
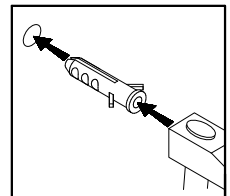
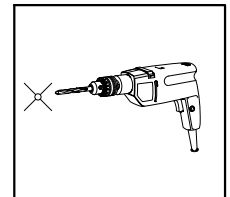
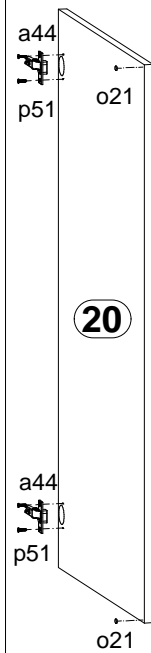
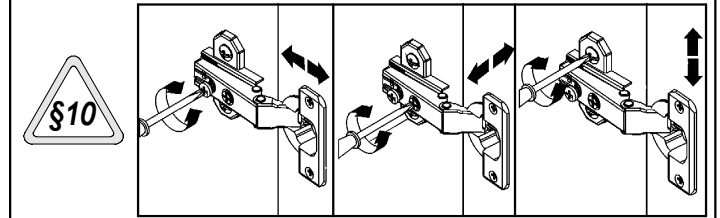
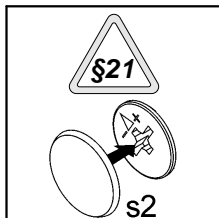
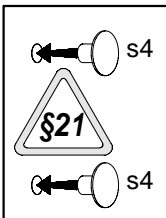
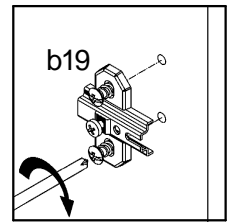
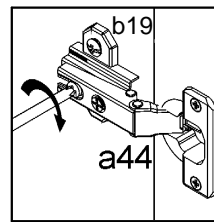
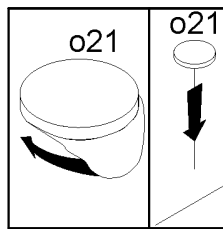
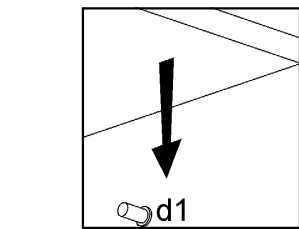
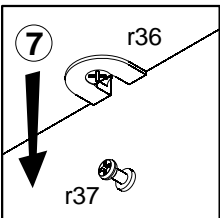
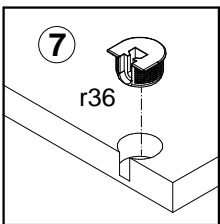
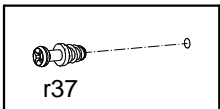
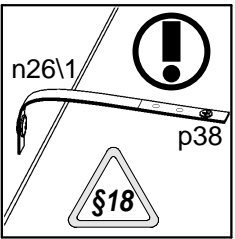
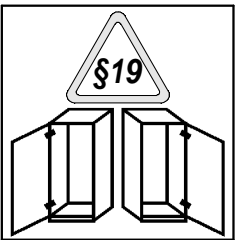
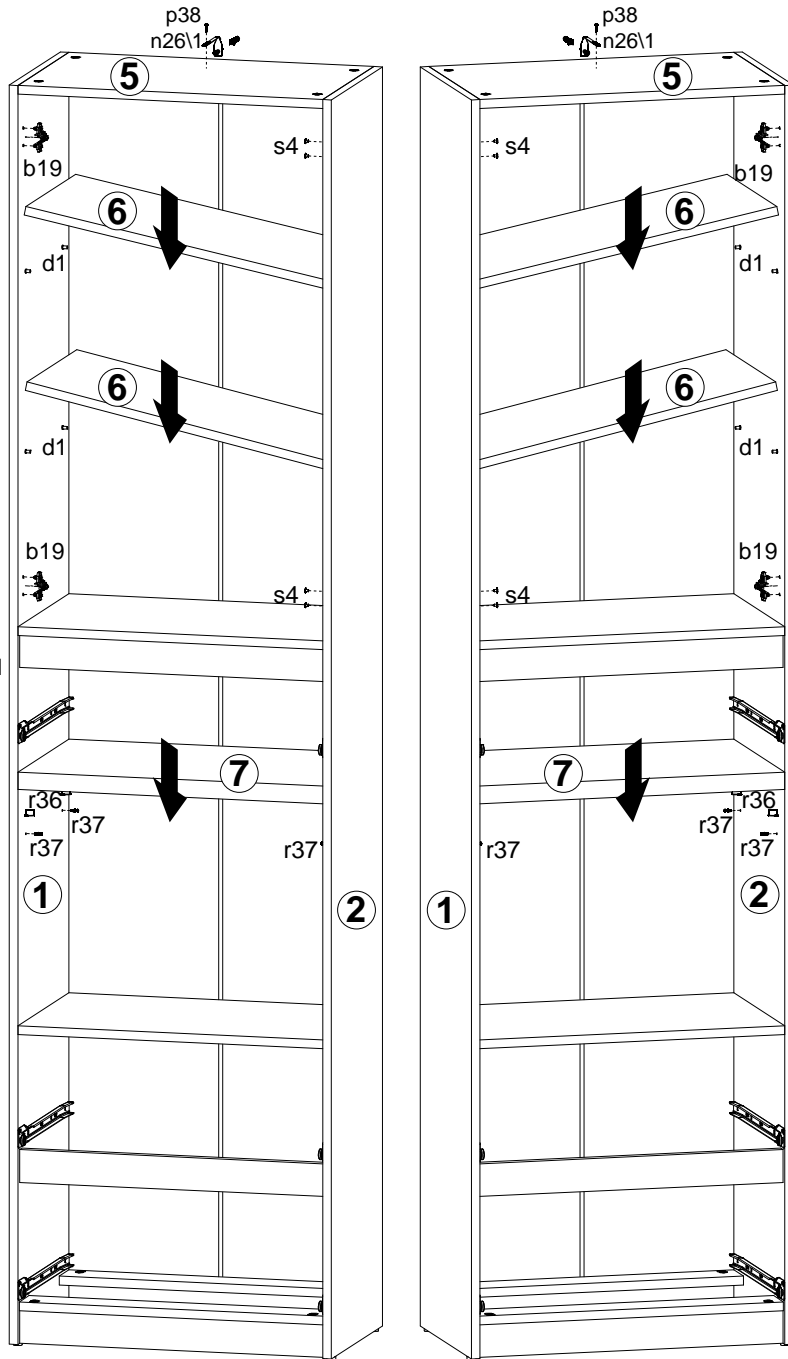
III



IV



5



5

