

A	B	C	D
1	S321-107-01	2300	355 1/4
2	S321-108-01	2300	355 1/4
3	S321-905	2235	445 1/4
4	S321-307	417	354 2/4
5	S321-308	417	345 2/4
6	S321-405	417	60 2/4



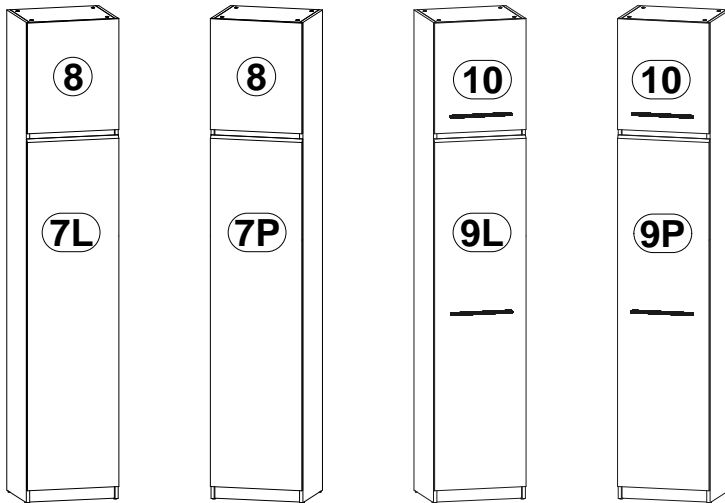
7L	S321-005	446	1682	3/4	→
7P	S321-013	446	1682	3/4	→
8	S321-004	446	530	4/4	→

REG2D/45/L
REG2D/45/P
REG2D/45/L/P

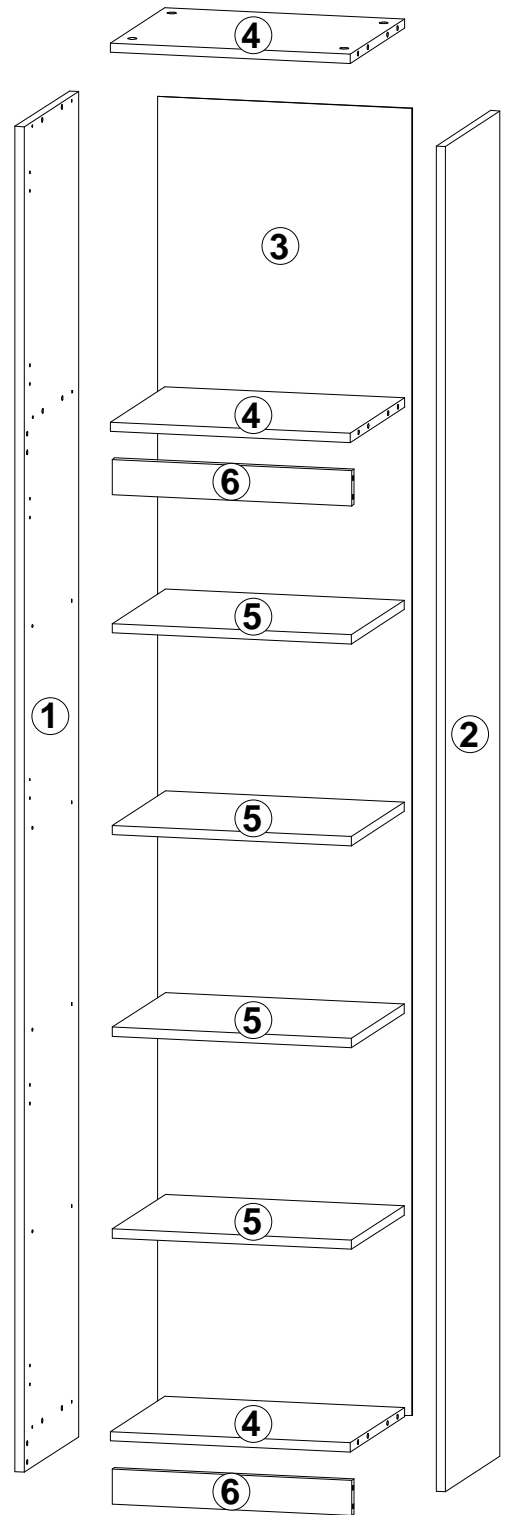
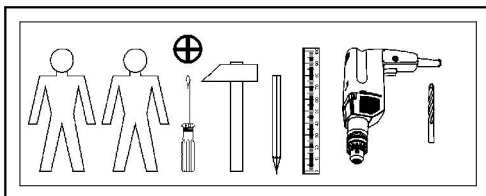
-P

9L	S321-005-01	446	1682	3/4	→
9P	S321-013-01	446	1682	3/4	→
10	S321-004-01	446	530	4/4	→

-P REG2D/45/L
-P REG2D/45/P
-P REG2D/45/L/P

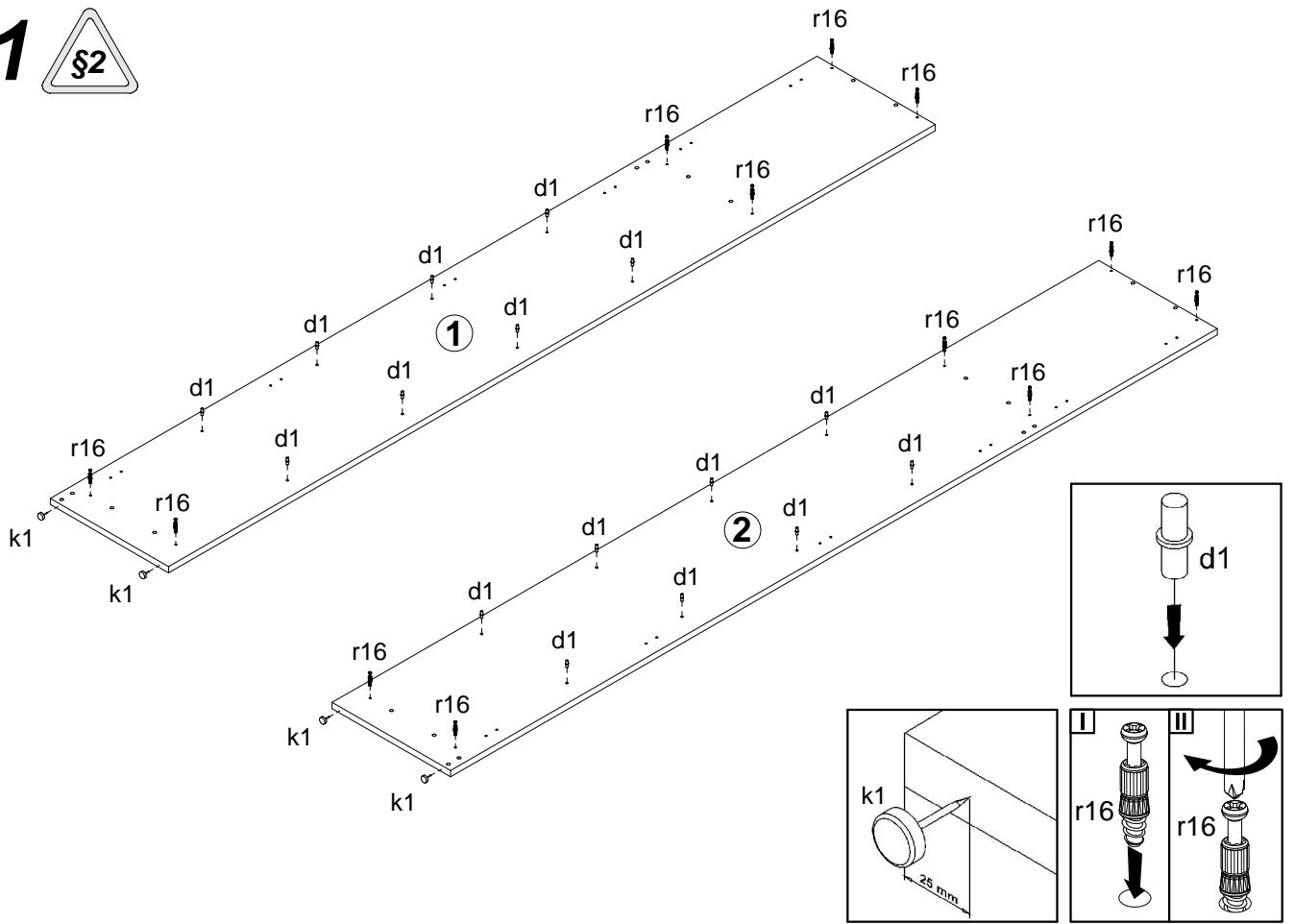


REG2D/45/L REG2D/45/P **-P** REG2D/45/L **-P** REG2D/45/P

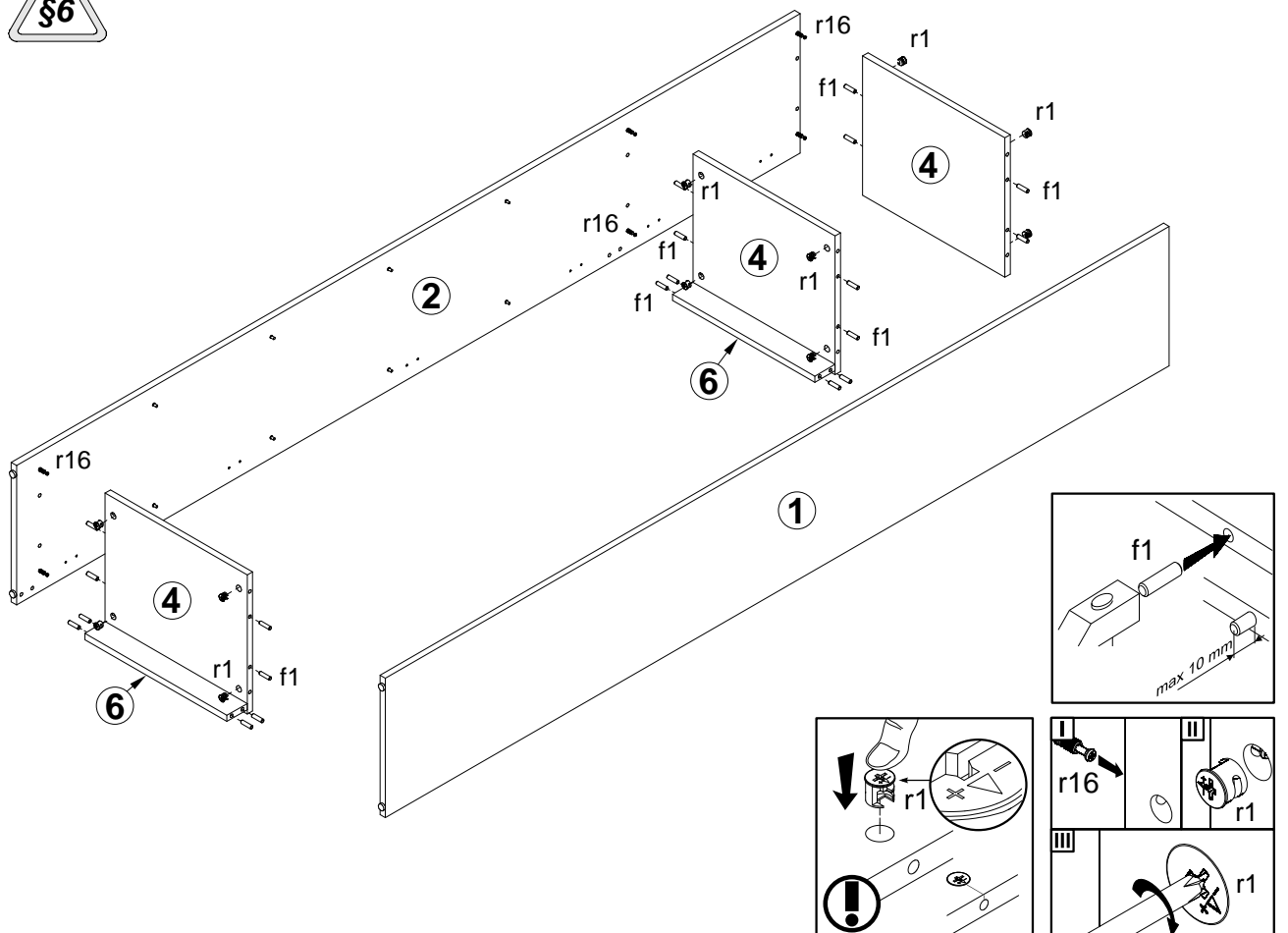


6x a44	6x b19	16x 5x17 mm d1	20x 8x30 mm f1	4x k1	55x l1	1x n261	4x silikon o21
1x 3,5x16 mm p38	12x 3,5x15 mm p51	12x 15x12mm #16 r1	12x 20/9 r16	4x 16 s2	12x s4		
4x 4x25 mm p8	2x 295 mm c253 ⁸	-P					

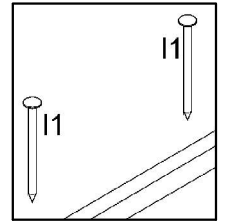
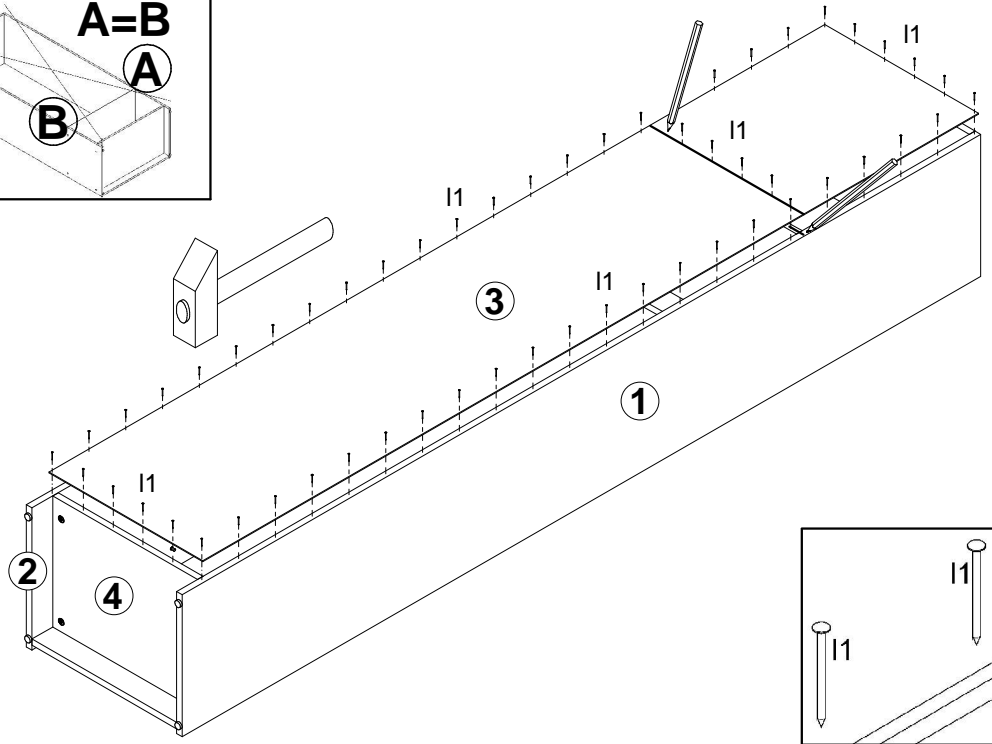
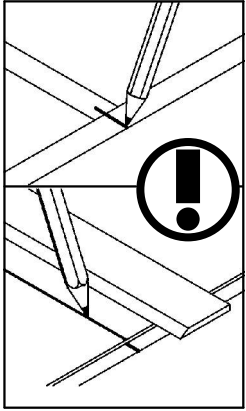
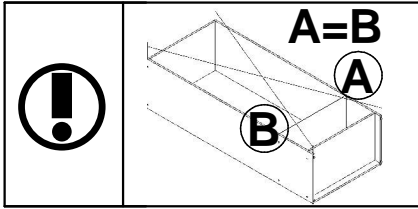
1



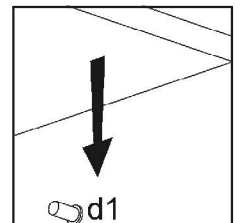
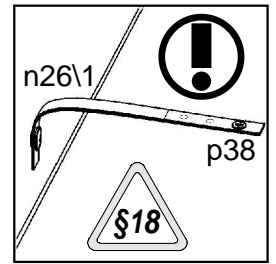
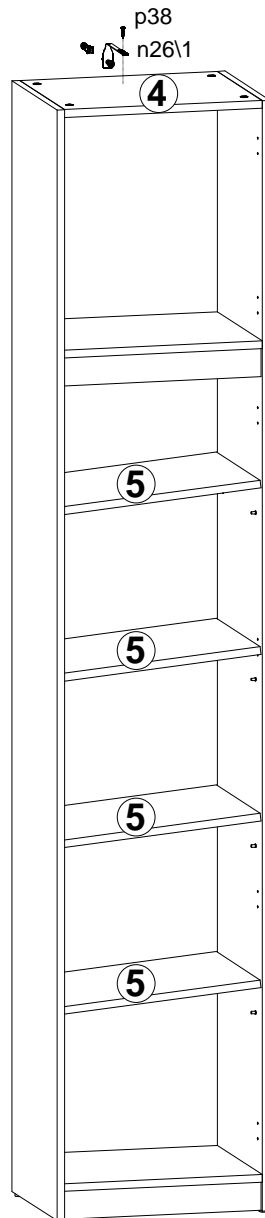
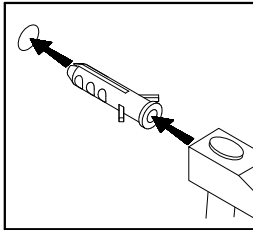
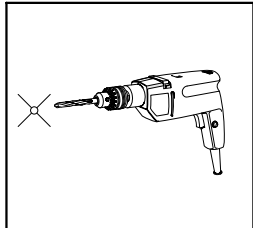
2



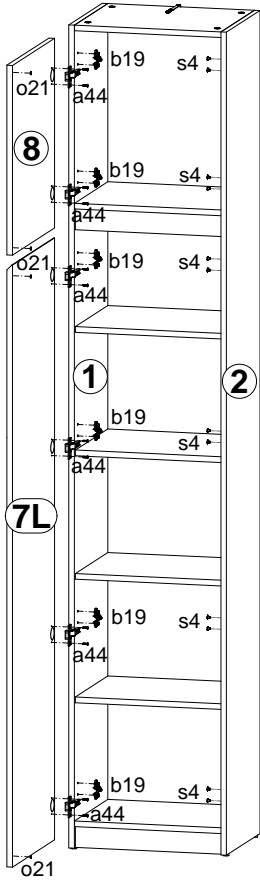
3



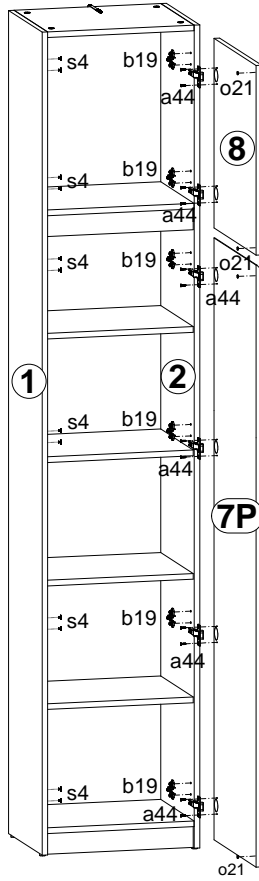
4



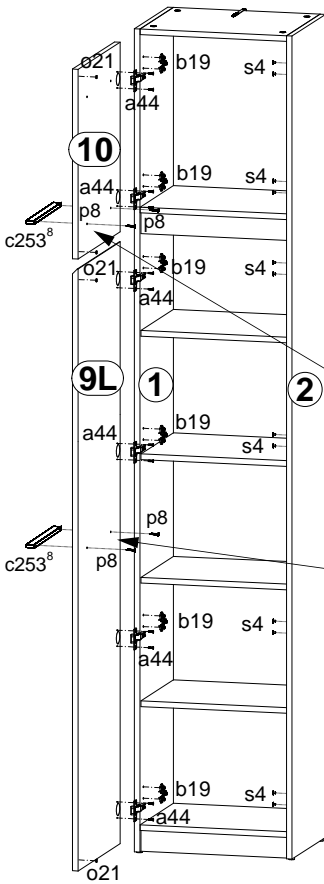
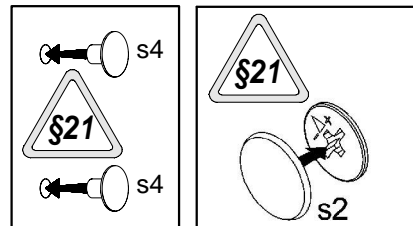
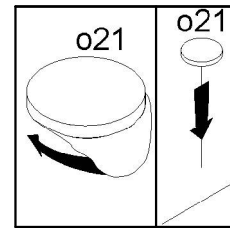
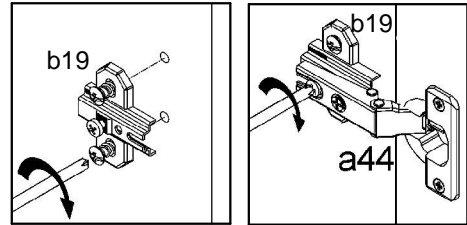
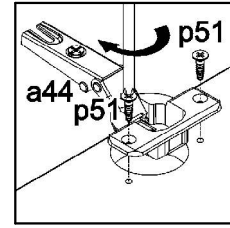
5



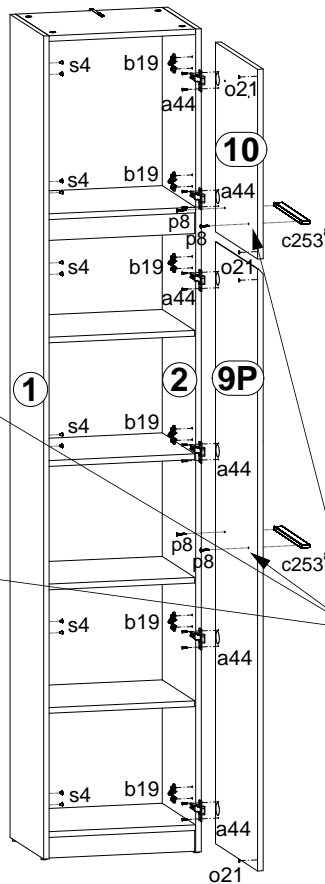
REG2D/45/L



REG2D/45/P



-P
REG2D/45/L



-P
REG2D/45/P

