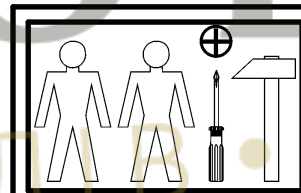
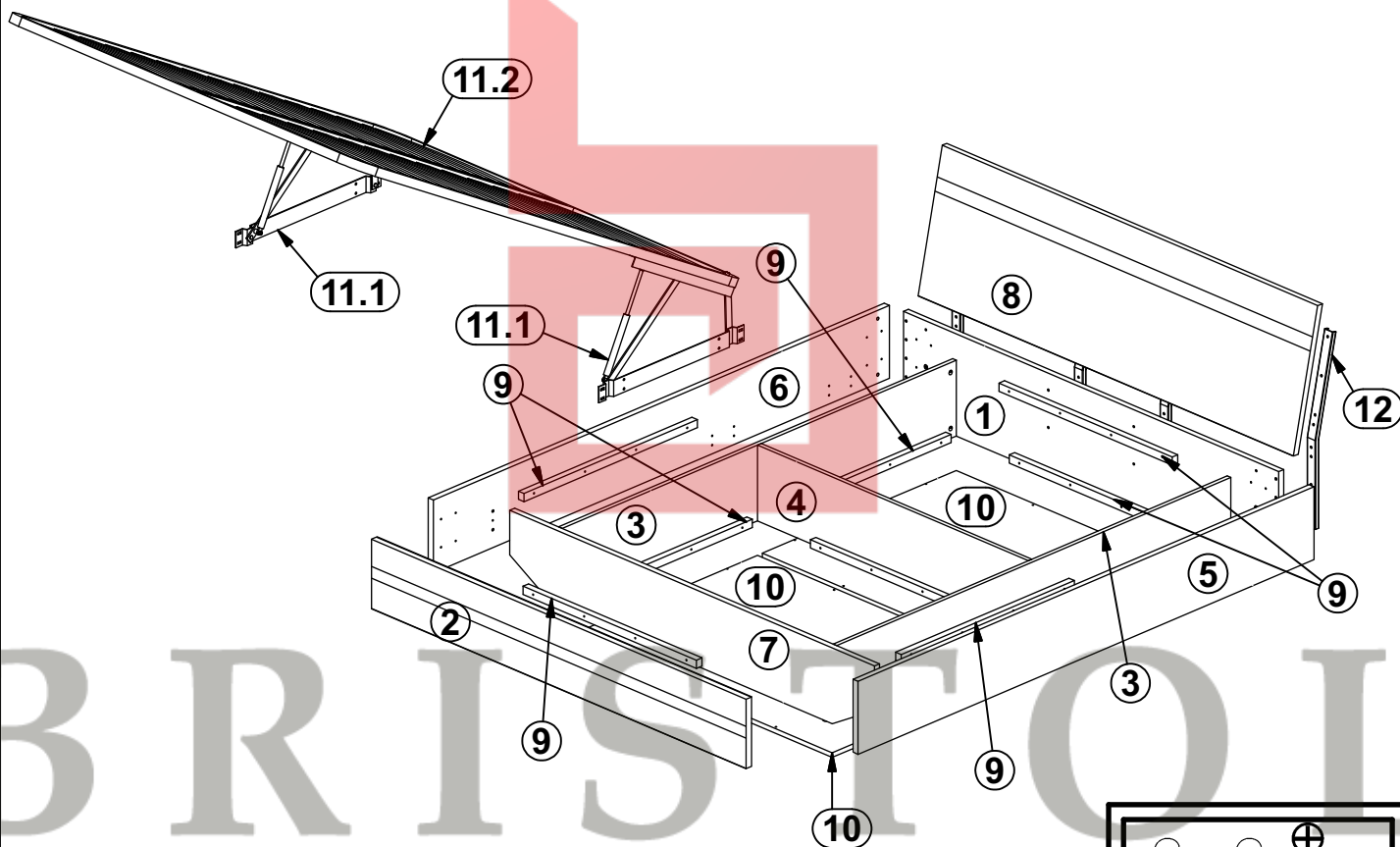
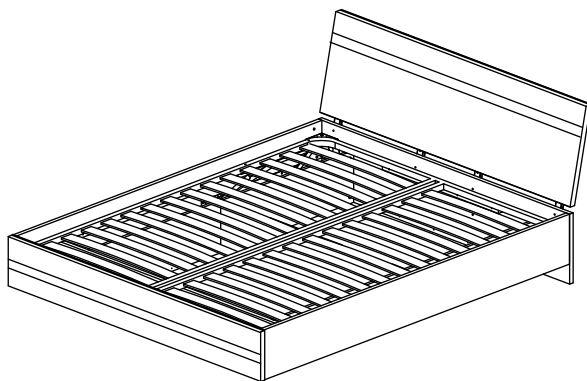


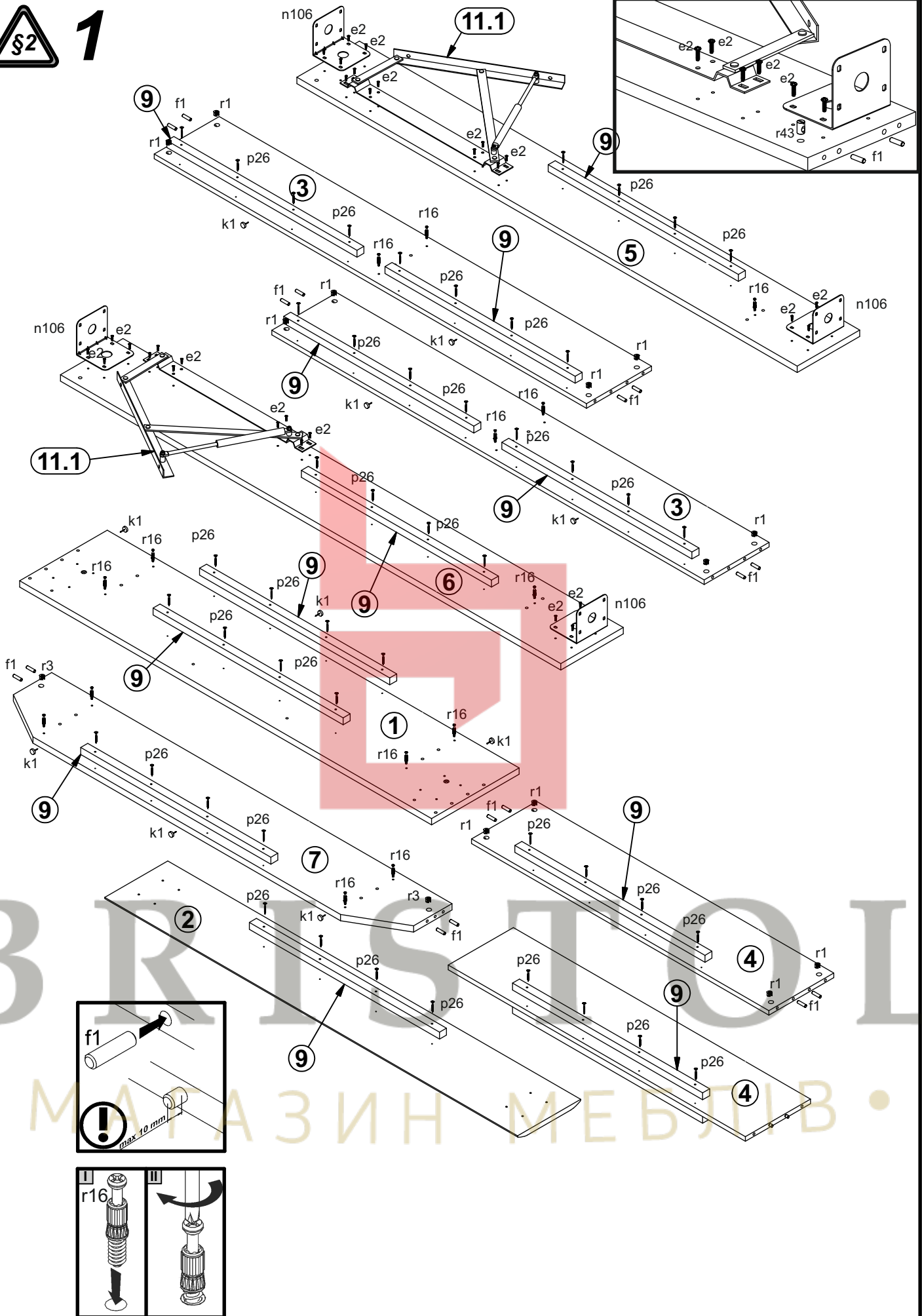
A	B	C	D	
1	N45-047	1646	350	2/6
2	N45-048	1650	252	3/6
3	N45-170	1728	260	2/6
4	N45-171	1188	260	2/6
5	N45-172	2000	250	1/6
6	N45-173	2000	250	1/6
7	N45-174	1600	260	2/6
8	N45-713	1650	600	3/6
9	S205-511	760	28	2/6
10	N45-511	851	1178	4/6
11	Основание с подъемн. мех.			5/6
12	n64			6/6



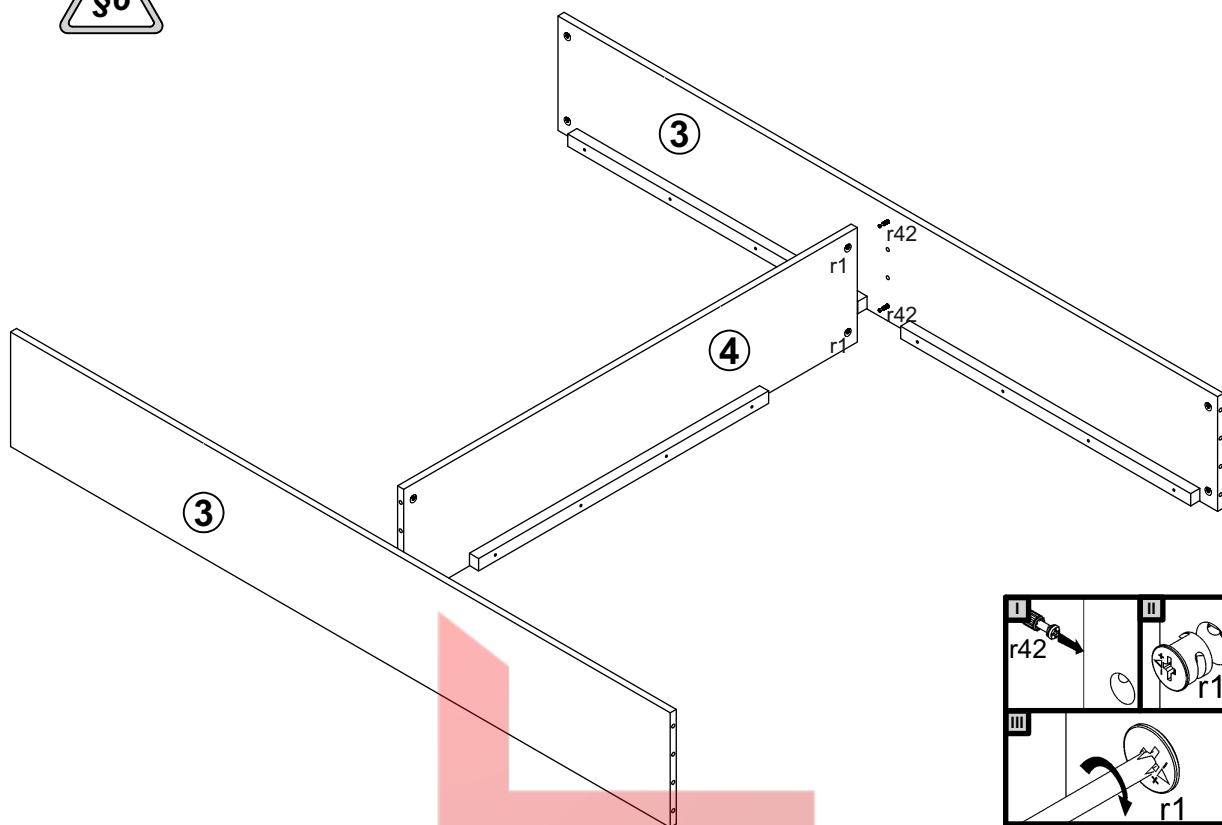
58x φ6,3x13 mm e2	20x φ8x30 mm f1	8x M6 j10	8x φ6x35 mm j115	4x M6x84 mm j117	10x k1	8x φ6xφ12x14 mm o40	24x φ3x30 mm p125	48x φ4x35 mm p26
4x φ10x16 mm r43	1x z1	12x φ15x12 mm #16 r1	14x r42	4x 115x115x122 mm n106	2x Ш1 5x15 mm #22 r3			



1



2



3

