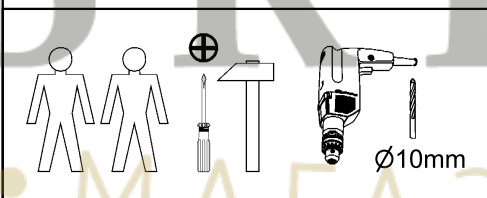
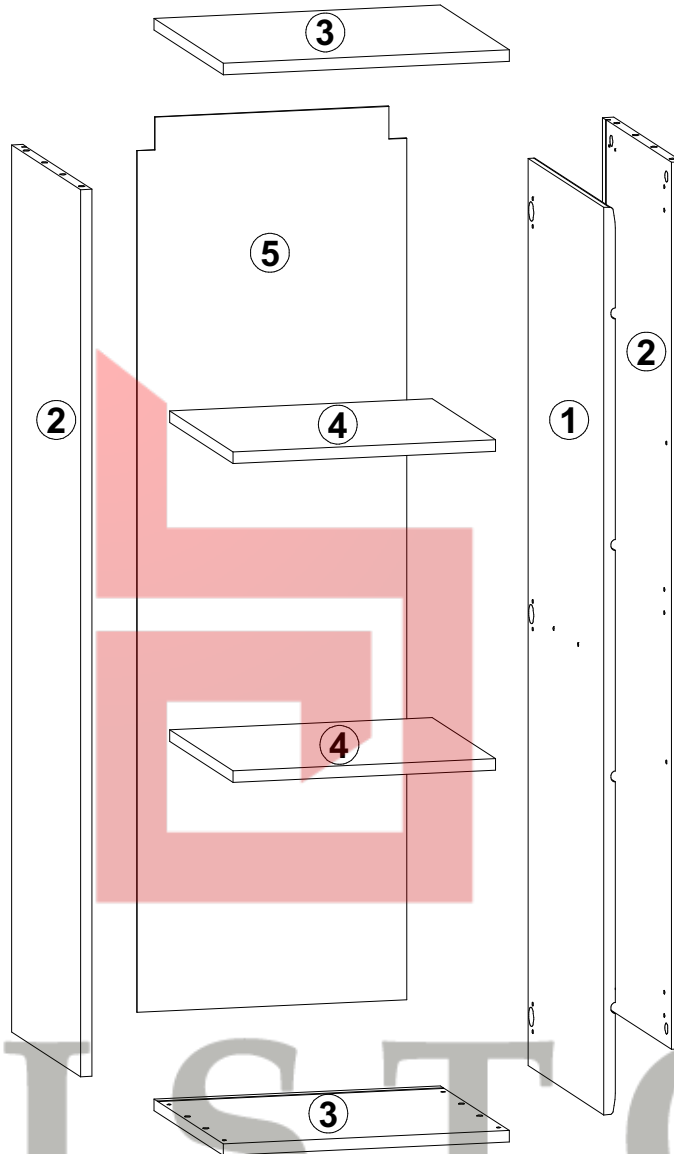
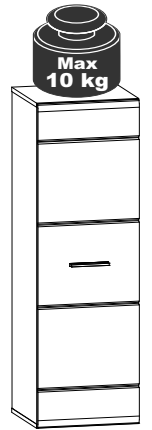
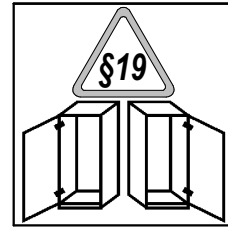


# ВУШЕР

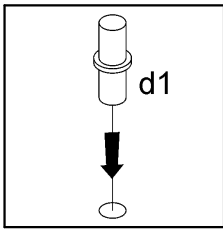
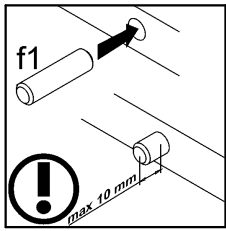
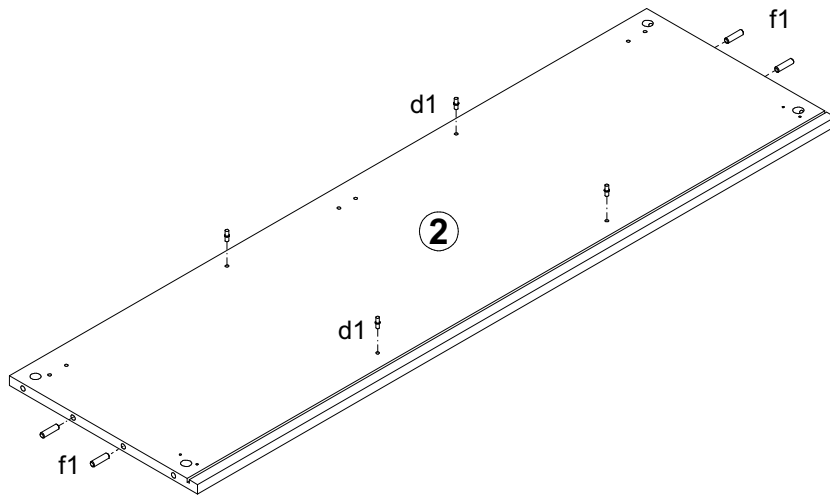
Пенал навісний / Пенал навесной\_SFW 1D

A	B	C		D
1	S154-004	396	1246	1/1
2	S154-105-01	1218	360	1/1
3	S154-201	400	360	1/1
4	S154-303	367	330	1/1
5	S154-904-01	1228	377	1/1

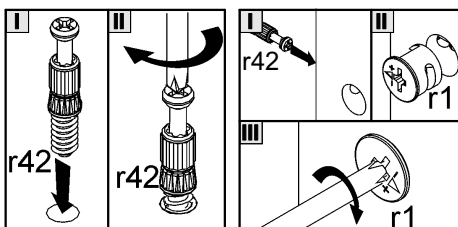
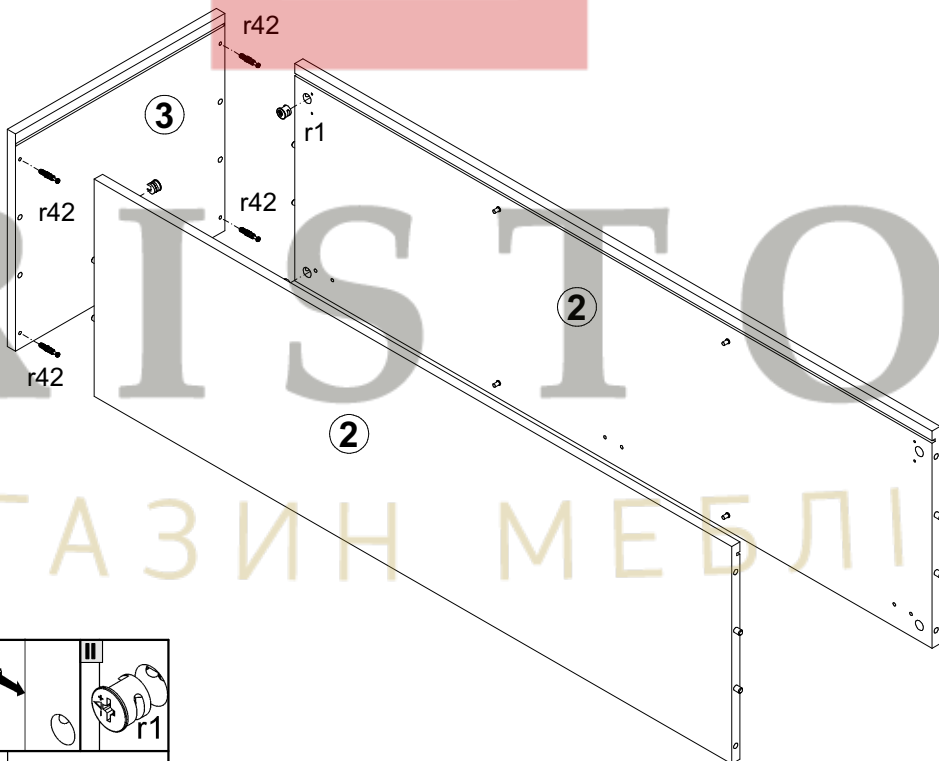


3x  a2	3x  b1	1x  c25313	8x  d1 φ5x17 mm	8x  f1 φ8x30 mm	10x  l2	2x  n1221
2x  silikon o21	4x  φ4x30 mm p21	2x  φ4x30 mm p9	8x  φ1.5x12mm #16 r1	8x  r42	6x  s4	6x  s2 ø16

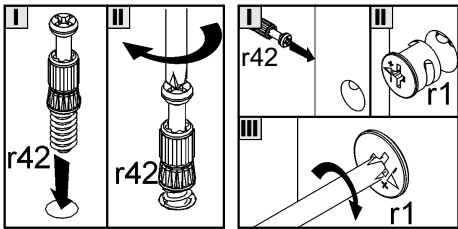
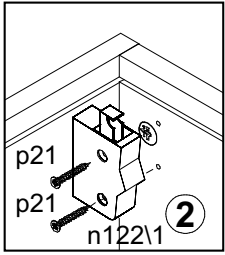
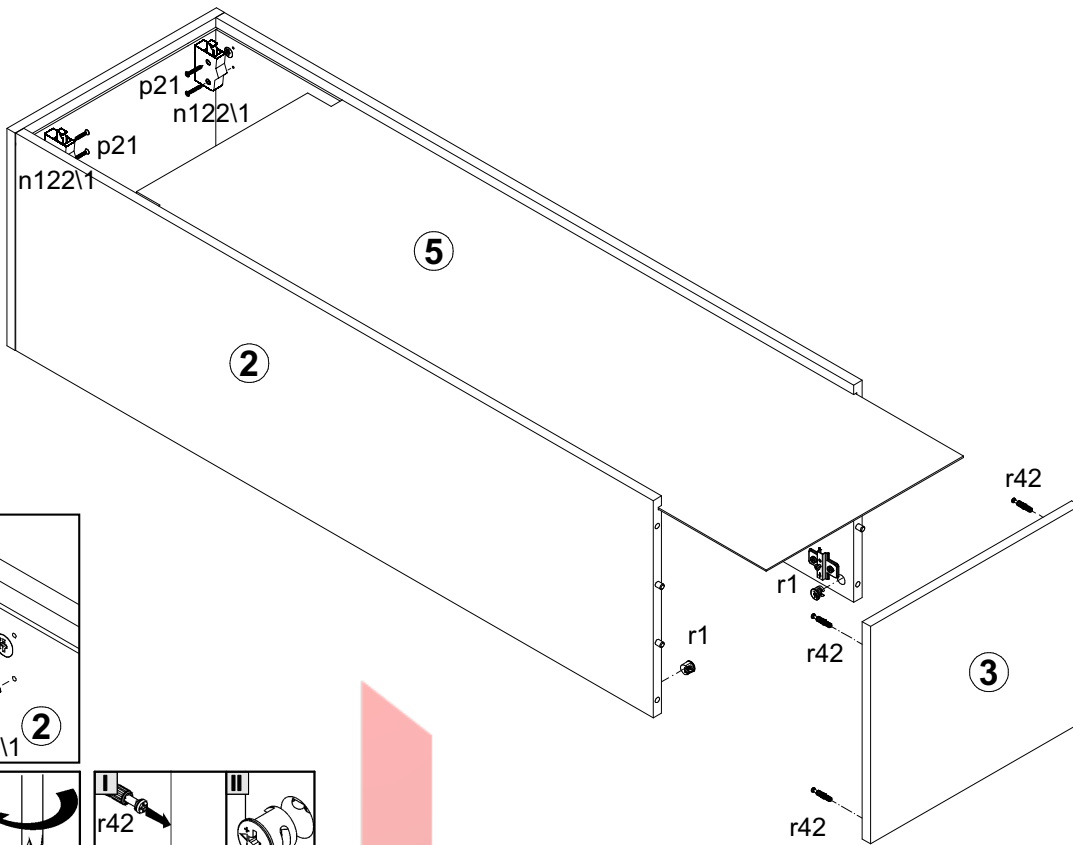
1



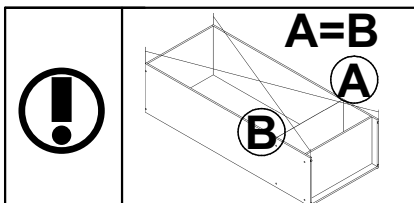
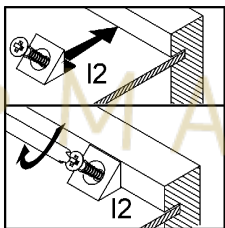
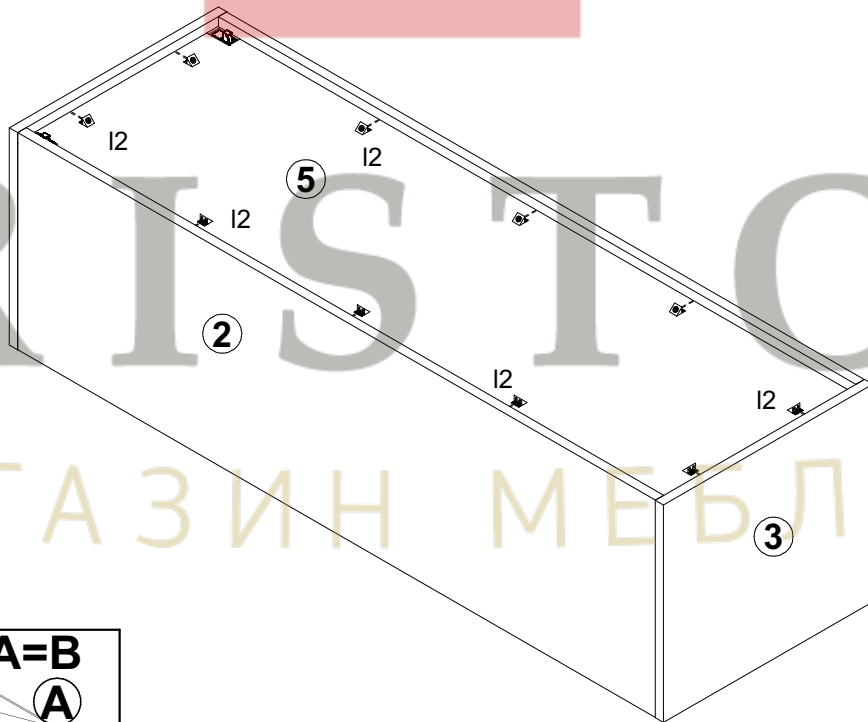
2

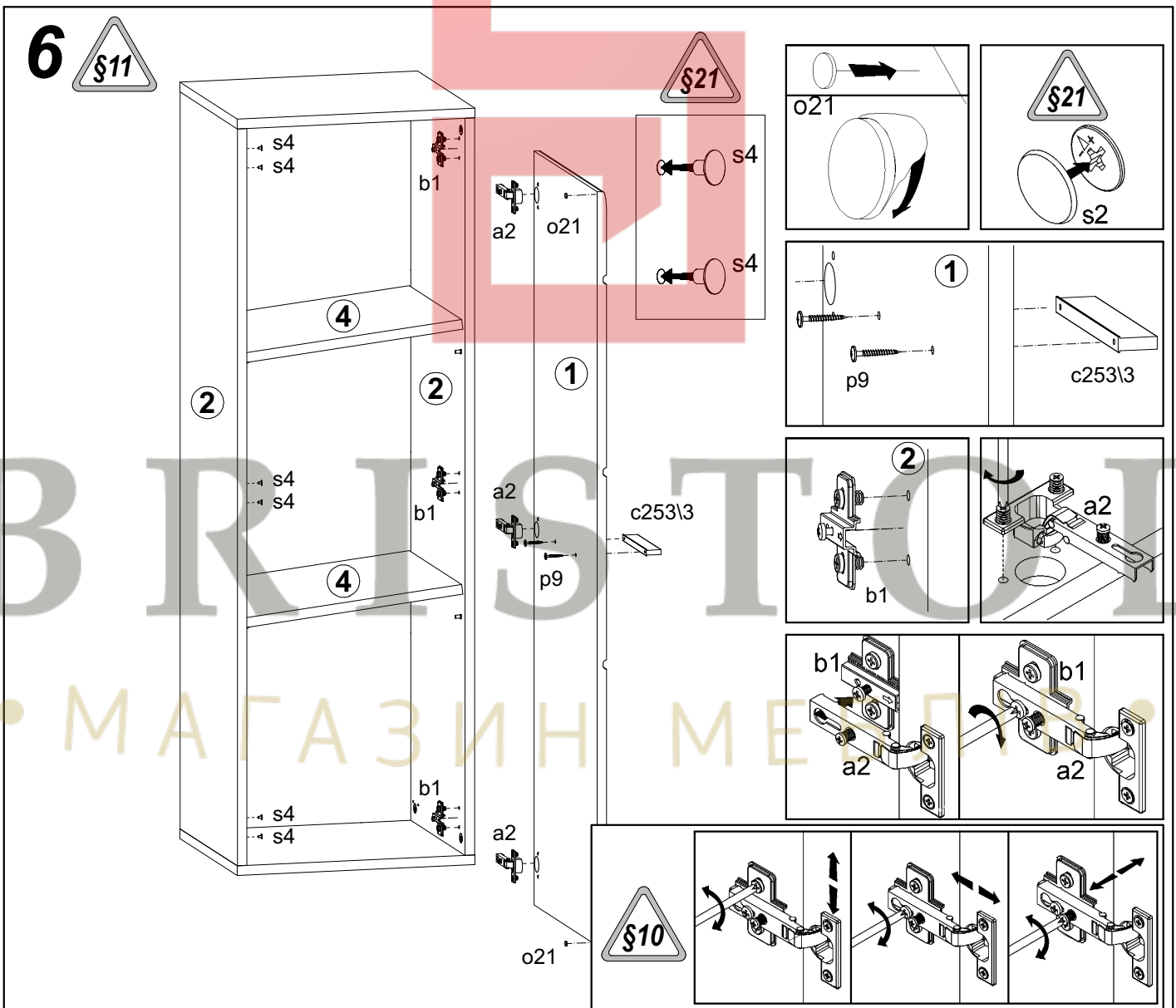
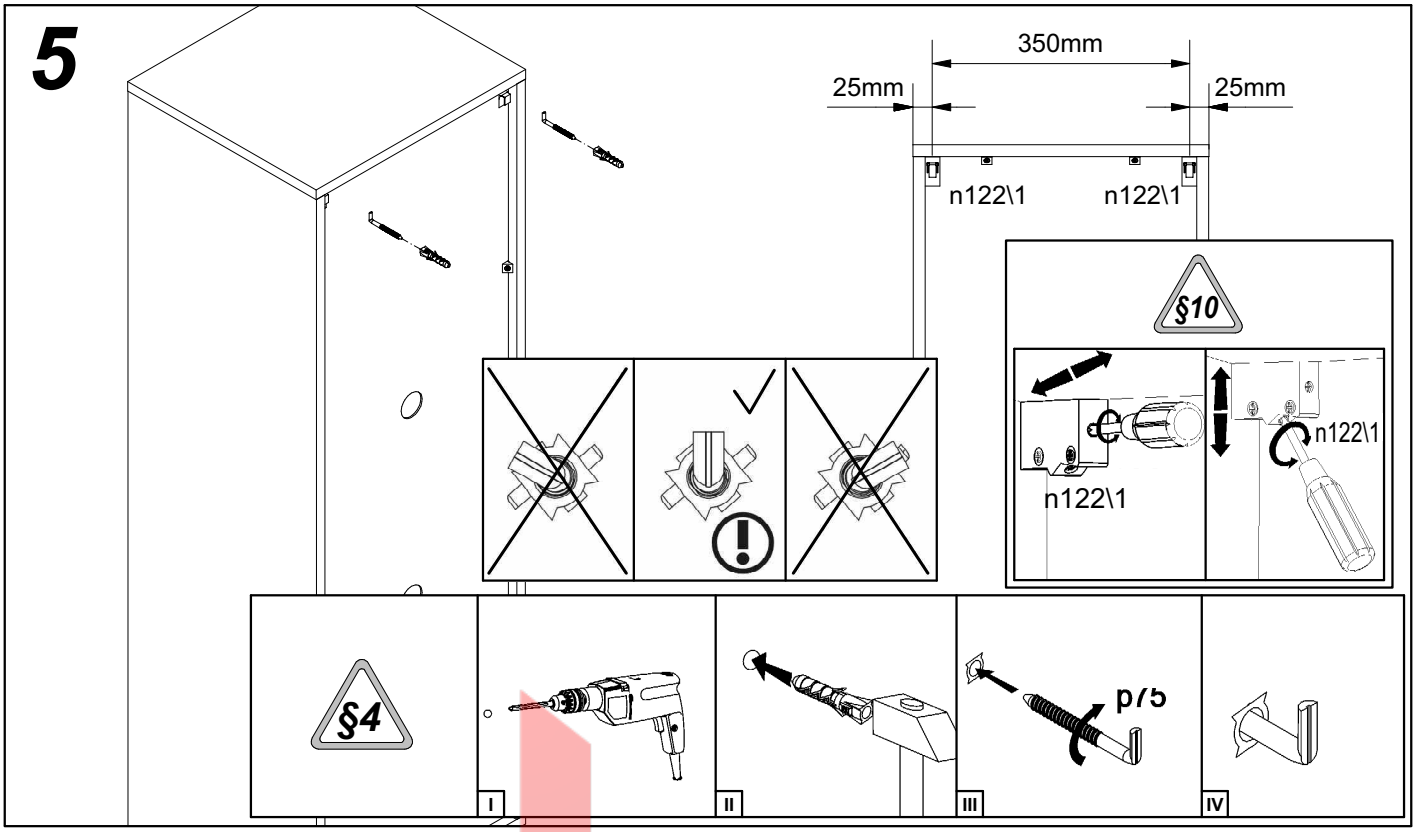


# 3



# 4

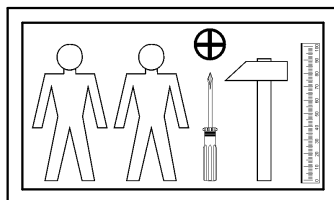
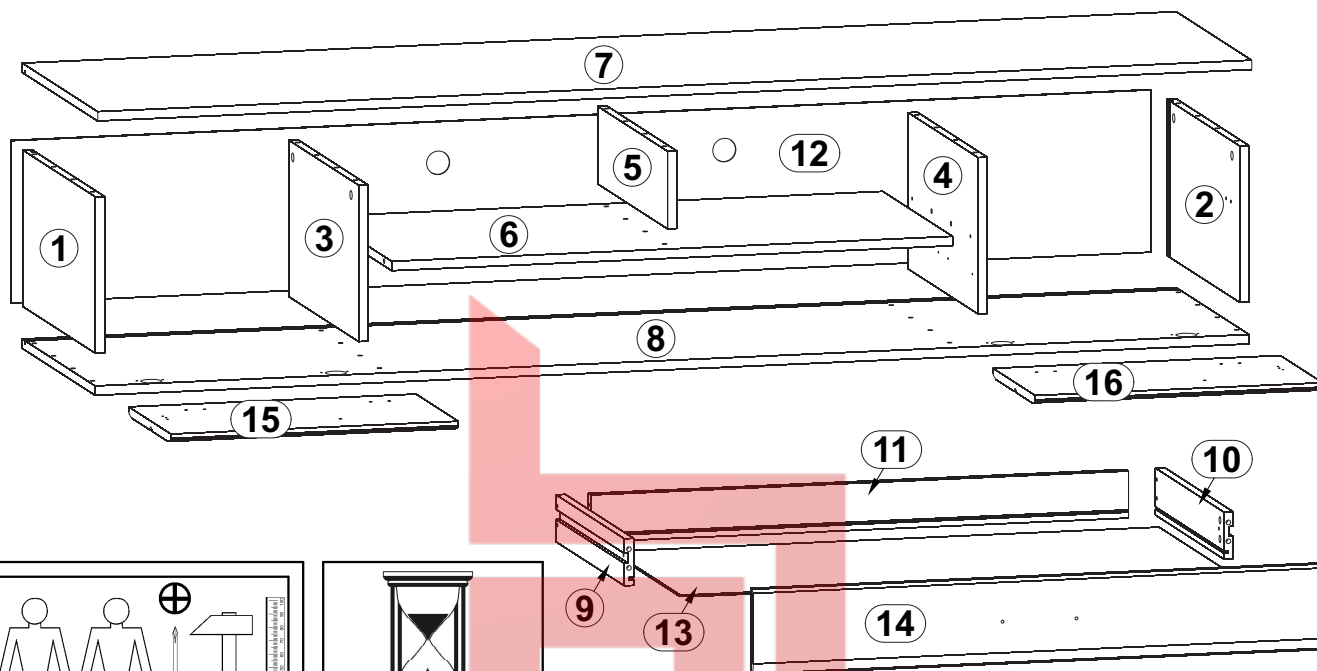
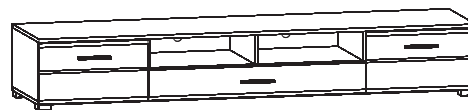




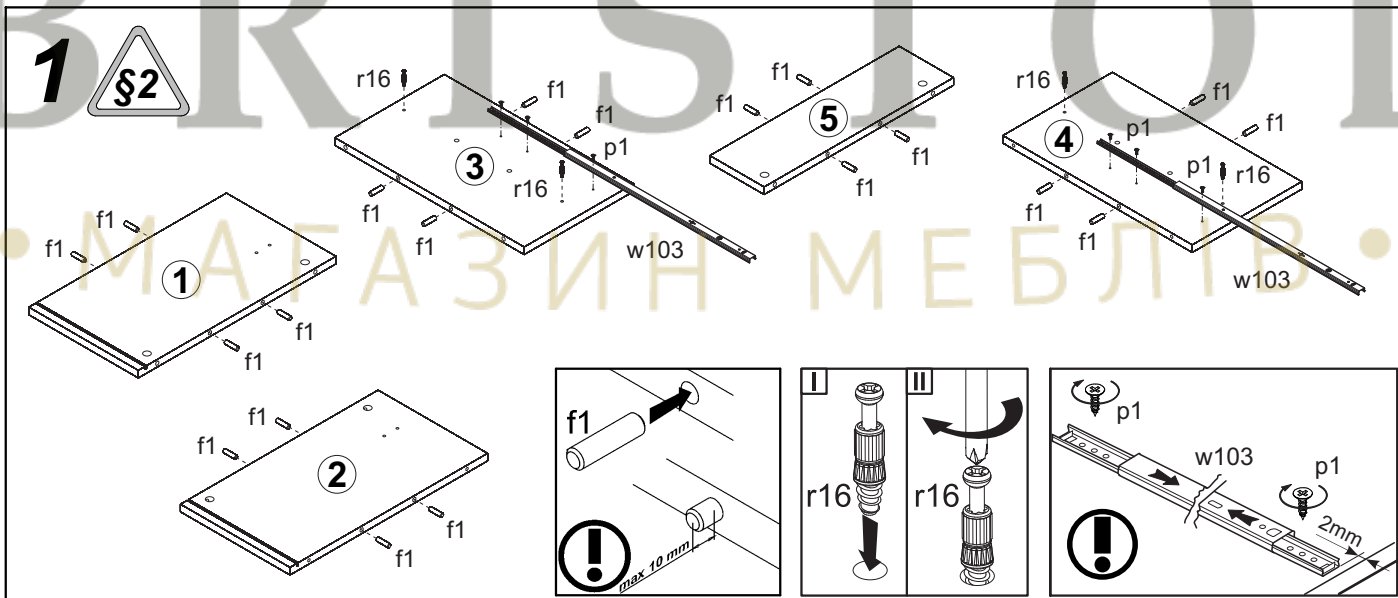
# ВУШЕР

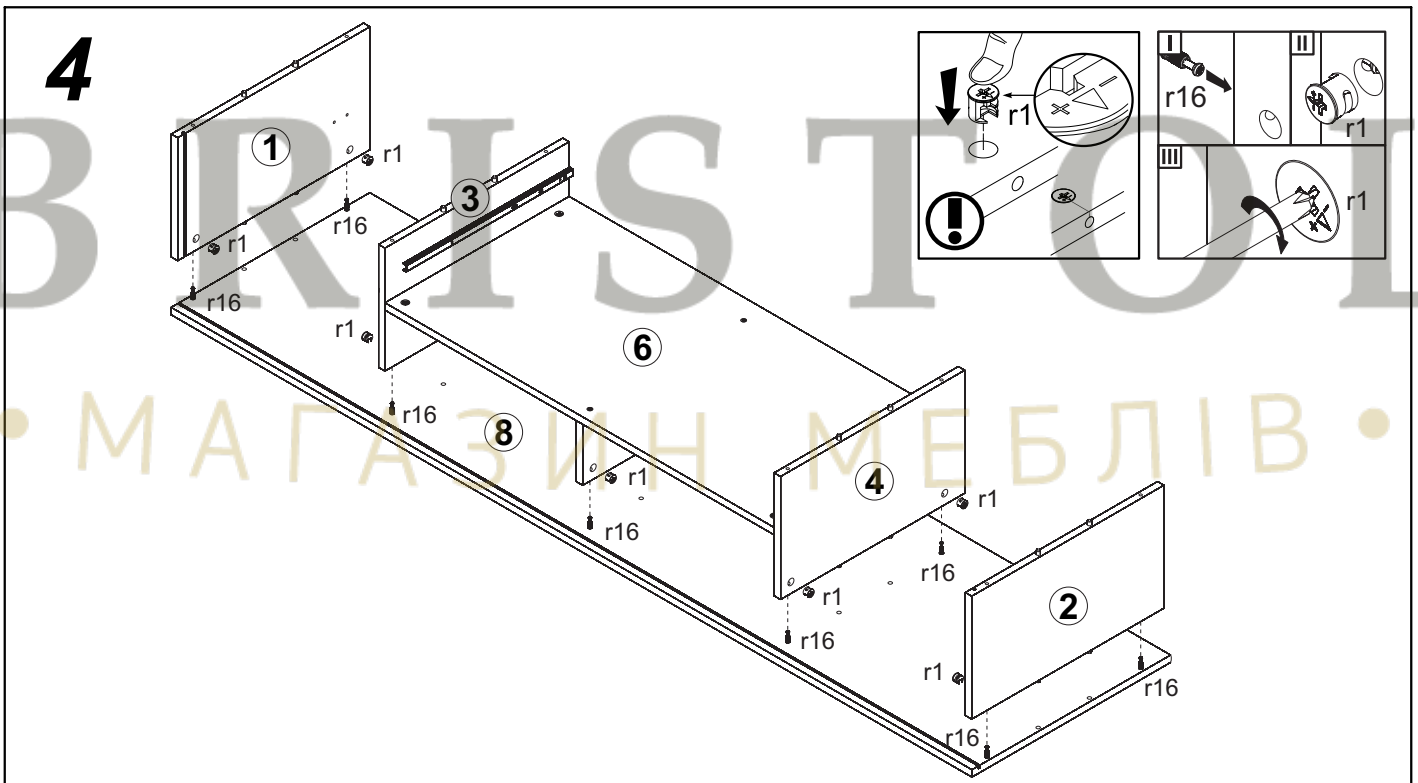
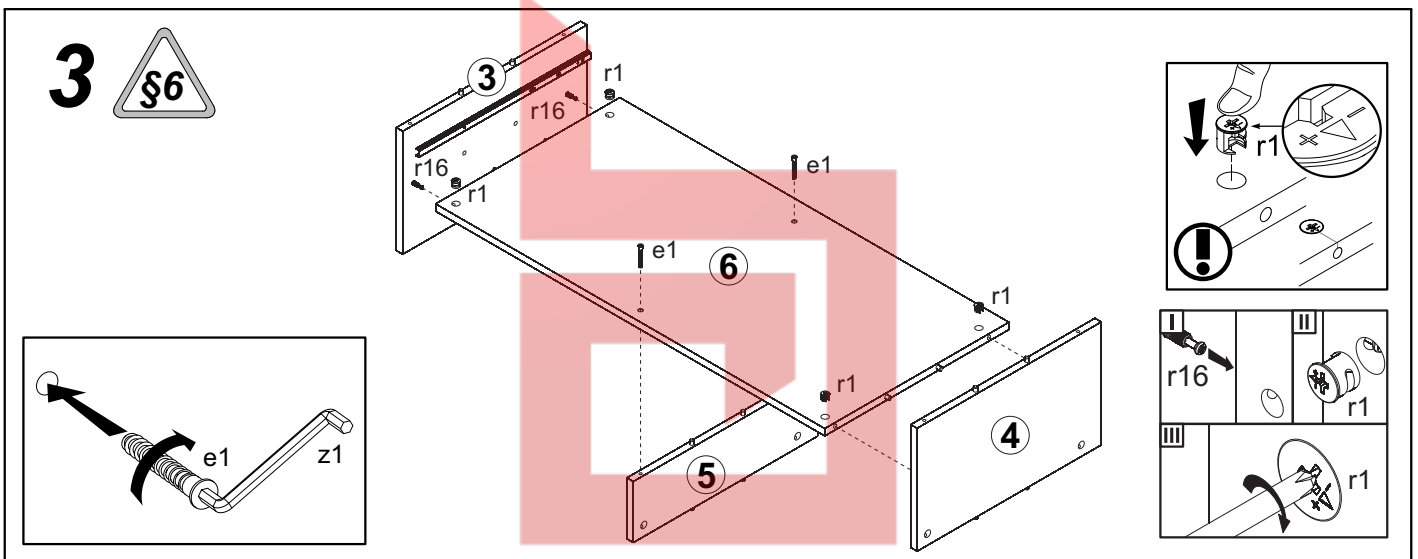
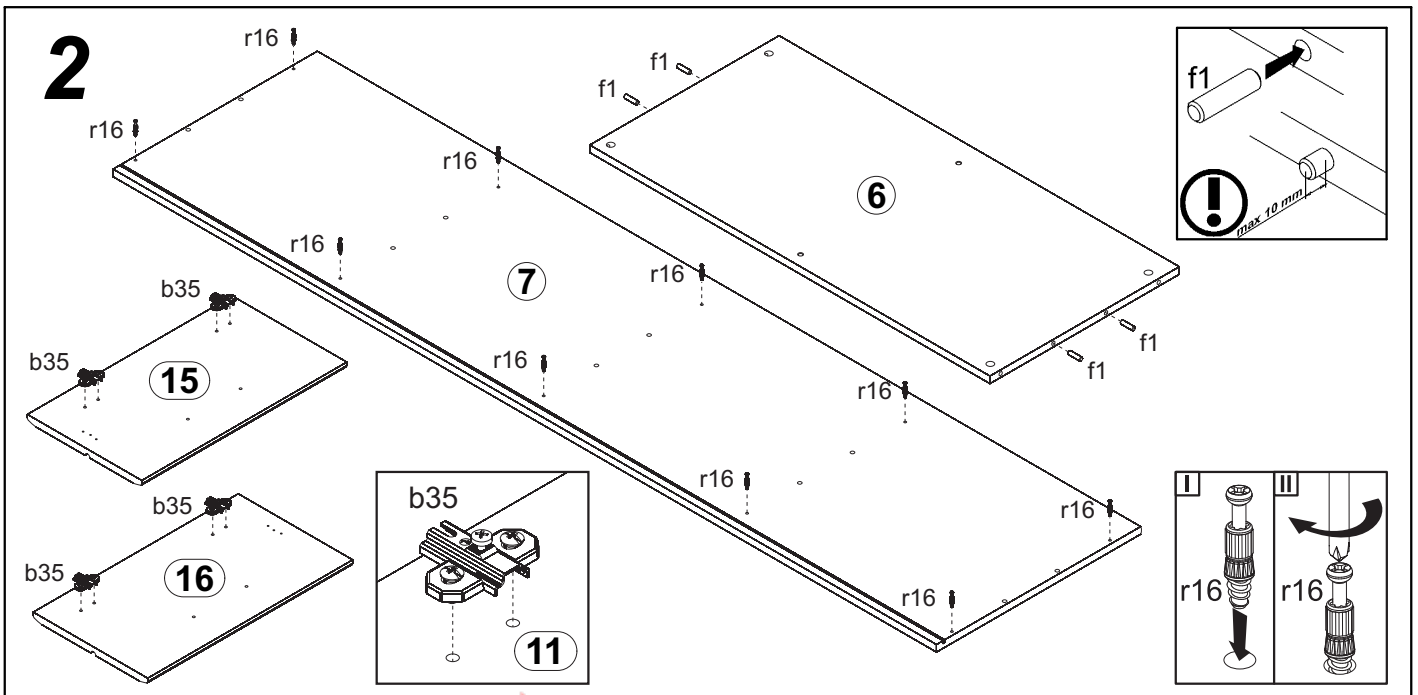
Тумба\_RTV2D1S

A	B	C	D	A	B	C	D		
1	S154-120	266	480	2/2	9	S154-501	450	80	2/2
2	S154-123	266	480	2/2	10	S154-502	450	80	2/2
3	S154-122	266	460	2/2	11	S154-520	932	80	2/2
4	S154-124	266	460	2/2	12	S154-920	1976	276	1/2
5	S154-125	132	460	2/2	13	S154-923	947	448	2/2
6	S154-312	972	460	2/2	14	S154-025	992	146	1/2
7	S154-218	2000	498	1/2	15	S154-026	498	278	1/2
8	S154-217	2000	480	1/2	16	S154-027	498	278	1/2

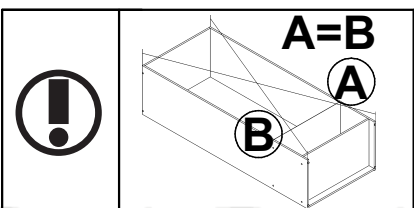
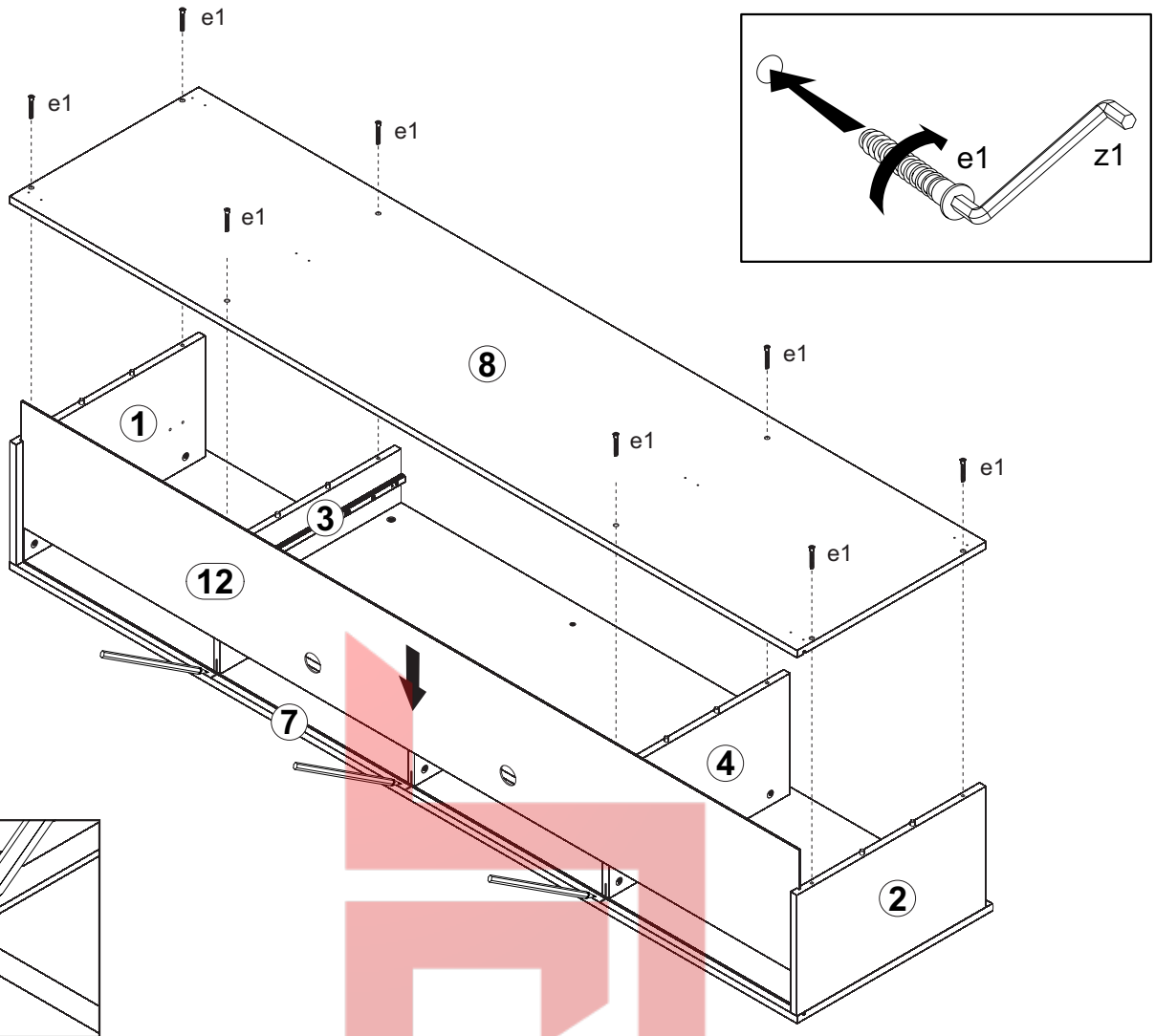


4x K16 a43	4x D3 b35	3x c253 <sup>3</sup>	10x φ7x50 mm e1	4x φ6,3x13 mm e5	4x φ5x50 mm e32	24x φ8x30 mm f1	2x M4x12 mm j3	6x k55
18x l1	18x l2	2x L-236 m3	12x φ3,5x13 mm p1	12x φ4x35 mm p6	6x φ4x30 mm p9	2x φ3,5x16 mm p25	8x φ3,5x15 mm p51	14x φ15x12mm #16 r1
4x φ12x10,5mm #12 r15	18x 20/9 r16	10x φ16 s2	1x 433 mm t37	2x 450 mm w103	1x z1			

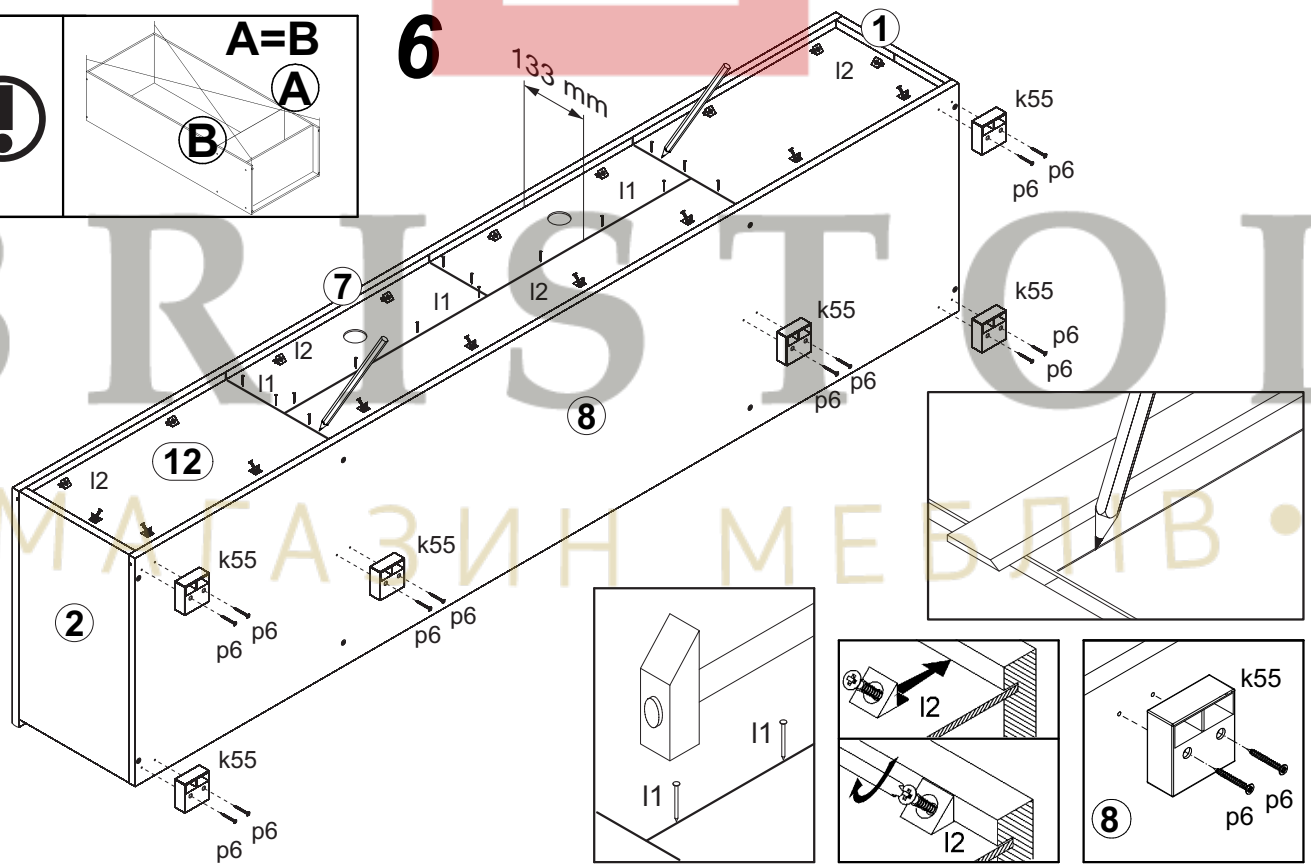




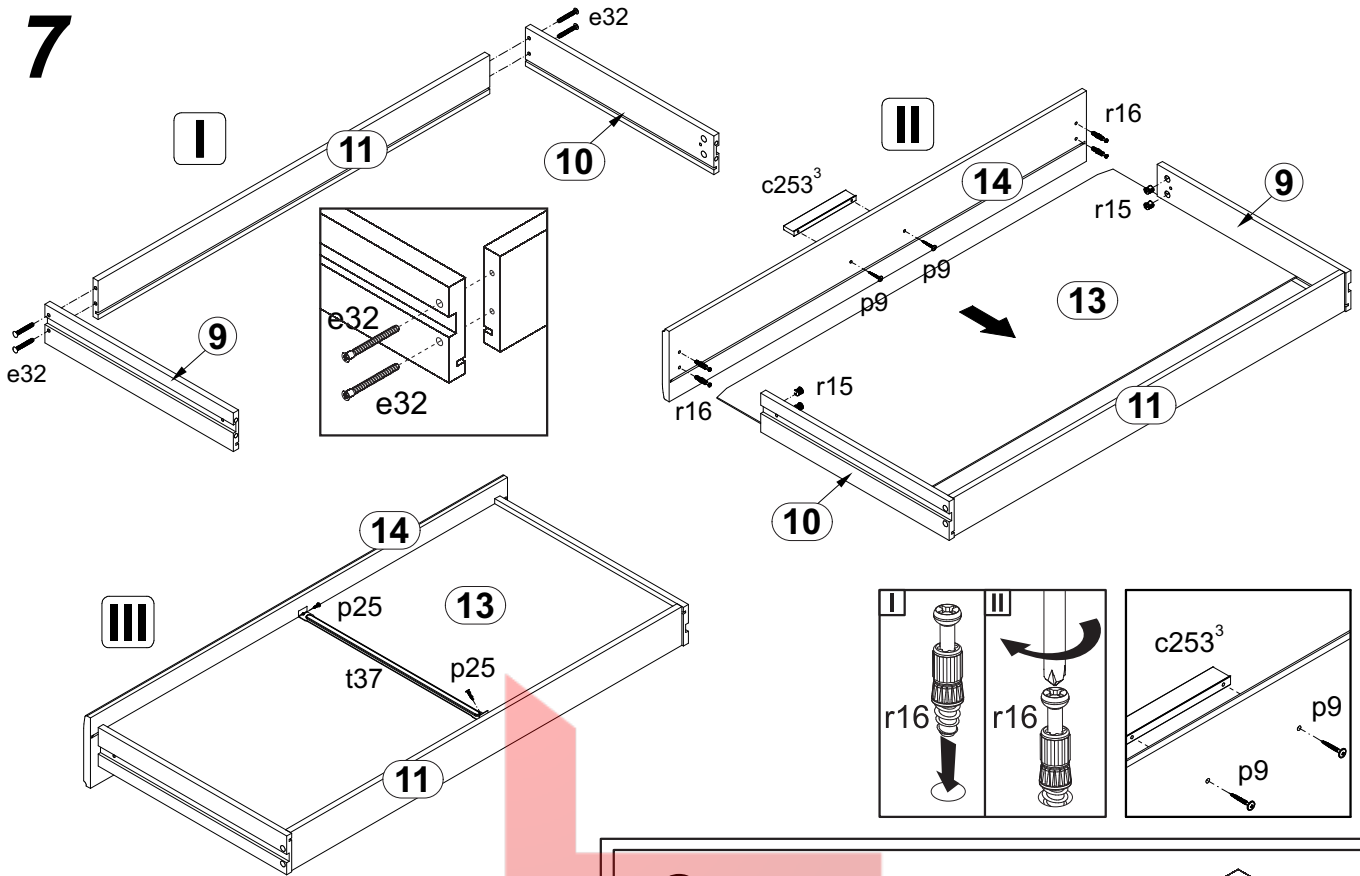
# 5



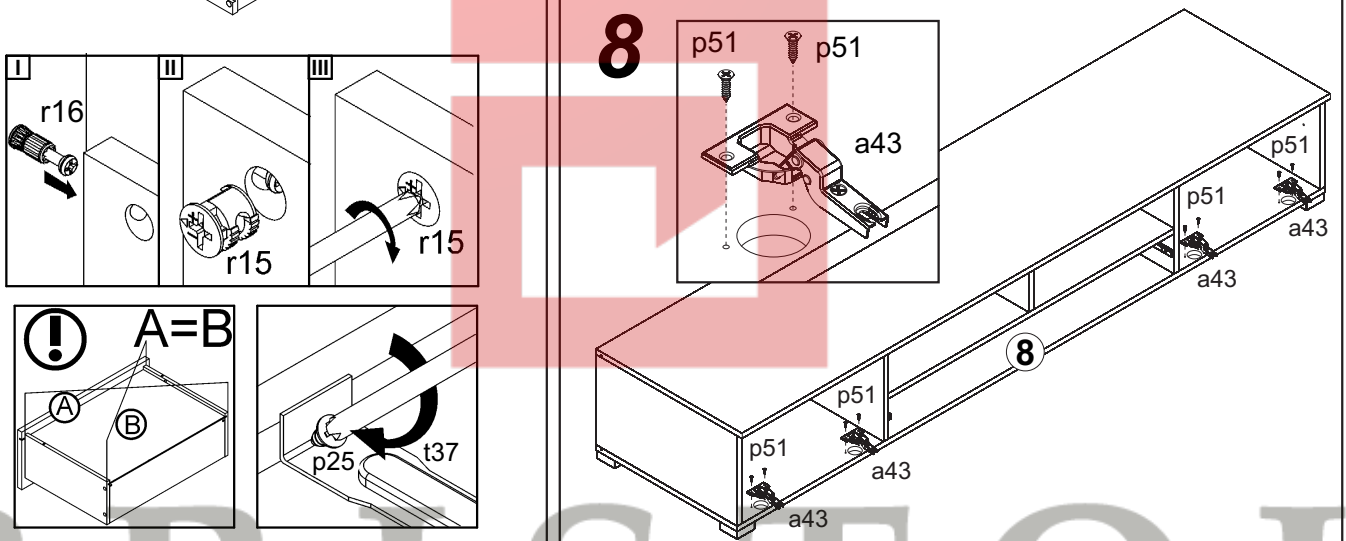
# 6



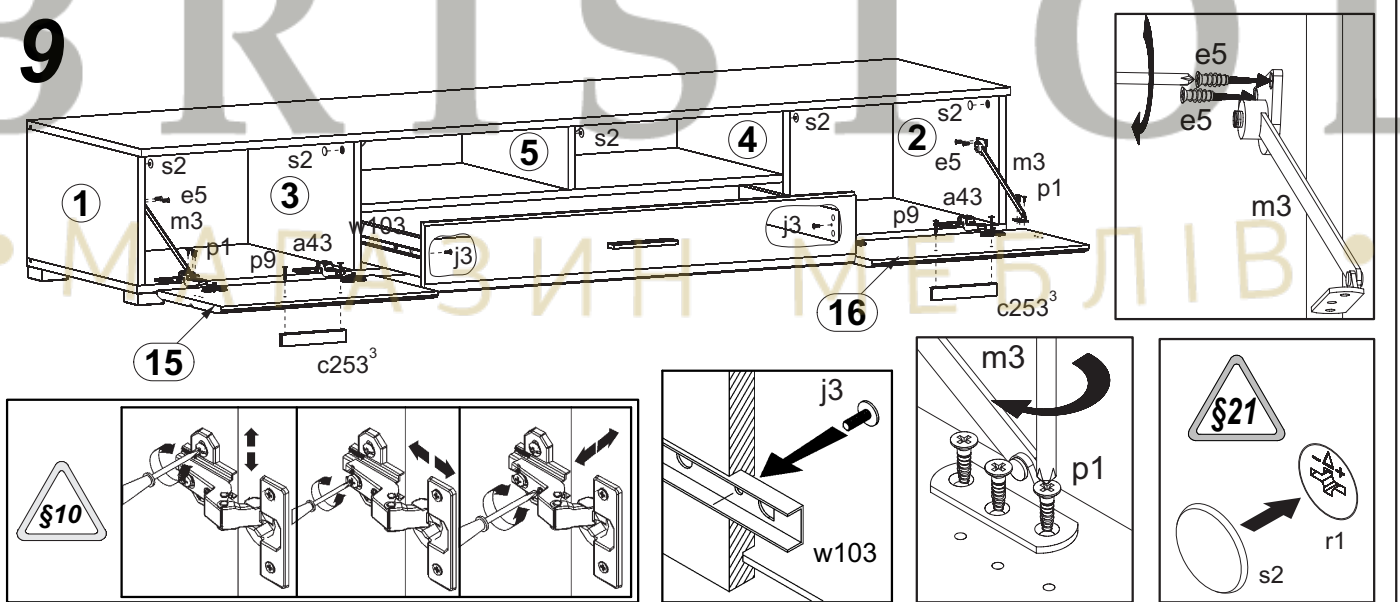
# 7



# 8



# 9

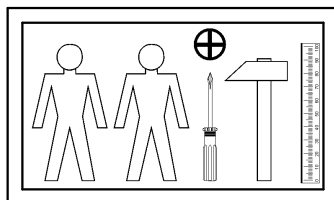
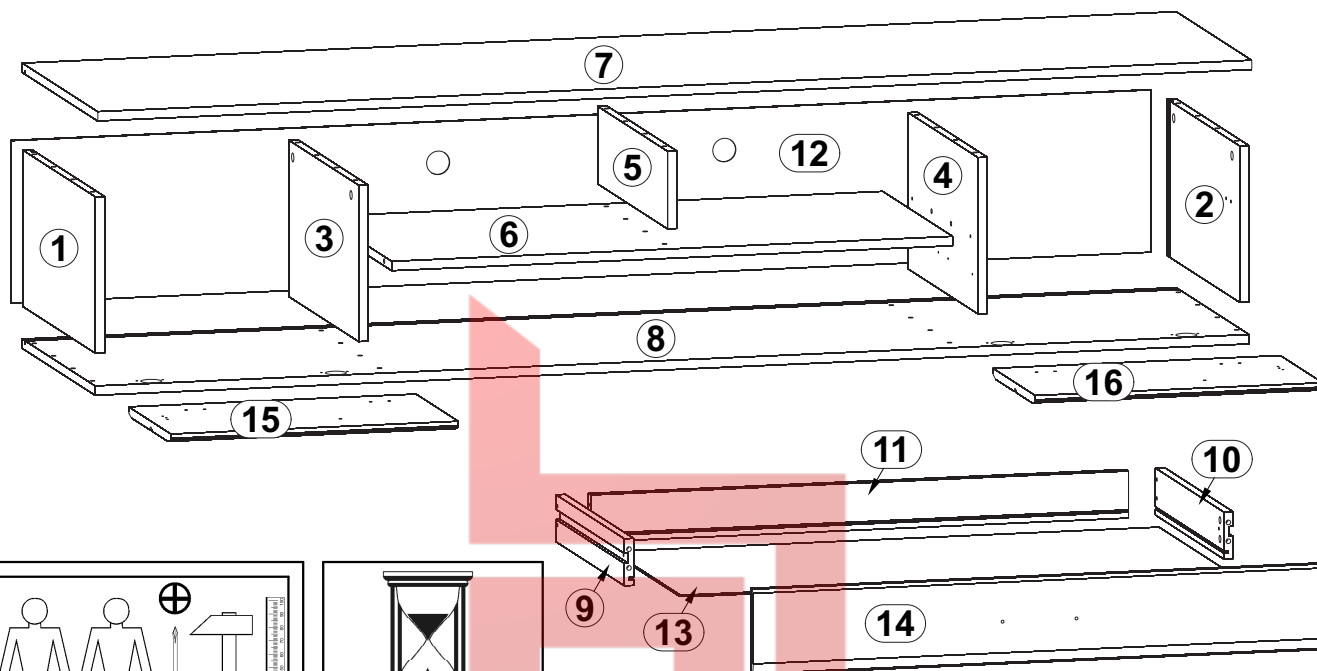
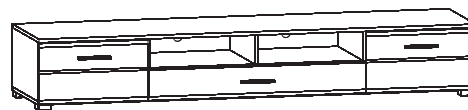




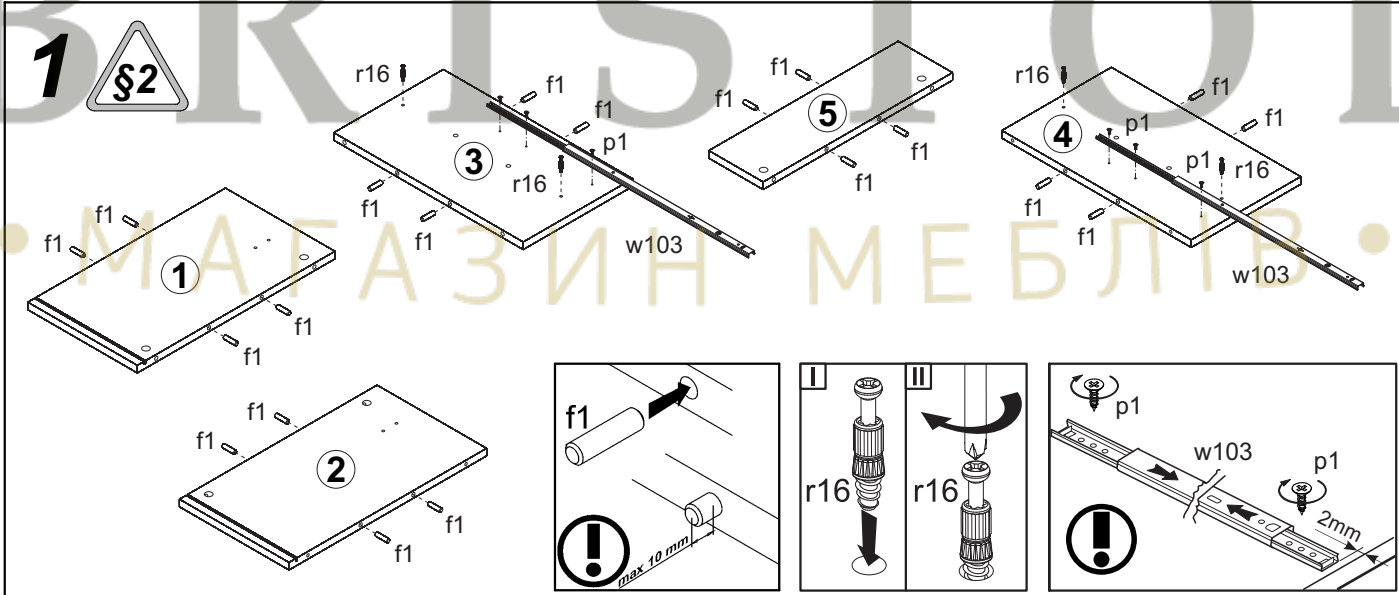
# ВУШЕР

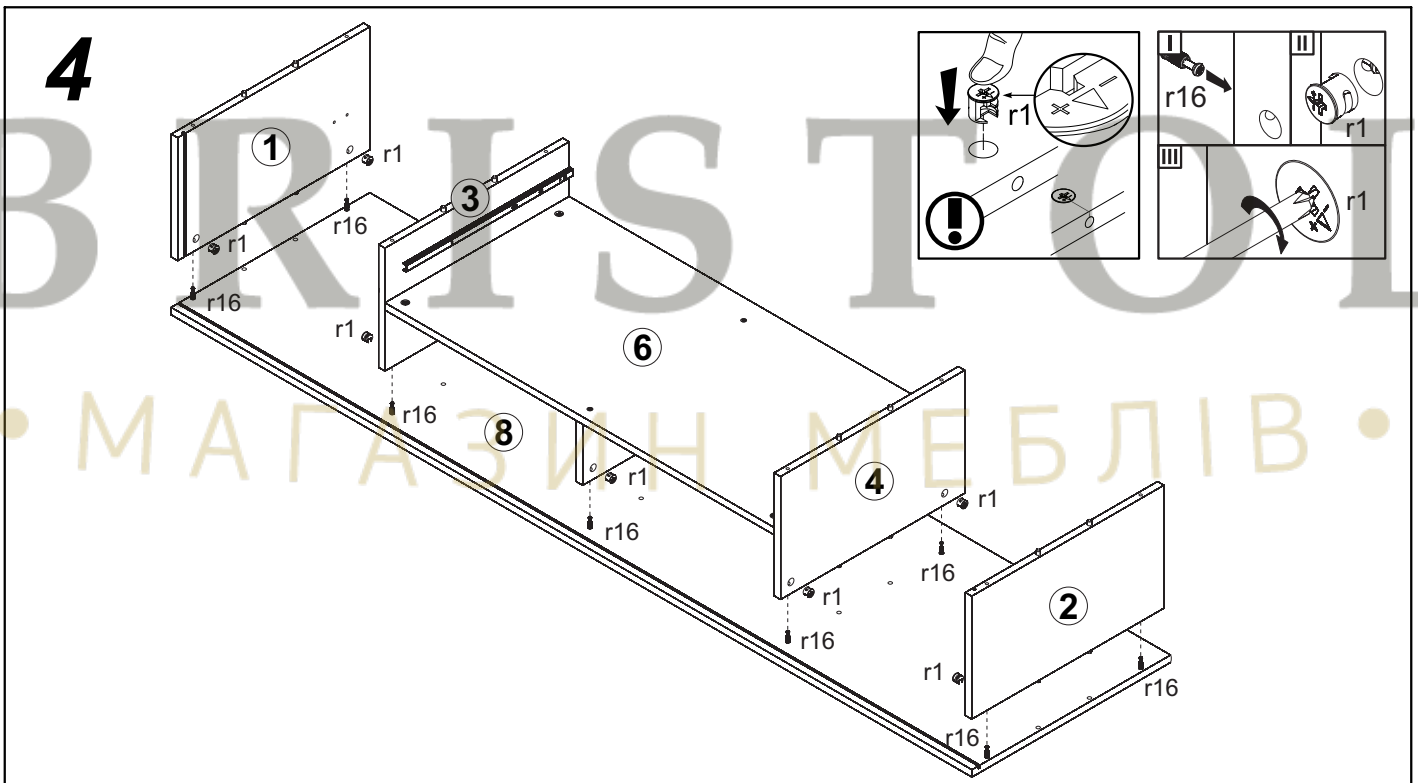
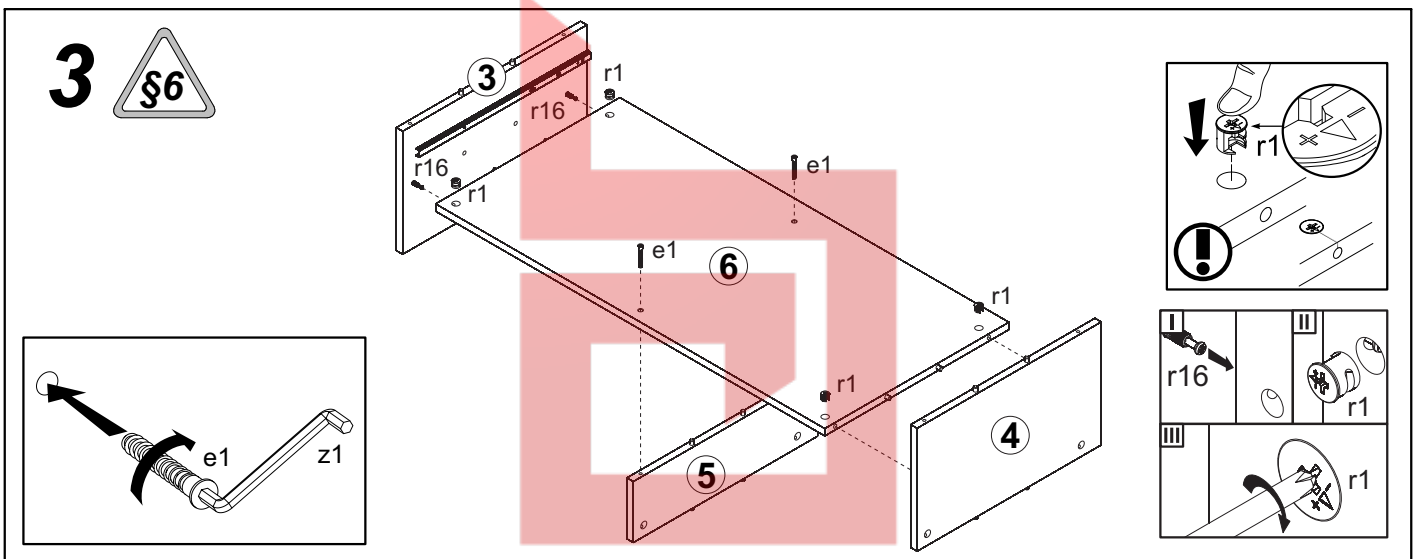
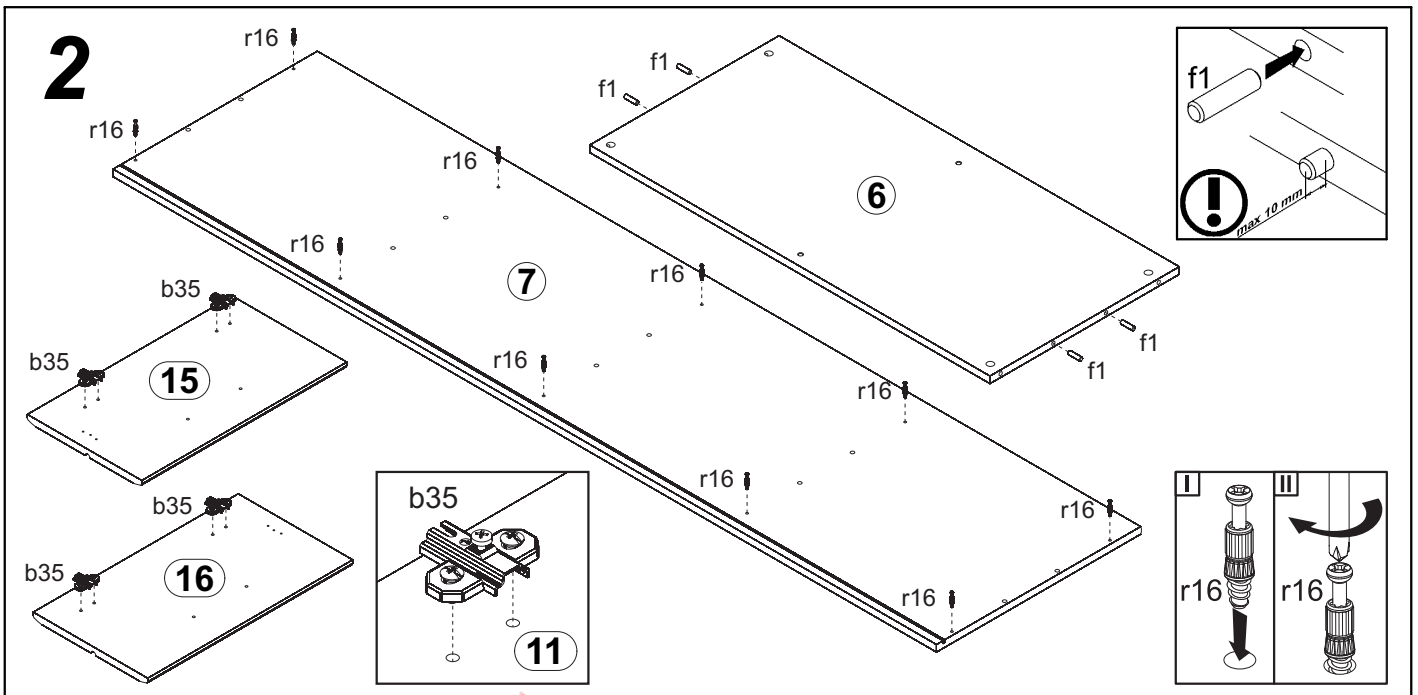
Тумба\_RTV2D1S

A	B	C	D	A	B	C	D		
1	S154-120	266	480	2/2	9	S154-501	450	80	2/2
2	S154-123	266	480	2/2	10	S154-502	450	80	2/2
3	S154-122	266	460	2/2	11	S154-520	932	80	2/2
4	S154-124	266	460	2/2	12	S154-920	1976	276	1/2
5	S154-125	132	460	2/2	13	S154-923	947	448	2/2
6	S154-312	972	460	2/2	14	S154-025	992	146	1/2
7	S154-218	2000	498	1/2	15	S154-026	498	278	1/2
8	S154-217	2000	480	1/2	16	S154-027	498	278	1/2

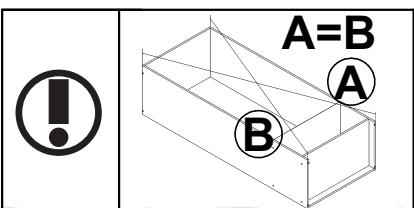
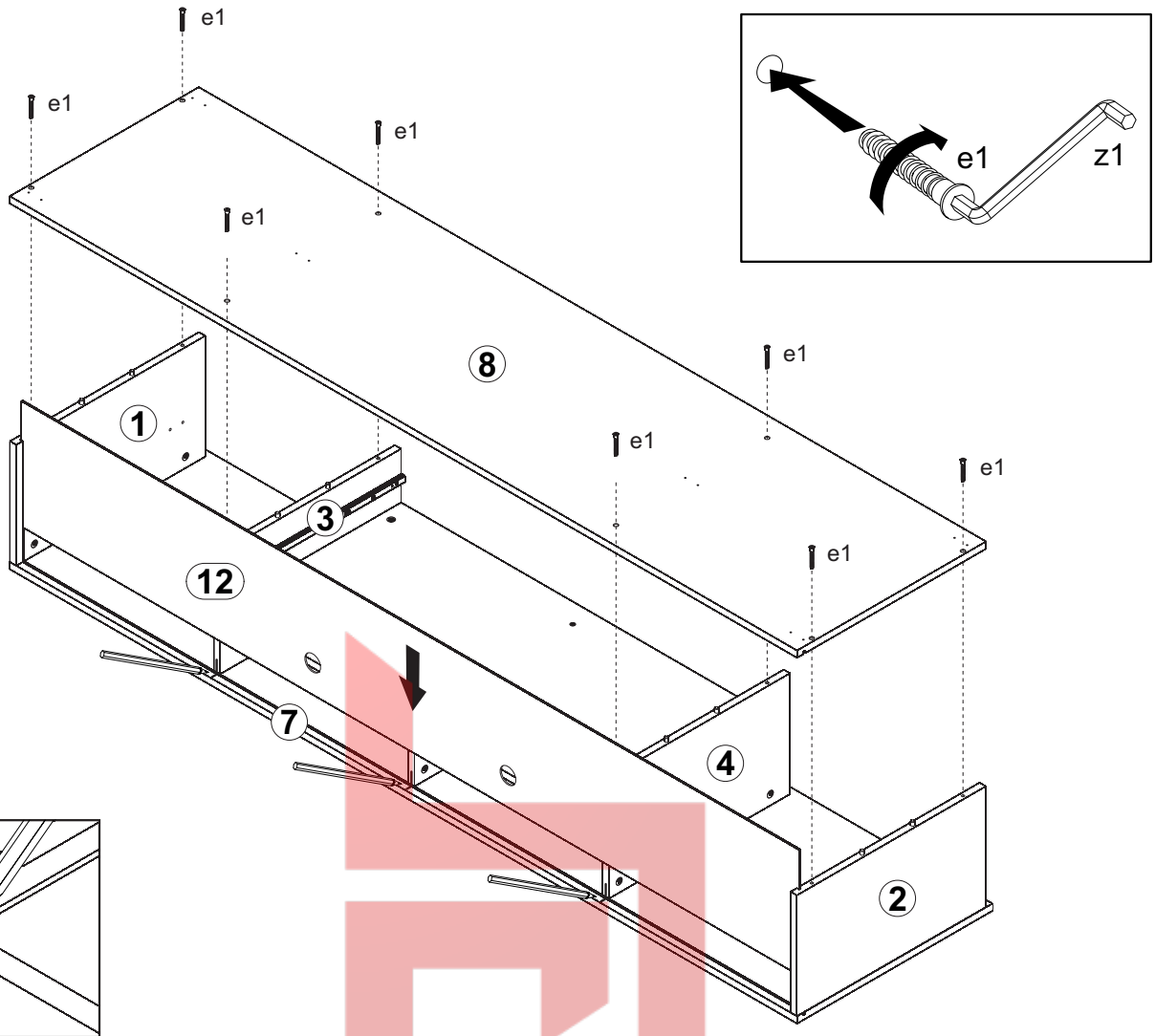


4x K16 a43	4x D3 b35	3x c253 <sup>3</sup>	10x φ7x50 mm e1	4x φ6,3x13 mm e5	4x φ5x50 mm e32	24x φ8x30 mm f1	2x M4x12 mm j3	6x k55
18x l1	18x l2	2x L-236 m3	12x φ3,5x13 mm p1	12x φ4x35 mm p6	6x φ4x30 mm p9	2x φ3,5x16 mm p25	8x φ3,5x15 mm p51	14x φ15x12mm #16 r1
4x φ12x10,5mm #12 r15	18x 20/9 r16	10x φ16 s2	1x 433 mm t37	2x 450 mm w103	1x z1			

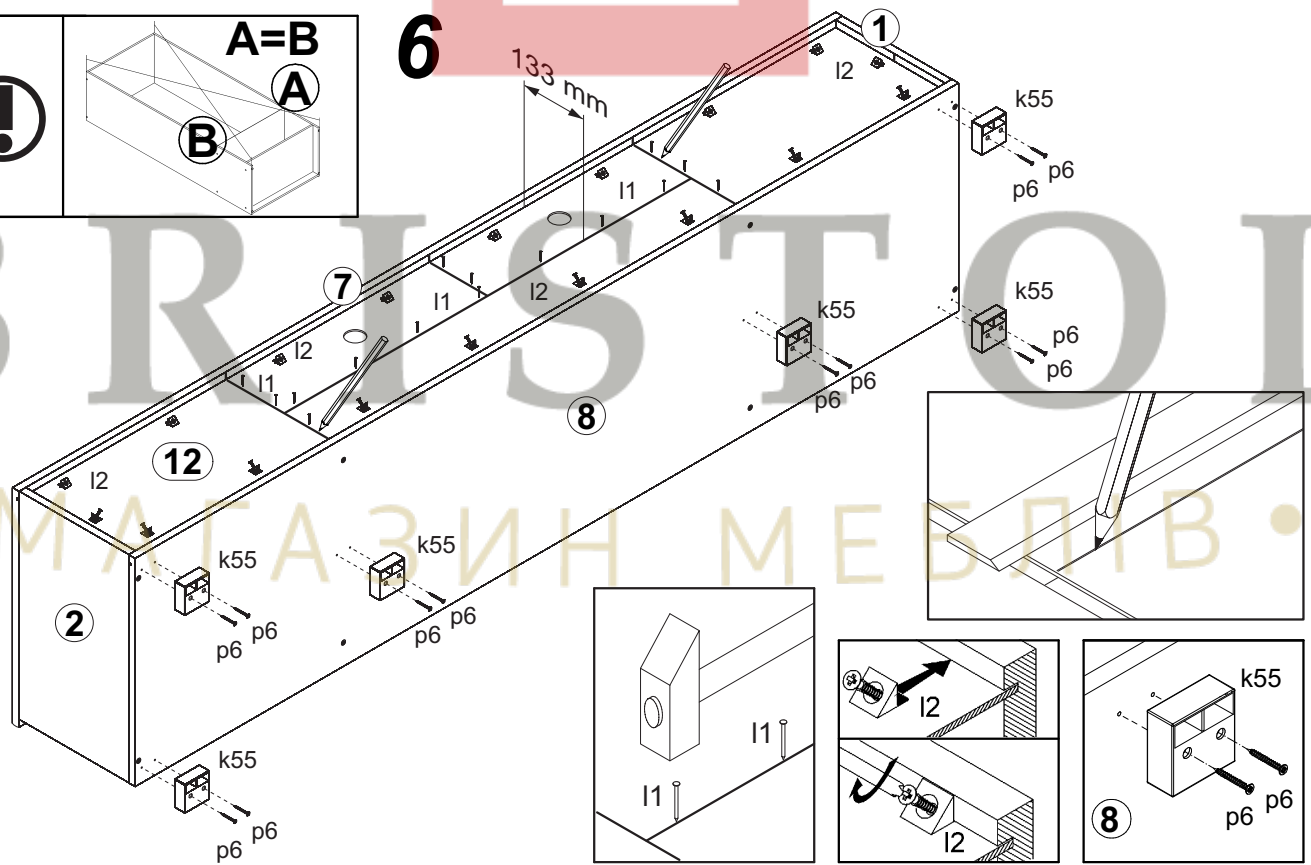




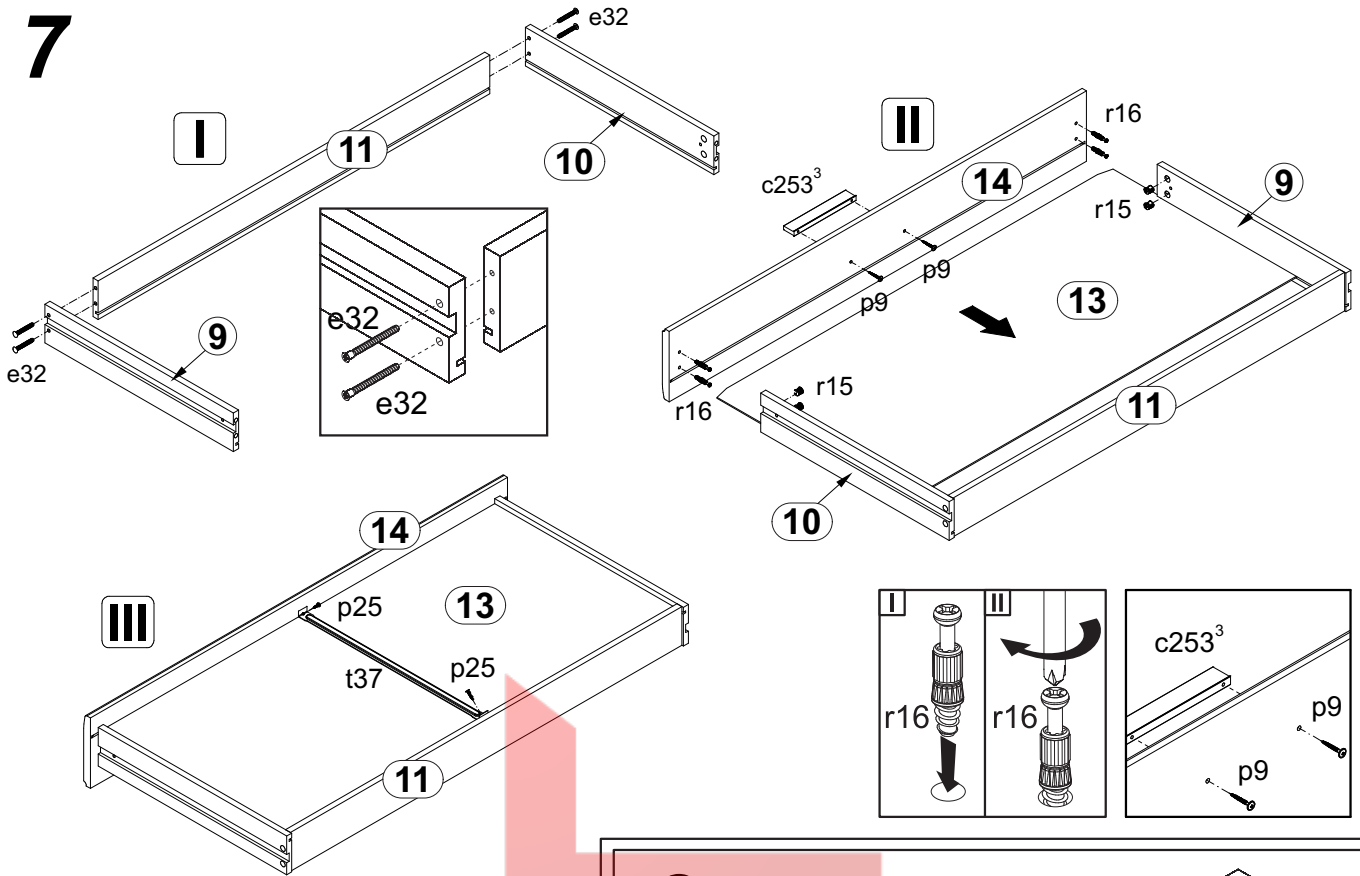
# 5



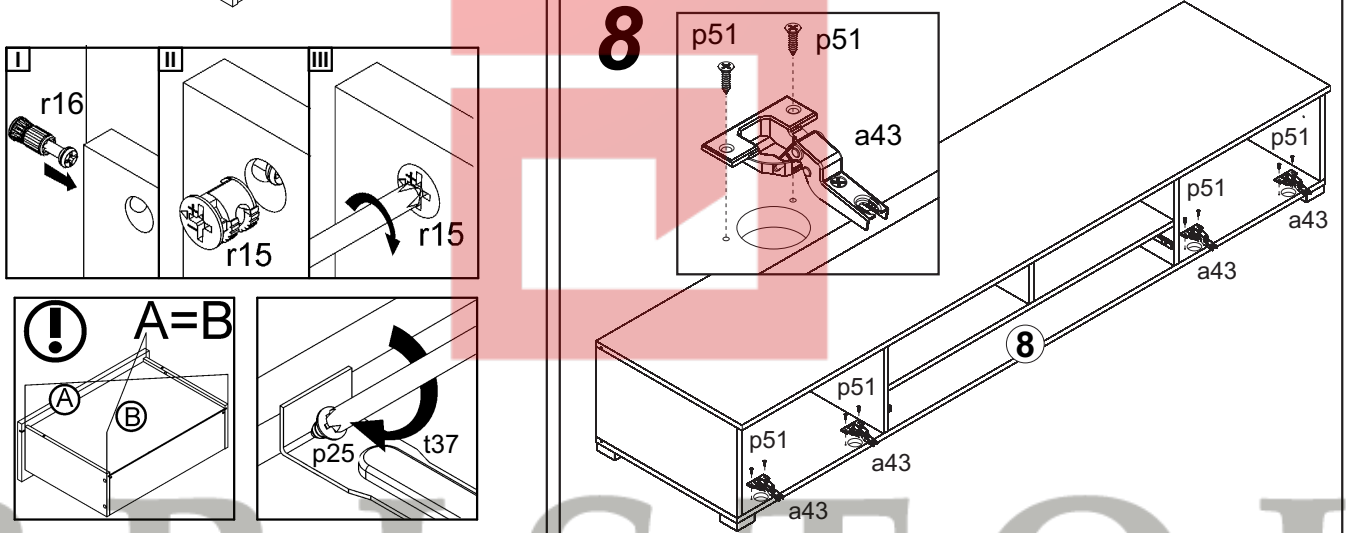
# 6



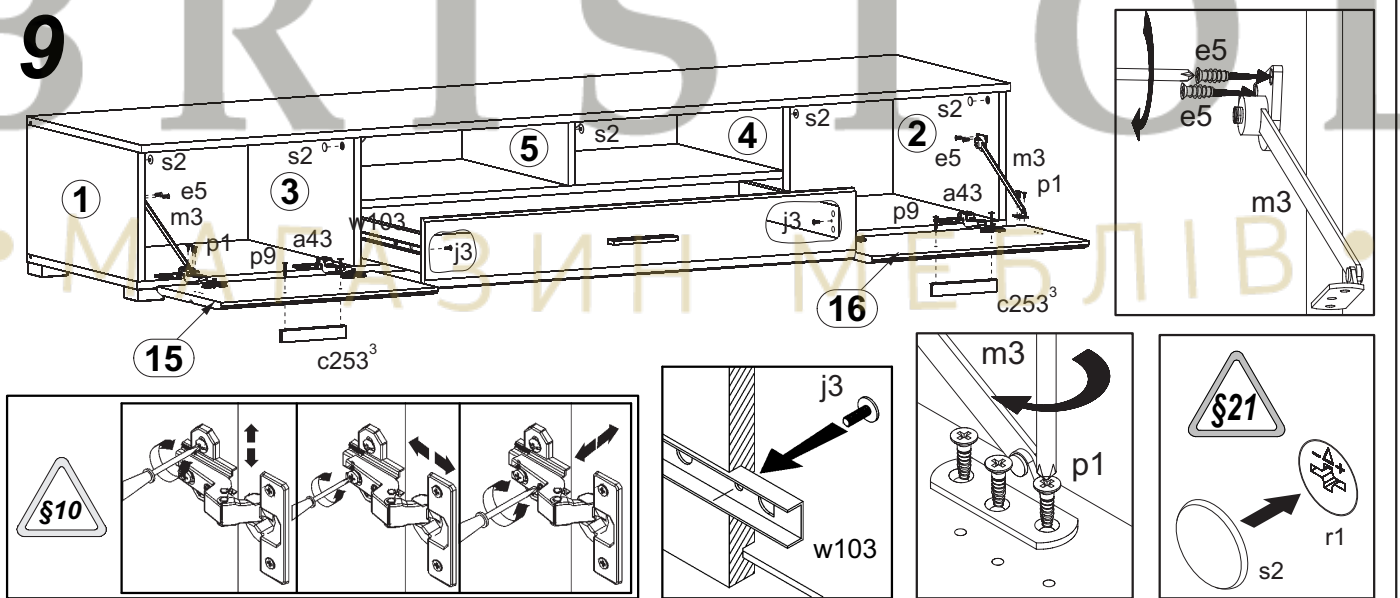
# 7



# 8



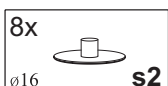
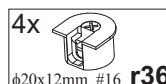
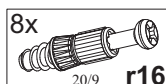
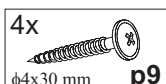
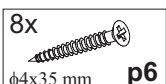
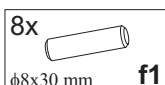
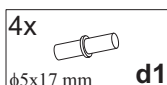
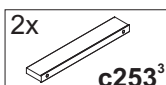
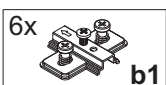
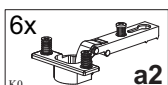
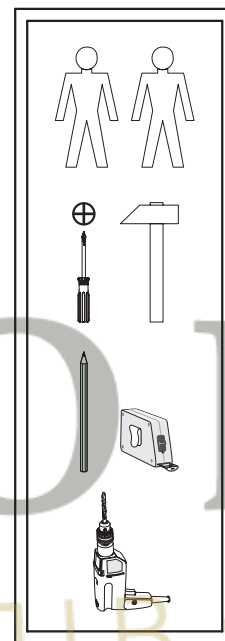
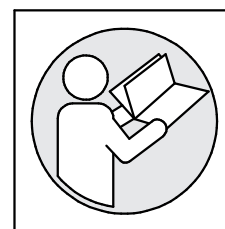
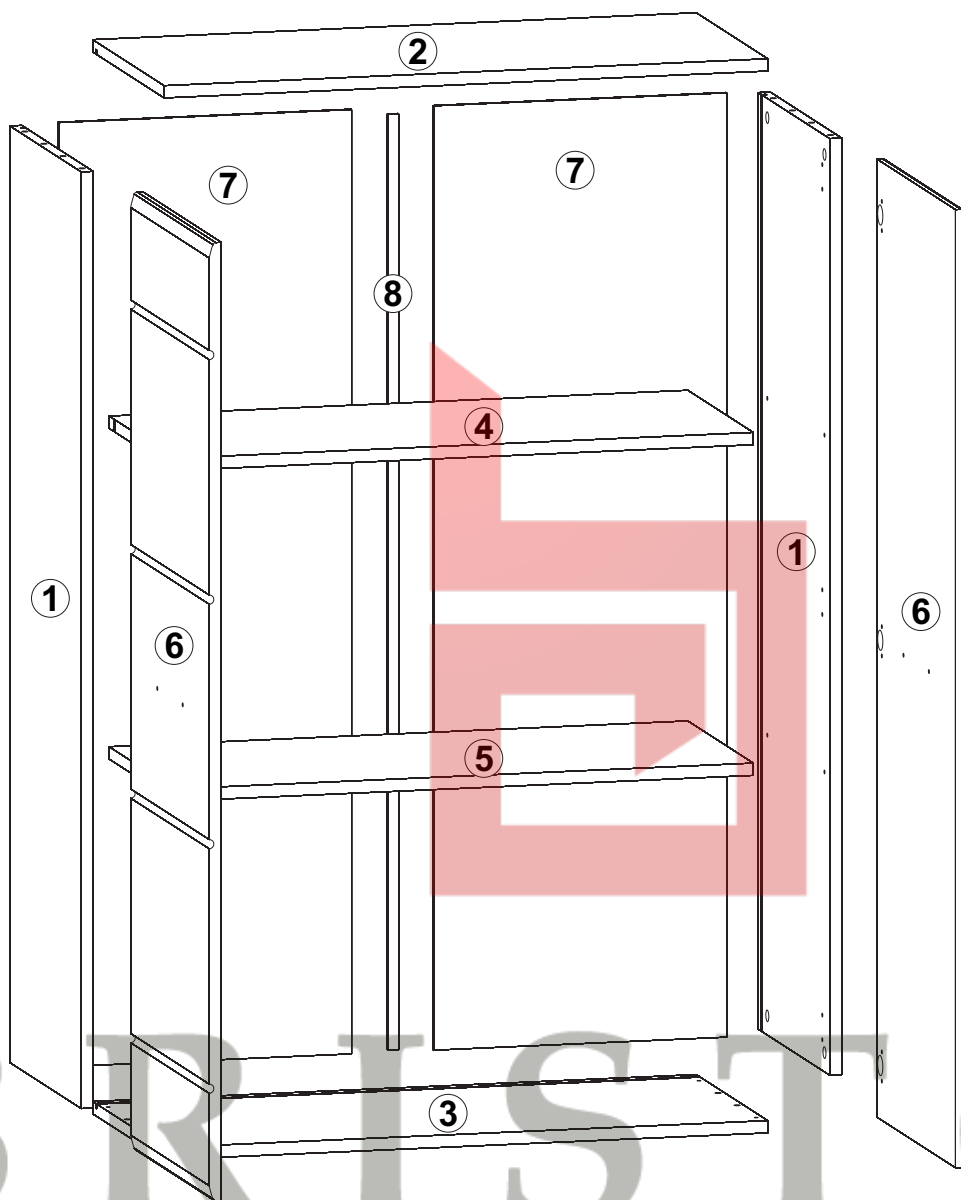
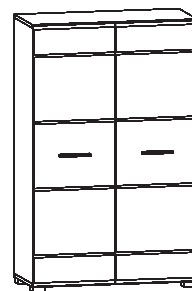
# 9



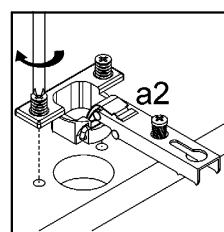
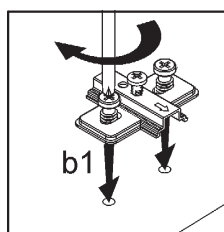
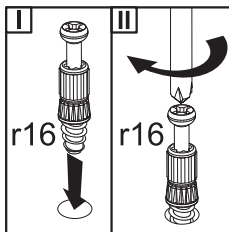
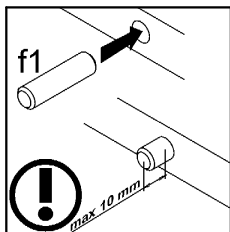
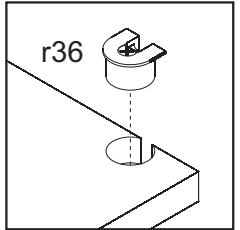
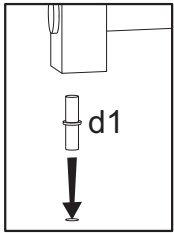
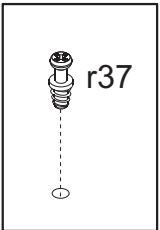
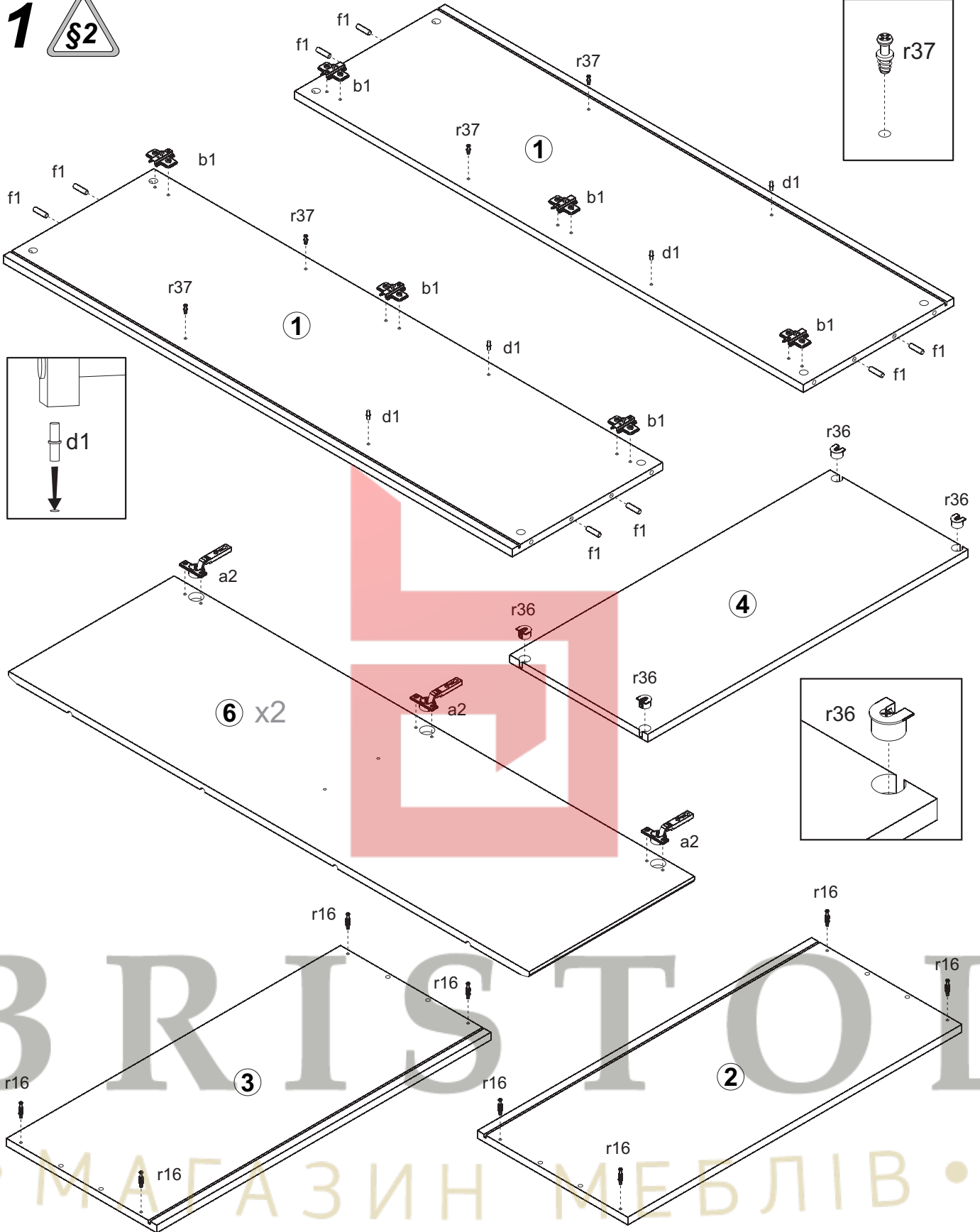
# ВУШЕР

Шафка / Шкафчик - REG2D

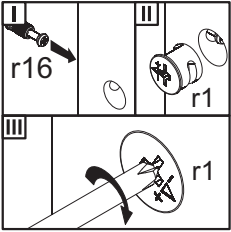
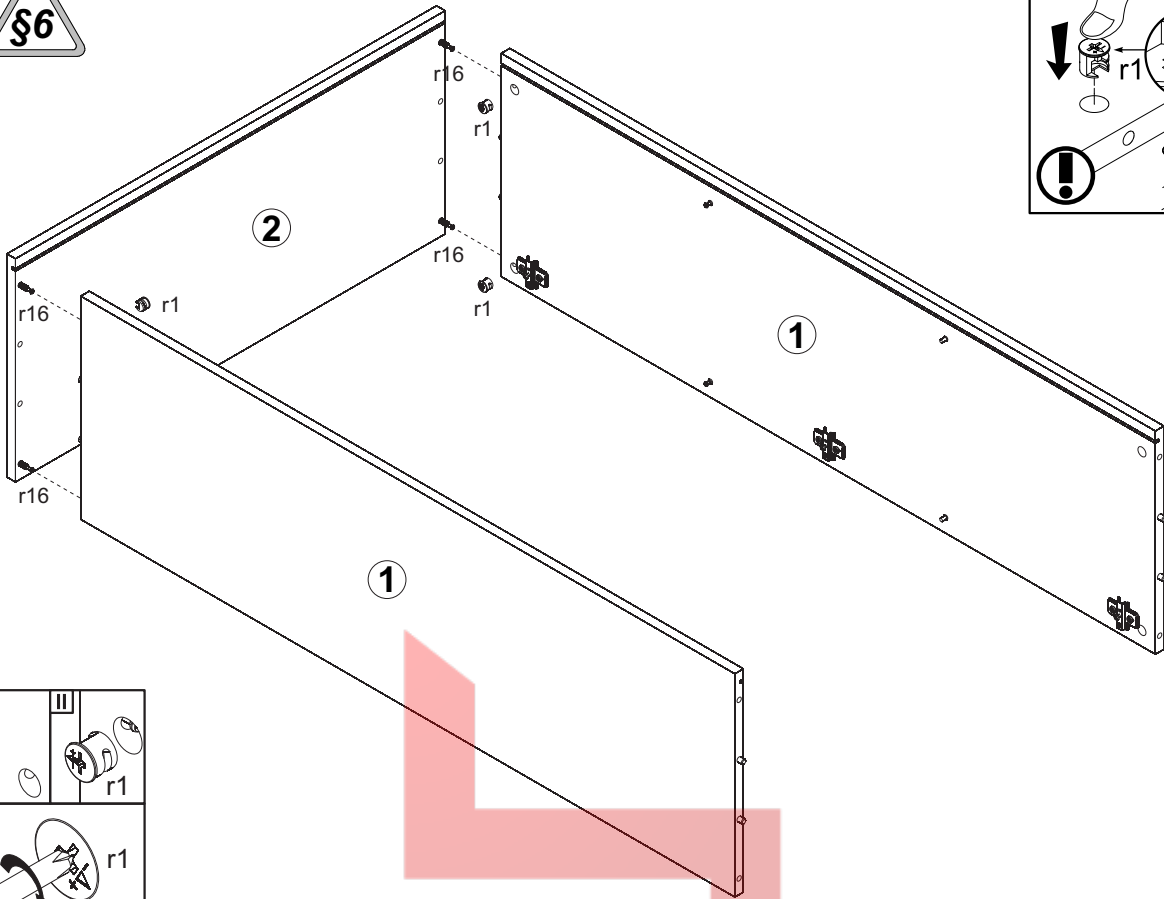
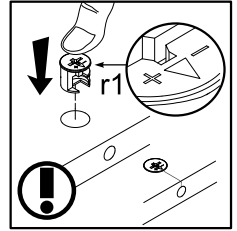
A	B	C	D	A	B	C	D		
1	S154-121	1218	360	1/1	5	S154-315	767	330	1/1
2	S154-219	800	360	1/1	6	S154-004	396	1246	1/1
3	S154-220	800	360	1/1	7	S154-925	1228	388	1/1
4	S154-314	767	330	1/1	8	LH-1217	1217	14	1/1



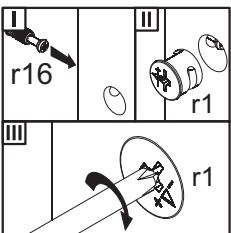
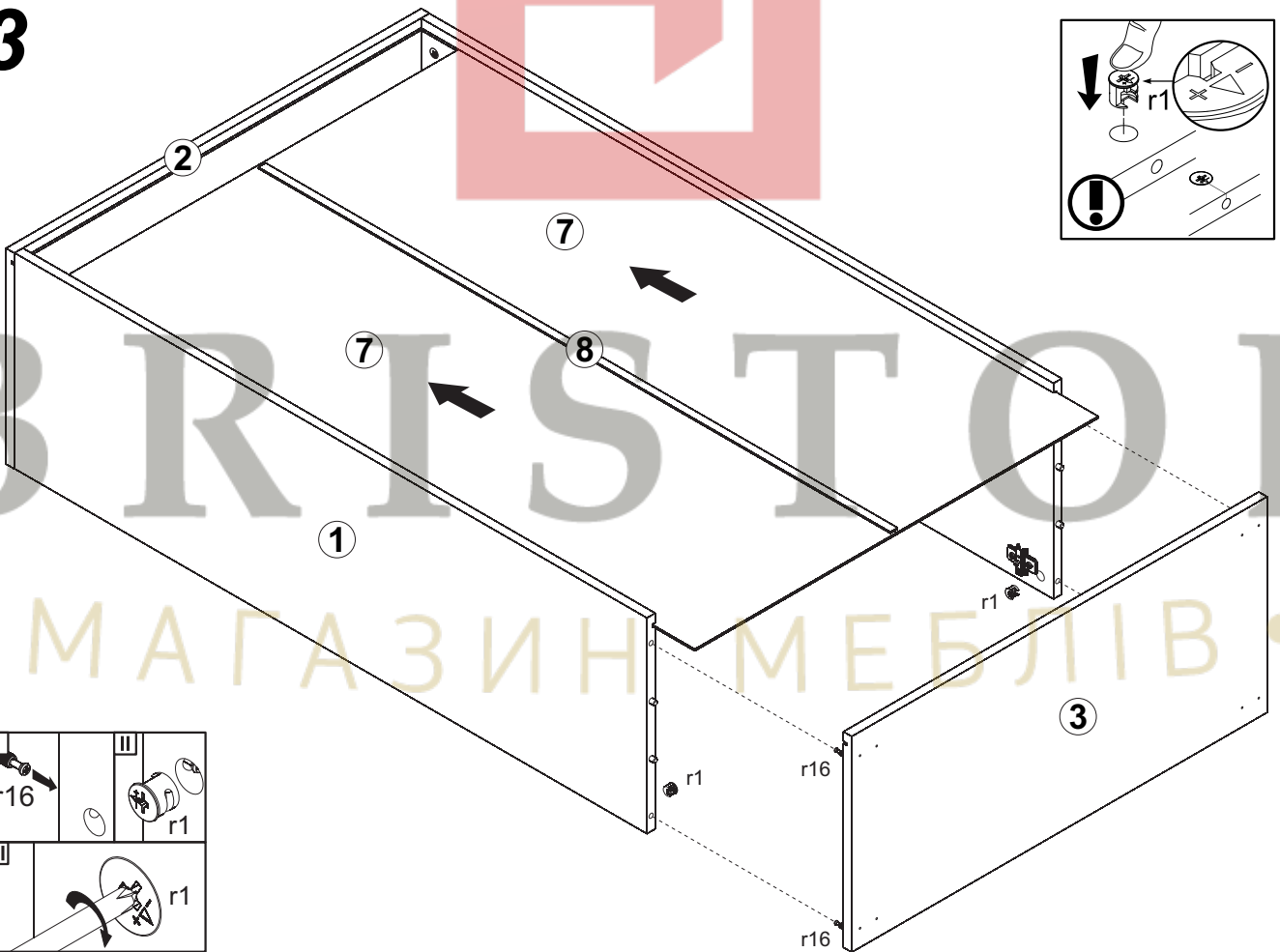
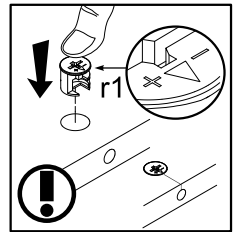
# 1

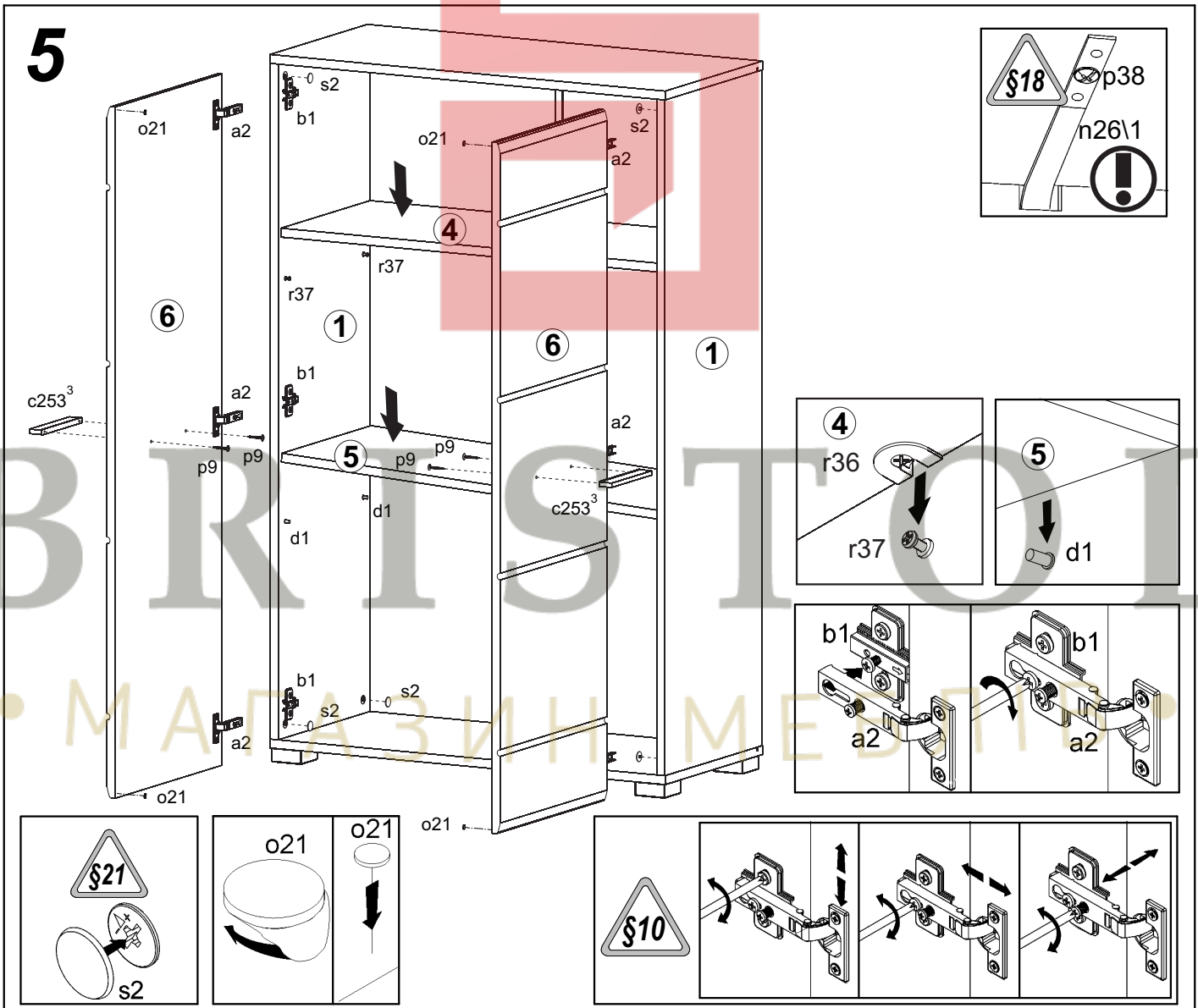
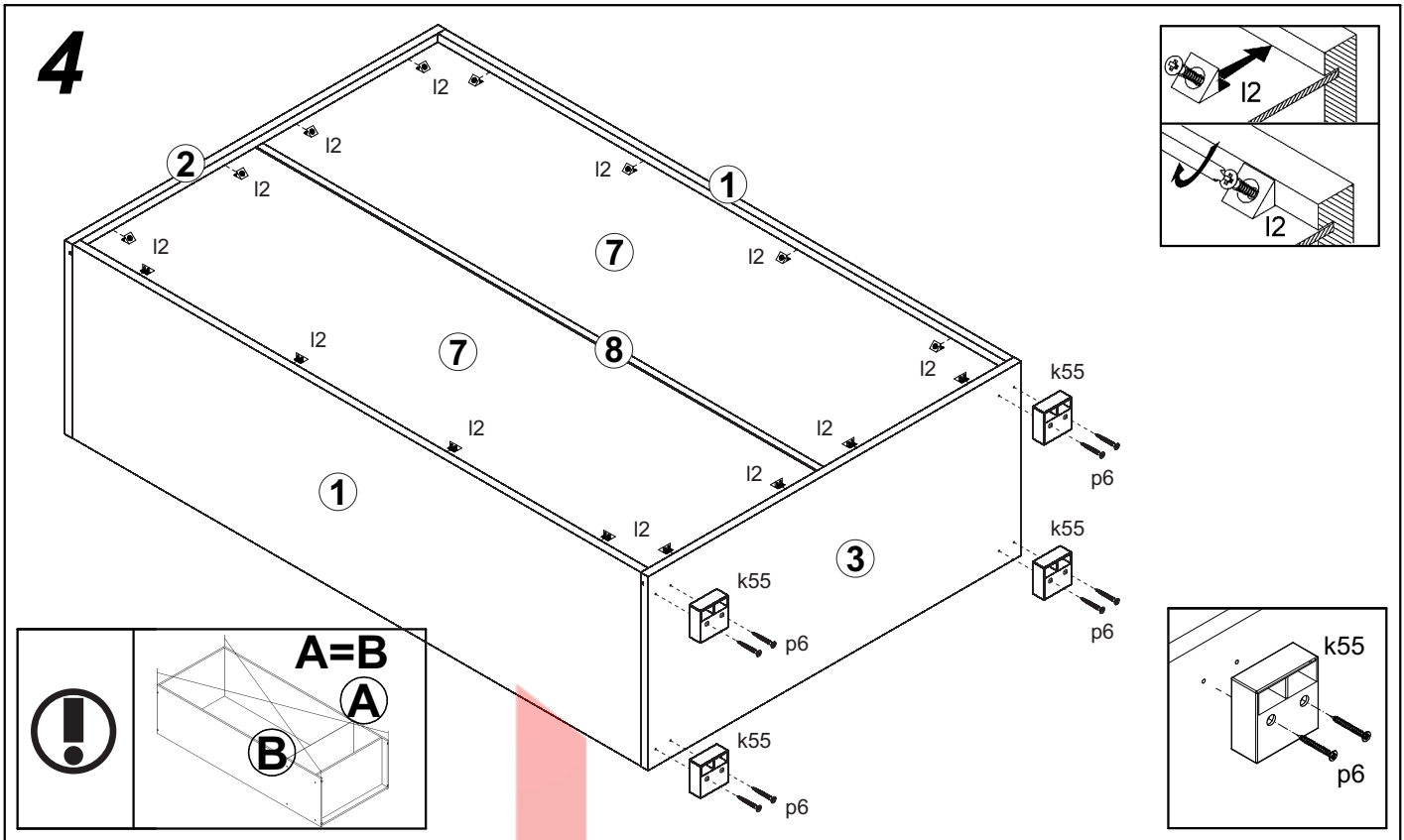


**2** 



**3**







# ВУШЕР

Полиця / Полка - **POL/110**

A	B	C	D
1	S154-403	1100	250
2	S154-313	650	224

