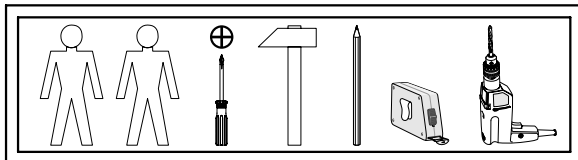
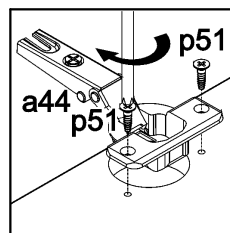
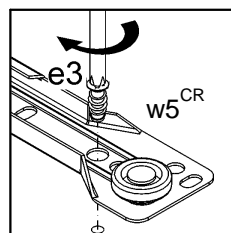
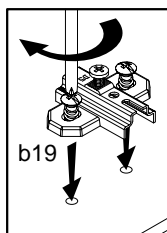
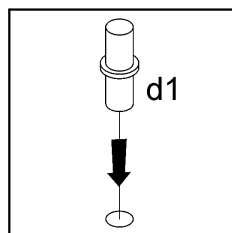
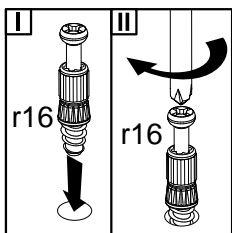
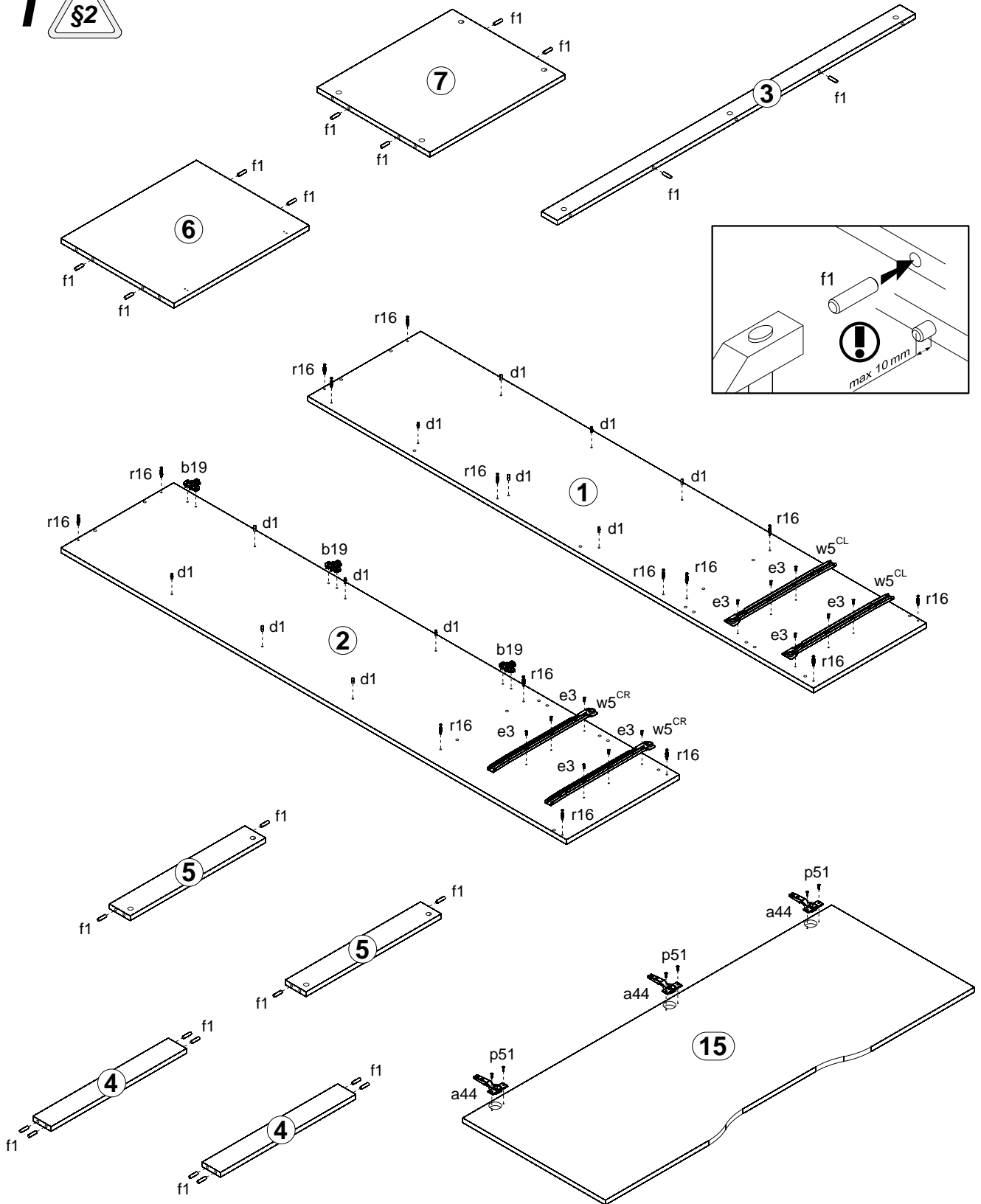


A	B	C	D
1	SI1-127	1950	435
2	SI1-128	1950	435
3	SI1-428	1381	60
4	SI1-414	522	70
5	SI1-409	522	80
6	SI1-312	522	435
7	SI1-321	522	435
8	SI1-328	522	402
9	SI1-922	1895	274
10	SI1-911	480	399
11	LH-1852	1852	14
12	SI1-551	400	120
13	SI1-552	400	120
14	SI1-561	465	120
15	SI1-034	550	1423
16	SI1-017	550	219

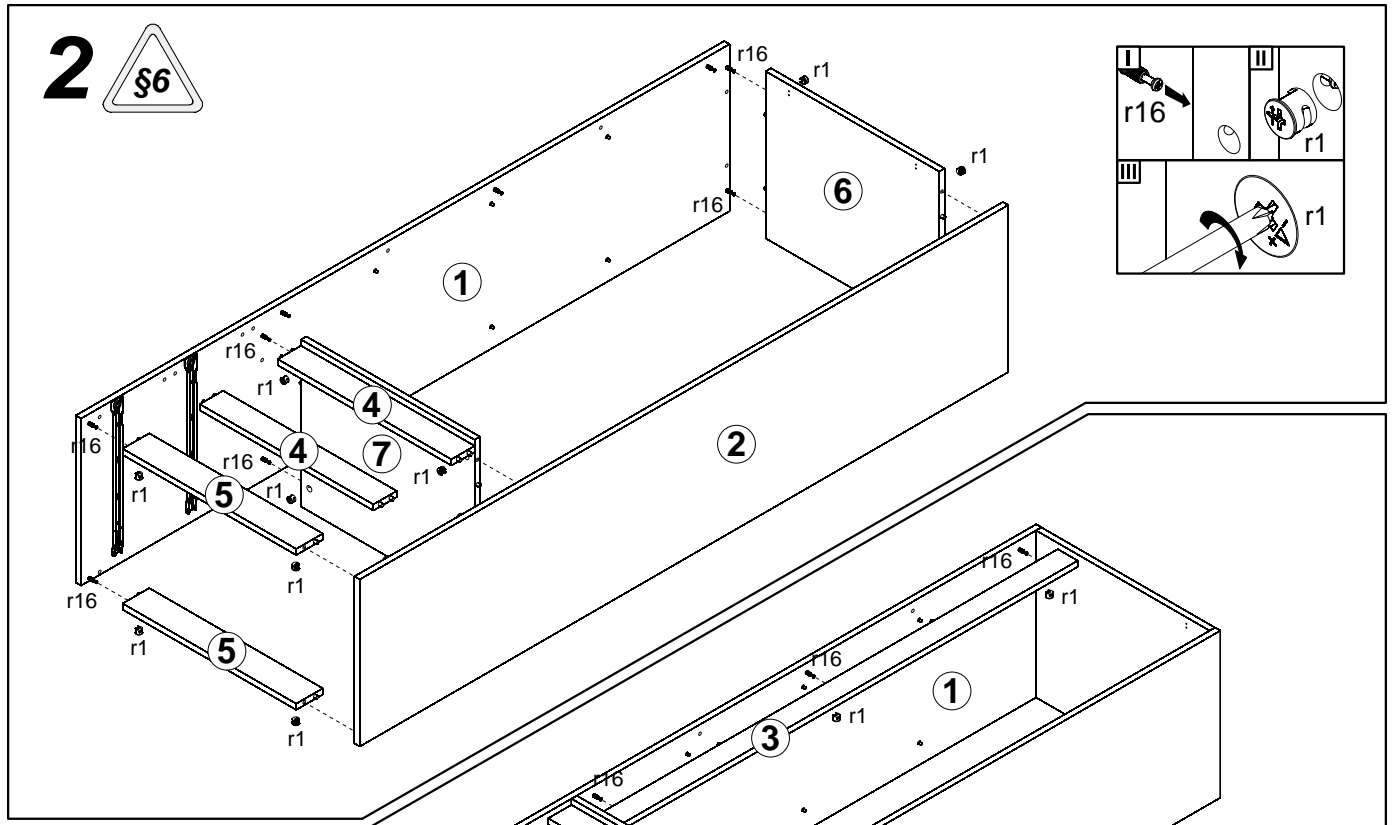


3x a44	3x b19	12x d1 5x17 mm	12x e3 6x13 mm	8x e32 5x50 mm	22x f1 8x30 mm	4x k1	55x l1
1x m32 8/35x11 mm	1x m34	1x n261	2x p1 3.5x13 mm	5x p38 3.5x16 mm	6x p51 3.5x15 mm	8x p54 3x12 mm	23x r1 15x12 mm #16
23x r16 20/9	8x s2 16	2x w5 CL 400 mm	2x w5 CR 400 mm	2x w5 DL 400 mm	2x w5 DR 400 mm	 1x	

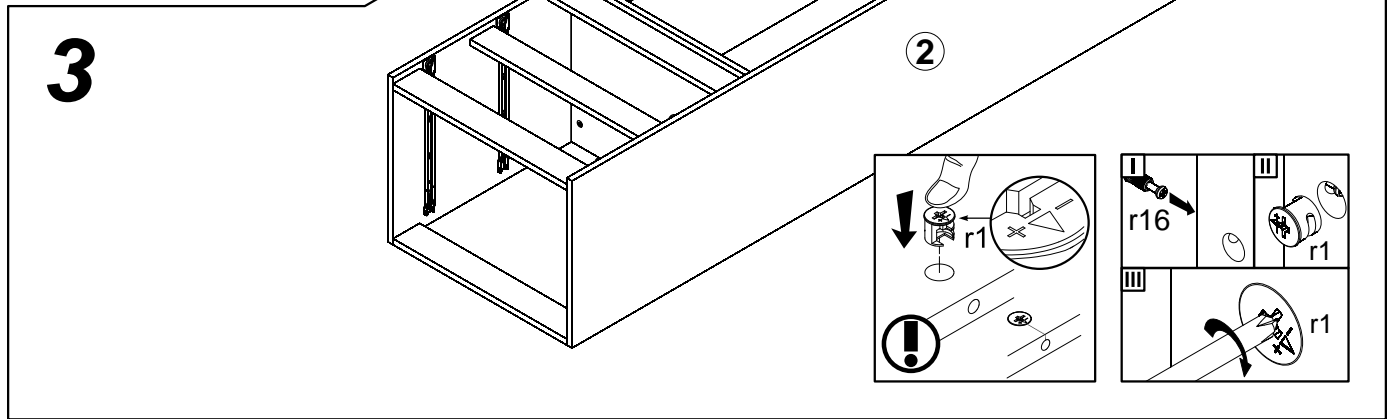
1 



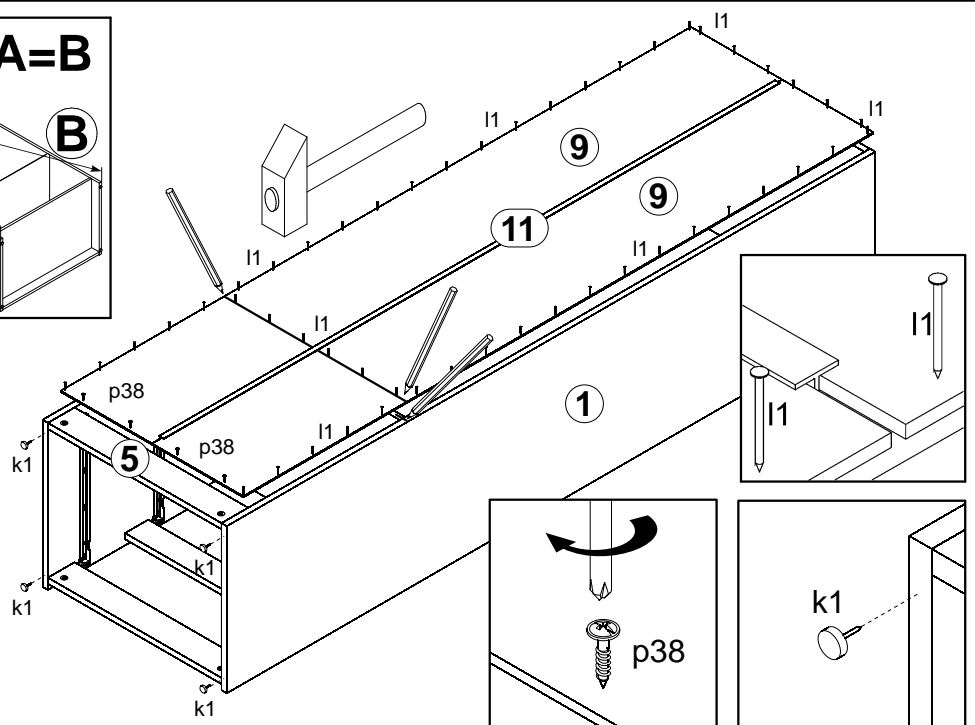
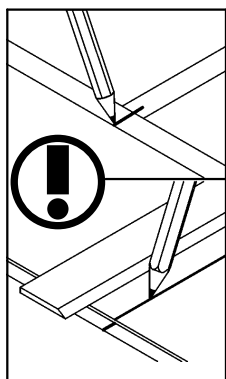
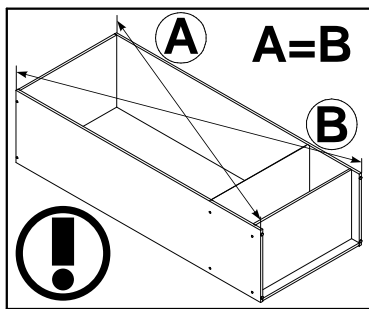
2



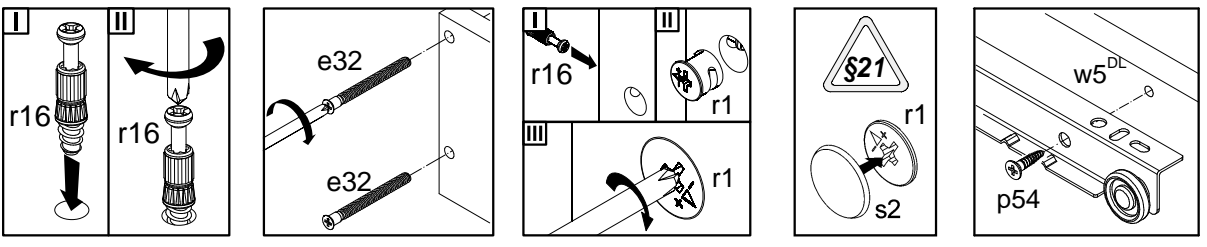
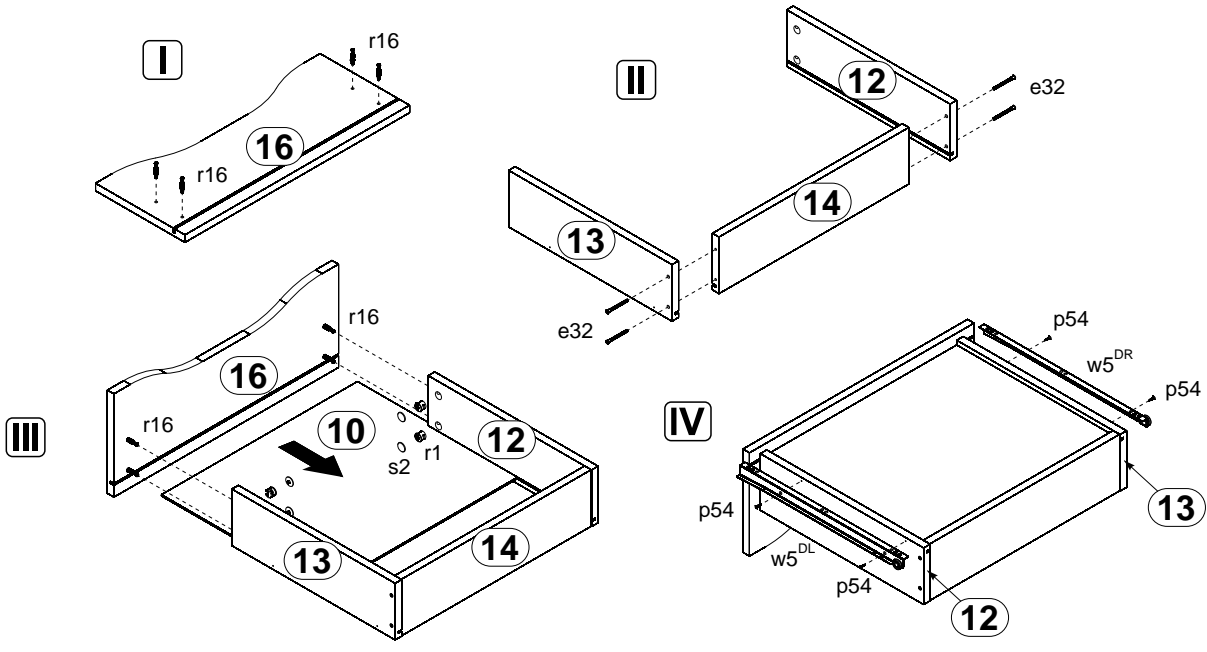
3



4



5



6

