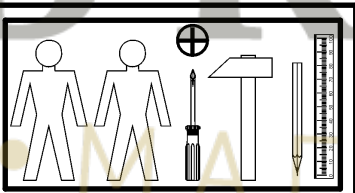
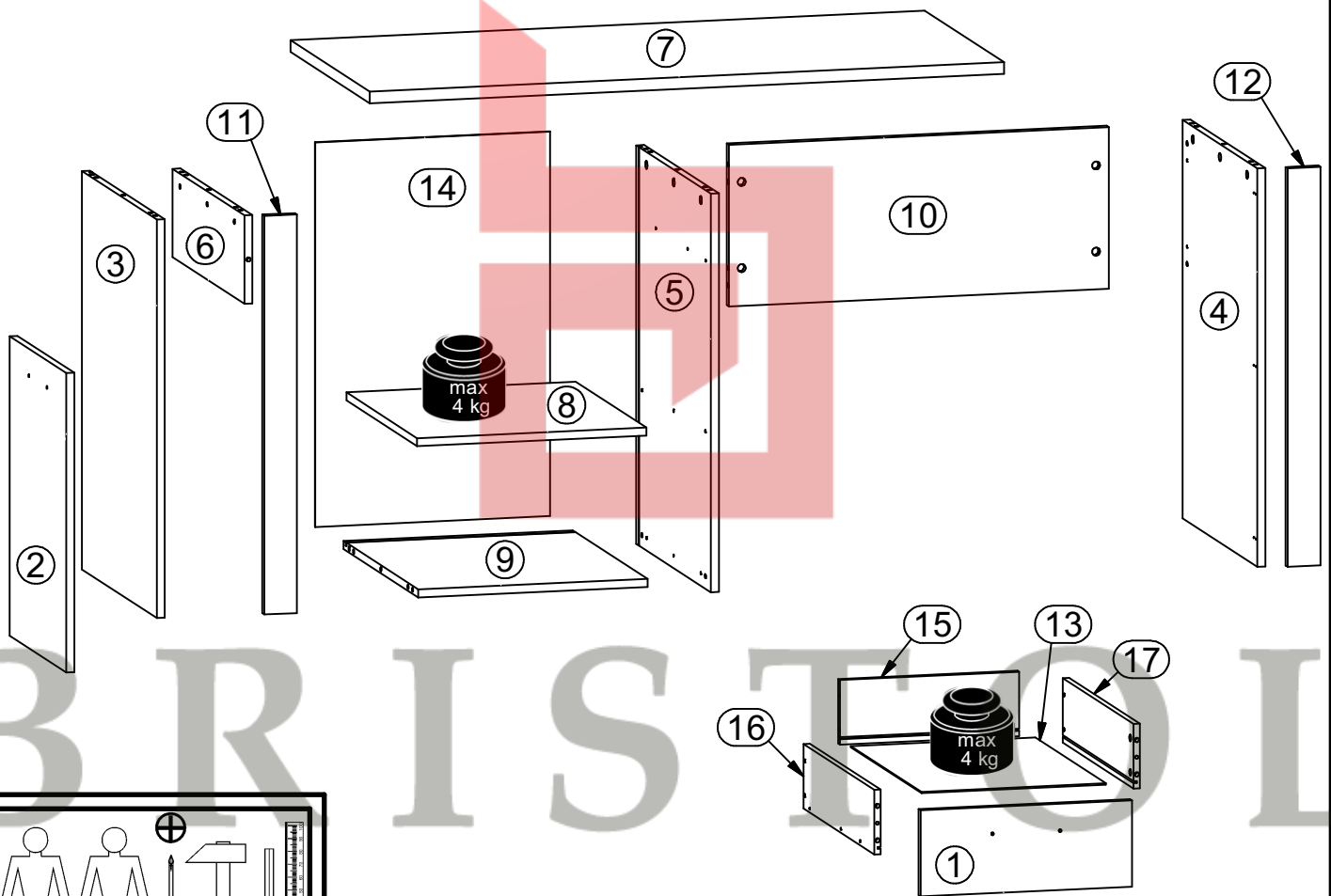
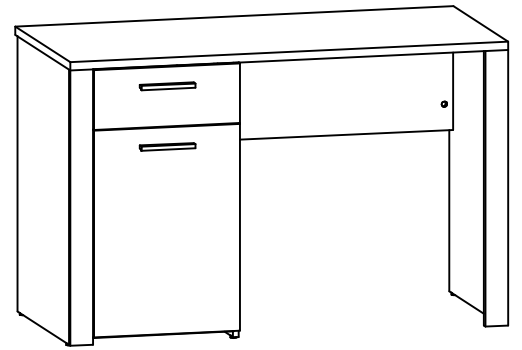
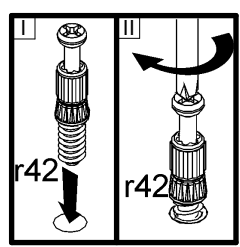
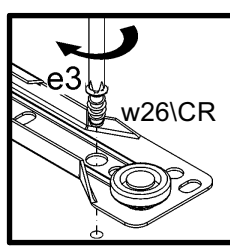
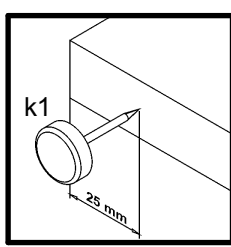
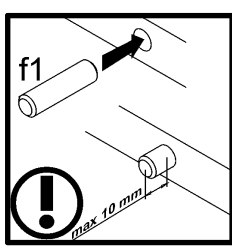
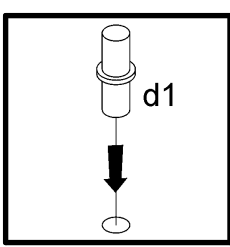
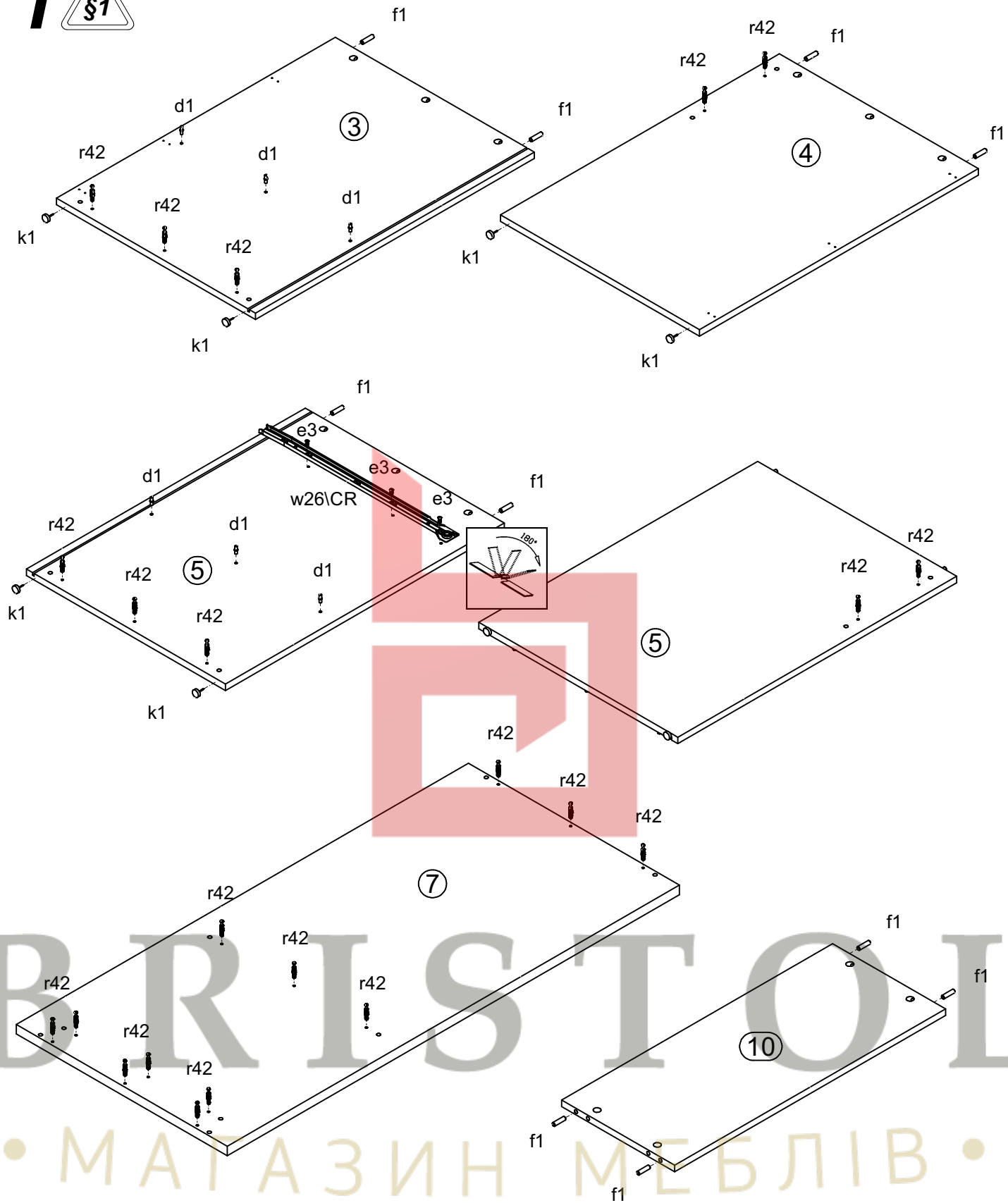


A	B	C	D	
1	S382-00008	160	400	3/3
2	S382-00009	556	400	3/3
3	S382-11015	740	528	1/3
4	S382-11016	740	528	1/3
5	S382-11017	740	528	1/3
6	S382-11018	164	508	1/3
7	S382-22005	1200	561	2/3
8	S382-33009	432	500	1/3
9	S382-33010	432	528	1/3
10	S382-44005	718	300	1/3
11	S382-55013	740	62	1/3
12	S382-55014	740	62	1/3
13	S382-99001	340	498	2/3
14	S382-99005	713	442	2/3
15	ZP-5516	330	120	1/3
16	BP-509	500	120	1/3
17	BP-510	500	120	1/3

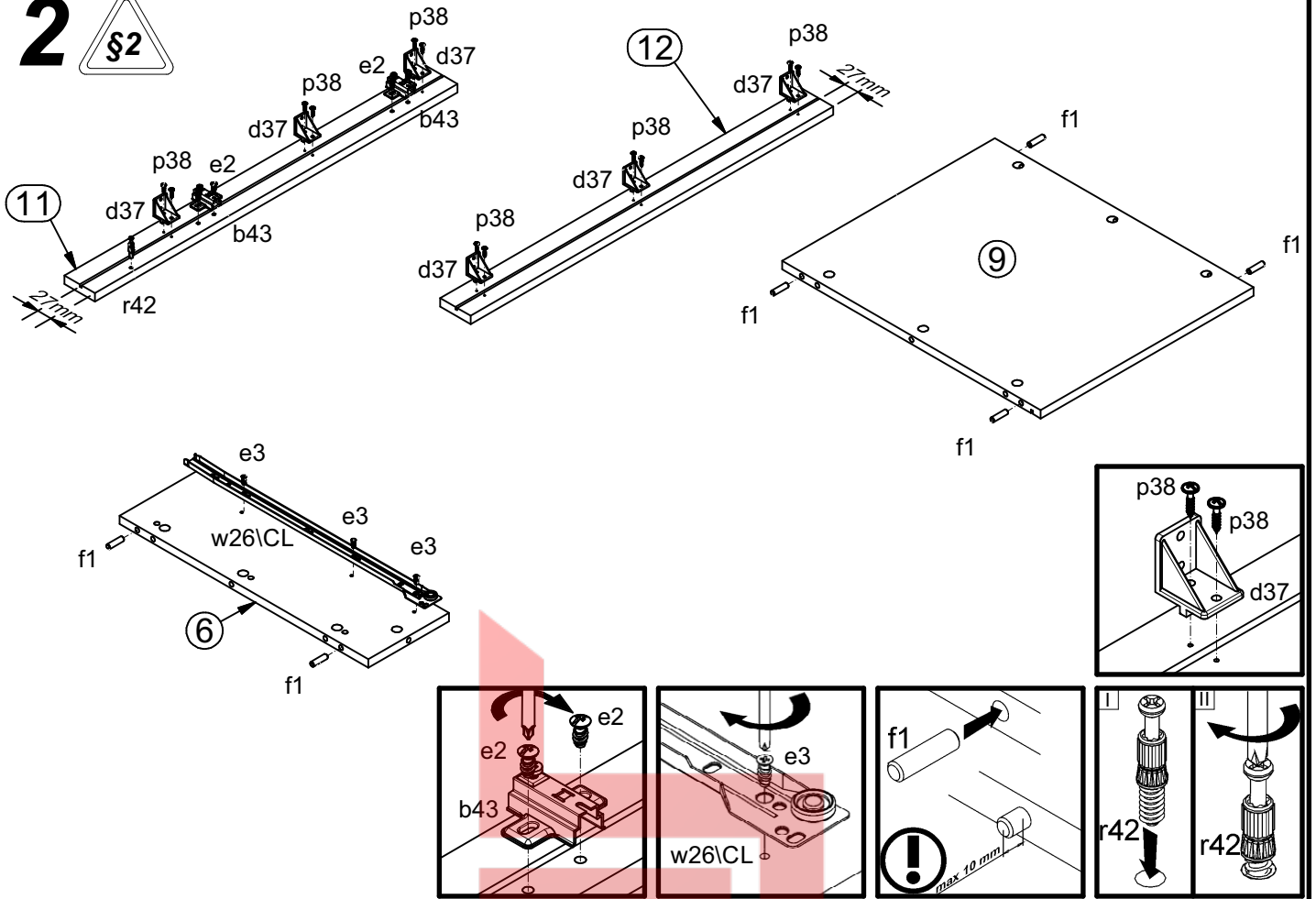


2x a132	2x b43	2x c328 128 mm	6x d1 n5x17 mm	6x d37	6x e19 Ø5x9 mm	4x e2 Ø6,3x13 mm	6x e3 Ø6x13 mm	16x f1 Ø8x30 mm
4x f25 Ø6,5x40 mm	2x f9 Ø6x30 mm	6x k1	5x l2	24x p38 Ø3,5x16 mm	4x p51 Ø3,5x15 mm	4x p87 φ4x25 mm	27x r1 Ø15x12 mm #16	27x r42 20/11
1x w26\CL 500 mm	1x w26\CR 500 mm	1x w26\DL 500 mm	1x w26\DR 500 mm	7x s2 Ø16				

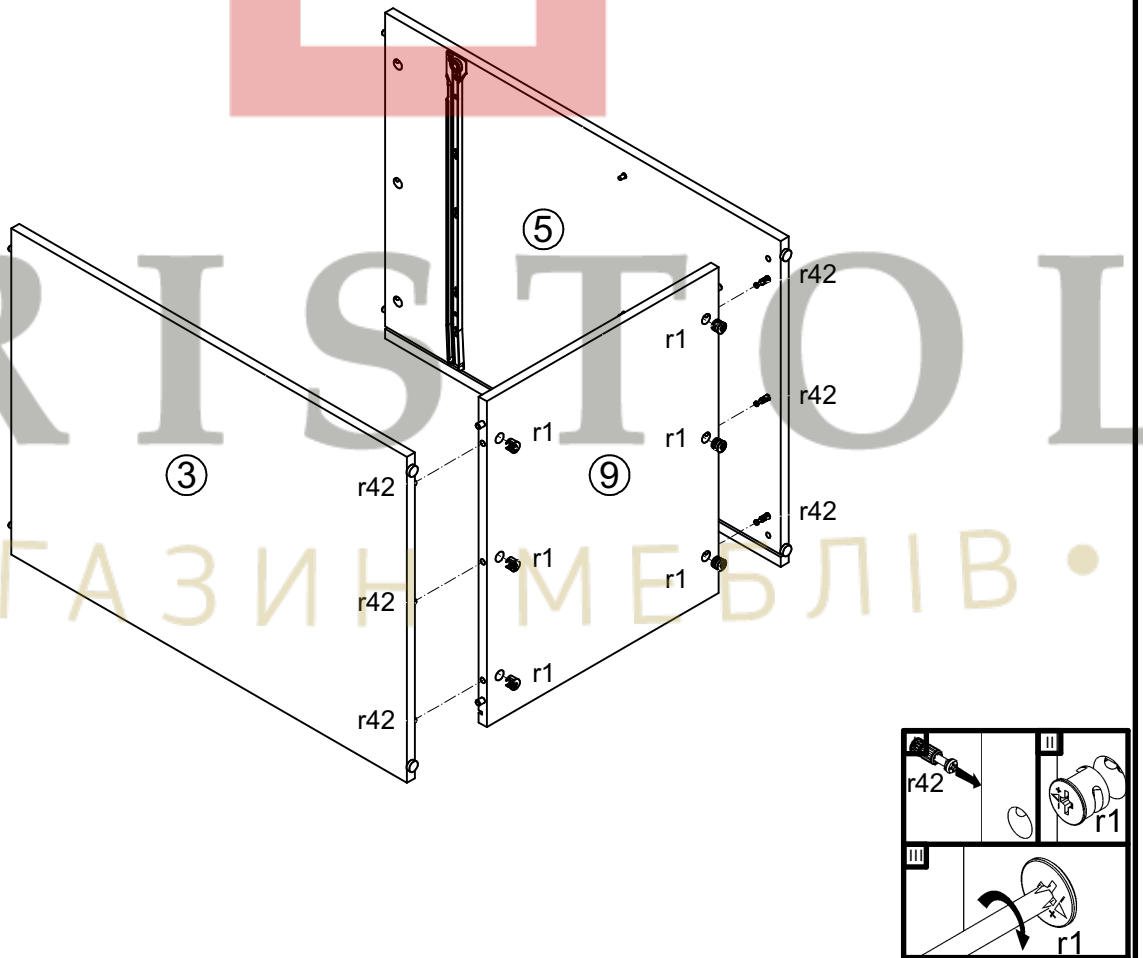
1

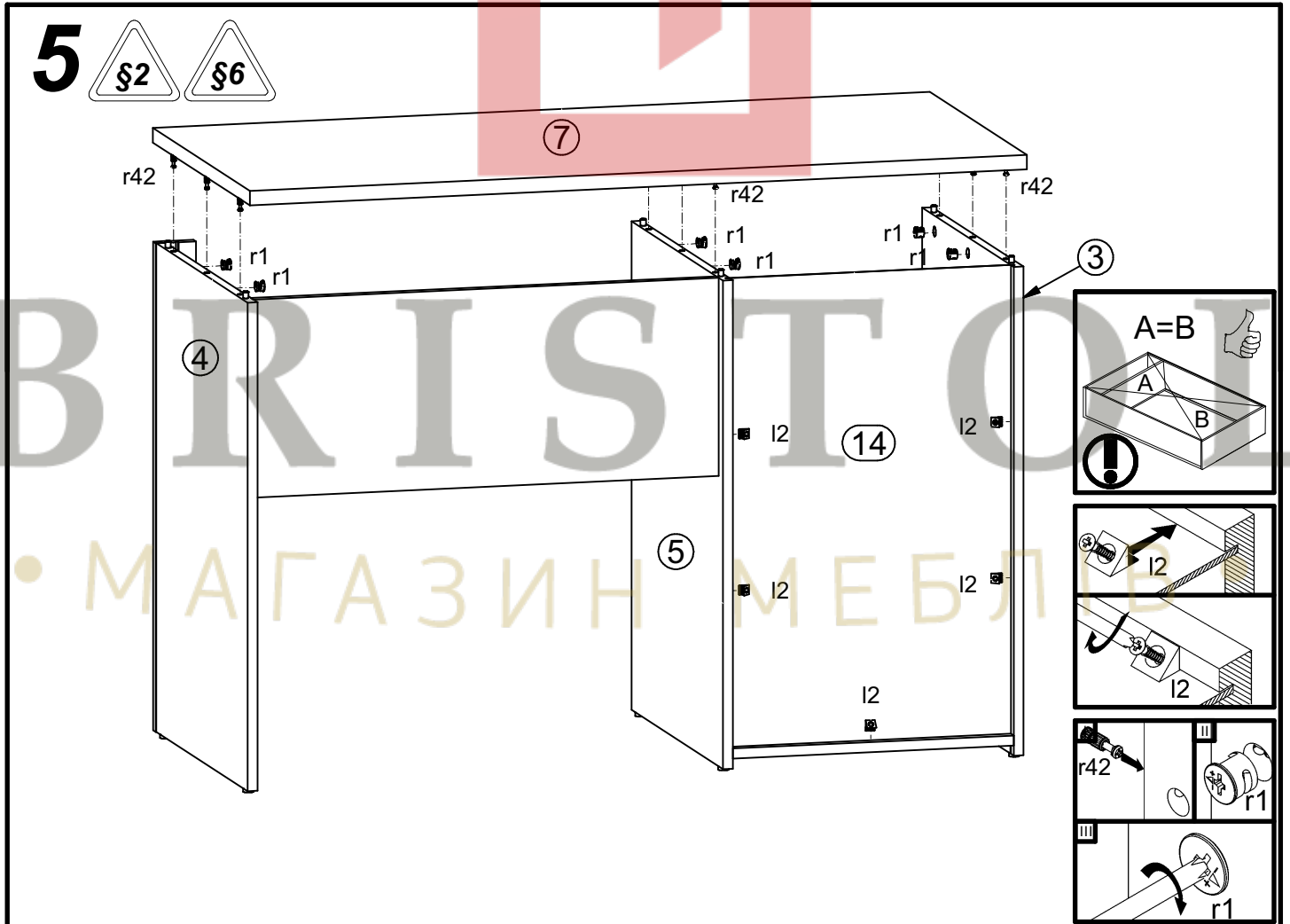
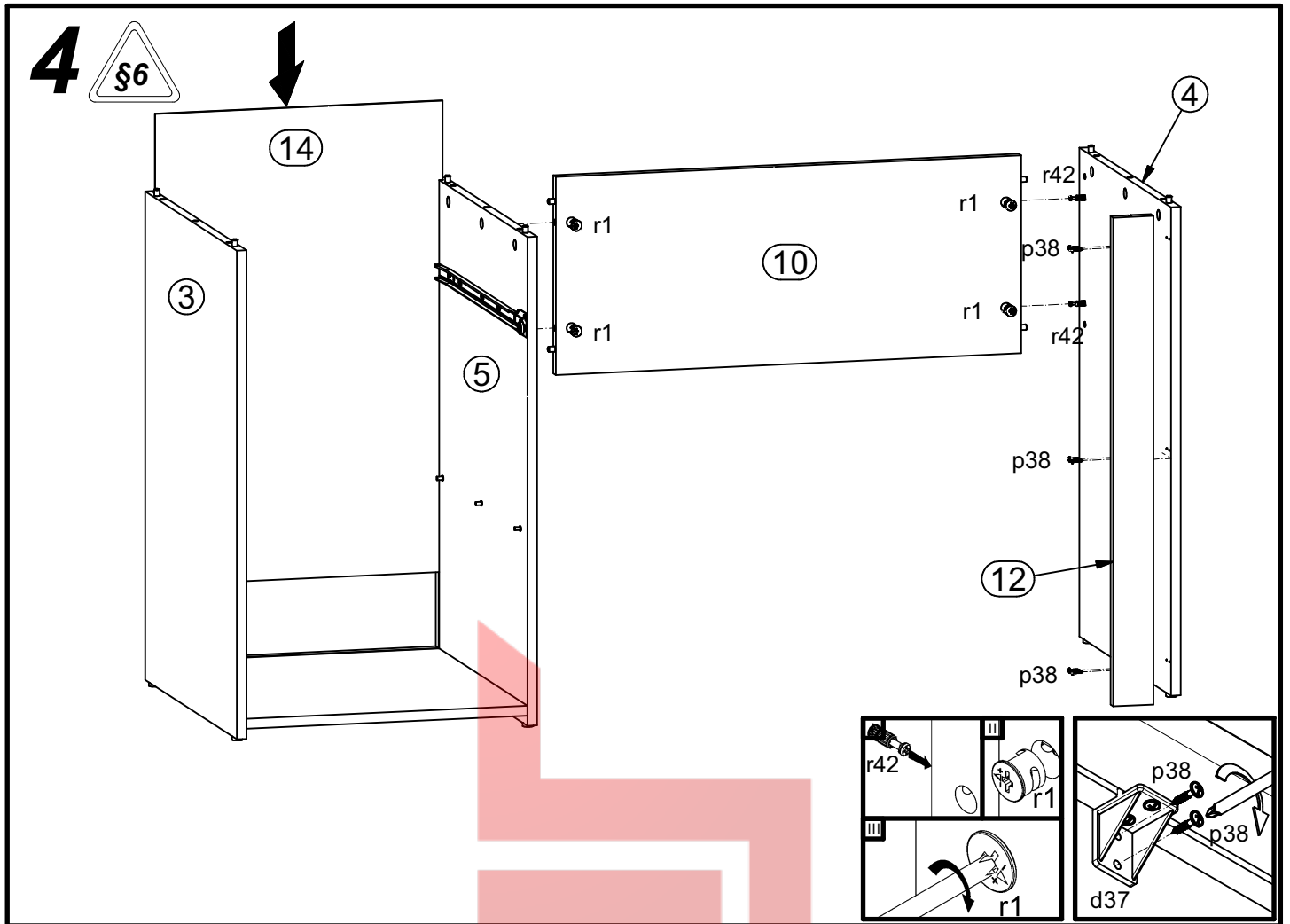


2

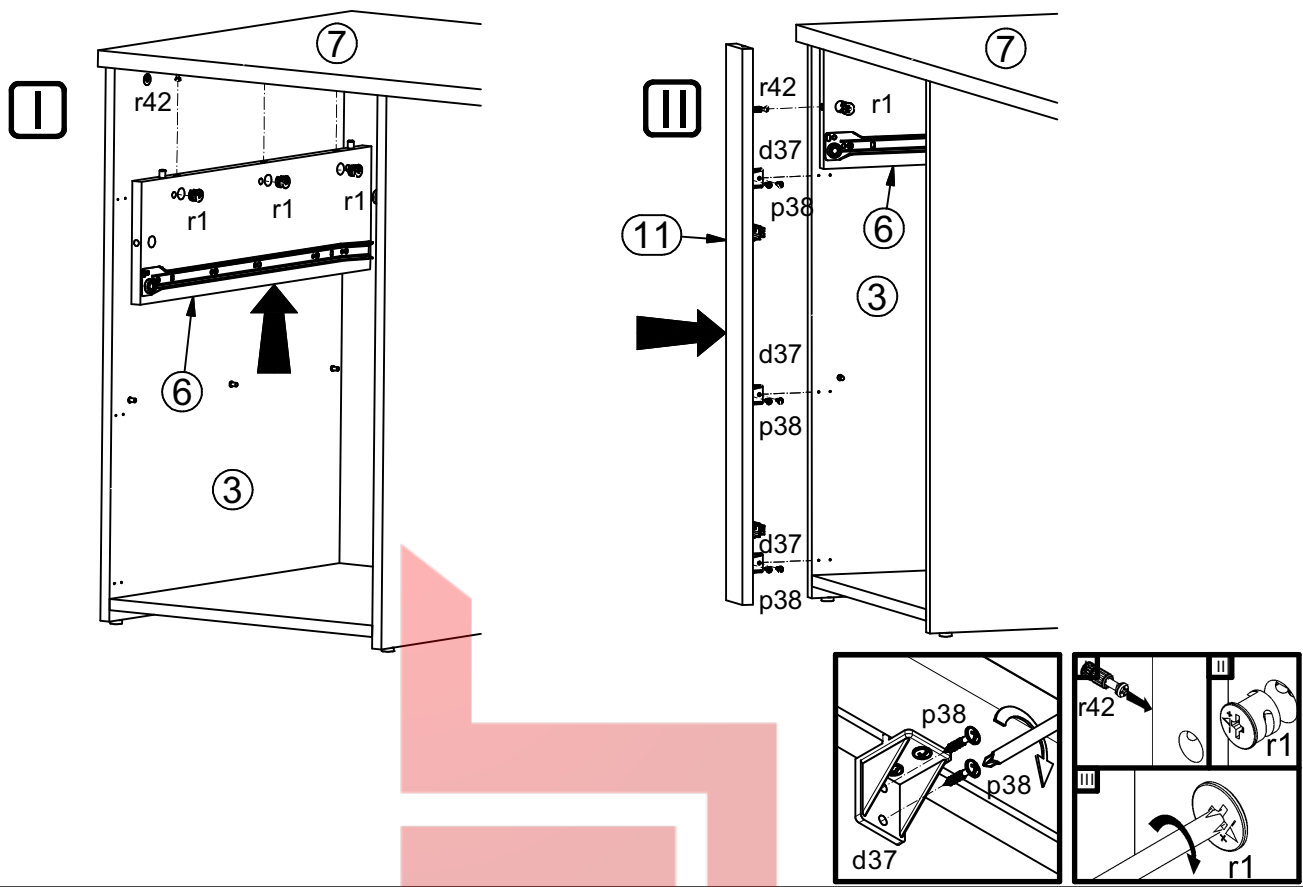


3

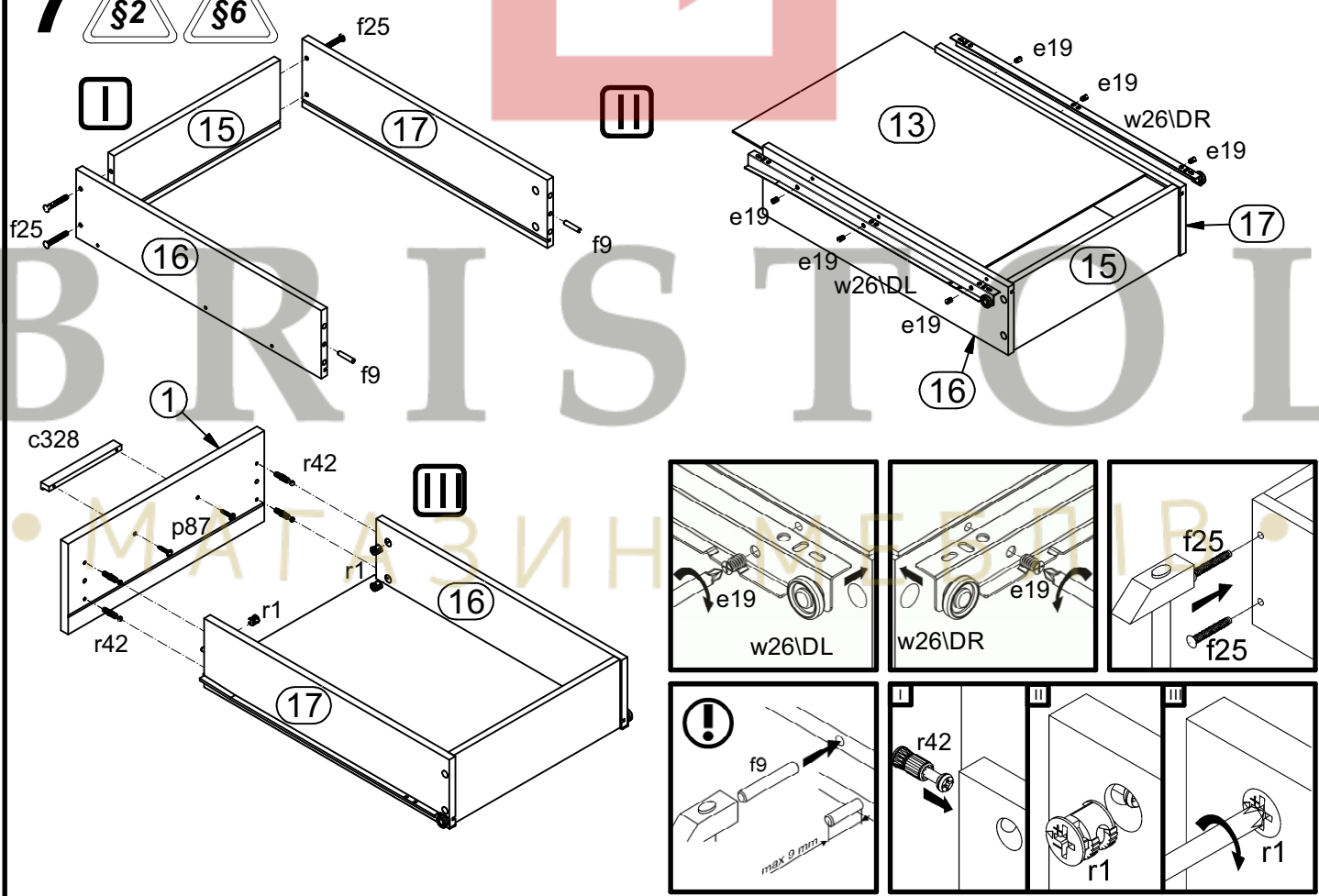




6



7



8 §6

