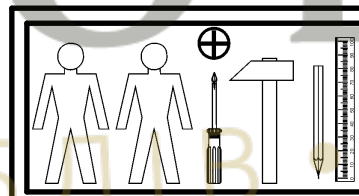
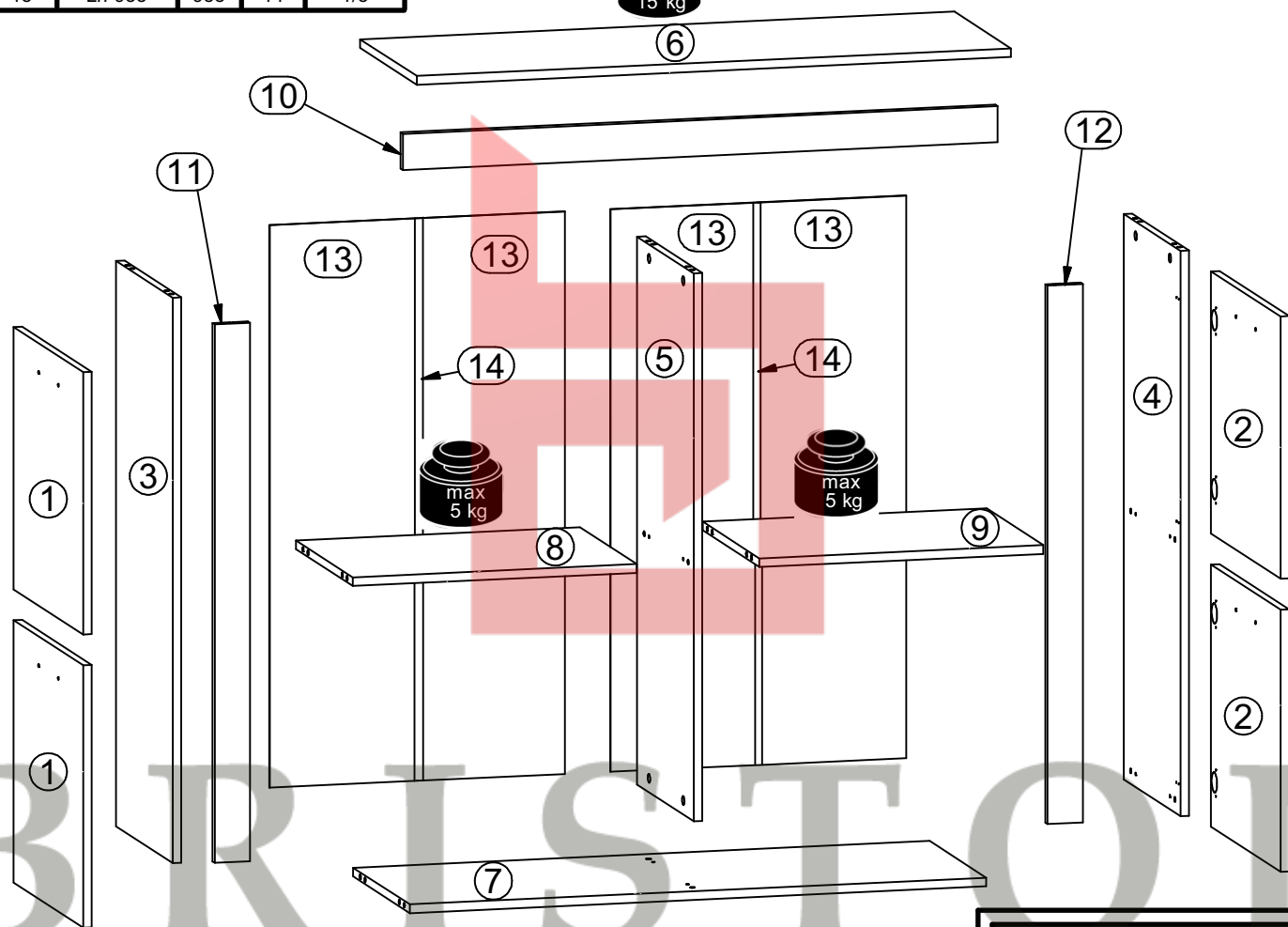
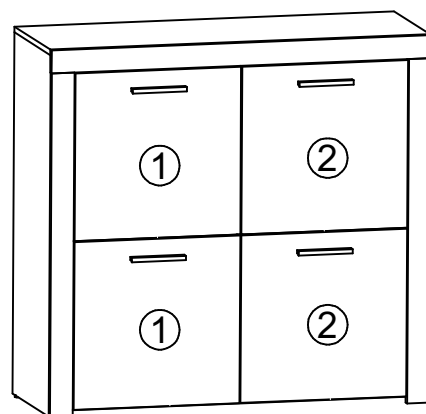


A

BONITO

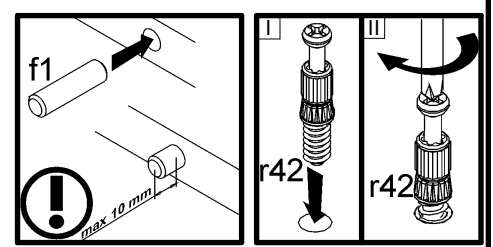
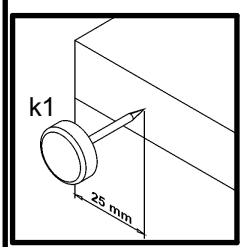
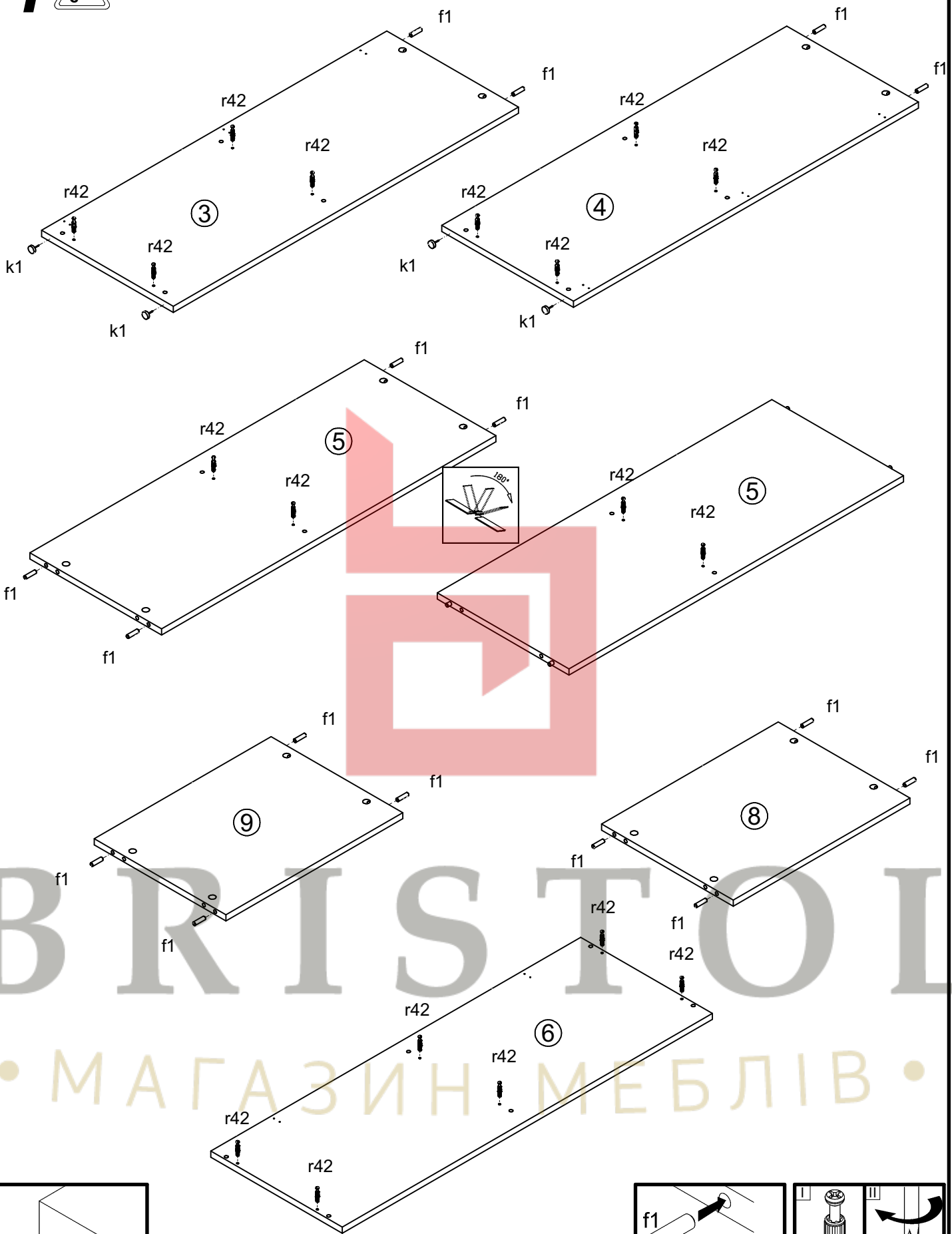
KOM4D

A	B	C	D	
1	S382-00001	450	454	3/3
2	S382-00002	450	454	3/3
3	S382-11001	970	370	1/3
4	S382-11002	970	370	1/3
5	S382-11003	939	370	1/3
6	S382-22001	1040	370	1/3
7	S382-33001	1007	370	1/3
8	S382-33002	495,5	370	1/3
9	S382-33003	495,5	370	1/3
10	S382-55001	1041	62	2/3
11	S382-55002	925	62	2/3
12	S382-55003	925	62	2/3
13	S382-99501	966	258	1/3
13	Lh-933	933	14	1/3

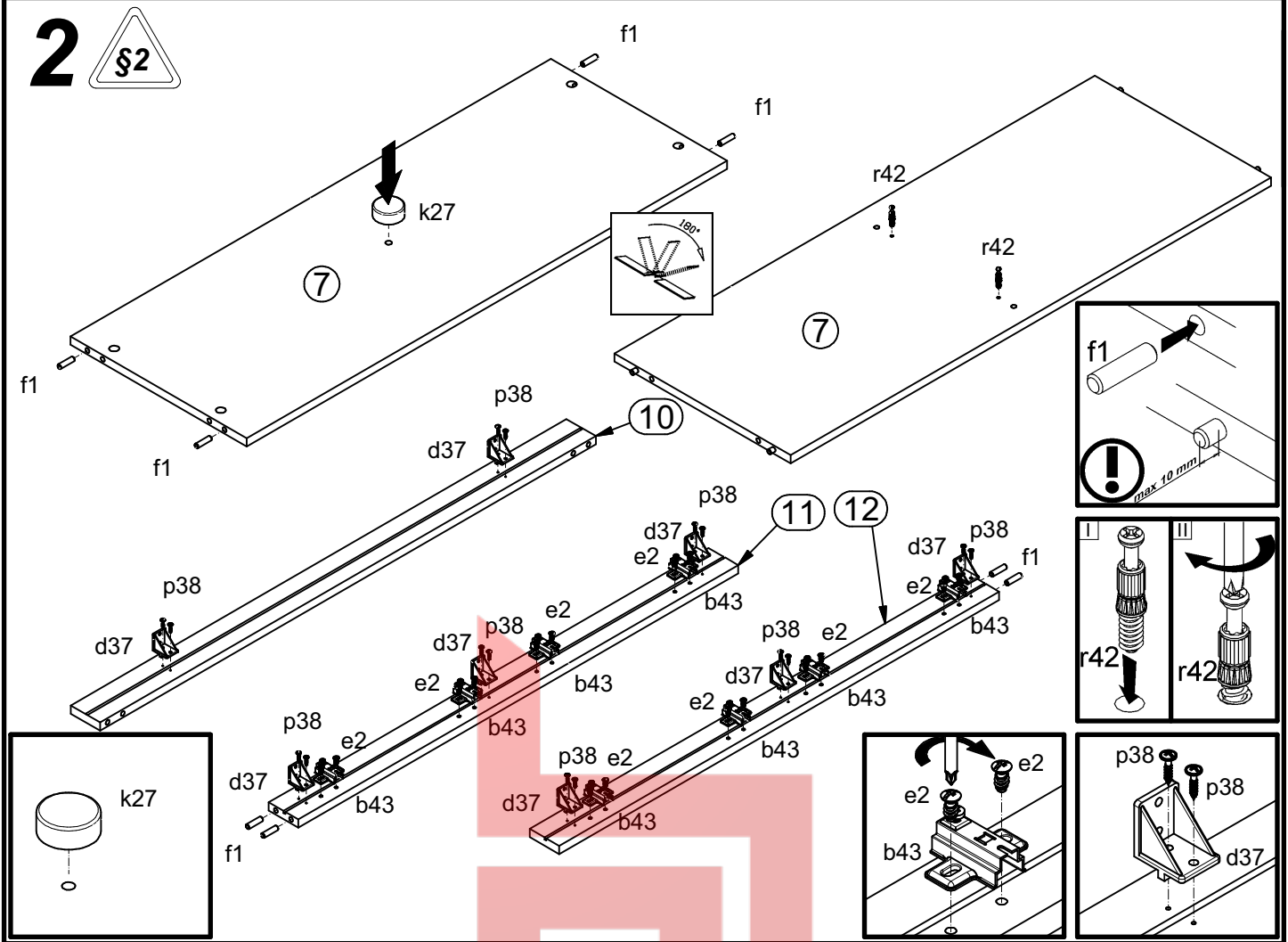


8x a132	8x b43	4x c328 128 mm	8x d37	16x e2 Ø6,3x13 mm	24x f1 Ø8x30 mm	4x k1	1x k27	50x l1
32x p38 Ø3,5x16 mm	16x p51 Ø3,5x15 mm	8x p87 φ4x25 mm	20x r1 Ø15x12 mm #16	20x r42 20/11	6x s2 Ø16	8x n108 20x13x3,91	8x p55 Ø2,9x16 mm	
						1x n26/1	1x p38 Ø3,5x16 mm	

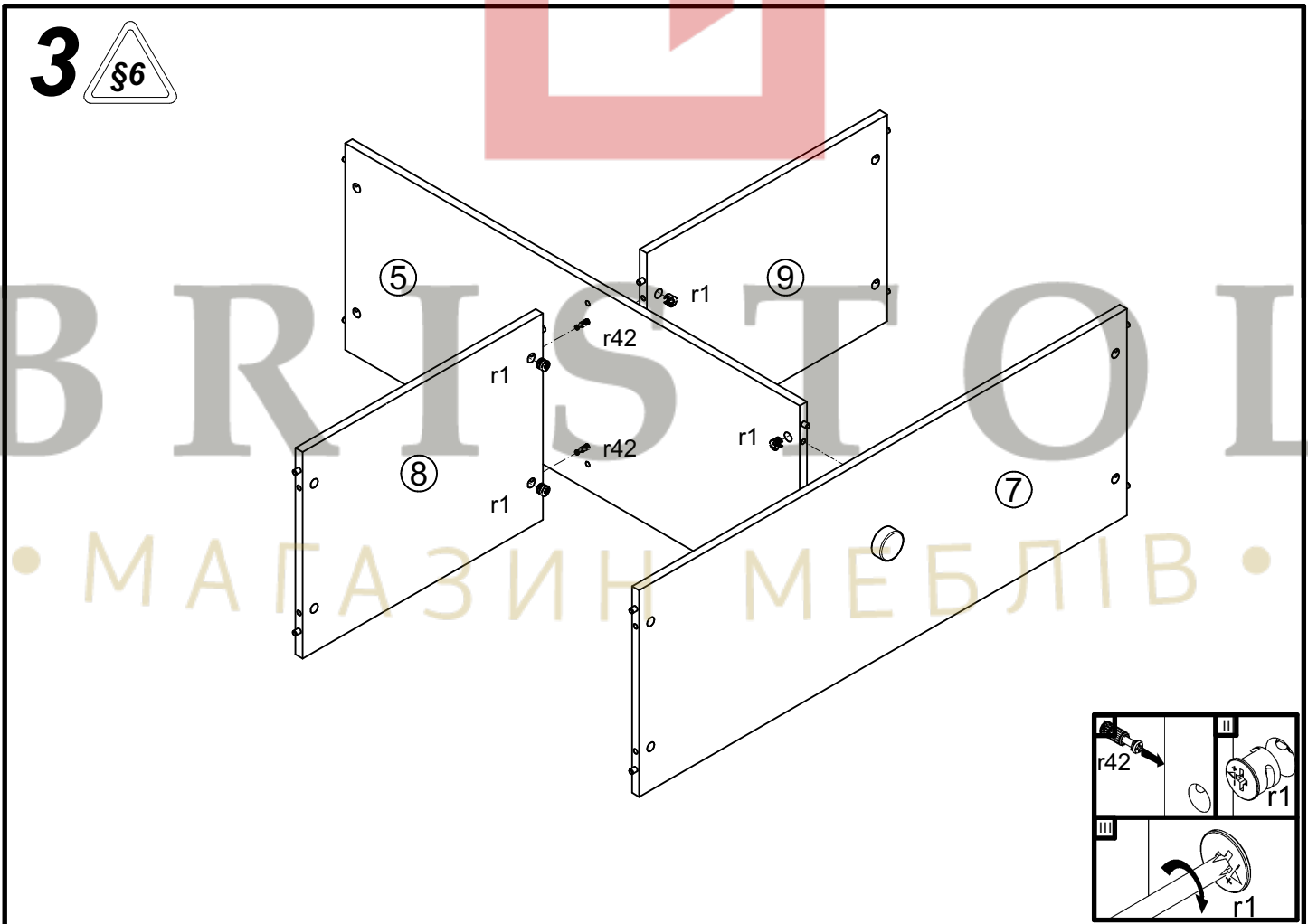
1 



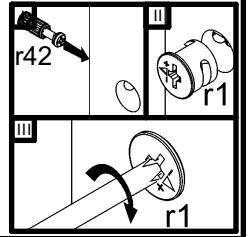
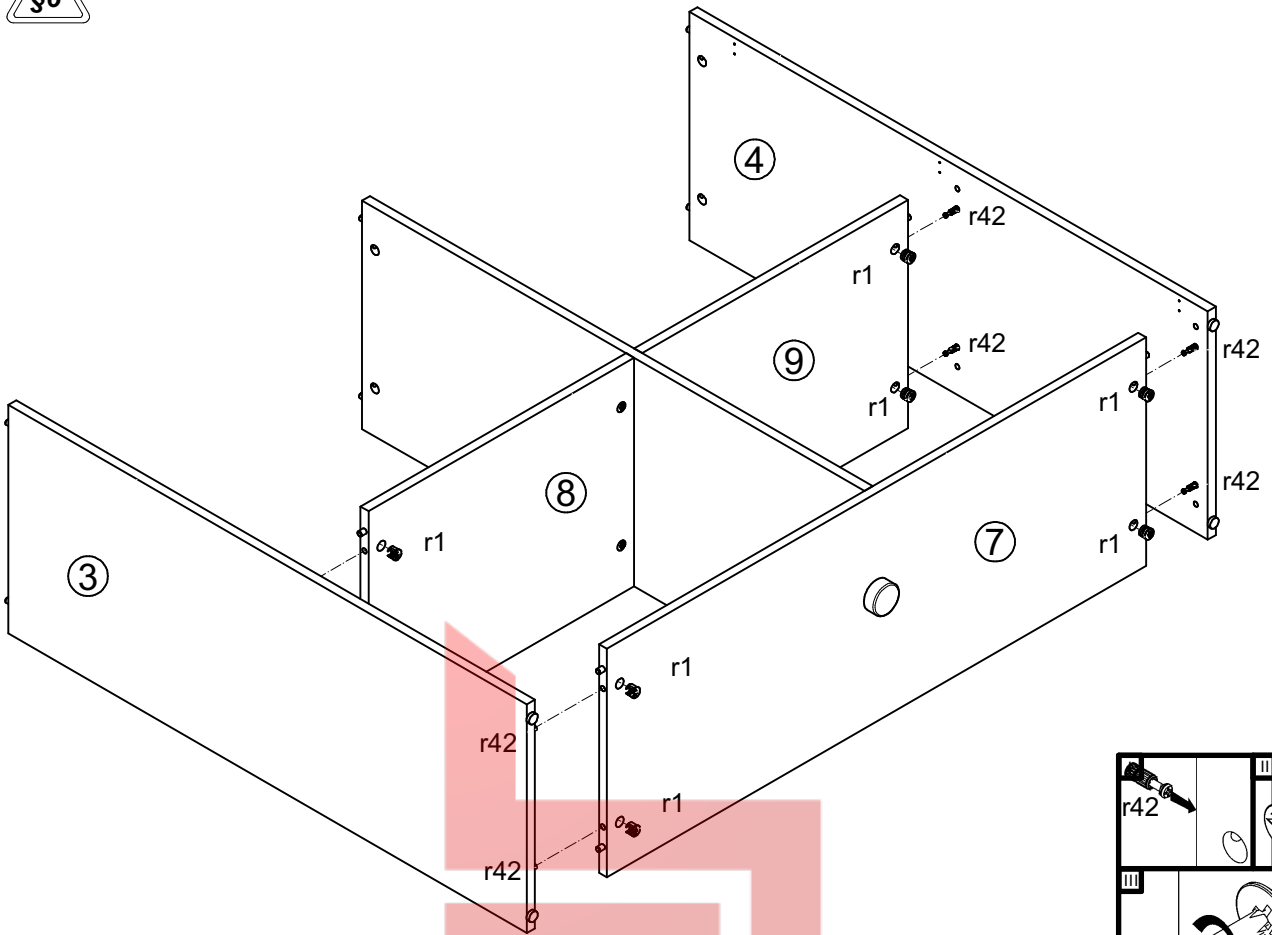
2 §2



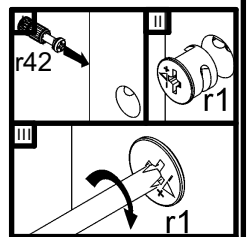
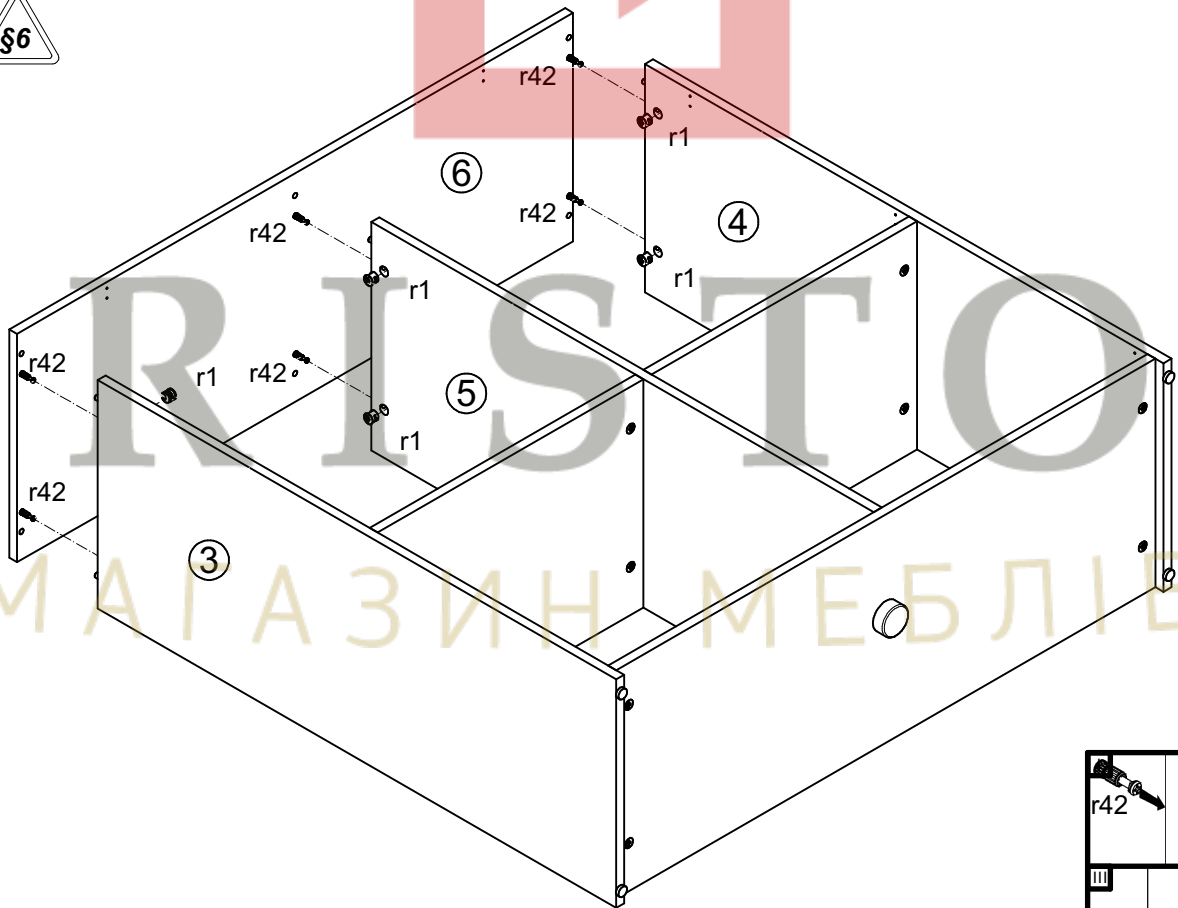
3 §6



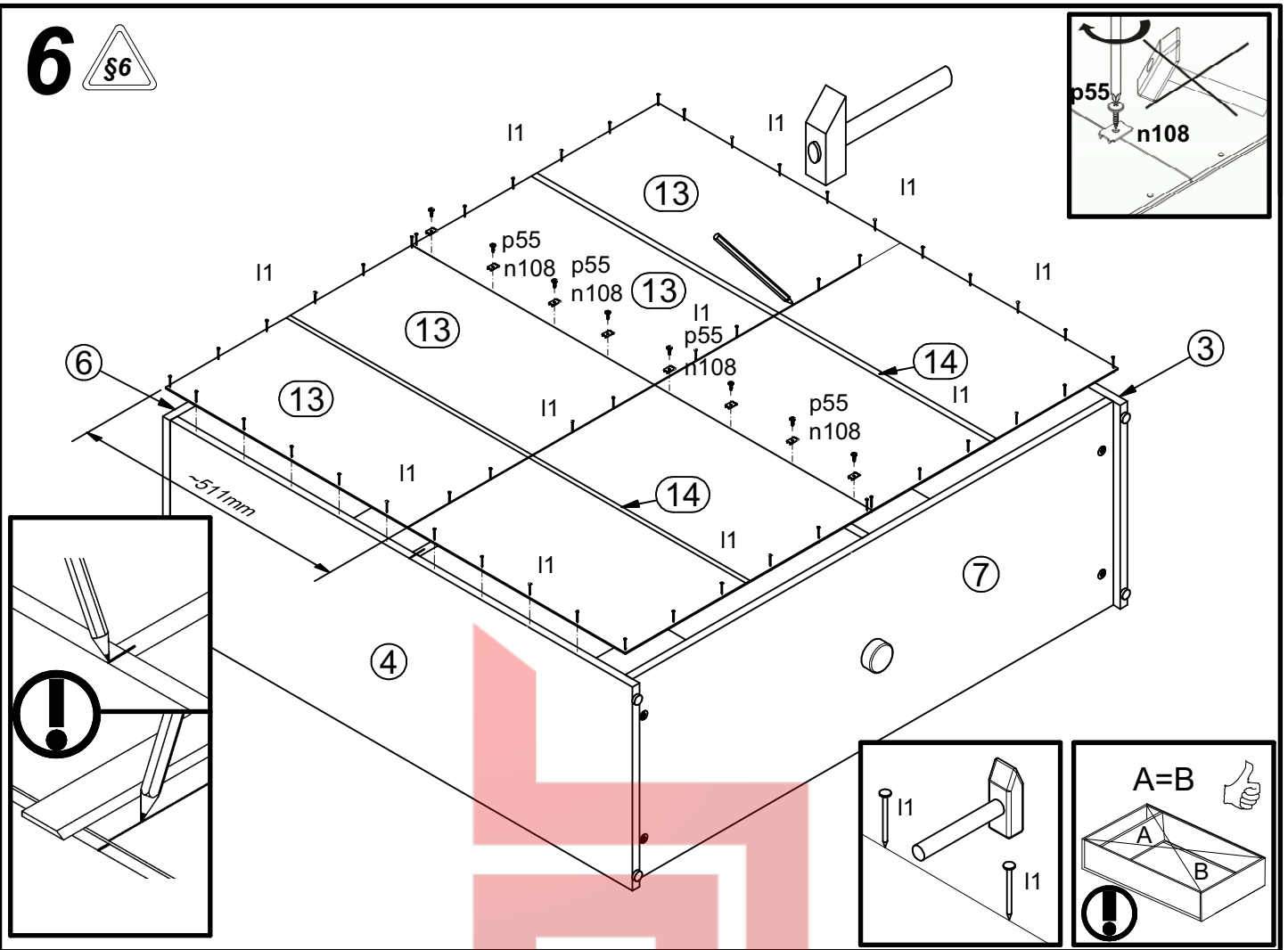
4 



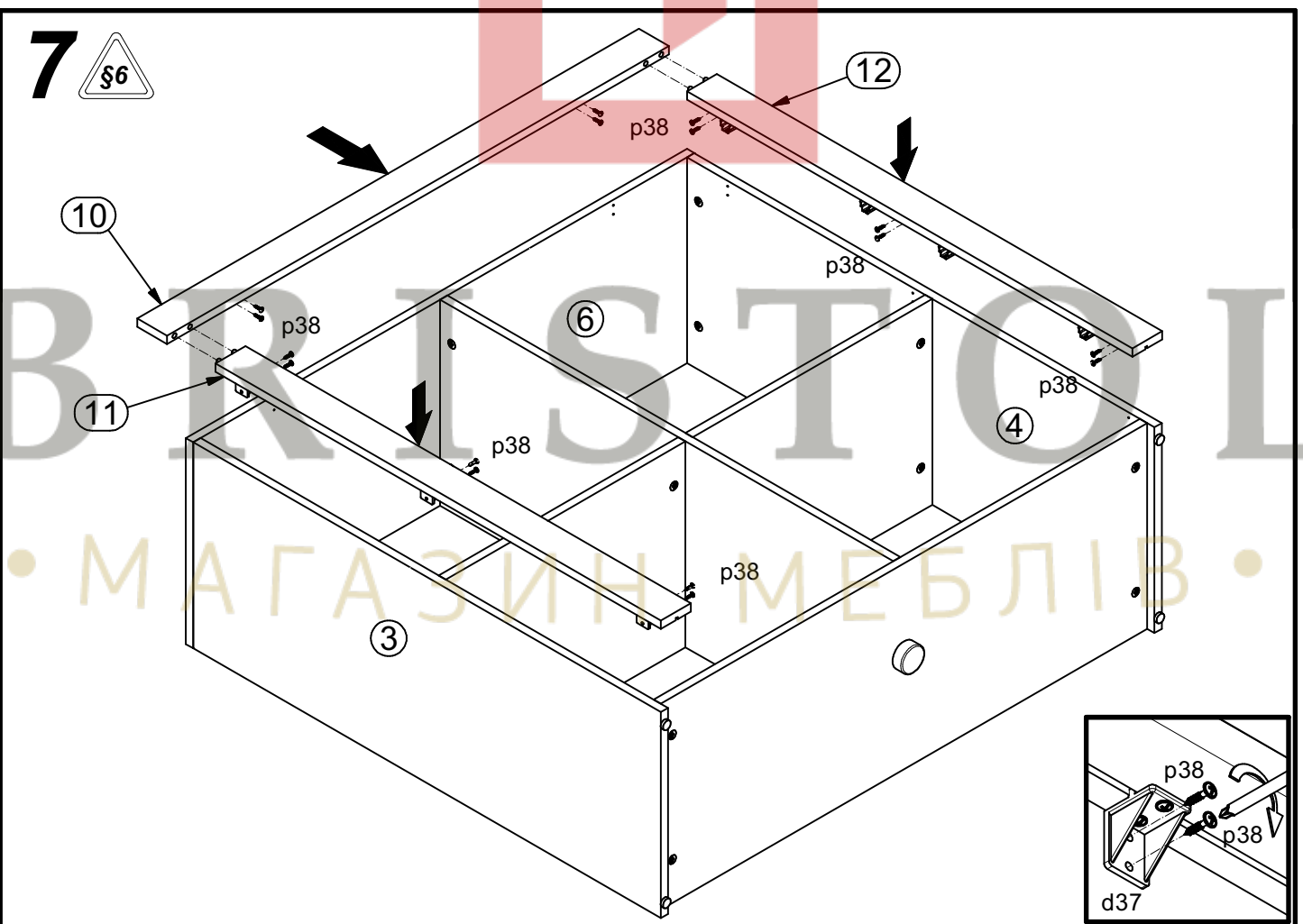
5 



6



7



8 §6

