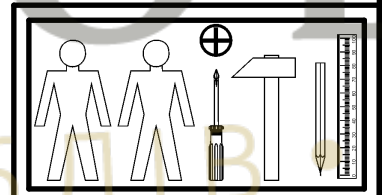
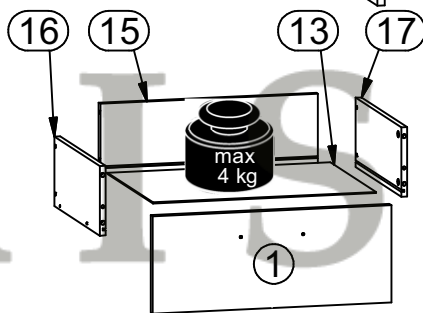
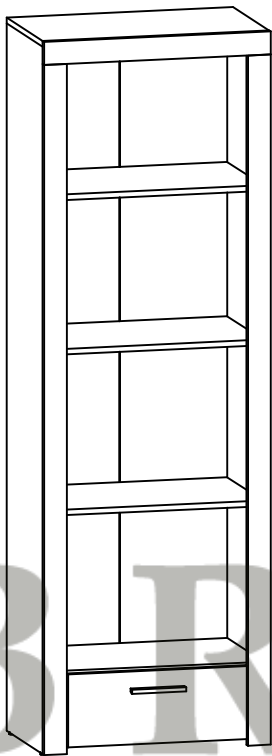
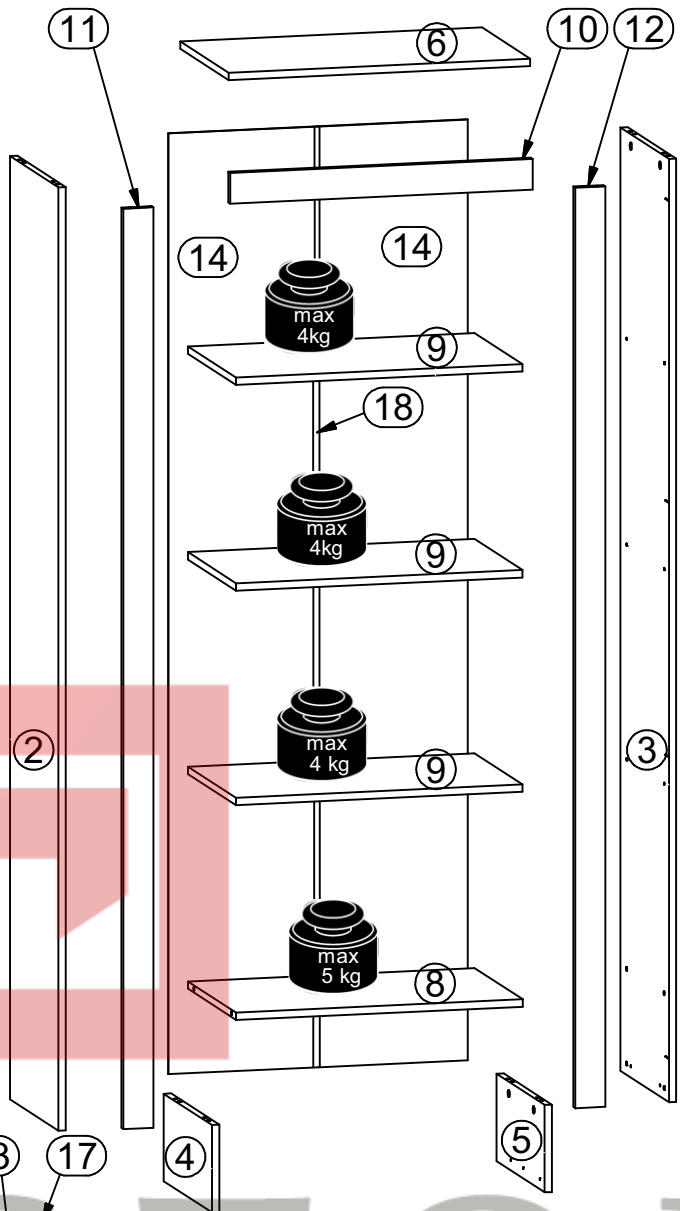
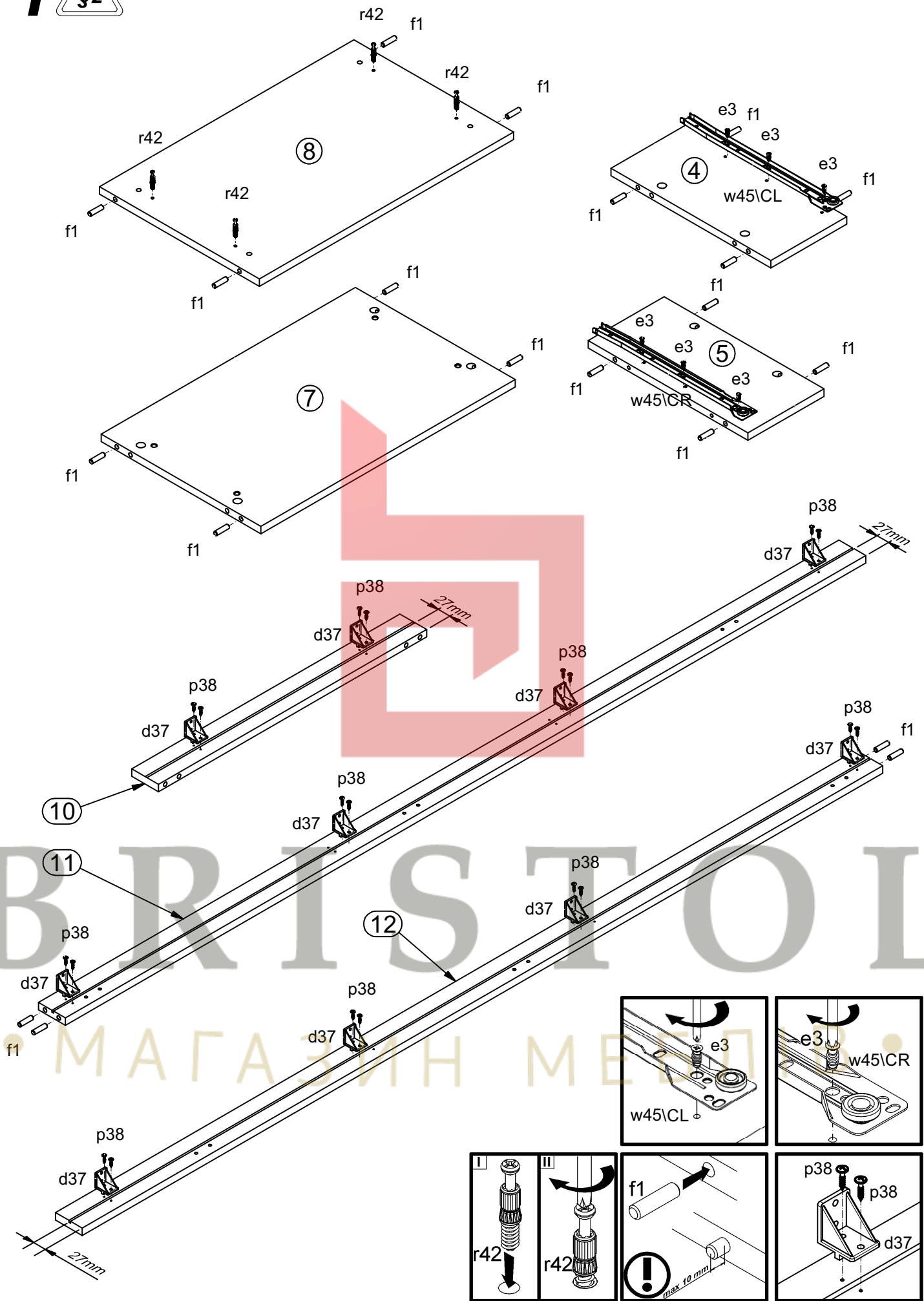


A	B	C	D
1	S382-00011	490	196 3/3
2	S382-11019	1900	370 1/3
3	S382-11020	1900	370 1/3
4	S382-11021-01	175,5	370 1/3
5	S382-11022-01	175,5	370 1/3
6	S382-22006	620	370 2/3
7	S382-33011	587	370 2/3
8	S382-33012	587	370 2/3
9	S382-33014	586	368 2/3
10	S382-55015	621	62 1/3
11	S382-55016	1855	62 1/3
12	S382-55017	1855	62 1/3
13	S382-99006	450	348 2/3
14	S382-99503	1896	615 1/3
15	ZP-5519	440	140 1/3
16	BP-511	350	140 1/3
17	BP-512	350	140 1/3
18	Lh-1863	1863	14 1/3

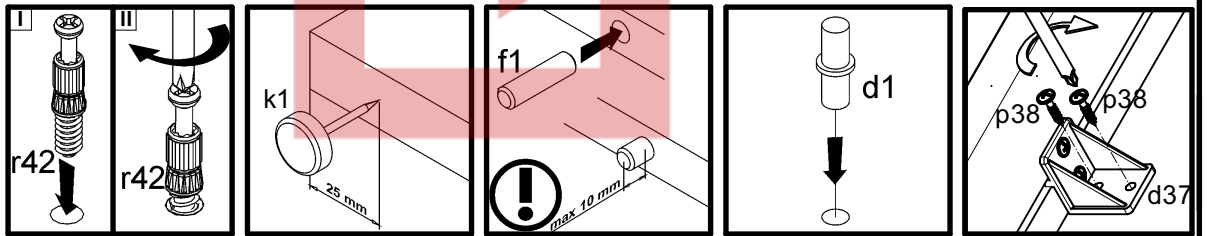
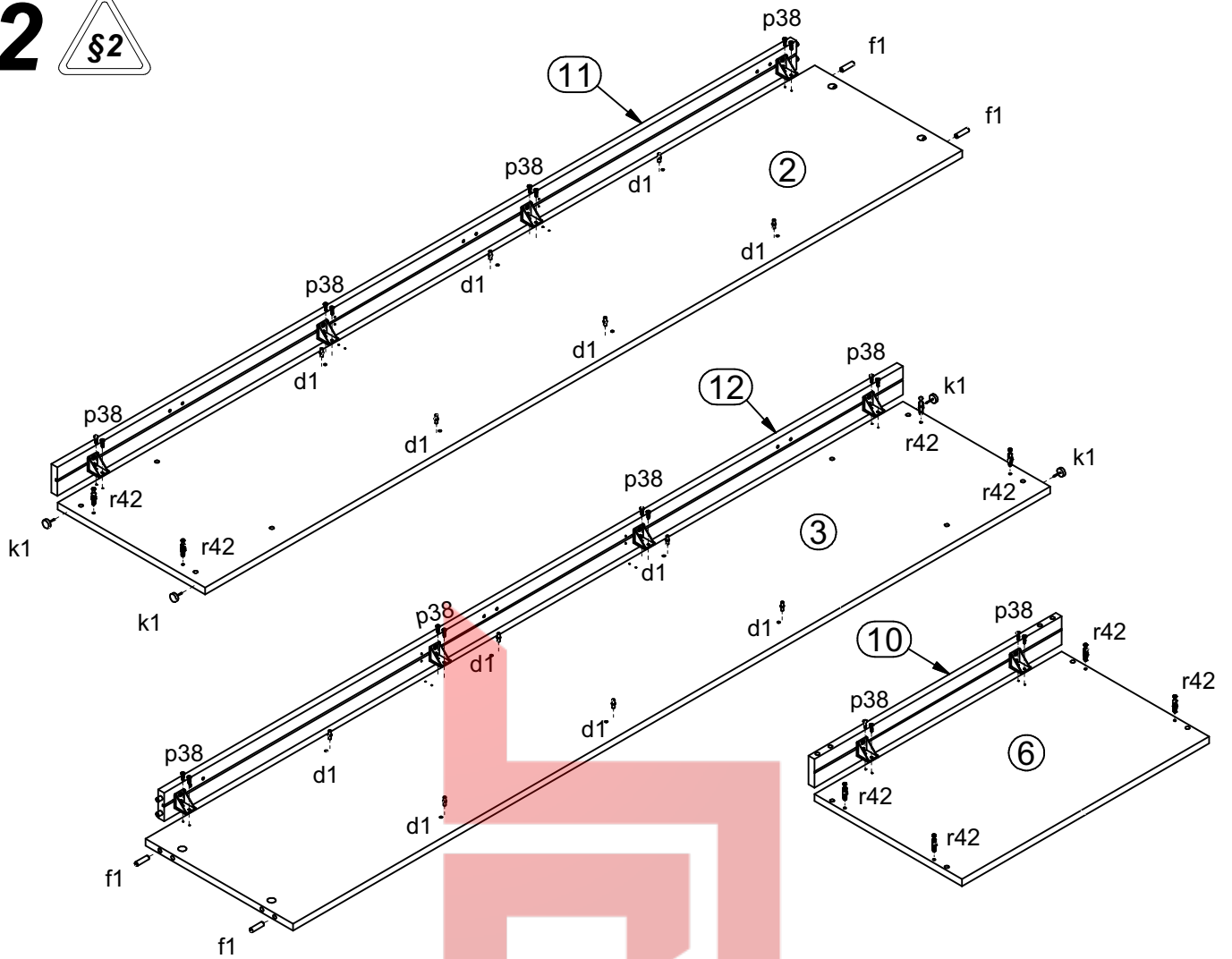


1x l28 mm c328	12x n5x17 mm d1	10x d37	4x Ø7x50 mm e1	6x Ø6x13 mm e3	4x Ø5x9 mm e19	24x Ø8x30 mm f1	2x Ø6x30 mm f9	4x Ø6,5x40 mm f25
4x k1	55x l1	40x Ø3,5x16 mm p38	2x φ4x25 mm p87	16x Ø15x12 mm #16 r1	1x 4 mm z1	16x 20/11 r42	1x 350 mm w45\CL	1x 350 mm w45\CR
1x 350 mm w45\DL	1x 350 mm w45\DR	4x Ø16 s2						
							1x n26\1	1x Ø3,5x16 mm p38

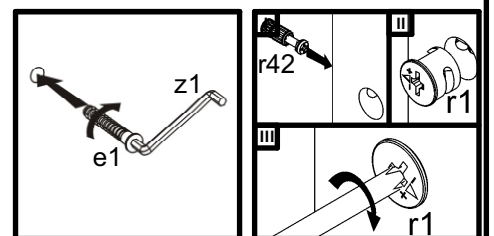
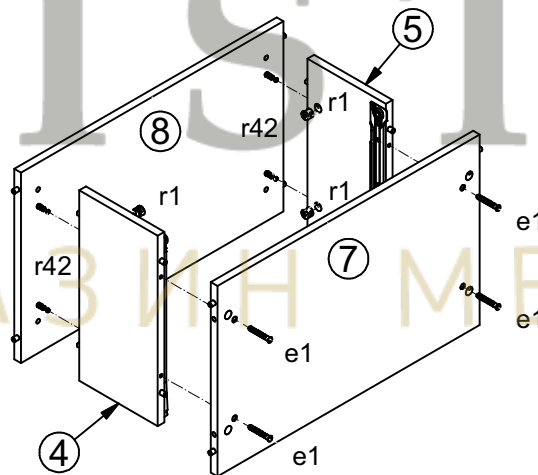
1 §2

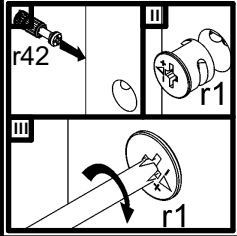
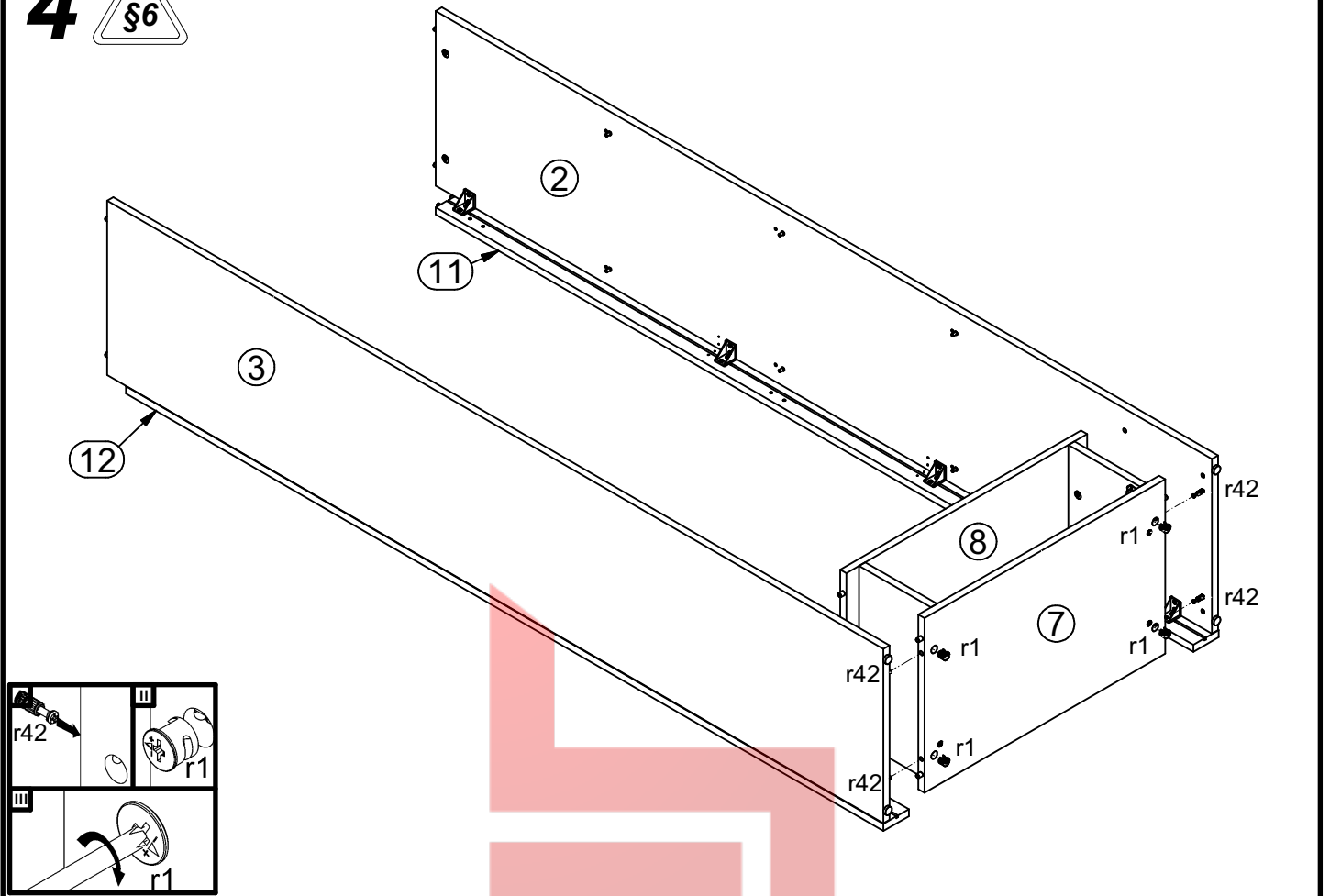
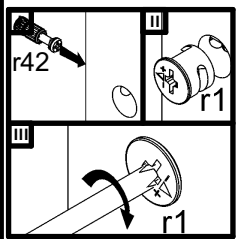
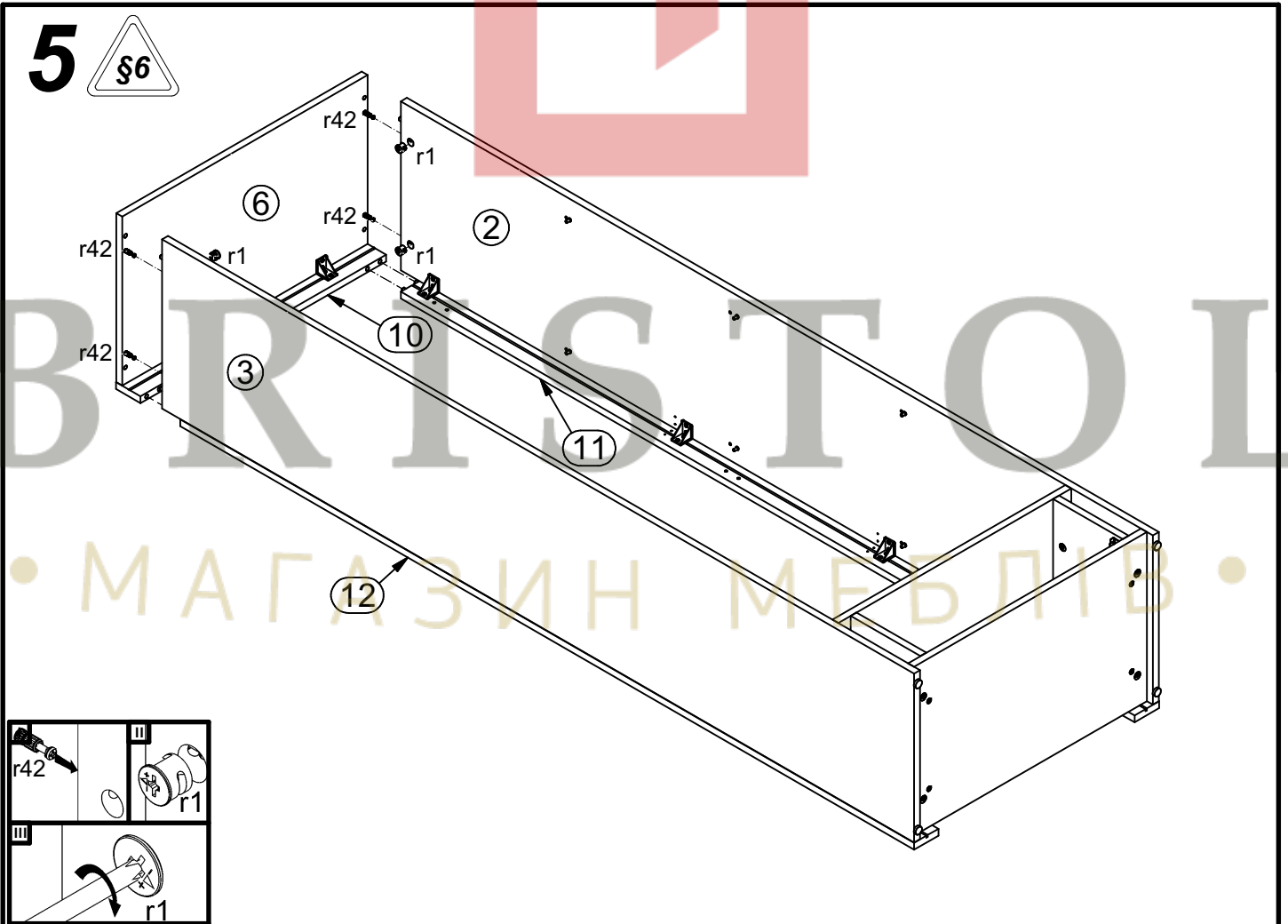


2

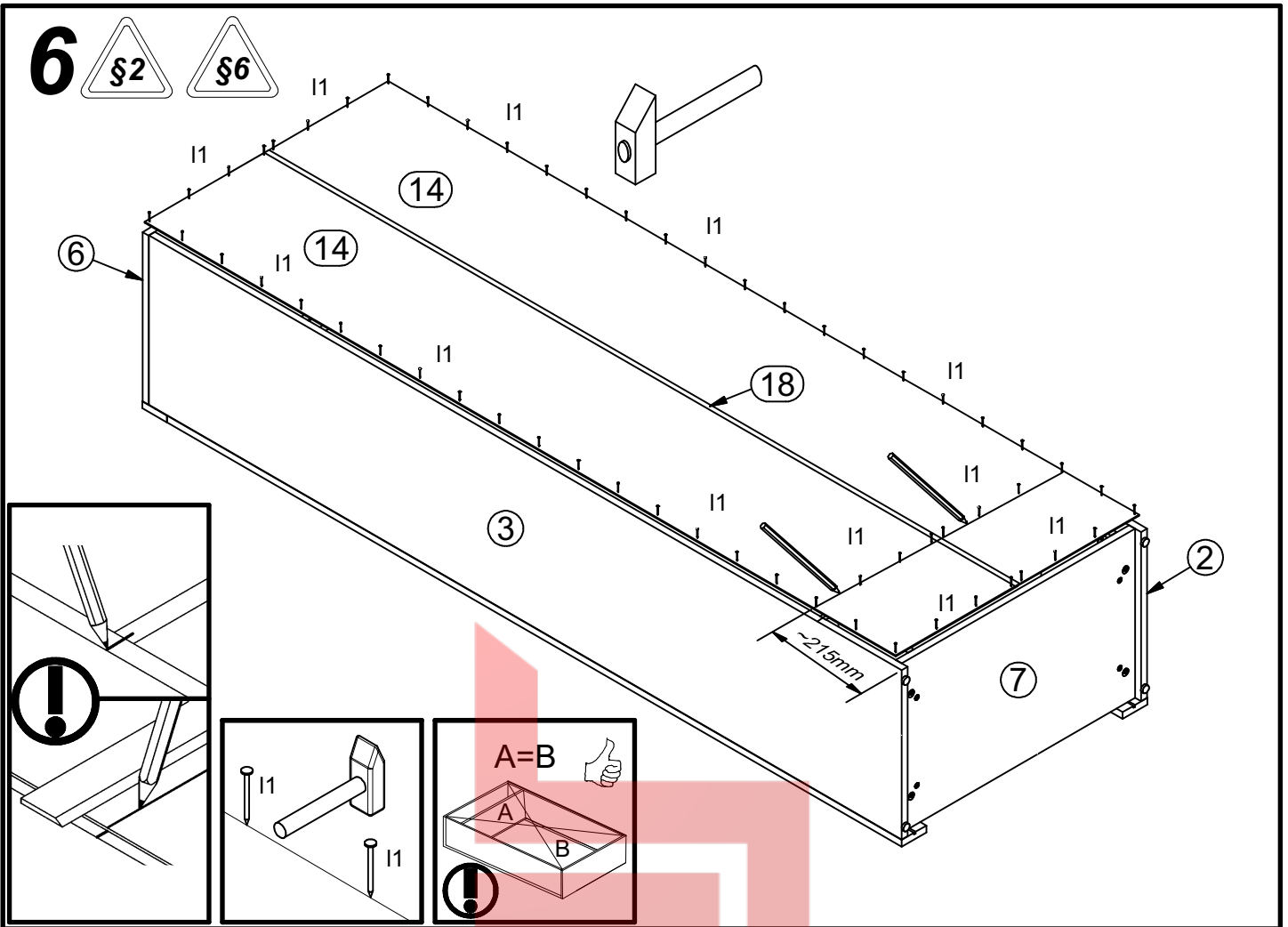


3

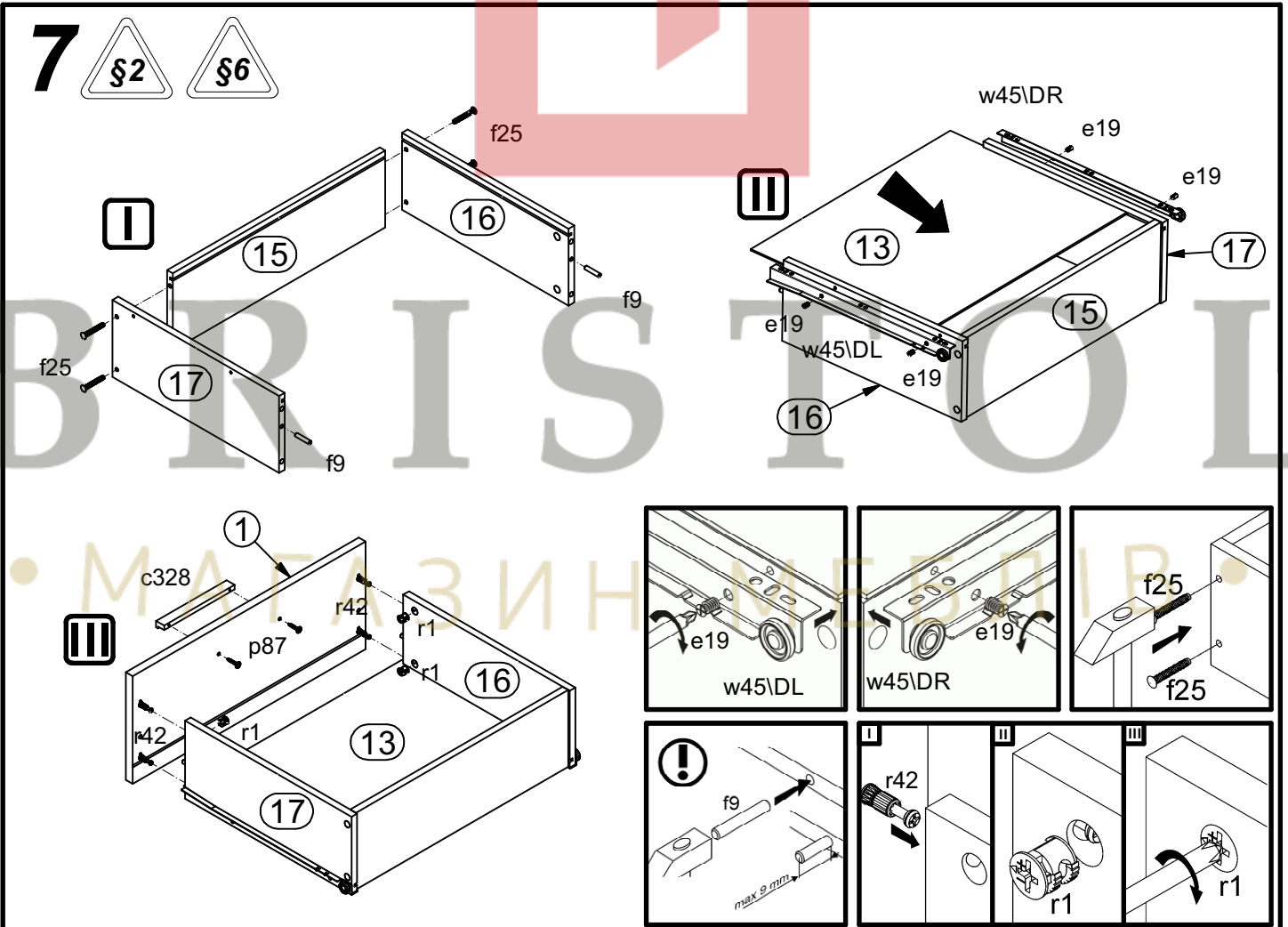


4**5**

6



7



8

