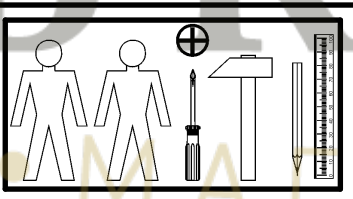
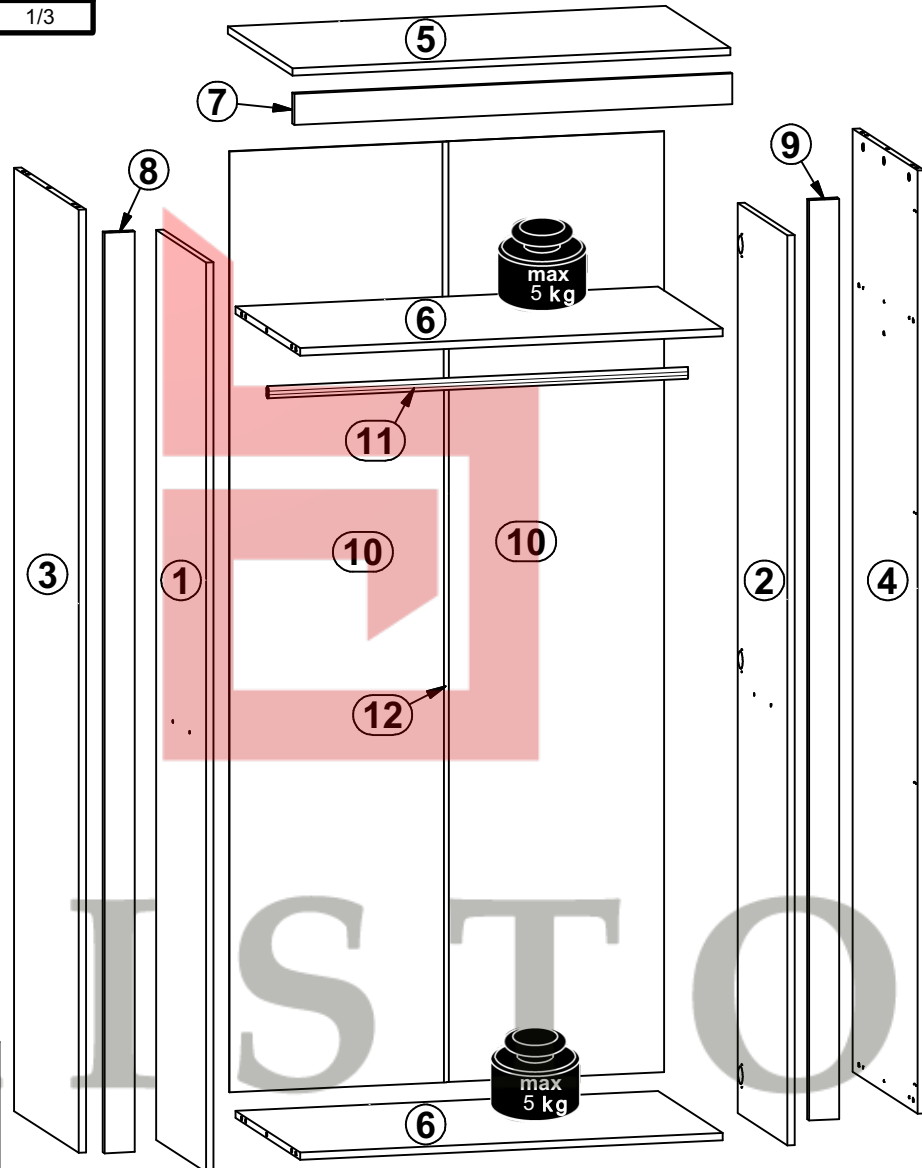
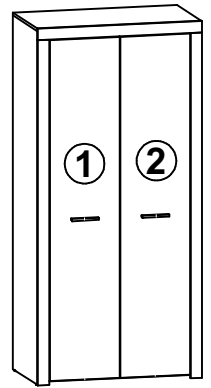


A

BONITO

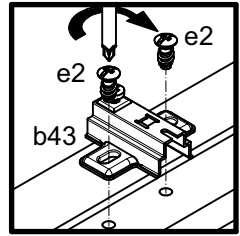
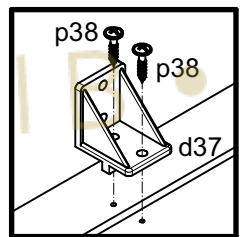
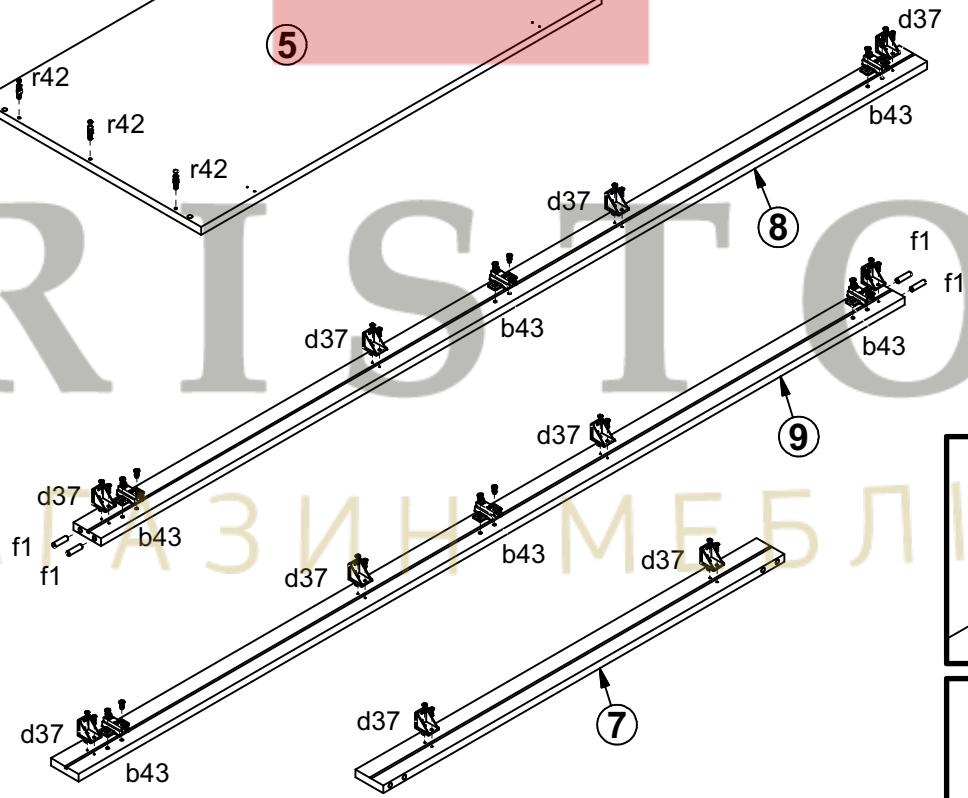
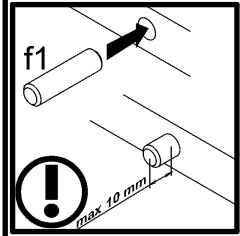
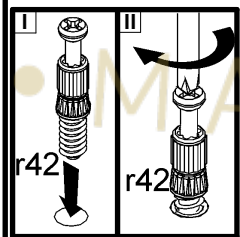
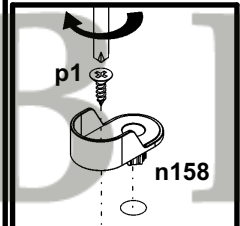
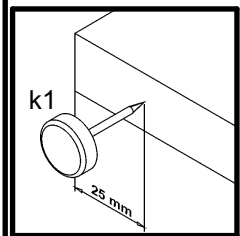
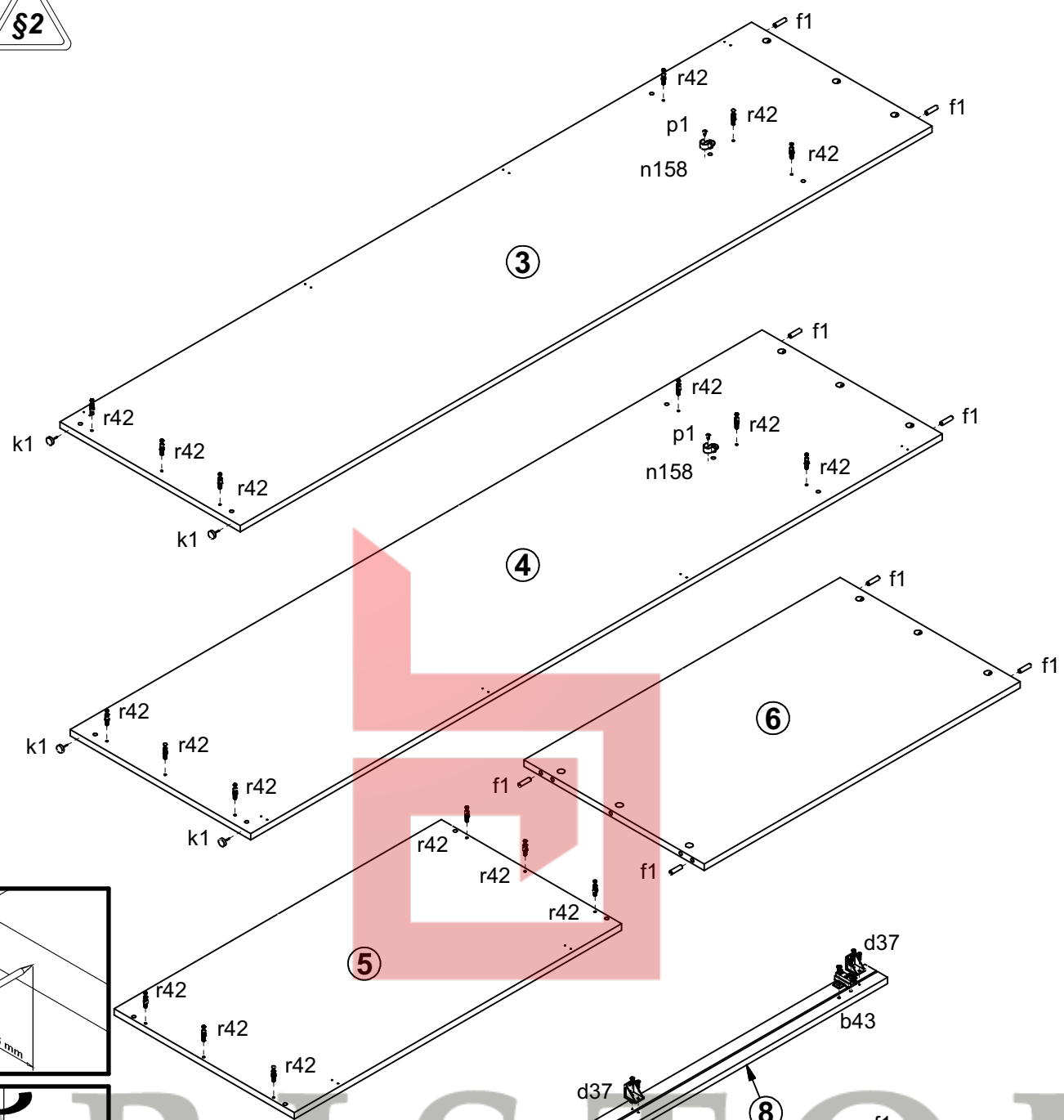
SZF2D

A	B	C	D	
1	S382-00006	1833	383	3/3
2	S382-00007	1833	383	3/3
3	S382-11011	1900	495	1/3
4	S382-11012	1900	495	1/3
5	S382-22004	899	495	1/3
6	S382-33007	866	495	1/3
7	S382-55010	900	62	2/3
8	S382-55011	1855	62	2/3
9	S382-55012	1855	62	2/3
10	S382-99502	1896	446	1/3
11	dr-860	860	30	1/3
12	Lh-1863	1863	14	1/3

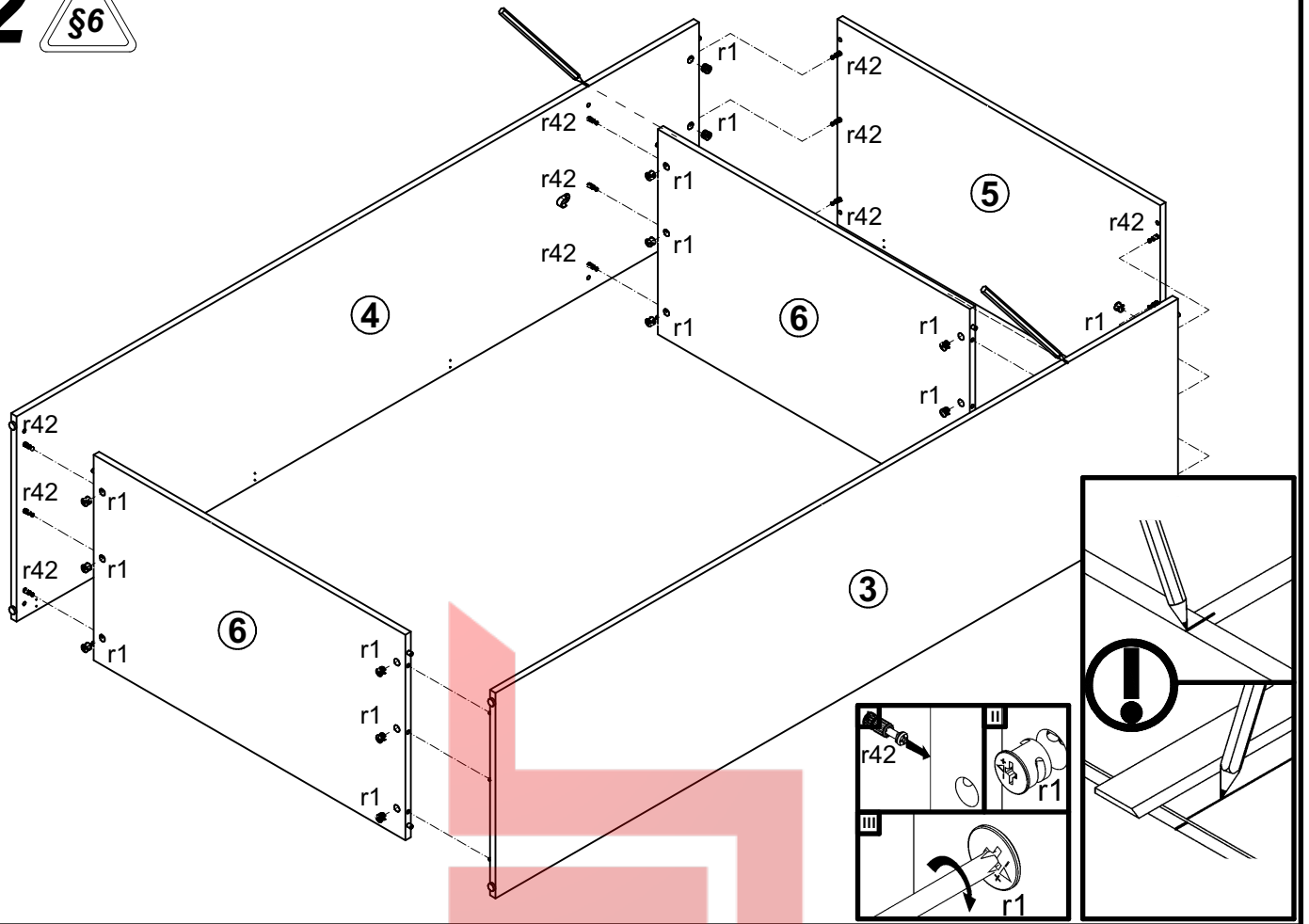


6x a132	6x b43	2x c328 128 mm	10x d37	12x e2 Ø6.3x13 mm	16x f1 Ø8x30 mm	4x k1	80x l1	2x n158
2x p1 Ø3.5x13 mm	40x p38 Ø3.5x16 mm	12x p51 Ø3.5x15 mm	4x p87 Ø4x25 mm	18x r1 Ø15x12 mm #16	18x r42 20x11	12x s2 Ø16		
							1x p38 Ø3.5x16 mm	1x n26/1

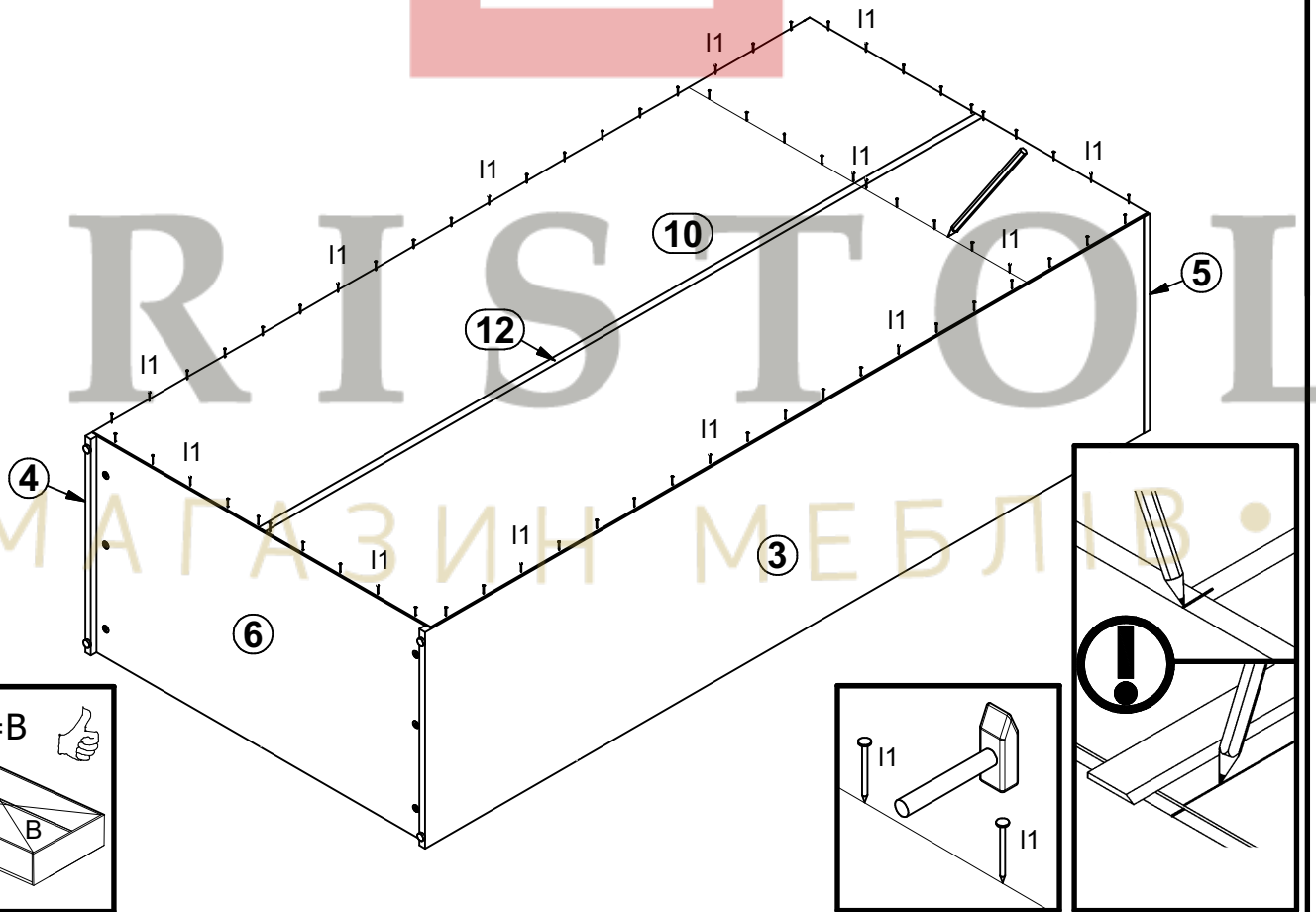
1 §2

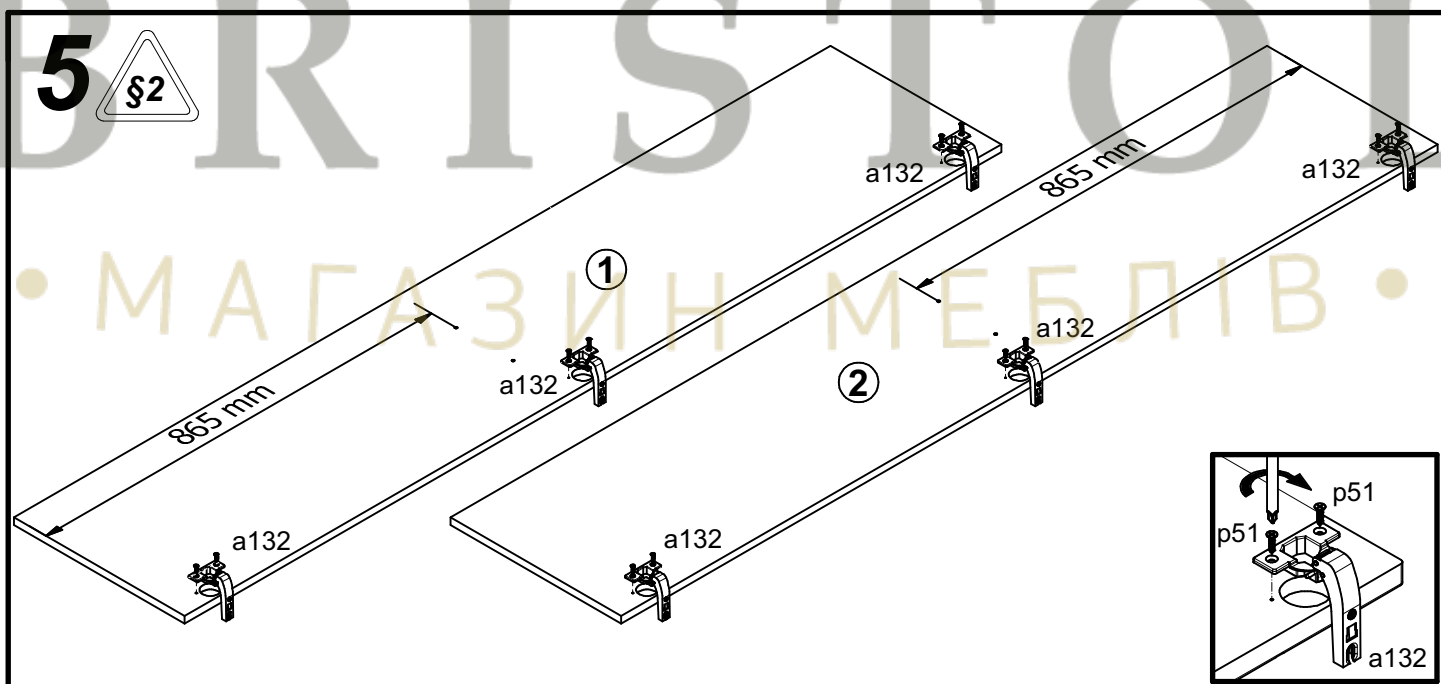
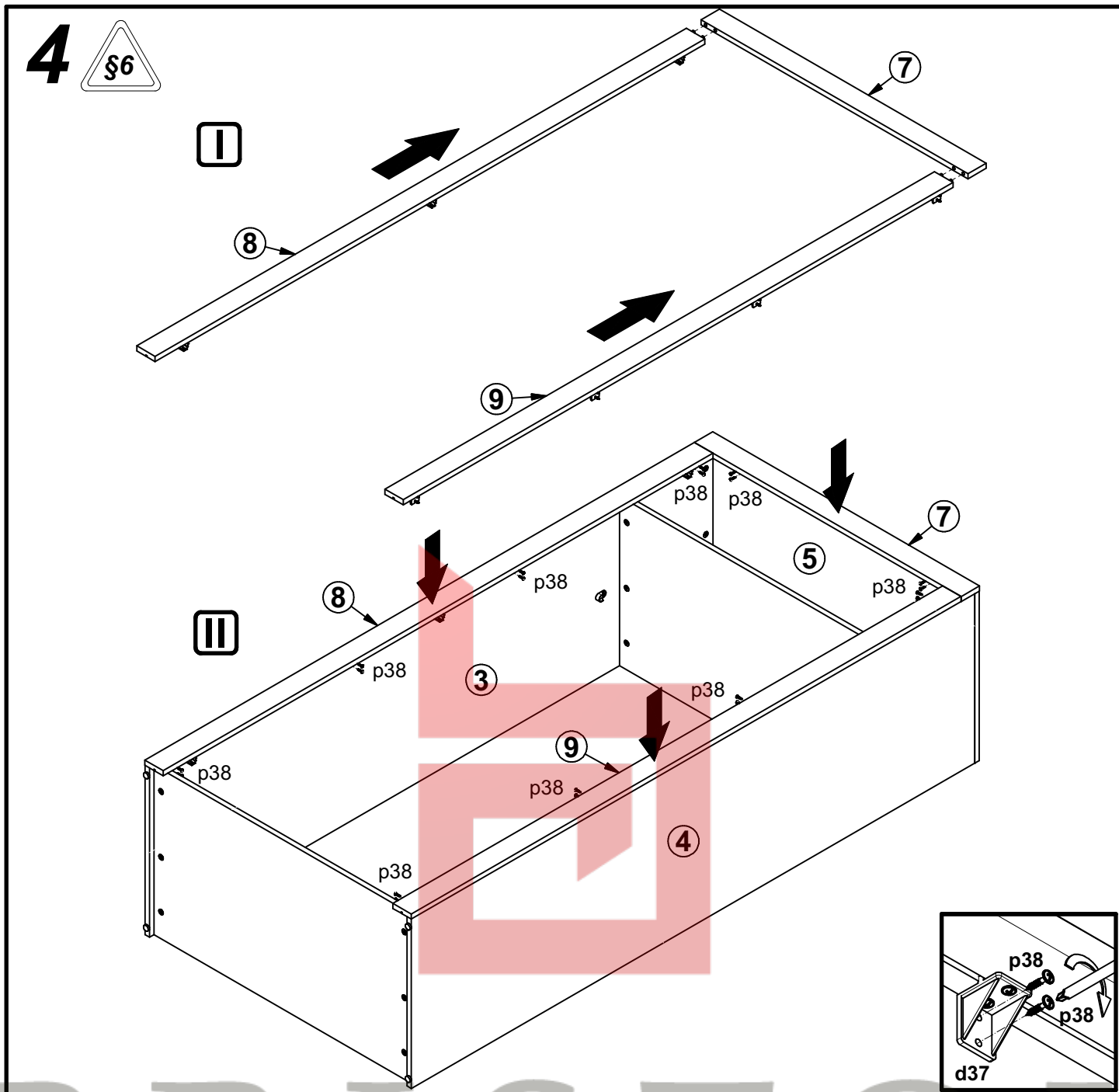


2



3





6

