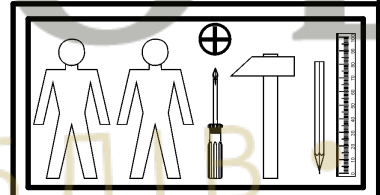
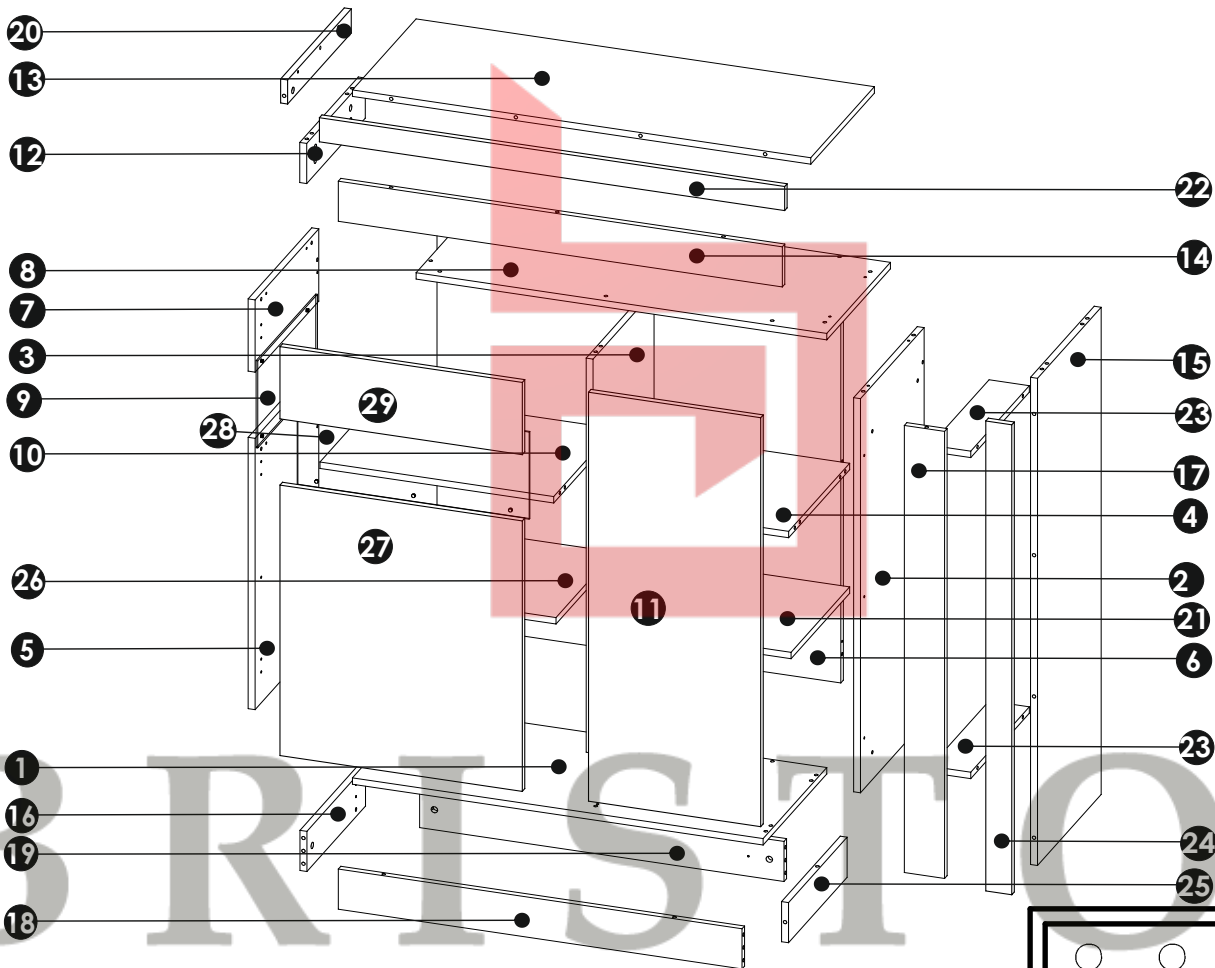
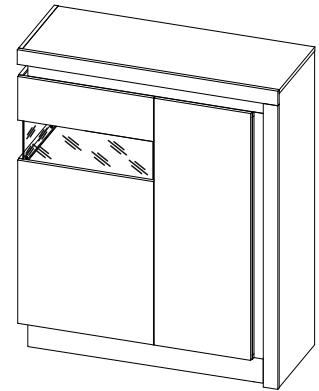
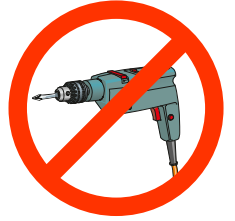
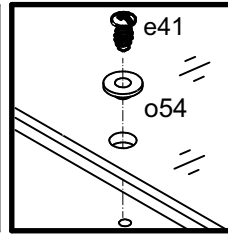
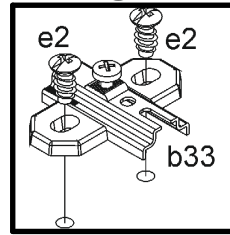
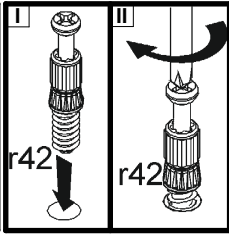
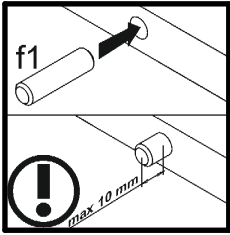
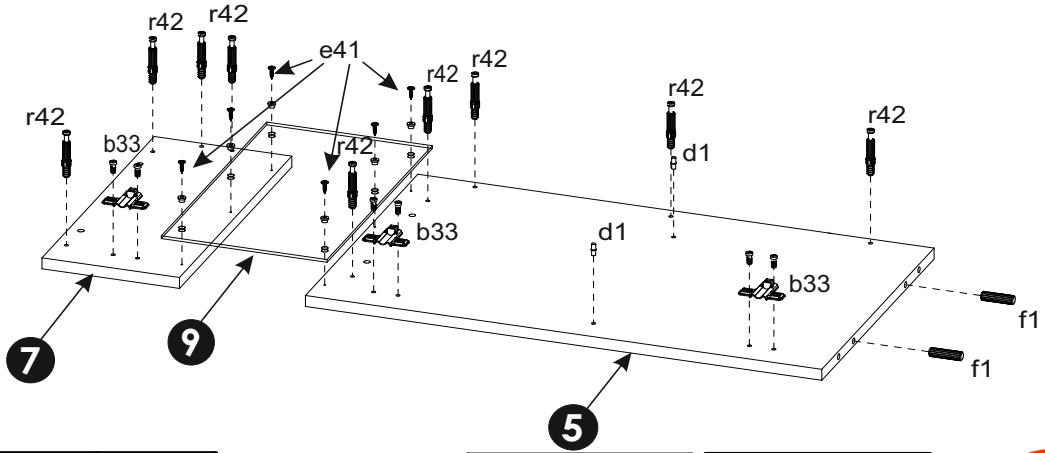


A	B	C	D	A	B	C	D		
1	N61-217	949	404	1/3	16	N61-440	372	100	1/3
2	N61-137	982	404	2/3	17	N61-546	1014	100	2/3
3	N61-128	982	382	2/3	18	N61-441	1017	100	2/3
4	N61-313	376	382	1/3	19	N61-442	1001	100	2/3
5	N61-725	657	404	3/3	20	N61-557	404	60	1/3
6	N61-439	982	917	2/3	21	N61-312	376	382	1/3
7	N61-726	404	180	3/3	22	N61-558	1066	60	1/3
8	N61-321	933	404	1/3	23	N61-547	372	100	1/3
9	N61-507	379	225	3/3	24	N61-564	1171	60	1/3
10	N61-320	524	383	1/3	25	N61-435	324	100	1/3
11	N61-007	1018	399	2/3	26	N61-316	523	382	1/3
12	N61-542	372	100	1/3	27	N61-730	673	544	3/3
13	N61-218	1049	404	1/3	28	N61-549	518	225	3/3
14	N61-556	1017	100	2/3	29	N61-729	544	180	3/3
15	N61-127	1214	404	1/3					

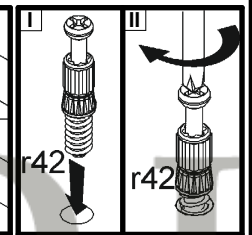
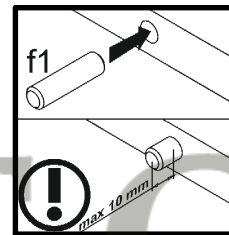
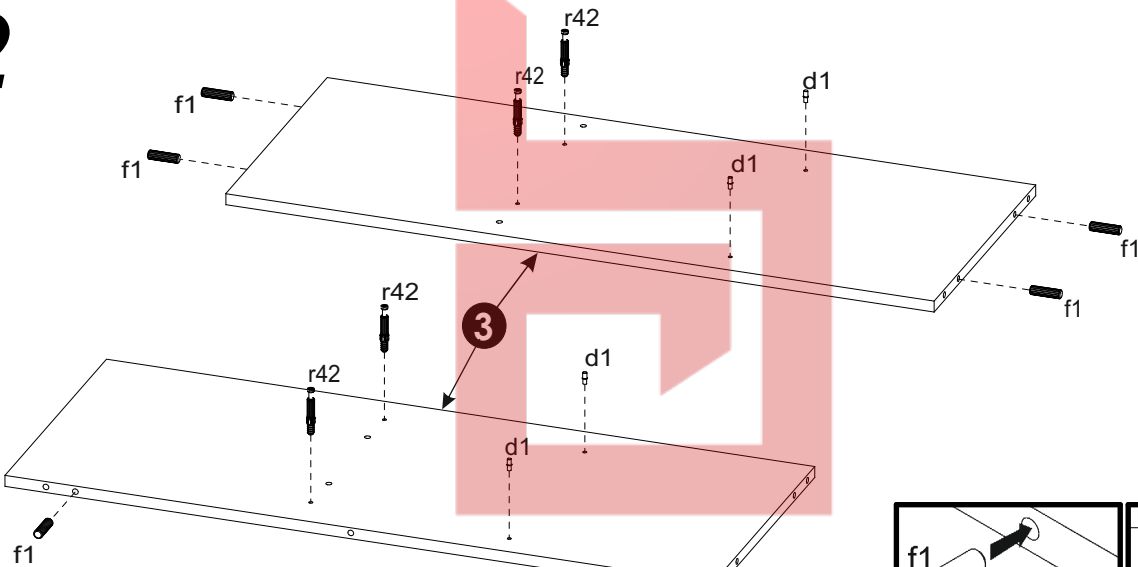


5x  a44	5x  b33	10x  Ø3,5x15 mm p51	12x  Ø5x12 mm e41	12x  Ø5,3/Ø8,3x4,8mm o54	70x  Ø8x30 mm f1	6x  Ø5x17 mm k1	8x  Ø5x17 mm d1	4x  silikon o21
67x  Ø15x12 mm #16 r1	65x  20/11 r42	1x  r10	24x  Ø7x50 mm e1	1x  Ø10x50 mm f35	1x  Ø5x60 mm p17	1x  81x21x15/1,5mm n14	2x  Ø3,5x16 mm p38	10x  Ø16 s2
1x  o60/1	1x  o60/2	1x  L=1450 mm o83	1x  L=1150 mm o83	1x  o43/6.3				
								1x  4 mm z1

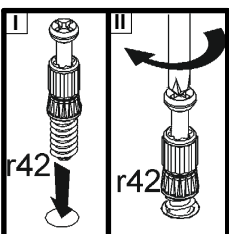
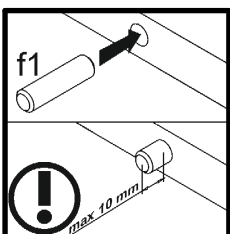
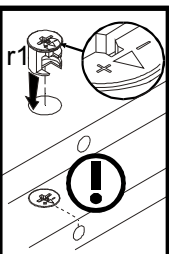
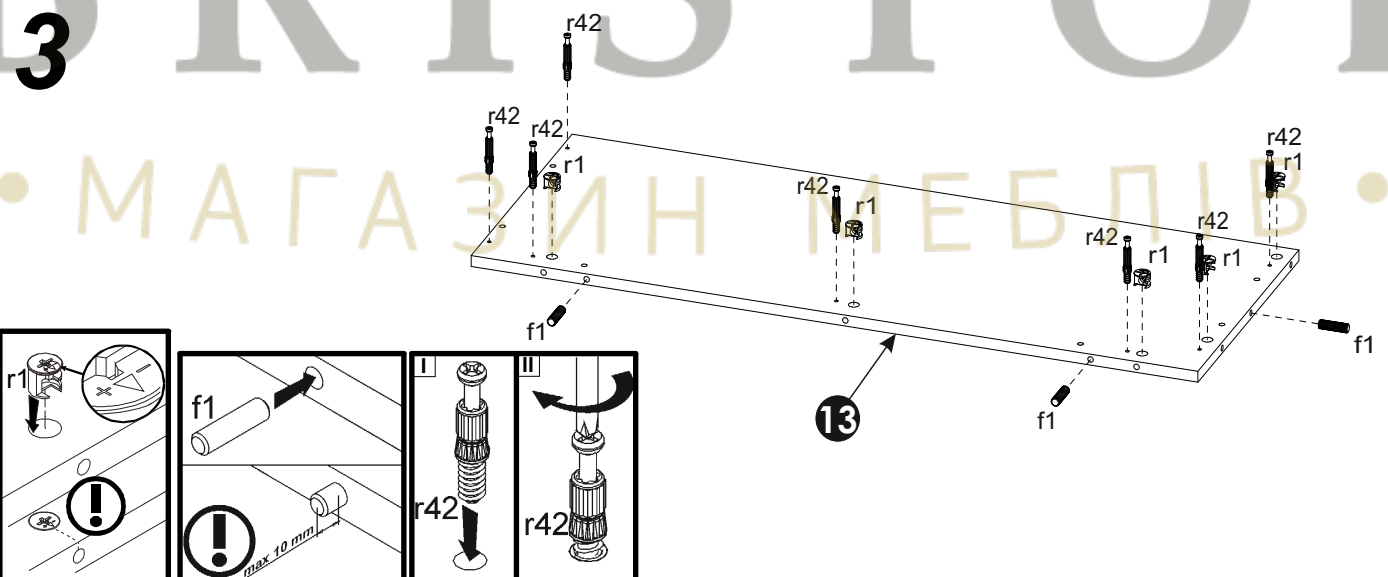
# 1



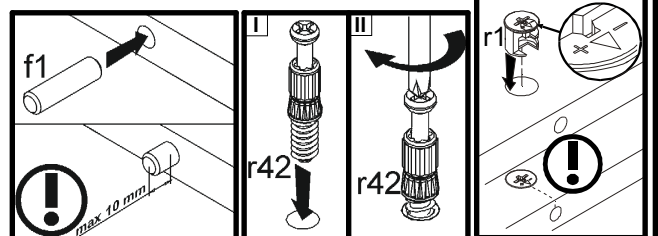
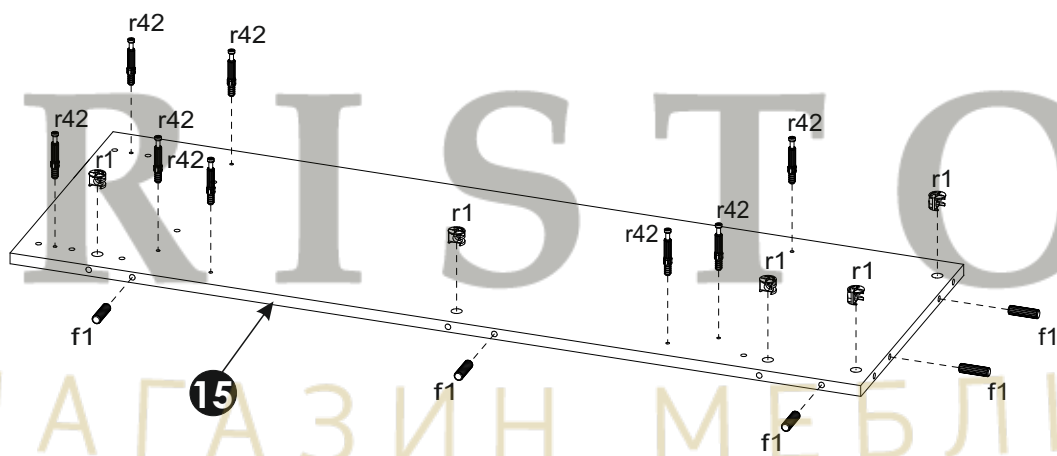
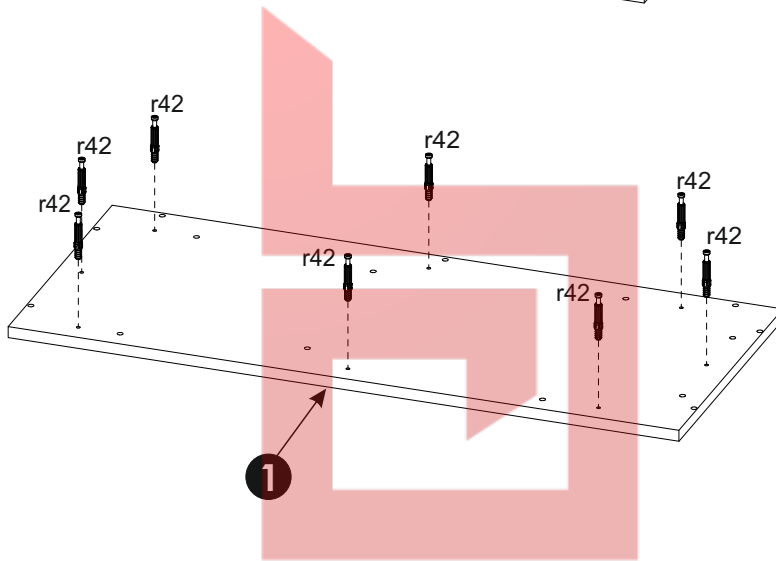
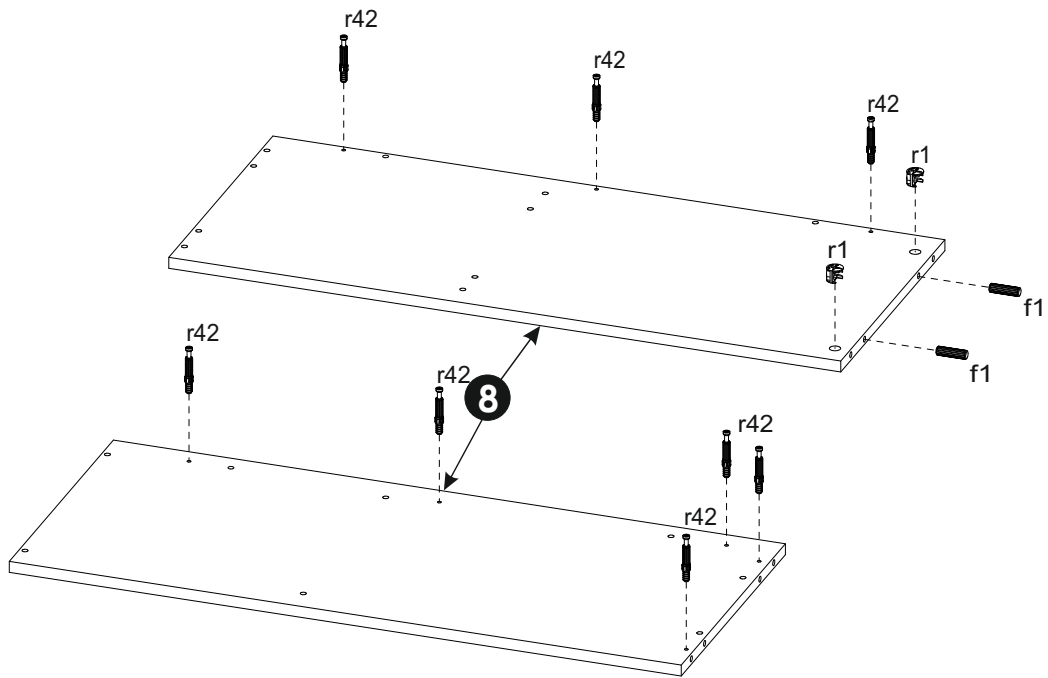
# 2



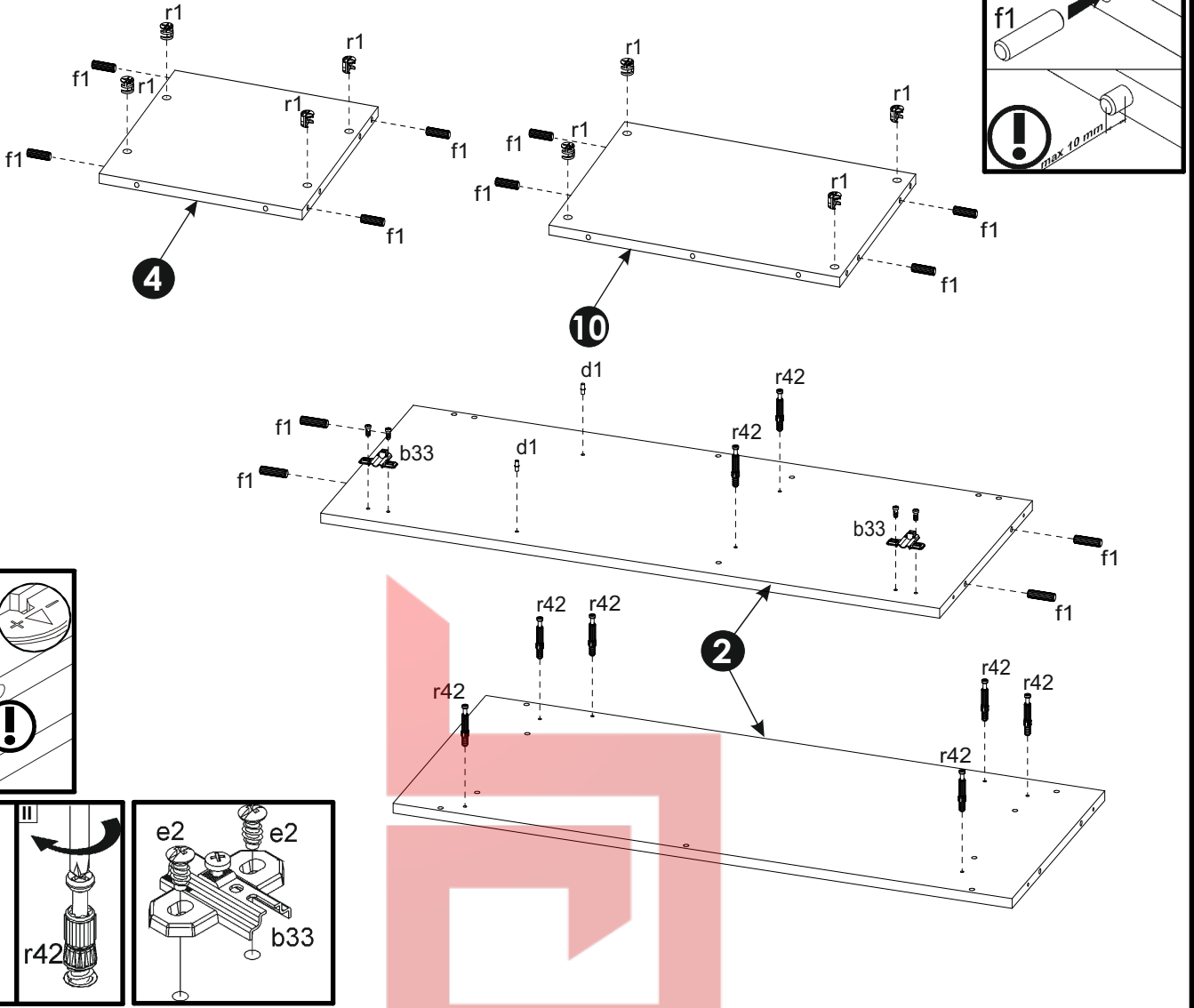
# 3



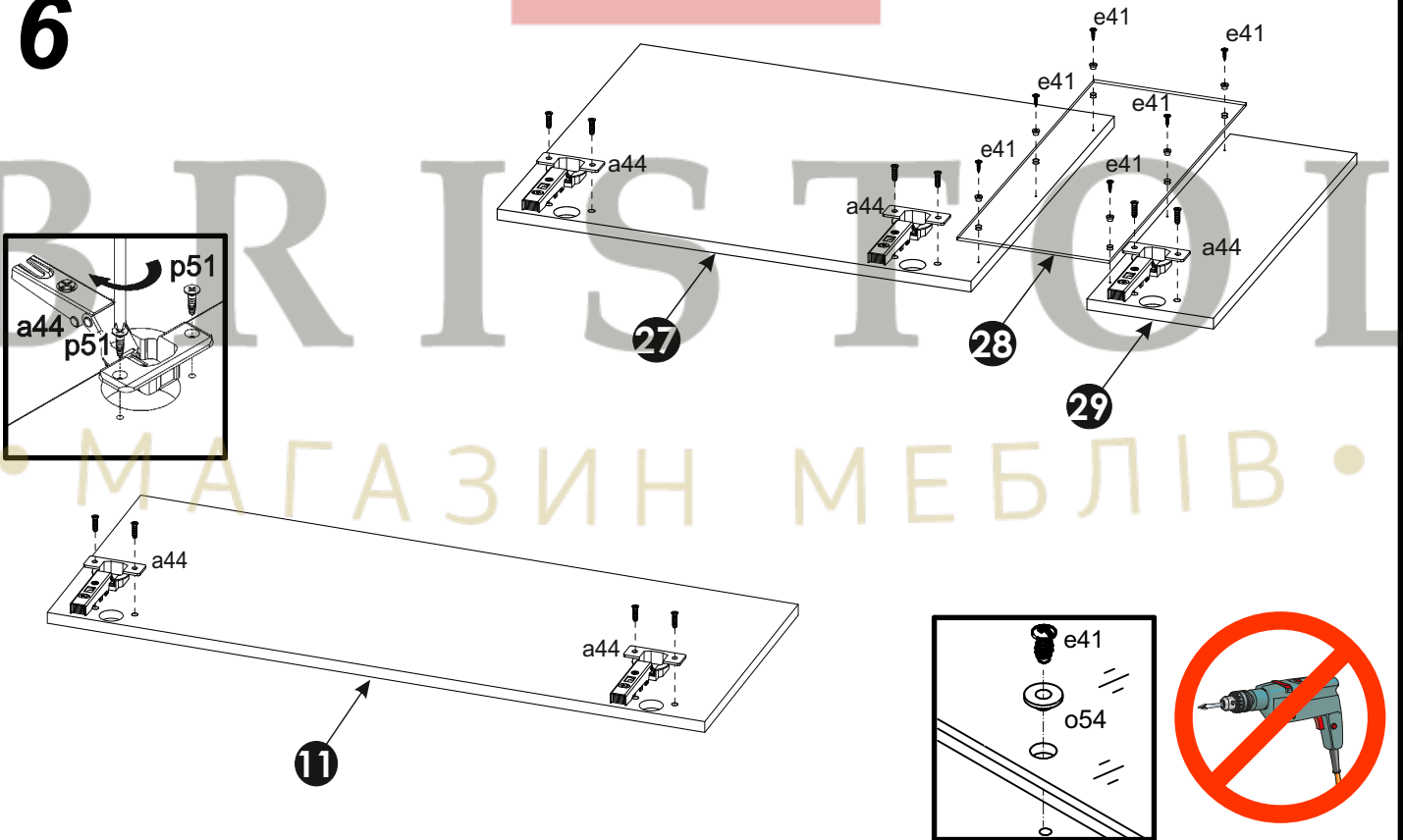
# 4



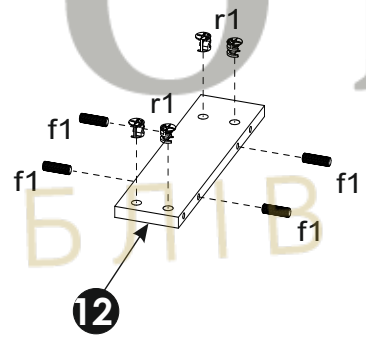
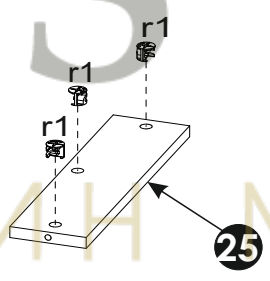
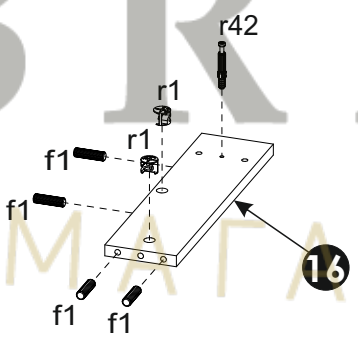
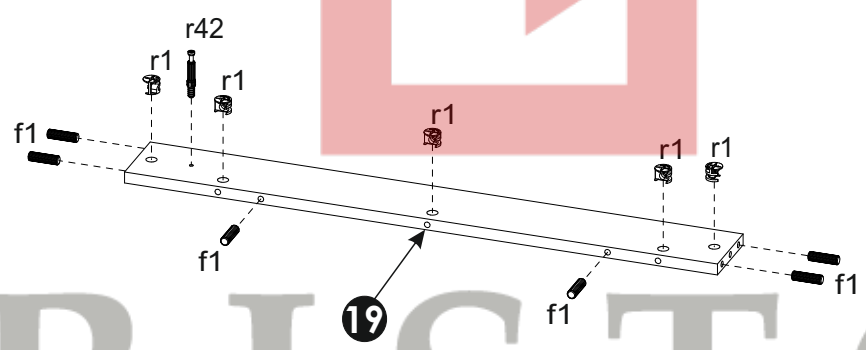
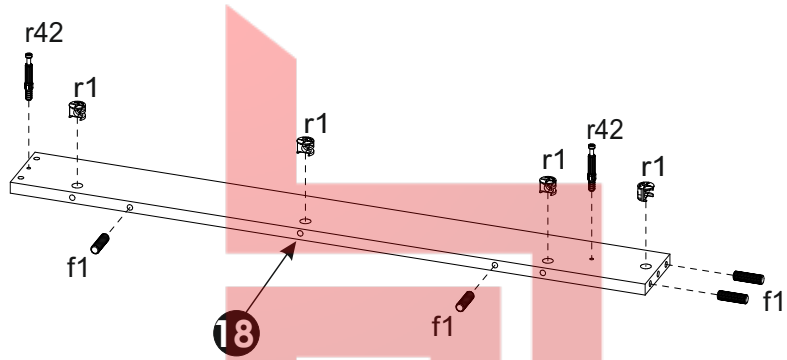
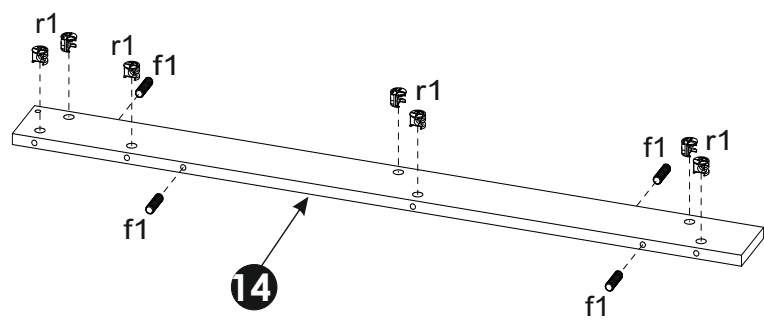
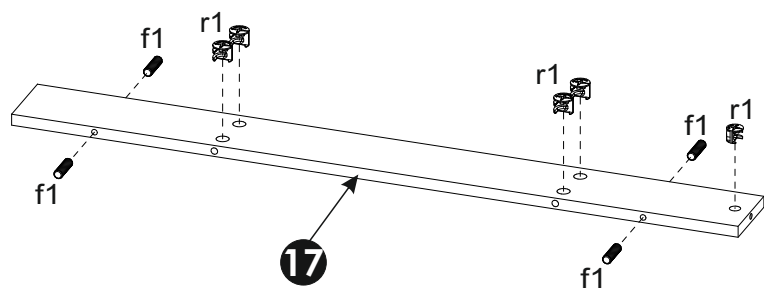
# 5



# 6

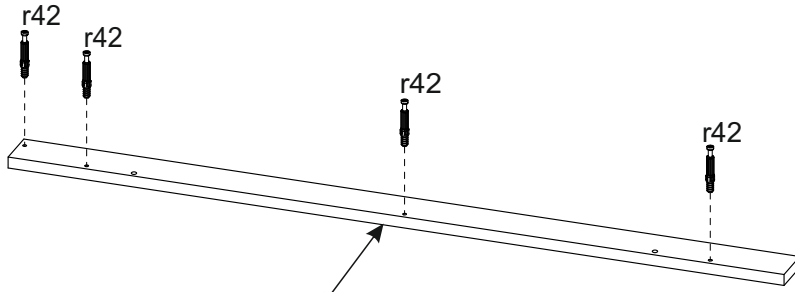


7

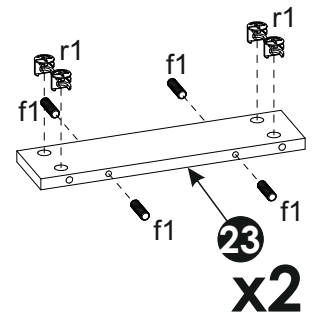


This block contains detailed assembly instructions for the screws used in the diagrams. It includes three sub-diagrams: 1) A close-up of screw 'f1' being inserted into a hole, with a warning icon and the text 'max 10 mm'. 2) A close-up of screw 'r42' being inserted into a hole, with a warning icon and the text 'max 10 mm'. 3) A close-up of screw 'r1' being inserted into a hole, with a warning icon and the text 'max 10 mm'. A large exclamation mark icon is also present.

8

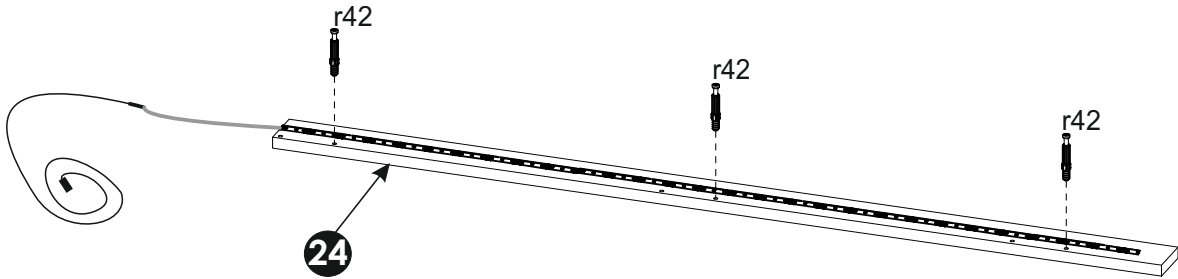


22

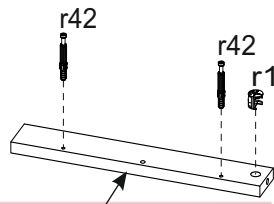


23

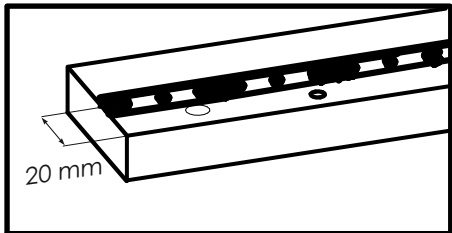
x2



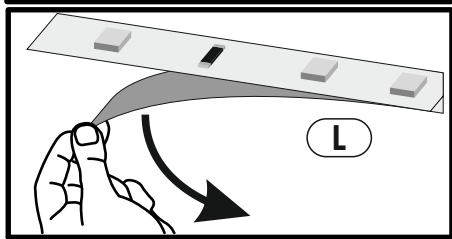
24



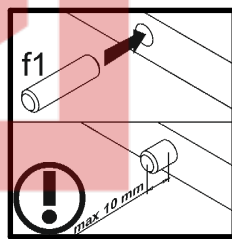
20



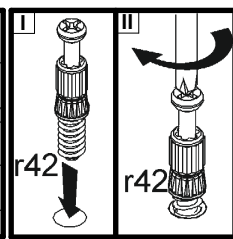
20 mm



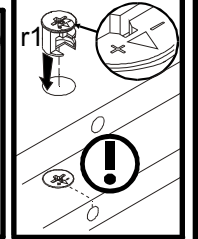
L



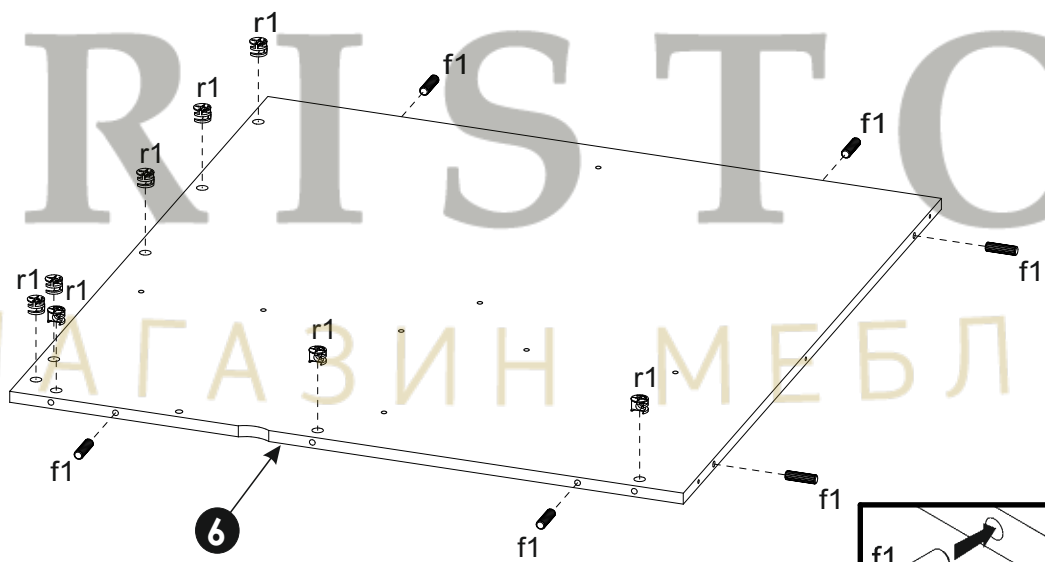
max 10 mm



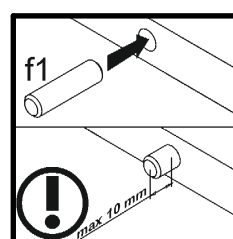
max 10 mm



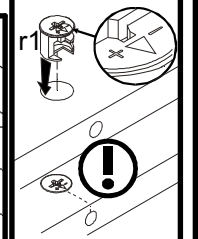
9



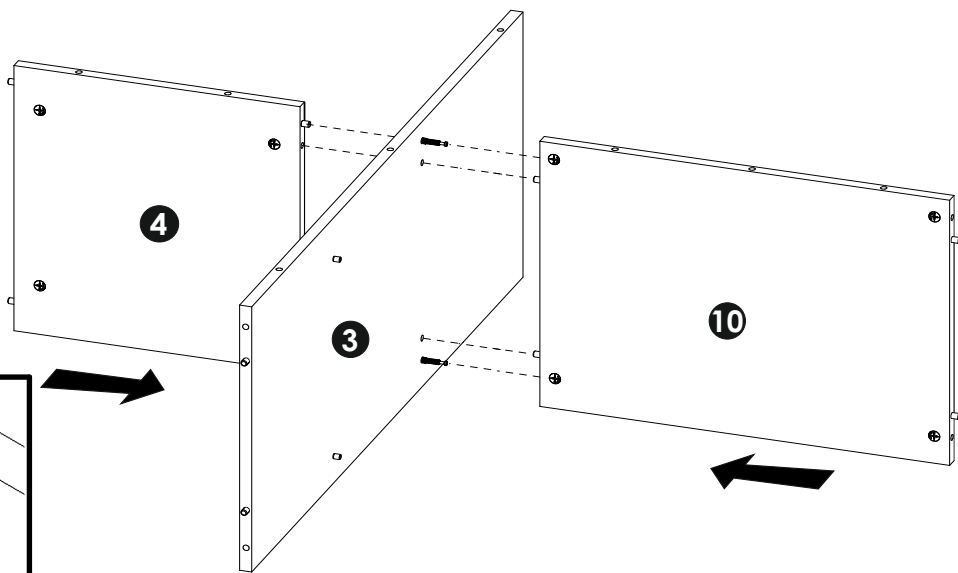
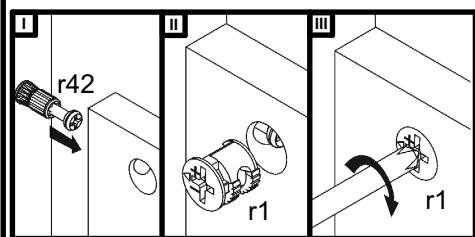
6



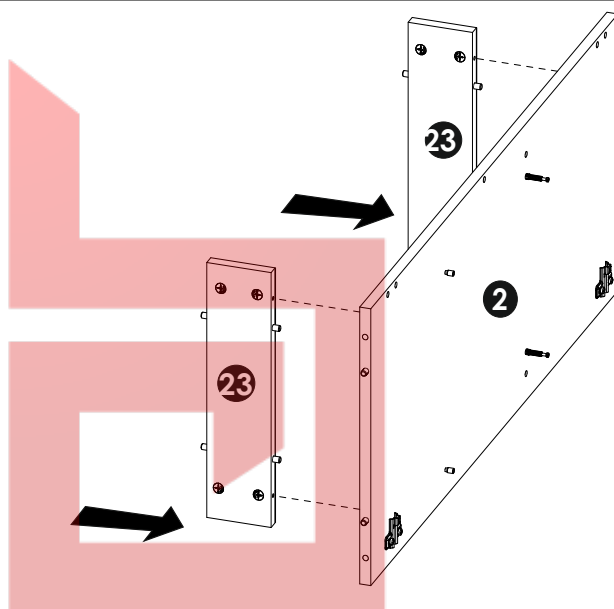
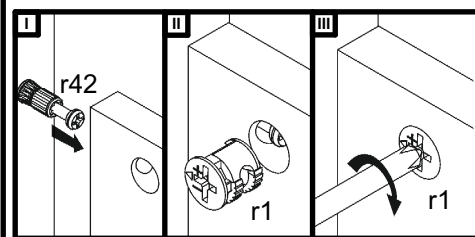
max 10 mm



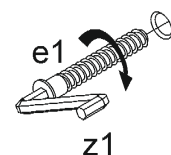
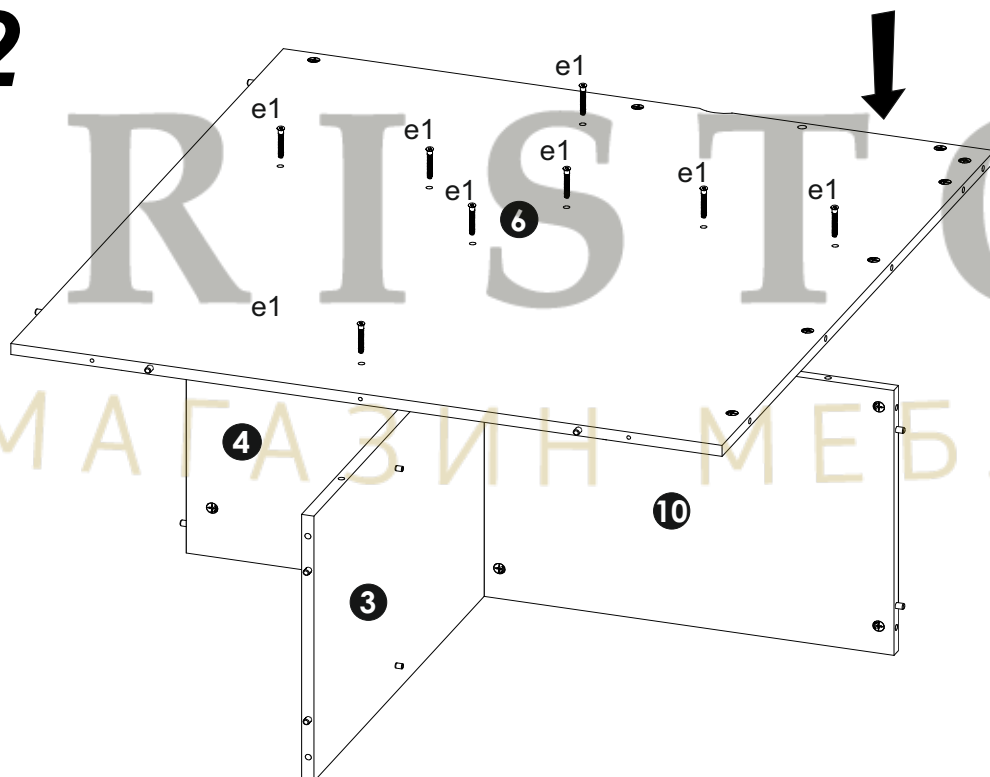
# 10



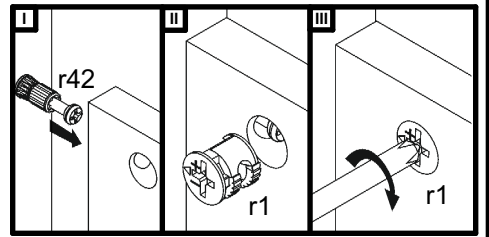
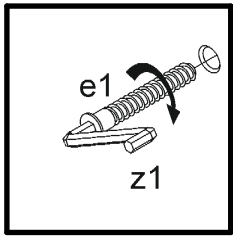
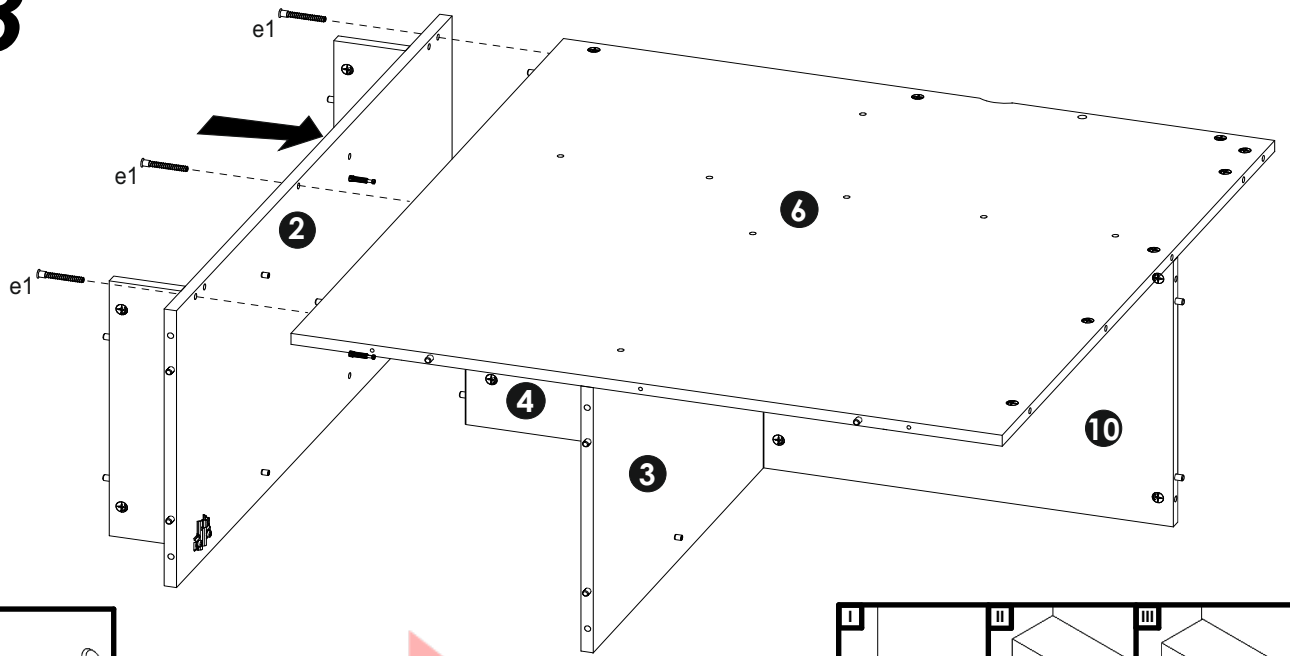
# 11



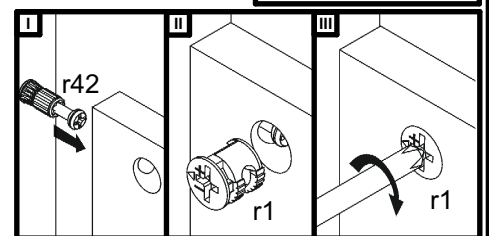
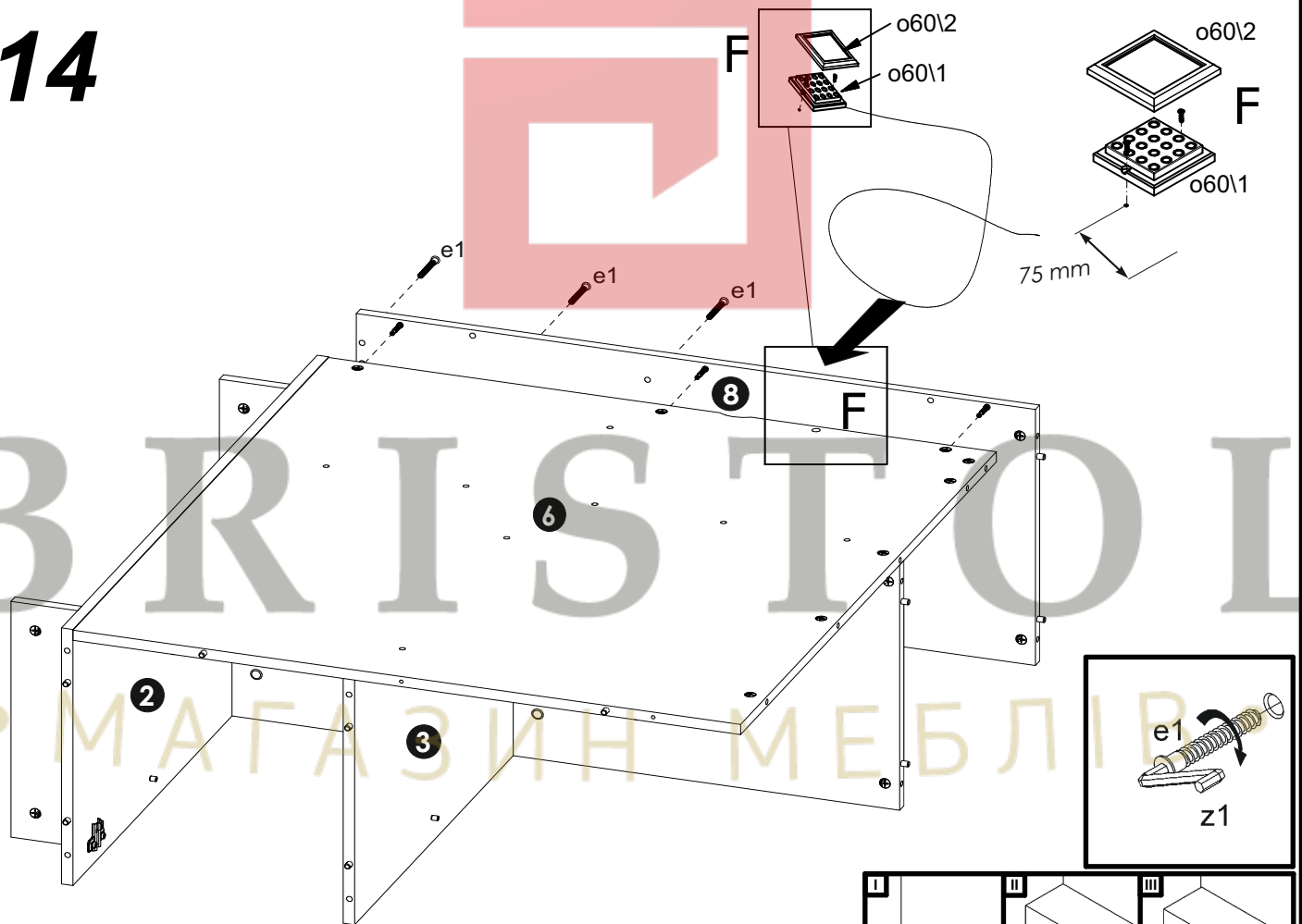
# 12



# 13

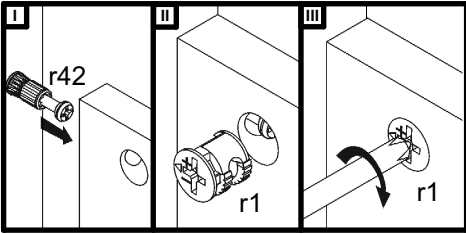
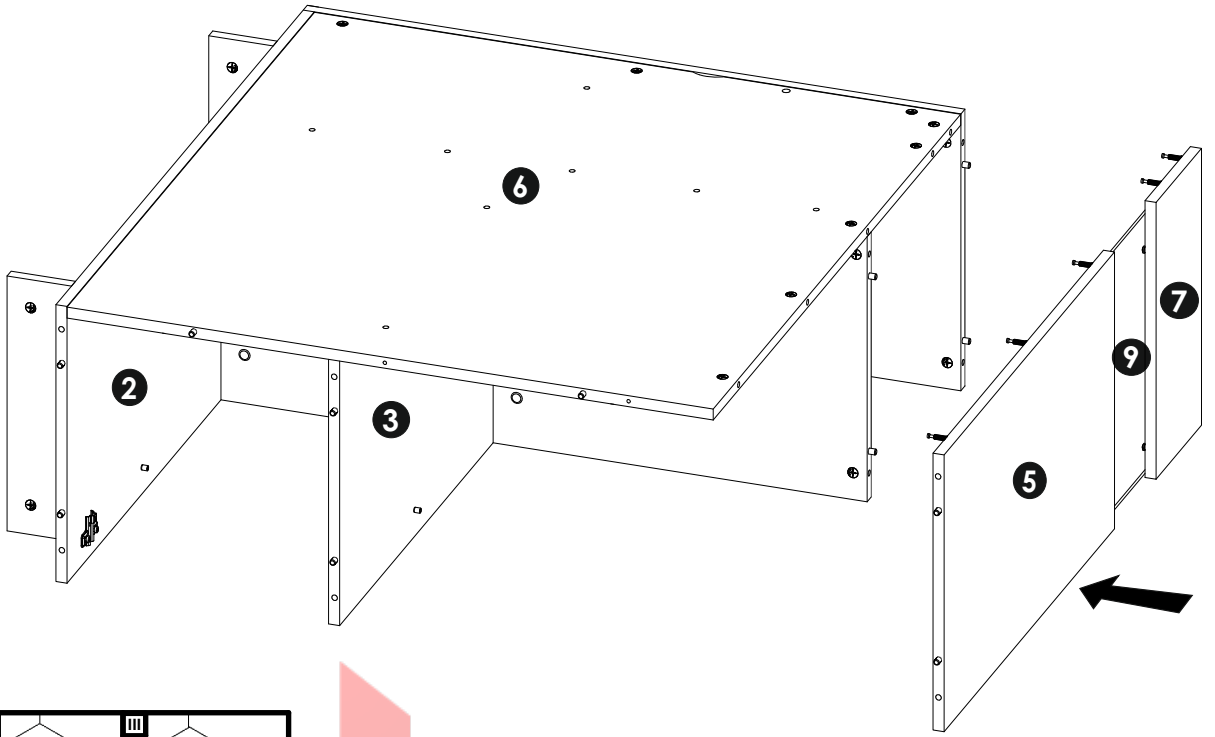


# 14

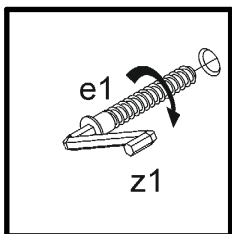
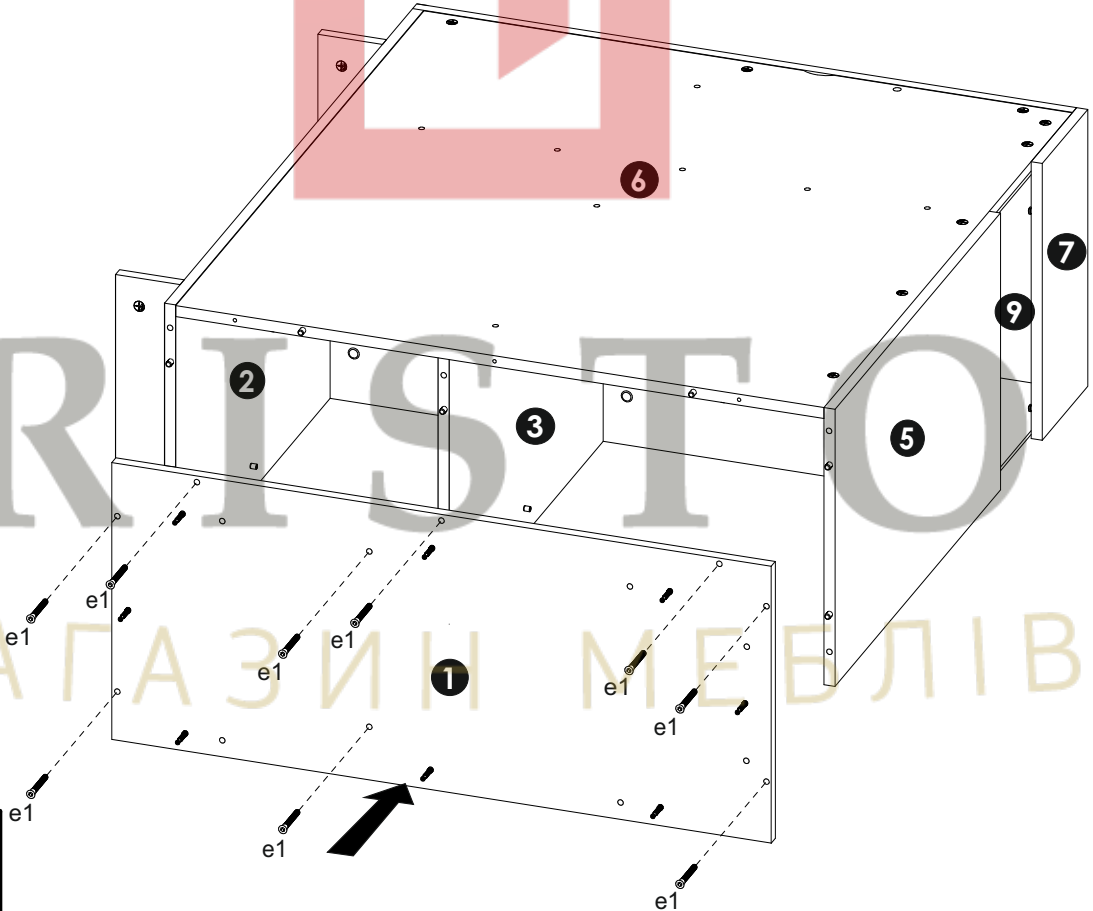




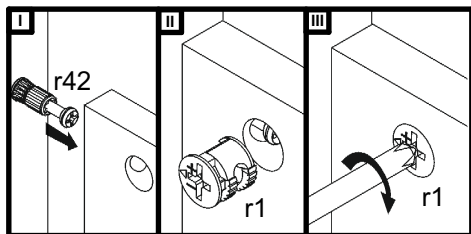
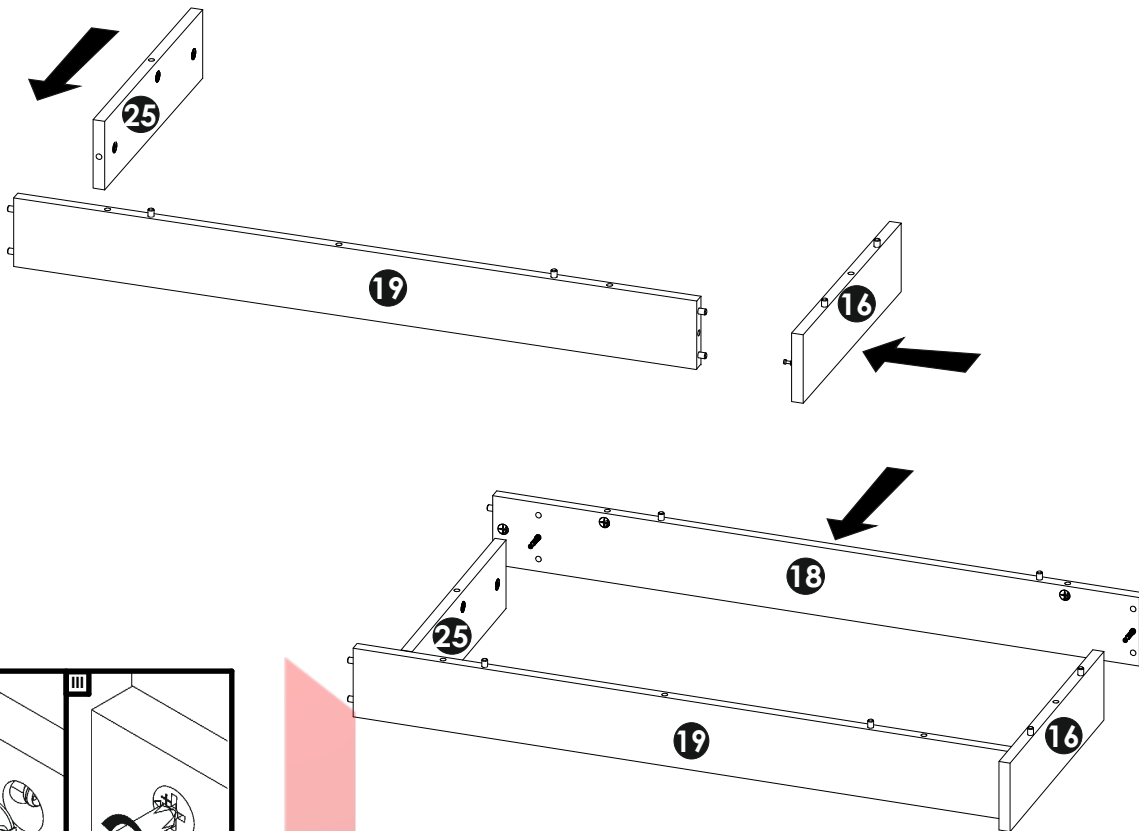
# 15



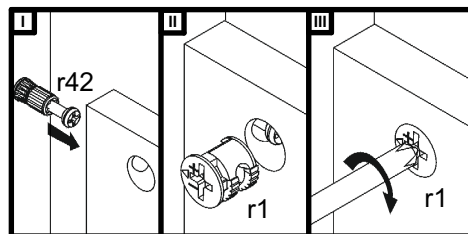
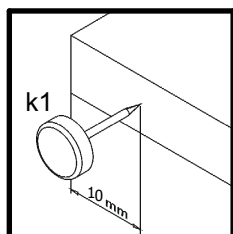
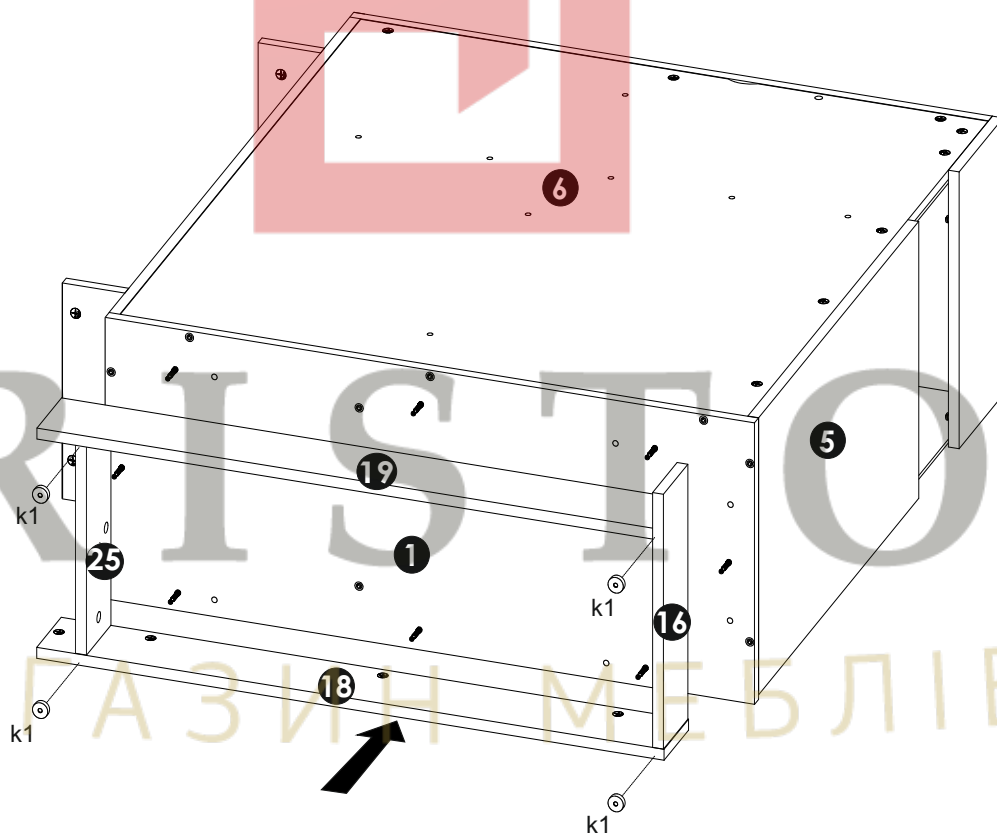
# 16



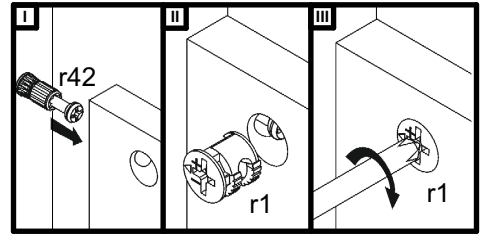
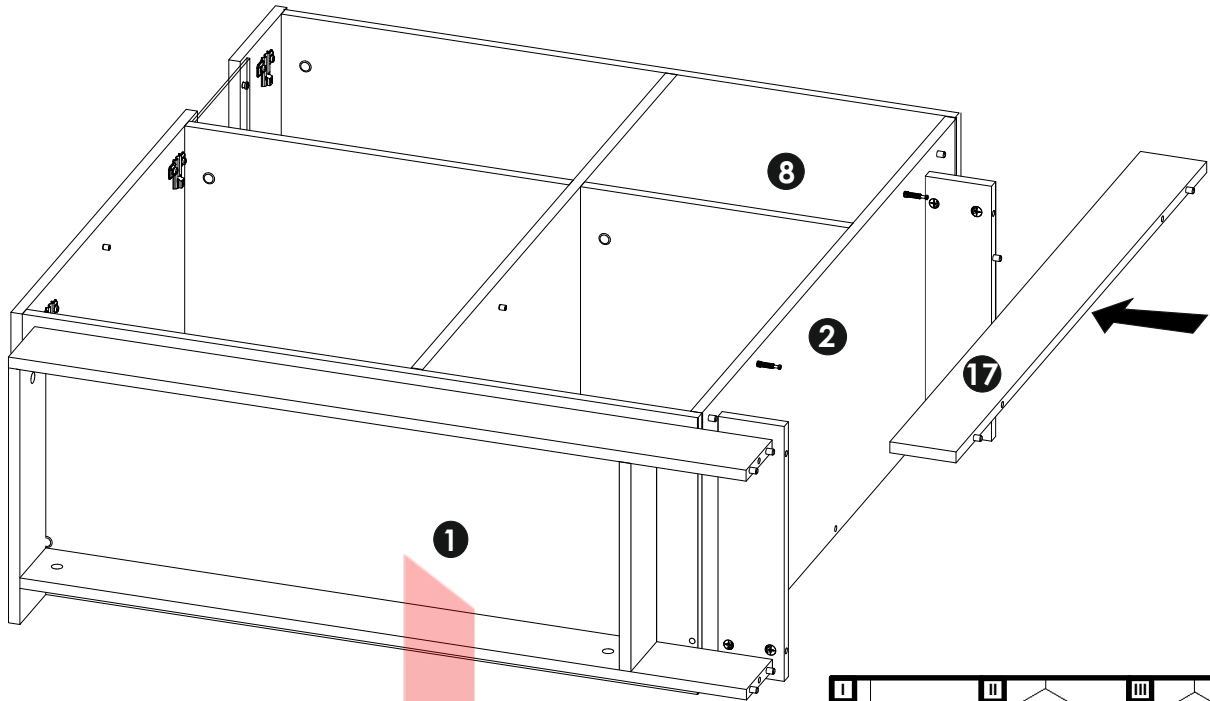
# 17



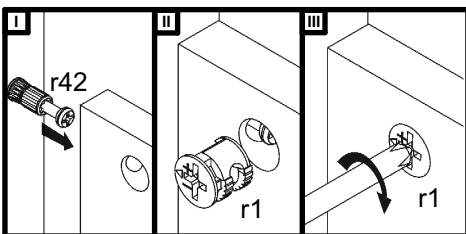
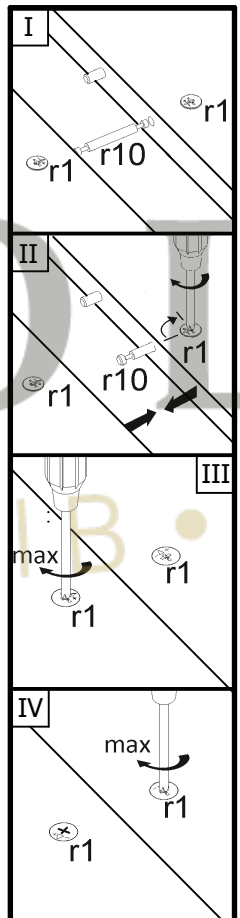
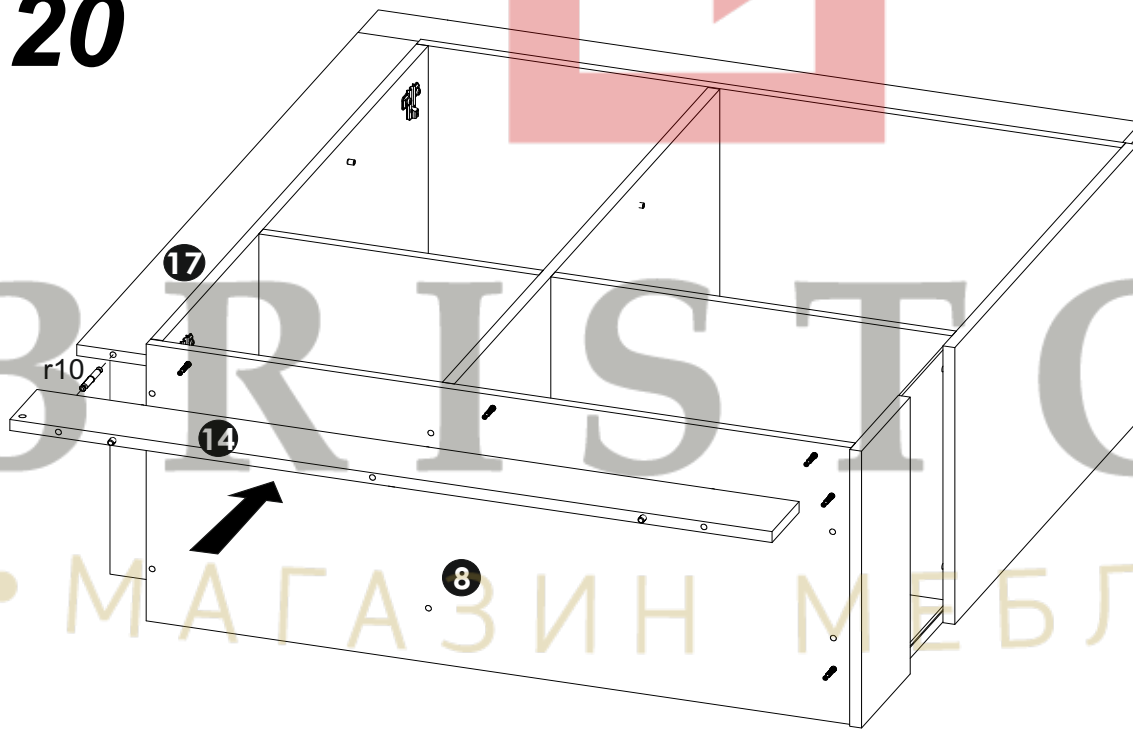
# 18



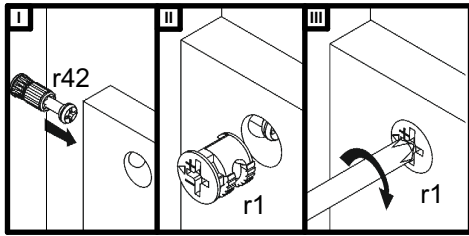
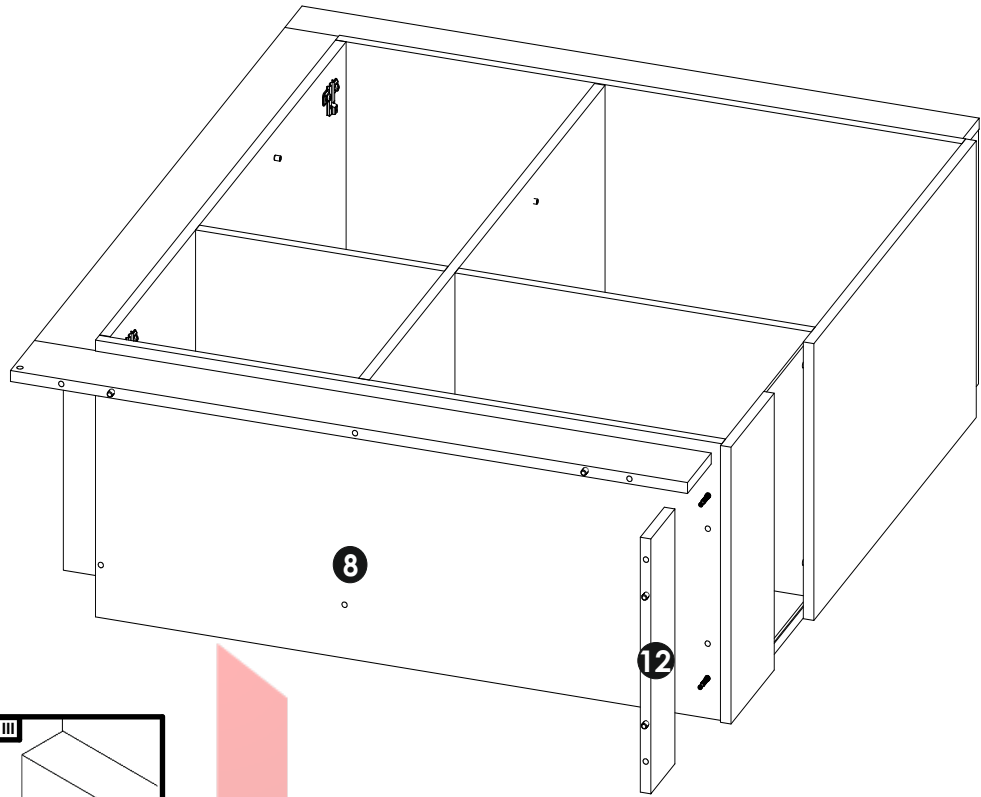
# 19



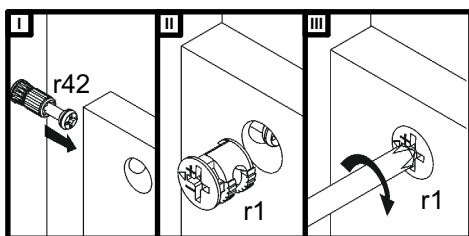
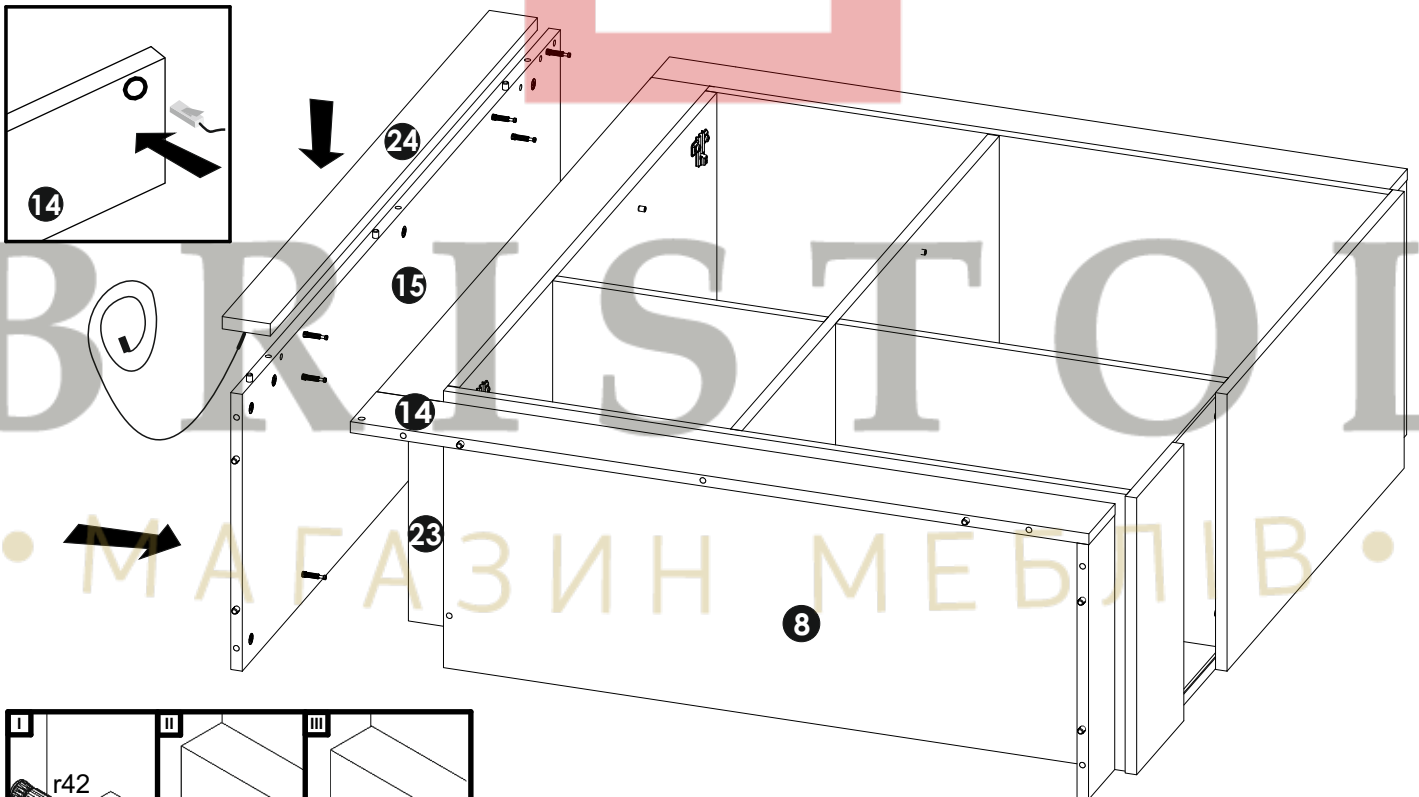
# 20



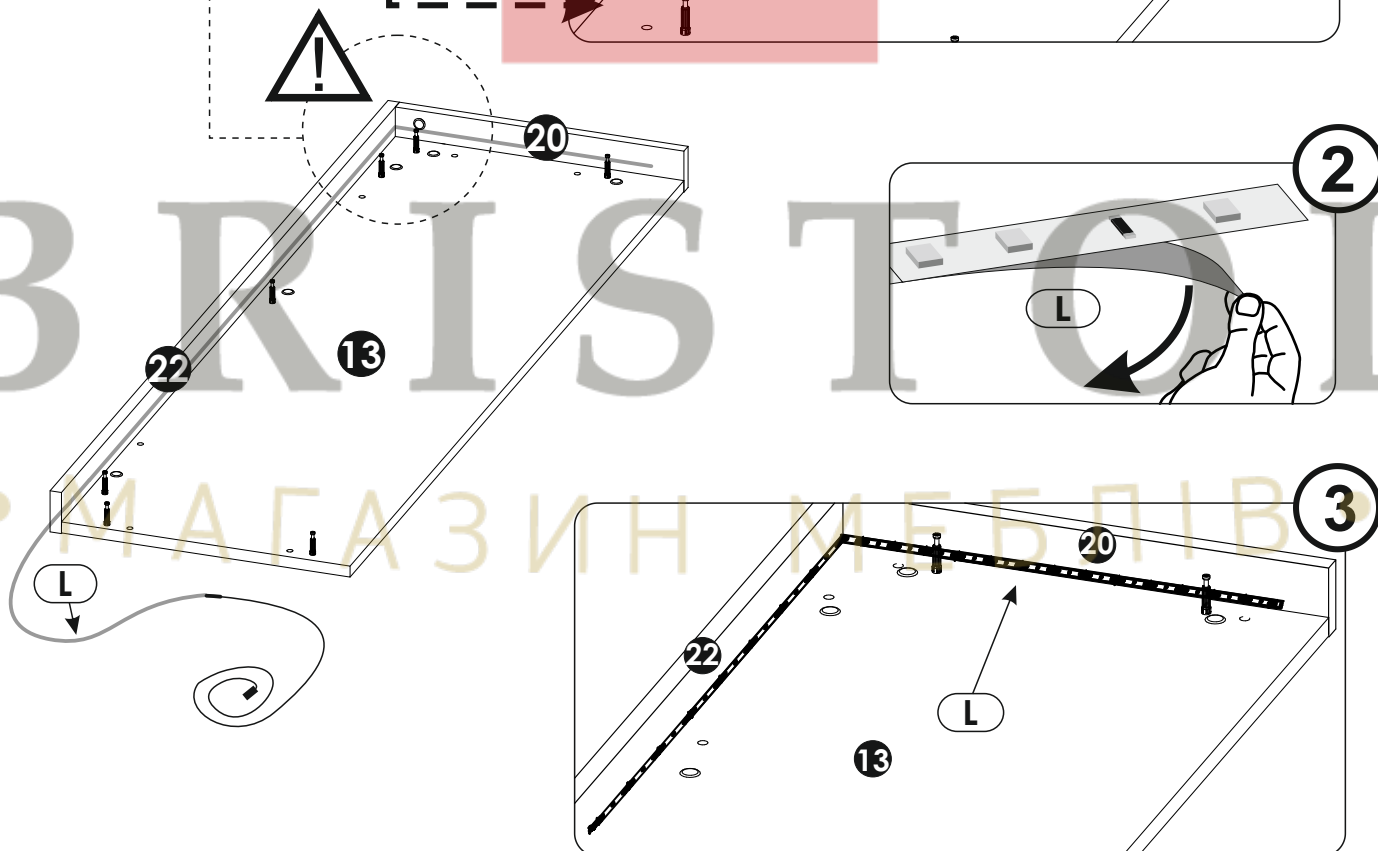
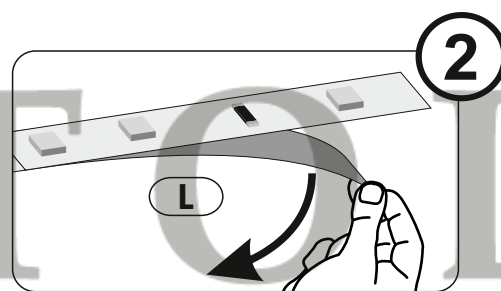
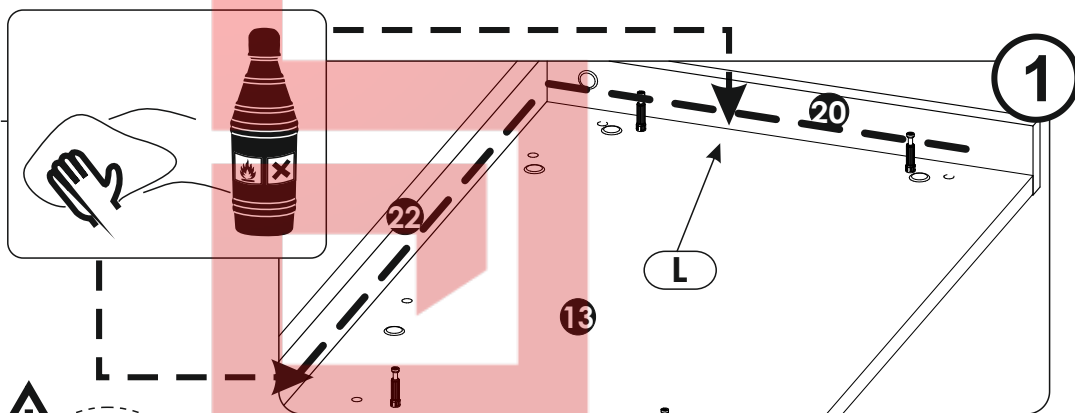
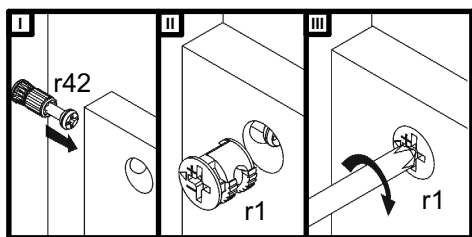
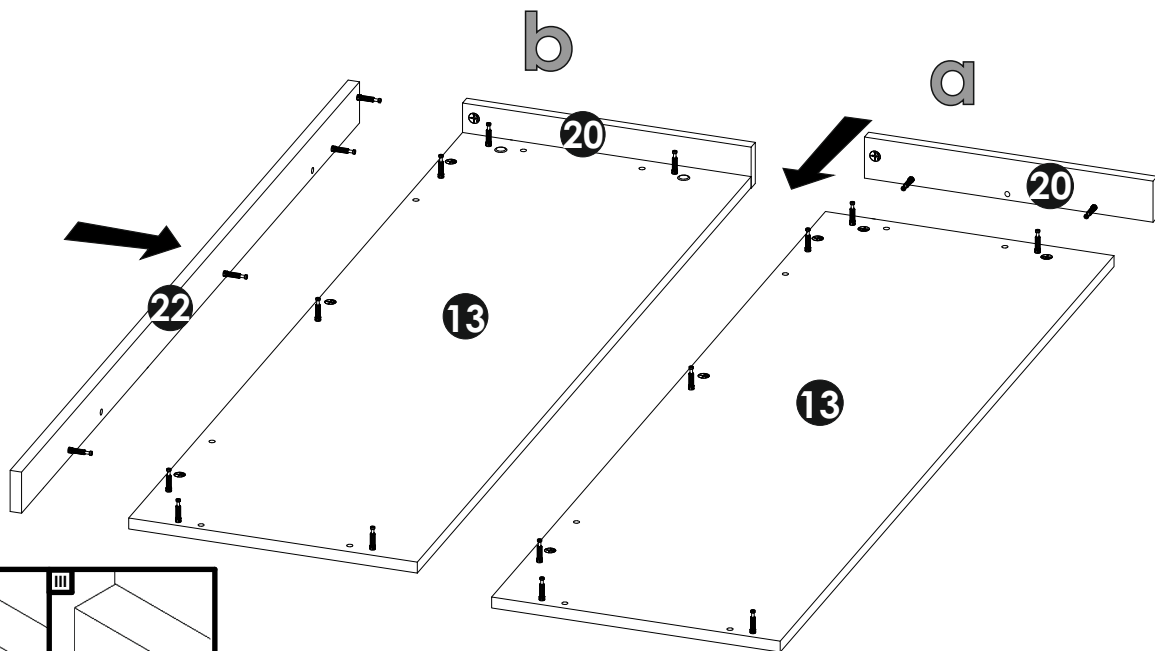
# 21



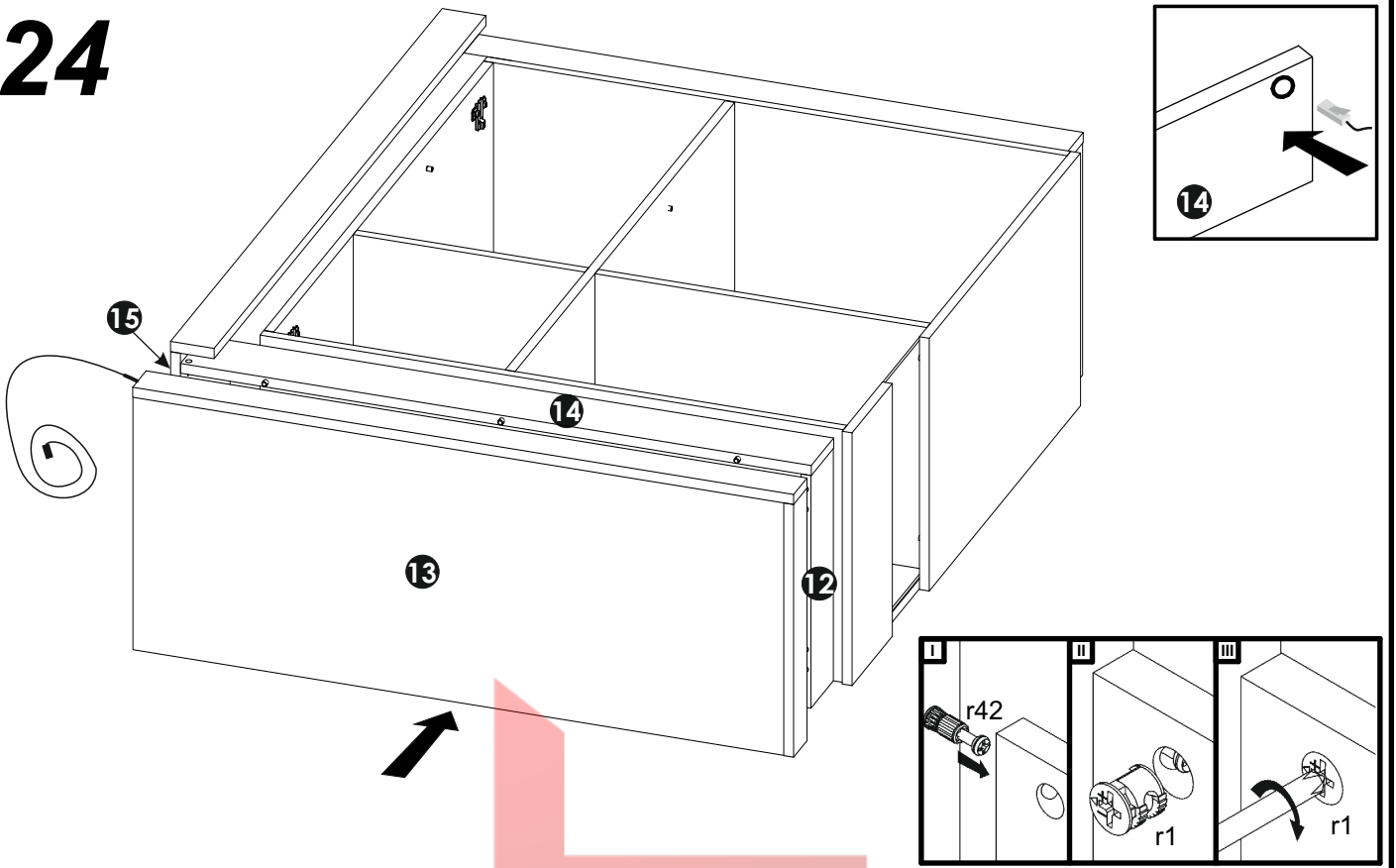
# 22



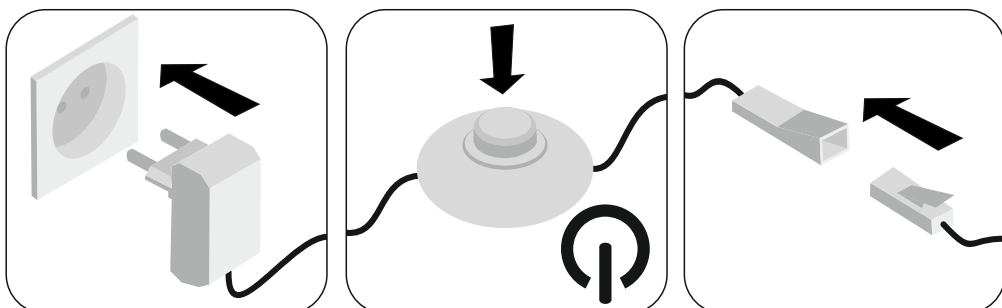
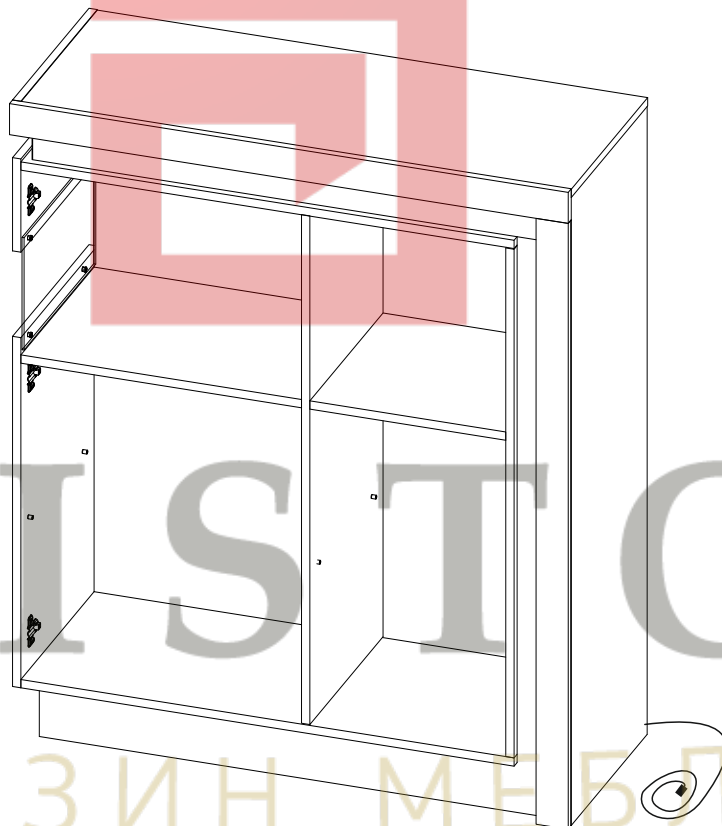
# 23



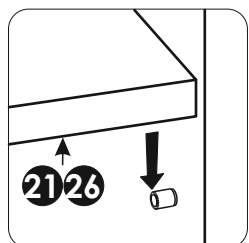
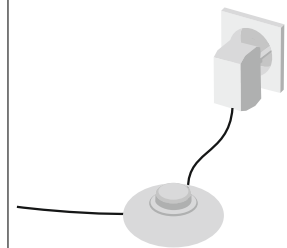
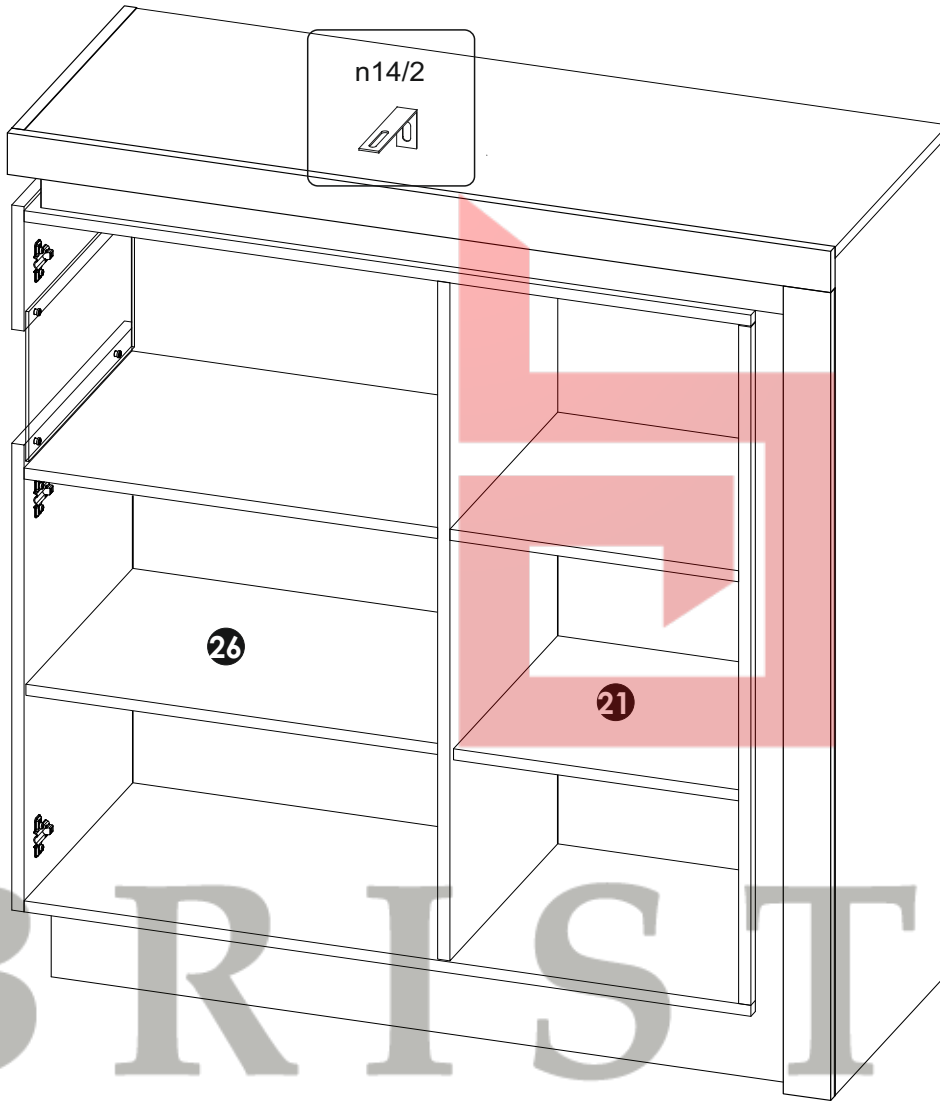
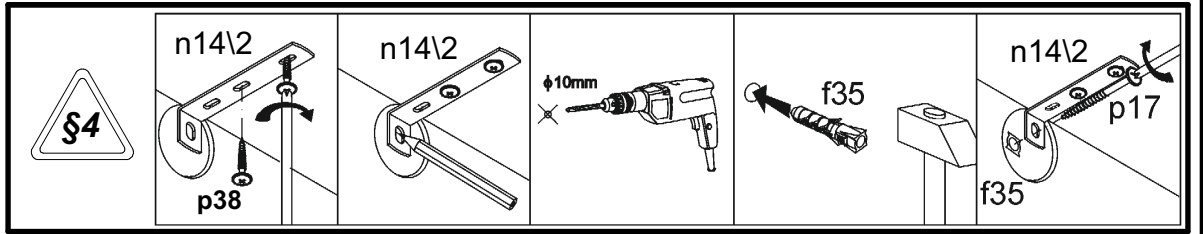
# 24



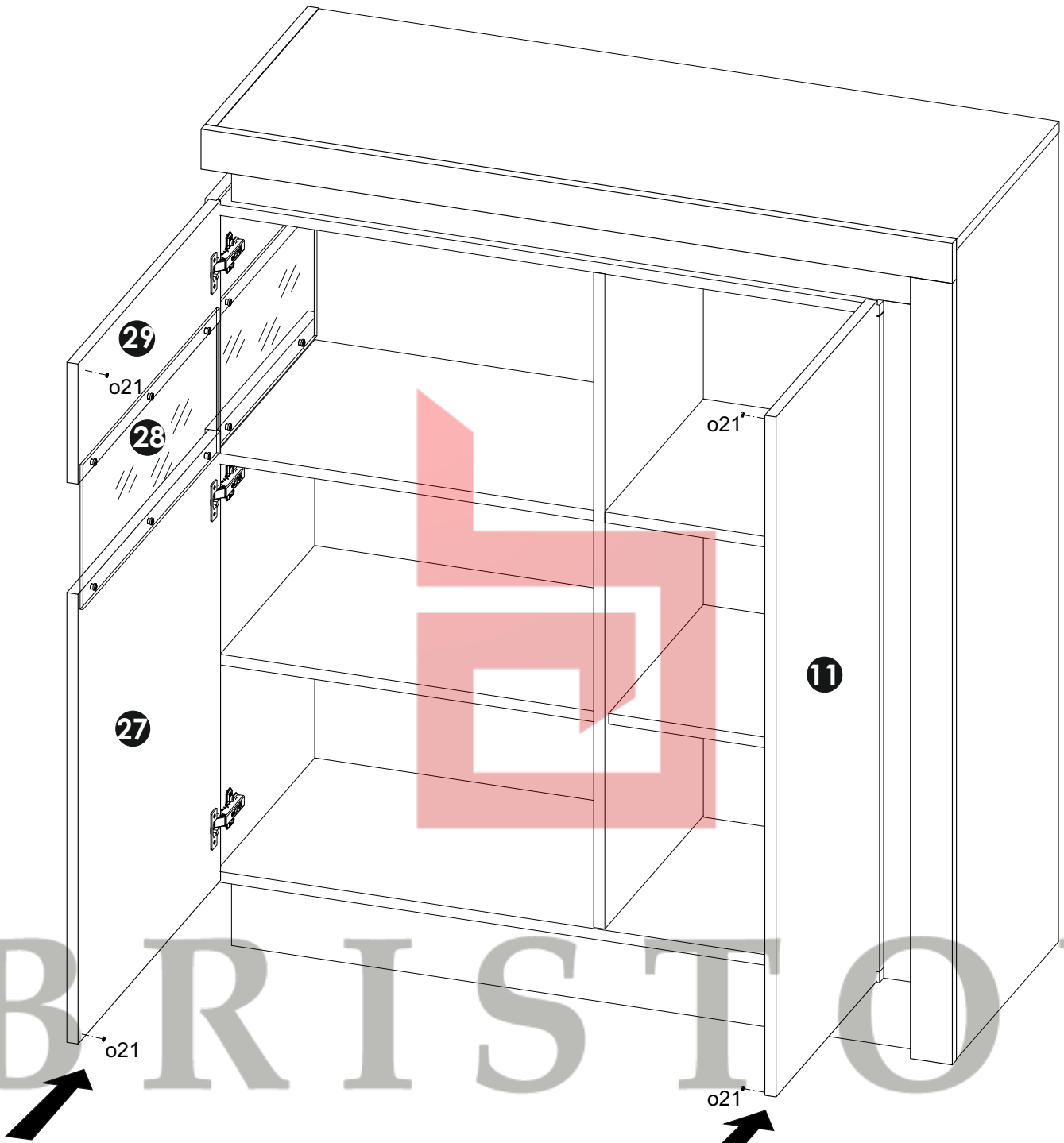
# 25



# 26



# 27



• МАГАЗИН МЕБЛІВ •

